

December 1, 1953

Page 1

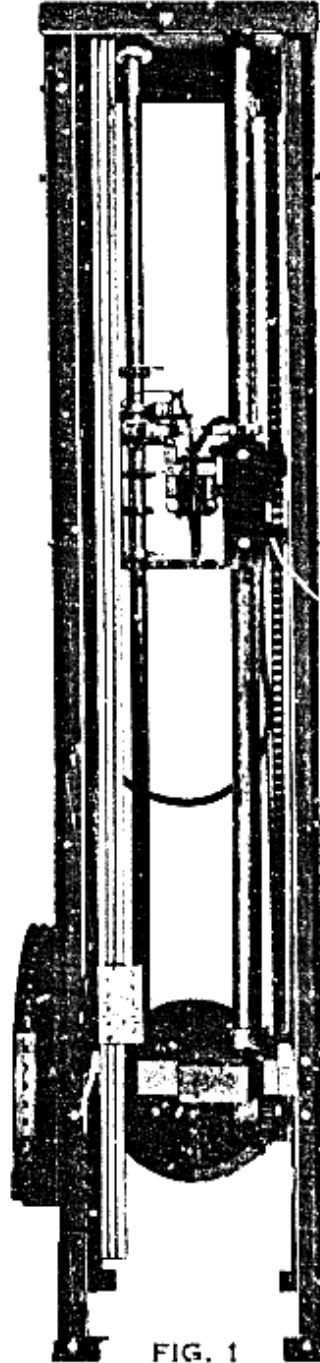
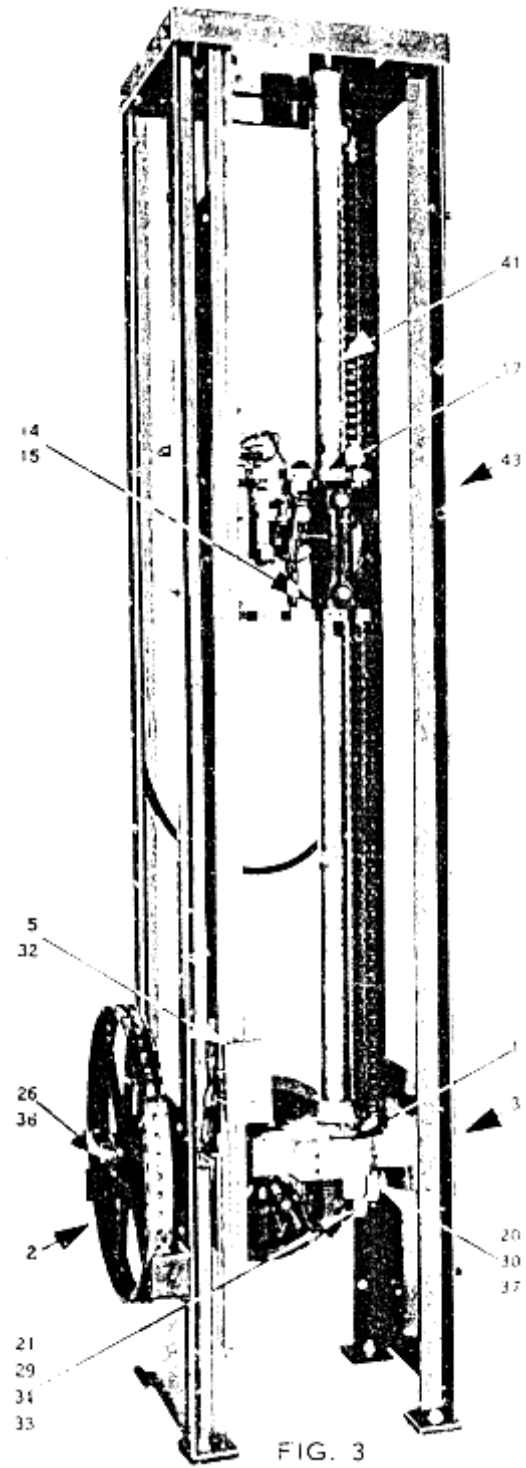
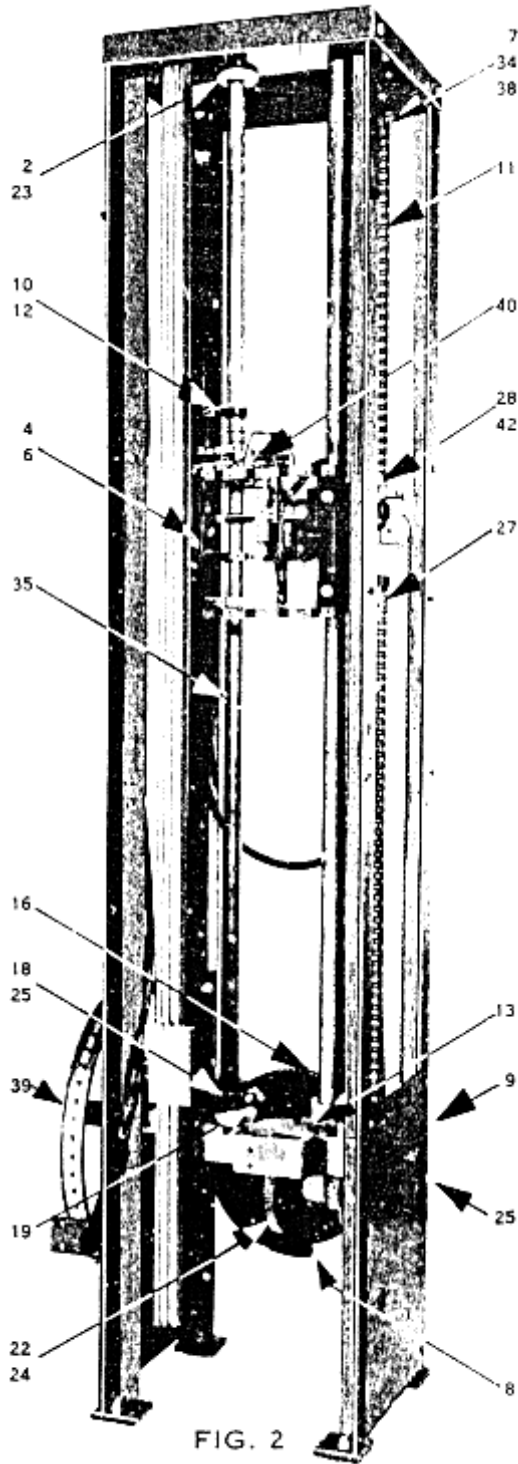


FIG. 1

FRONT VIEW
(COVER REMOVED)



C-987 - Type 6850AA Selector

Page 3

PARTS FOR TYPE 6850AA SELECTOR - FIG. 2 AND 3

ML 6850AA AND ORDER FORM 0-487

Ref. No.	Part No.	Quantity	Description
1	306DR1	1	Base, with Oil Hole Cover (for RH Selector)
1	306DR4	1	Base, with Oil Hole Cover (for LH Selector)
2 Arrow indicates location, the parts themselves not showing in the illustrations.	207Z3	3	Bearing, Ball, 19/32" ID (for Housing #396BC2 and Base)
3 Arrow indicates location, the parts themselves not showing in the illustrations.	207AN1	1	Bearing, Ball, 1-1/8" ID (for Base)
4	207Z31	1	Bearing, Ball (for Frame #374GG2)
5	303B1	1	Board, 10 Stud Terminal
6	65BH1	1	Bolt, Special, 1-1/8" long (for Frame #374GG2)
7	335H11	1	Bushing, Flanged, Oil-less, 5/8" ID, 7/8" OD, 1" long (for Sprocket #195CH2)
8 Arrow indicates location, the parts themselves not showing in the illustrations.	335H3	2	Bushing, Flanged, Oil-less, 3/4" ID, 1" OD, 5.8" long (for Shaft #494EV2)
9 Arrow indicates location, the parts themselves not showing in the illustrations.	335E3	1	Bushing, Straight, Oil-less, 3/4" ID, 1" OD, 1-7/16" long (for Gear #205C3)
10	327DE2	-	Cam
11	A332AH2	1	Chain, 3/8" roller width, 5/8" pitch, .400" roller diam., 121-7/8" long
12	336CM1	-	Clamp (for Cam #327DE2)
13	435AK1	1	Cover, Oil Hole (for Base)
14	348H1	1	Crosshead
15	435AF1	1	Cup, Oil (for Crosshead #348H1)
16	-	1	Drive, Indicator (for details see Page 4, Fig. 4)
17	374GG2	1	Frame, Crosshead Panel, with Bolt and Bearing
18	202BP1	1	Gear, Bevel, 40 teeth (for Shaft #A494ET2)

C-987 - Type 6850AA Selector

19	202BR1	1	Gear, Bevel, 54 teeth (for Shaft #494ES1, 3, 5, or 6)
20	201BS1	1	Gear, Spur Pinion, 23 teeth (for Shaft #494EV2)
21	205C3	1	Gear, Spur and Sprocket, with Bushing, Sprocket 12 teeth, Gear 40 teeth (for Pin <#77JX)
22	201BR1	1	Gear, Spur, 82 teeth (for Shaft #494EV2)
23	396BC2	1	Housing, Bearing (for Bearing #207Z3)
-	397Z1	1	Hub, Sprocket (for Sprocket #195AY1- See Fig. 5)
24	192D3	1	Key, 1/4" square, 1-1/4" long, one end round, steel (for Gear #201BR1)
25	192E20	2	Key, 1/4" square, 1-1/4" long, ends square, steel (for Shaft #A494ET2 and Shaft #494ES1, 3, 5 or 6)
26	192E25	1	Key, <1" square, 2" long, steel (for Shaft #494ES1, 3, 5 or 6)
27	288FZ1	2	Lever (for Chain)
28	67G8	2	Nut, 3/8" Elastic Stop (for Levers)
29	77JX1	1	Pin, 3/4" diam., 3-29/32" long (for Gear #205C3)
30	81AX4	1	Pin, Roll, 3/16" diam., 1-3/8" long (for Shaft #494EV2)
31	81AX5	1	Pin, Roll, 3/16" diam., 1-3/4" long (for Pin #77JX1)
32	102BL1	1	Plate, Marking (for Board)
33	172DE6	1	Ring, Retaining, external (for Pin #77JX1)
34	172DE9	1	Ring, Retaining, external (for Sprocket #195CH2)
35	A494ET2	1	Shaft, Cam, 1-1/8" diam., 59" long
36	494ES1	1	Shaft, Drive, 17" long (for RH Selector)
36	494ES3	1	Shaft, Drive, 17" long (for LH Selector)
36	494ES5	1	Shaft, Drive, 19-1/2" long (for RH Selector)
36	494ES6	1	Shaft, Drive, 19-1/2" long (for LH Selector)
37	494EV2	1	Shaft, with Gear and Pin
38	195CH2	1	Sprocket, Chain, 12 teeth, with Bushing
-	195AY1	1	Sprocket, Rim, 17 teeth (for Hub #397Z1 - See Fig. 5)
39	A195BR1	1	Sprocket, Tooth Tape, 52 teeth
40	-	1	Switch, Leveling (for details see Page 5, Fig. 6)
-	-	1	Tightener, Chain (for details see Page 4, Fig. 5)

C-987 - Type 6850AA Selector

41	A135AP5	1	Tube, 1-3/4" OD, 59-3/8" long
42	131P2	2	Washer, 7/16" ID, 1" OD, 5/16"
			thick, steel (for Levers)
43 <i>Arrow indicates location, the parts themselves not showing in the illustrations.</i>	488B2	1	Wick, 3" wide, 7-7/16" long, 1/8" thick, felt (for Crosshead)

C-987 - Type 6850AA Selector

Page 4

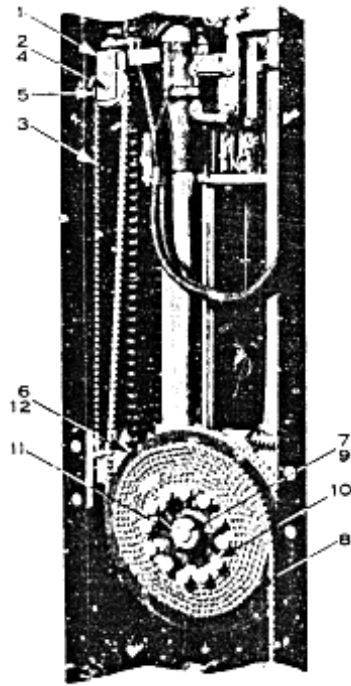


FIG. 4

PARTS FOR TYPE 6850Z INDICATOR DRIVE - FIG. 4
ORDER FORM 0-487

Ref. No.	Part or ML No.	Quantity	Description
1	316AVG2	1	Bracket, with Pulley and Pin
2	335E45	1	Bushing, Oil-less, 3/8" ID, 1/2" OD, 5/8" long (for Pulley)
3	A332AG1	1	Chain, 34-7/8" long, with rod
3	A332AG3	1	Chain, 51-3/8" long, with rod
3	A332AG6	1	Chain, 103-1/8" long, with rod
-	332AJ1	1	Chain, 43-7/8" long, with rod and rivet (not illustrated)
-	332AJ2	1	Chain, 59-5/8" long, with rod and rivet (not illustrated)
4	77JH1	1	Pin, 3/8" diam., 1" long (for Bracket)
5	198R2	1	Pulley, with Bushing
6	6833B3	1	Sheave, Indicator Chain, consisting of:
7			1 - Bushing, Oil-less, Flanged, 3/4" ID, 1" OD, 1-1/8" long (for Sheave) part #335H10
8			1 - Chain, 15 feet long part #332AE1
9			1 - Pin, 2-1/8" long part # 77JW1
10			12 - Pin, Rung, 1-7/16" long, steel part # 77KW1
11			1 - Ring, Retaining, external part #172DE6
12			1 - Sheave, Chain, with Bushing part #264B2

C-987 - Type 6850AA Selector

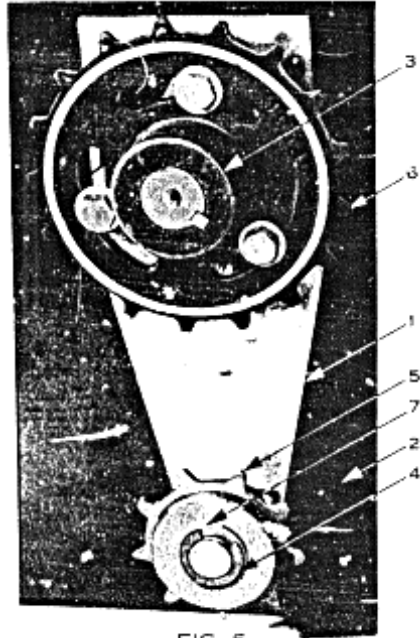


FIG. 5

PARTS FOR TYPE 6850P CHAIN TIGHTENER - FIG. 5
ML 6850P-

Ref. No.	Part No.	Quantity	Description
1	316AXH2	1	Bracket, with pin
2	335E46	1	Bushing, Oil-less, 3/4" ID, 1" OD, 7/8" long (for Sprocket)
3	397Z1	<i>These parts are used with the Chain Tightener, but are not a part of the above Material List.</i>	Hub, Sprocket
4	172DR3	1	Ring, Retaining
5	195AZ15	1	Sprocket, 9 teeth, with Bushing
6	195AY1	<i>These parts are used with the Chain Tightener, but are not a part of the above Material List.</i>	Sprocket, Rim, 17 teeth
7	127BA41	1	Washer, 49/64" ID, 1-1/4" OD, 1/16" thick, steel

C-987 - Type 6850AA Selector

Page 5

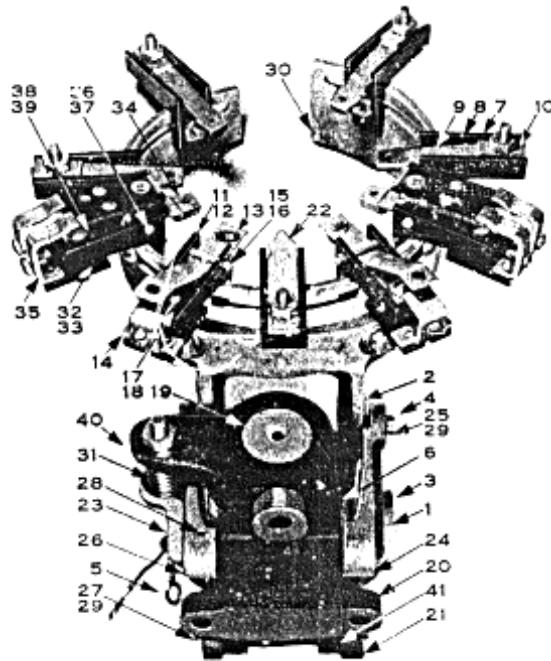


FIG. 6

PARTS FOR TYPE 6851A LEVELING SWITCH - FIG. 6
ML 6851A- AND ORDER FORM 0-487

Ref. No.	Part or ML No.	Quantity	Description
1	59AW1	2	Bolt, Special, Hex. Head (for Bracket to Frame #374GF2)
2	316AWM2	1	Bracket, with Bushings and Pins
3 Arrow indicates location, the parts themselves not showing in the illustration.	335E42	2	Bushing Oil-less, 1/4" ID, 3/8" OD, 1/4" long (for Bracket)
4 Arrow indicates location, the parts themselves not showing in the illustration.	335E41	2	Bushing, Oil-less, 5/16" ID, 3/8" OD, 1/4" long (for Links)
5 Arrow indicates location, the parts themselves not showing in the illustration.	339BL1	1	Clip, Coil, brass
6	See Note	1	Coil, Magnet
7	6839D1	4	Contact, Brush, each consisting of:

C-987 - Type 6850AA Selector

8			1 - Base, Contact part # 306CH1
9			1-Contact, Spring, carbon part # 154AD2
10			1 - Washer part # 131BA1
11	6839E1	2	Contact, Door Zone, each con- sisting of:
12			1 - Base, Contact part # 306CH2
13			1 - Contact, Spring, movable part # 150P30
14			1 - Contact, with base, station- ary part #A152AT1
15			1 - Pin, 1/8" diam., 3/4" long part # 77JR1
16			2 - Ring, Retaining part # 172ES1
17			1 - Spring, Flat part # 93BJ1
18			1 - Washer part #127XA14
19	400BB1	1	Core, Stationary
20	374FW1	1	Frame, Magnet
21	374GF2	1	Frame, with core
22	269R1	1	Indicator, Contact Setting
23	430BJ2	1	Link, with Bushing and Pin (Spring side)
24	430BH2	1	Link, with Bushing (Opposite side)
25	77HZ1	2	Pin, Shouldered, 3/4" long, steel (for Bracket #316AWM2)
26	79AA5	1	Pin, 5/16" diam., 2-1/2" long, brass (for Link #43CBJ2)
27	77JP1	1	Pin, 5/16" diam., 2-15/32" long, steel (for Frame #374FW1)
28	81AX2	2	Pin, Roll, 3/32" diam., 3/4" long (for Pin #79AA5)
29	172ES2	4	Ring, Retaining (for Pin #77JP1 and Pins #77HZ1)
30	172ER1	1	Ring, 4-3/8" ID, steel (for Bracket)
31	90YA19	1	Spring, Compression (for Link #430BJ2)
32	6839G1	2	Switch, Brush (Leveling) each consisting of:
33			1 - Base, Contact part # 306CH2
34			1 - Contact, Spring, movable part # 150F6
35			1 - Contact, with base, station- ary part # 152AR2
36			1 - Pin, 1/8" diam., 3/4" long part # 77JR1
37			2 - Ring, Retaining part # 172ES1

C-987 - Type 6850AA Selector

38			1 - Spring, Flat part # 93BJ2
39			1 - Washer part #127XA14
40 <i>Arrow indicates location, the parts themselves not showing in the illustration.</i>	129CA5	1	Washer, 1/4" ID, 1/2" OD, 1/16" thick, fibre
41	128AF49	2	Washer, 11/32" ID, 5/8" OD, .01" thick, brass

NOTE: When ordering, give part number, which will be found on Coil to be replaced; or give Sales and Serial Numbers of Selector and state that it is for the Leveling Switch.