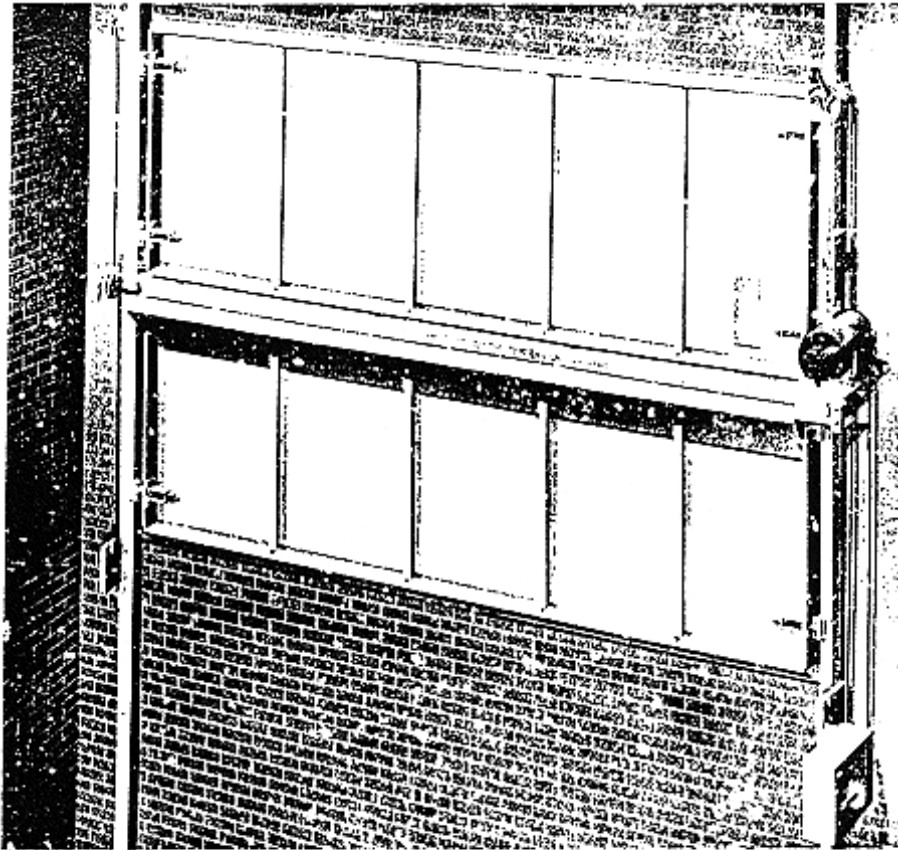


C-982A - Power Operated Vertical Bi-Parting Hoistway Doors

November 1, 1961

Page 1



A shaft-side view of an Otis power-operated door installation, showing motor (right) which drives doors to their fully opened and fully closed positions.
(See Parts Leaflet C-1023 for Manual Operated Doors)

C-982A - Power Operated Vertical Bi-Parting Hoistway Doors

Page 2

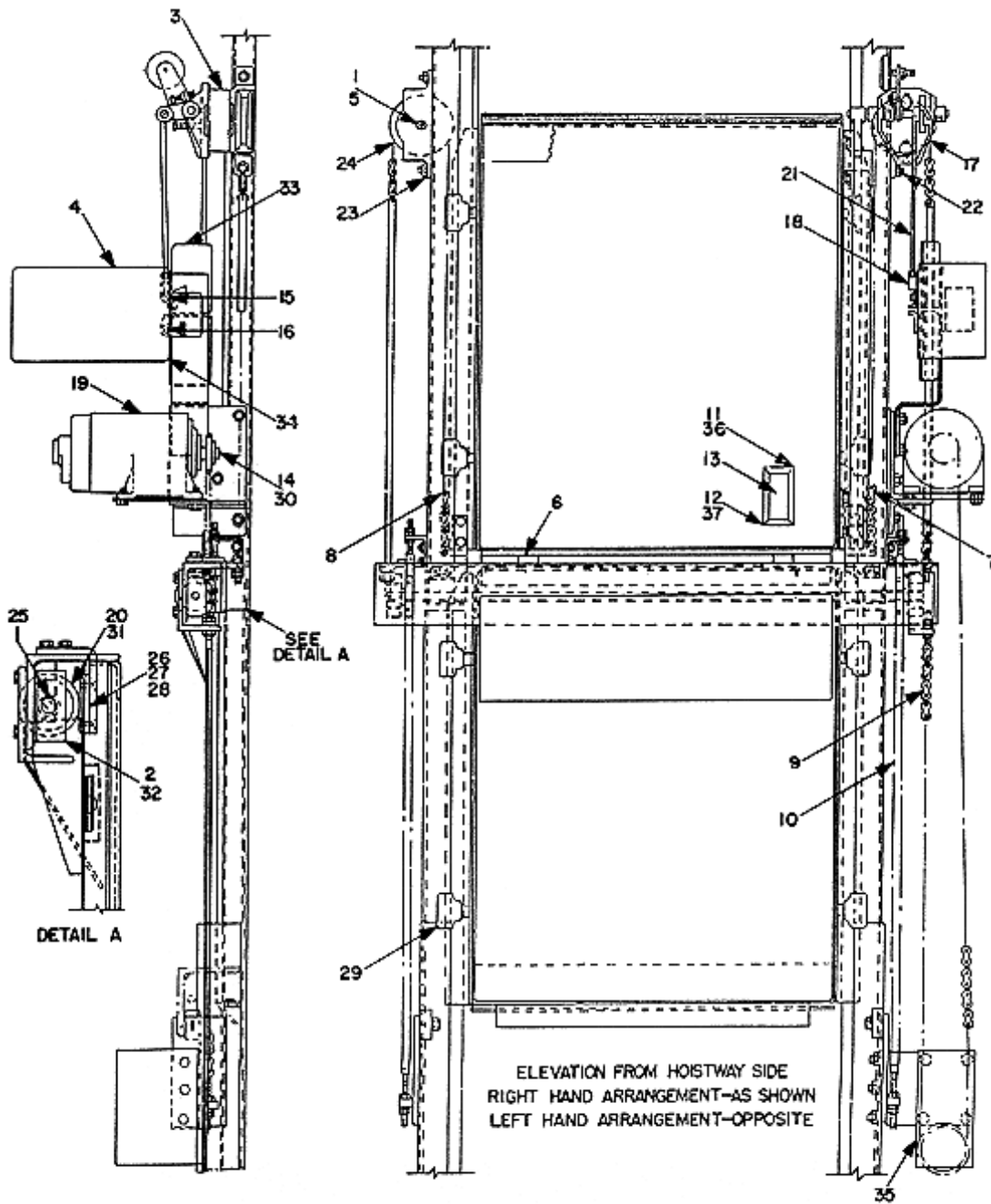


FIG. 1

C-982A - Power Operated Vertical Bi-Parting Hoistway Doors

Page 3

PARTS FOR VERTICAL BI-PARTING HOISTWAY DOORS POWER OPERATION - (FIG. 1)

ORDER FORMS: 0- 1109A, 0- 1109B, 0- 1109C, 0- 1109D AND 0- 1109-

Ref. No.	Part No.	Quantity	Description
1	207Z10	2	Bearing, Ball (for Roller part #456AS2)
2	209E1	4	Bearing, Roller (for Stand part #A472BB2)
<i>2 Arrow indicates location, the parts themselves not showing in the illustration.</i>			
3	310CK1	1	Block, 1-23/32" thick, 2" wide, 5-1/4" long (for Lock)
4	303B1	2	Board, 10 Stud Terminal
<i>4 Arrow indicates location, the parts themselves not showing in the illustration.</i>			
5	59AN1	2	Bolt, Shouldered, 1-15/16" long (for Roller part #456AS2)
-	6471A2	1	Box, Emergency Key, complete (for details see Fig. 9, Page 7)
6	320P2	4	Bumper, rubber, 1-1/2" diam.
7	-	1	Chain #6 - 2 x 3, steel cable, 5/8" pitch, with hitch, links and rod - specify length (for Pass Type)
8	-	1	Chain #6 - 2 x 3, steel cable, 5/8" pitch, with hitch, links and rod - specify length (for Pass Type)
7	-	1	Chain #6 - 2 x 3, steel cable, 5/8" pitch, with hitch, links and rod - specify length (for Regular Type)
8	-	1	Chain #6 - 2 x 3, steel cable, 5/8" pitch, with hitch, links and rod - specify length (for Regular Type)
9	-	1	Chain #41ASA Roller, 1/2" pitch, with links and rods - specify length
10	-	2	Chain, #41ASA Roller, 1/2" pitch, with links and rods - specify length
11	339CH1	2	Clip, Glass, 5" long (for Glass)
12	339CH2	2	Clip, Glass, 11-3/4" long (for Glass)
-	6694AF1	1	Device, Emergency Key, RH complete - for openings up to 9 feet (for details see Fig. 7, Page 7)
-	6694AF2	1	Device, Emergency Key, LH complete - for openings up to 9 feet (for details see Fig. 7, Page 7)

C-982A - Power Operated Vertical Bi-Parting Hoistway Doors

-	6694AF3	1	Device, Emergency Key, RH, complete - for openings from 9 feet 1/8 inch to 10 feet 9 inches (for details see Fig. 7, Page 7)
-	6694AF4	1	Device, Emergency Key, LH complete - for openings from 9 feet 1/8 inch to 10 feet 9 inches (for details see Fig. 7, Page 7)
13	443AF1	1	Glass (Vision Panel), wire glass, 5" wide, 13" long, 1/4" thick
14	192E48	1	Key, 3/16" square, 1-3/8" long (for Sprocket part #195AV3 and #195DJ2)
-	-	1	Latch, Fire, RH (Cam actuated Type) for details see Fig. 2, Page 4
-	-	1	Latch, Fire, LH (Cam actuated Type) for details see Fig. 2, Page 4
-	-	1	Latch, Fire, RH(Fusible Link Type) for details see Fig. 3, Page 5
-	-	1	Latch, Fire, LH(Fusible Link type) for details see Fig. 3, Page 5
15	430AN1	1	Link, Switch, with drilled hole (for Switch part #6098BJ3 or 4)
16	430AN2	1	Link, Switch, with drilled and tapped hole (for Switch part #6098BJ5 or 6)
17	6690D1	1	Lock, Door, RH complete (for Retiring Cam - for details see Fig. 4, Page 5)
17	6690D2	1	Lock, Door, LH complete (for Retiring Cam - for details see Fig. 4, Page 5)
18	432A1	1	Lug, (for Rod)
19	6333C7 For details see Fig. 10, Page 8.	1	Motor, Geared, 115 volts, DC, with Sprocket (12 teeth)
19	6333C3 For details see Fig. 10, Page 8.	1	Motor, Geared, 115 volts, DC, with Sprocket (16 teeth)
20	81AX18	2	Pin, Spring, 3/16" diam., 1-1/4" long (for Sprocket part #195AT2) see Detail "A"
20	81AX24	2	Pin, Spring, 3/8" diam., 1-3/4" long (for Sprocket part #195AT3) see Detail "A"
21	98AT2	1	Rod, with spacer, 1/4" diam., 10-5/8" long (for Lock)
22	6547B1	1	Roller, Chain, Type A, RH complete (for Regular Type)
23	6547B2	1	Roller, Chain, Type A, LH complete (for Regular Type)
22	6547B3	1	Roller Chain, Type B, RH complete (for Pass Type)
23	6547B4	1	Roller, Chain, Type B, LH complete (for Pass Type)

C-982A - Power Operated Vertical Bi-Parting Hoistway Doors

24	456AS2	2	Roller, with Ball Bearing (for Chain Rollers)
25	-	1	Shaft, 5/8" diam. (per Dwg. #494CC - specify length) (for Sprockets part #195AT2)
26	255EB31	4	Shim, 7/8" wide, 3" long, #28 Ga. thick (for Shoe part #470P1) see detail "A"
27	255EB32	6	Shim, 7/8" wide, 3" long, #22 Ga. thick (for Shoe part #470P1) see detail "A"
27	255EB34	6	Shim, 1-1/4" wide, 3" long, #22 Ga. thick (for Shoe part #470P1) see detail "A"
28	470P1	2	Shoe, Sprocket (see detail "A")
29	-	8	Shoe, Door Guide, complete (for details see Fig. 8, Page 7)
30	195DJ2	1	Sprocket, 12 teeth, with set screws (for Motor part #6333C7)
30	195AV3	1	Sprocket, 16 teeth, with set screws (for Motor part #6333C3)
31	195AT2	2	Sprocket, 17 teeth, 5/8" Bore (for Roller Chain)
31	195AT3	1	Sprocket, 17 teeth, 1-1/4" Bore (for Roller Chain)
32	A472BB2	4	Stand, Bearing, with Roller Bearings - see Detail "A" - (5/8" diam. Shaft)
33	6098BJ3 <i>For details see Leaflet C-919.</i>	1	Switch, Mechanical (for LH Door - used with Retiring Cam)
33	6098BJ9 <i>For details see Leaflet C-919.</i>	1	Switch, Mechanical (for LH Door - used with Retiring Cam)
34	6098BJ6 <i>For details see Leaflet C-919.</i>	1	Switch, Mechanical (for L.H. door - used with Retiring Cam)
33	6098BJ4 <i>For details see Leaflet C-919.</i>	1	Switch, Mechanical (for RH Door - used with Retiring Cam)
33	6098BJ10 <i>For details see Leaflet C-919.</i>	1	Switch, Mechanical (for RH Door - used with Retiring Cam)
34	6098BJ5 <i>For details see Leaflet C-919.</i>	1	Switch, Mechanical (for RH Door - used with Retiring Cam)
35	6706A1	1	Switch, Stopping (for details see Leaflet C-977)
36	393Y2	2	Trough, asbestos, 5" long (for Glass)
37	393Y1	2	Trough, asbestos, 12" long (for Glass)
-	485G1	1	Turnbuckle (for #6 - 2 x 3, chain)

NOTE (1): The quantities shown are for one door.

NOTE (2): When ordering any material for which part numbers are not shown, give the Sales Number, description and name of part.

C-982A - Power Operated Vertical Bi-Parting Hoistway Doors

Page 4

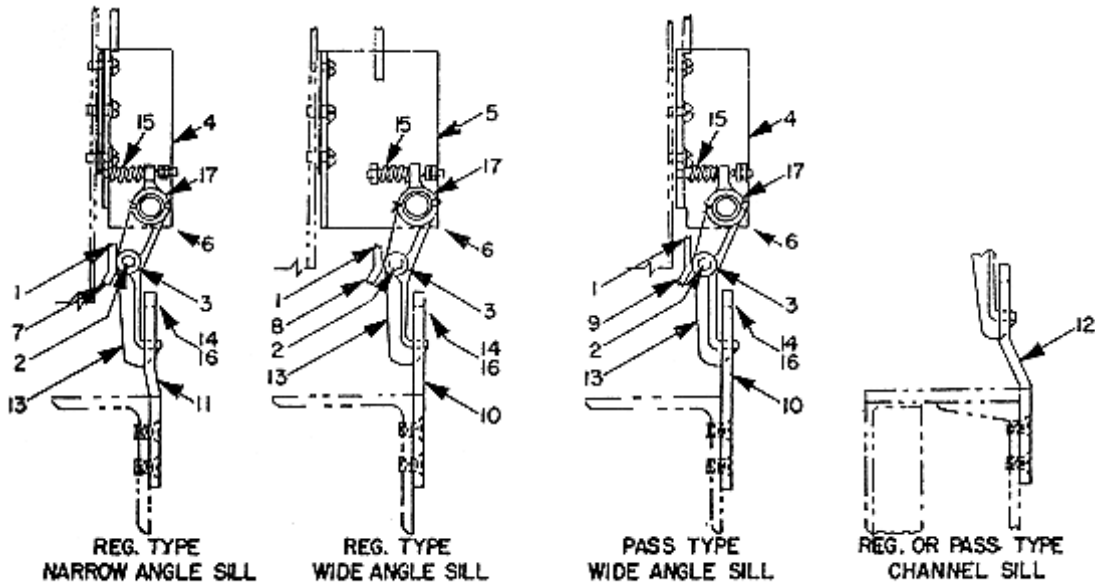


FIG. 2

PARTS FOR FIRE LATCH - (FIG. 2)
(POWER OPERATION)

ML 6694AT - AND ORDER FORM 0- 1109D5 AND 0- 1109-

Ref. No.	Part No	Quantity	Description
1	-	1	Bar, Lock (per Dwg. 299JH - Specify length)
2	207AS1	1	Bearing, Ball (for Bolt part #59E9)
3	59E9	1	Bolt, Shouldered, 1-3/8" long OA, steel
4	316BCX1	1	Bracket, RH (as shown) with Pin and Rod (for Regular Type Narrow Sill and Pass Type)
4	316BCX2	1	Bracket, LH, (opposite) with Pin and Rod (for Regular Type Narrow Sill and Pass Type)
5	316BCY1	1	Bracket, RH, (as shown) with Pin and Rod (for Regular Type Wide Sill)
5	316BCY2	1	Bracket, LH, (opposite) with Pin and Rod (for Regular Type Wide Sill)
6	335E58	1	Bushing, Straight, Oil-less, 3/4" ID, 7/8" OD, 7/8" long
6 Arrow indicates location, the parts themselves not showing in the illustration.			

C-982A - Power Operated Vertical Bi-Parting Hoistway Doors

7	A327EN5	1	Cam, Fire Latch, RH, 4-1/16" long (for Regular Type Narrow Sill)
7	327EN5	1	Cam, Fire Latch, RH, 4-7/8" long (for Regular Type Narrow Sill)
7	A327EN2	1	Cam, Fire Latch, LH, 4-1/16" long (for Regular Type Narrow Sill)
7	327EN2	1	Cam, Fire Latch, LH, 4-7/8" long (for Regular Type Narrow Sill)
8	A327EN6	1	Cam, Fire Latch, RH, 4-1/16" long (for Regular Type Wide Sill)
8	327EN6	1	Cam, Fire Latch, RH, 4-7/8" long (for Regular Type Wide Sill)
8	A327EN3	1	Cam, Fire Latch, LH, 4-1/16" long (for Regular Type Wide Sill)
8	327EN3	1	Cam, Fire Latch, LH, 4-7/8" long (for Regular Type Wide Sill)
9	A327EN4	1	Cam, Fire Latch, RH, 4-1/16" long (for Pass Type)
9	327EN4	1	Cam, Fire Latch, RH, 4-7/8" long (for Pass Type)
9	A327EN1	1	Cam, Fire Latch, LH, 4-1/16" long (for Pass Type)
9	327EN1	1	Cam, Fire Latch, LH, 4-7/8" long (for Pass Type)
10	41G1	1	Keeper (Plate) RH, (for Pass and Regular Type Wide Sill)
10	41G2	1	Keeper (Plate) LH, (for Pass and Regular Type Wide Sill)
11	41G3	1	Keeper (Plate) RH, (for Regular Type Narrow Sill)
11	41G4	1	Keeper (Plate) LH, (for Regular Type Narrow Sill)
12	41G5	1	Keeper (Plate) RH, (for Regular or Pass Type - Channel Sill)
12	41G6	1	Keeper (Plate) RH, (for Regular or Pass Type - Channel Sill)
13	331AJ2	1	Latch, RH (as shown) with Bearing, Bolt, Tube, Pin and Bushing
13	331AJ3	1	Latch, LH (opposite) with Bearing, Bolt, Tube, Pin and Bushing
14 Arrow indicates location, the parts themselves not showing in the illustration.	81AX2	1	Pin, Roll, 3/32" OD, 3/4" long (Latch to Bolt)
15	90EB8	1	Spring, Compression, 7/16" OD, 1-9/16" long, 10 active turns

C-982A - Power Operated Vertical Bi-Parting Hoistway Doors

16 Arrow indicates location, the parts themselves not showing in the illustration.	135AA15	1	Tube, 5/8" OD, 5/32" long, steel (for Latches part #331AJ2 and 3)
17	127BA41	1	Washer, 49-64" ID, 1-1/4" OD, 1/16" thick, brass plated

NOTE: Quantities are for one fire latch.

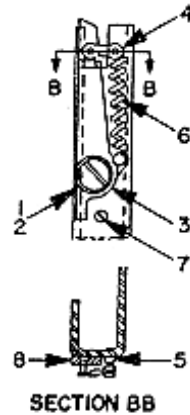


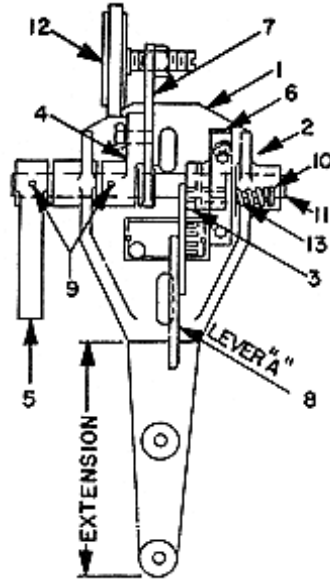
FIG. 3

PARTS FOR FIRE LATCH - (FIG. 3)

(FUSIBLE LINK TYPE)

Ref. No.	Part No.	Quantity	Description
1	59AP1	1	Bolt, Shouldered, 1-5/8" long
2	335E30	1	Bushing, Oil-less, 3/4" ID, 7/8" OD, 9/16" long
3	331W2	1	Latch, RH, with Pin and Bushing
3	331W4	1	Latch, LH, with Pin and Bushing
4	430BL1	1	Link, Fusible
5	77EP1	1	Pin, Shouldered, 15/16" long
6	91AD1	1	Spring, Extension, 5/8" OD, 2-7/8" long, 15 active turns
7	96A7	1	Stud, Stop, 3/8" diam., 3/4" long
8	129W12	1	Washer, 9/32" ID, 3/4" OD, 3/32" thick, fibre
<p><i>NOTE: The quantities shown are for one fire latch.</i></p>			

C-982A - Power Operated Vertical Bi-Parting Hoistway Doors



R. H. SHOWN
L. H. OPPOSITE

FIG. 4

PARTS FOR DOOR LOCK - (FIG. 4)

- ML 6690D1 - Type 6690A, without Extension, without Lever "A" - RH Illustrated
- ML 6690D2 - Type 6690A, without Extension, without Lever "A" - LH Opposite
- ML 6690D3 - Type 6690J, with Extension, without Lever "A" - RH Illustrated
- ML 6690D4 - Type 6690J, with Extension, without Lever "A" - LH Opposite
- ML 6690D5 - Type 6690A, without Extension, with Lever "A" - RH Illustrated
- ML 6690D6 - Type 6690A, without Extension, with Lever "A" - LH Opposite

Ref. No.	Part No.	Quantity	Description
1	A316AFG2	1	Bracket, with Bushings (without extension)
1	A316AFG4	1	Bracket, with Bushings (with extension)
2	335E49	2	Bushing, Oil-less, 5/8" ID, 7/8" OD, 1-9/32" long (for Brackets)
<i>Arrow indicates location, the part itself not showing in the illustration.</i>			
3	340R10	1	Collar, 19/32" ID, 7/8" OD, 1/2" thick
4	397P1	1	Hub, 5/8" bore
5	A288DM1	1	Lever, 5/8" bore (used with Bracket #A316AFG2)
5	288GN1	1	Lever, 5/8" bore (used with Bracket #A316AFG4)
6	288DR1	1	Lever, Rod (used with 1/4" diam. Rod)
6	288DR2	1	Lever (used with Lever "A")
7	288DP1	1	Lever, Roller
8	-	1	Lever "A" (Specify length - per Dwg. 288JK)
9	81AX18	3	Pin, 3/16" diam., 1-1/4" long (for Hub and Levers)
10	77AV5	1	Pin, Shouldered, 3/8" diam., 2-3/8" long OA
11	78FA8	1	Pin, 5/8" diam., 7-7/8" long
12	6037D2	1	Roller, with Bearing and Pin
13	90YA15	1	Spring, Compression

C-982A - Power Operated Vertical Bi-Parting Hoistway Doors

Page 6

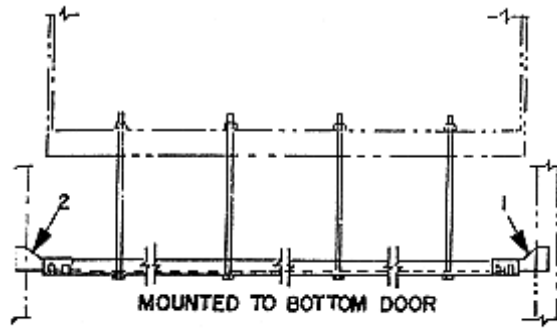
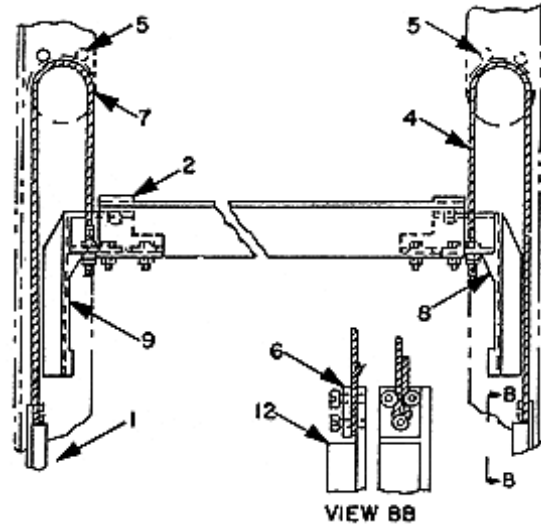


FIG. 5

LINTEL PARTS - (FIG. 5)

Ref. No.	Part No.	Quantity	Description
1	A237AH1	1	Shoe, Guide, RH
2	A237AH2	1	Shoe, Guide, LH

C-982A - Power Operated Vertical Bi-Parting Hoistway Doors



COUNTERBALANCED LINTEL - (FIG. 6)

(PASS TYPE DOORS)

ML 6694Z - AND ORDER FORMS 0-1109D5 AND 0-1109-

Ref. No.	Part No.	Quantity	Description
1 Arrow indicates location, the part itself not showing in the illustration.	320P1	2	Bumper, rubber, 3/4" diam.
2	320P2	2	Bumper, rubber, 1-1/2" diam.
3	B384HJ1	2	Guard, Weight, 3" long, steel
4	392AS1	2	Hitch, with 1/8" galvanized Aircord 7 feet 6" long OA
4	392AS2	2	Hitch, with 1/8" galvanized Aircord 9 feet 6" long OA
5	77AS2	4	Pin, Shouldered, 11/16" long OA, steel, zinc plated
6	386AKK2	2	Plate, Clamp, 1-1/8" wide, 1-7/16" long, 3/16" thick
7	265BB1	2	Sheave, Ball Bearing, 2-15/16" OD
8	A237AL1	1	Shoe, Guide, RH (Aircord fastened to bottom flange)
9	A237AL2	1	Shoe, Guide, LH (Aircord fastened to bottom flange)
10	B237AL1	1	Shoe, Guide, RH (Aircord fastened to lug on bottom flange)
11	B237AL2	1	Shoe, Guide, LH (Aircord fastened to lug on bottom flange)
12	-	2	Weight, Lintel, per Dwg. A344AK, R.H. as shown; LH opposite (Specify length)

C-982A - Power Operated Vertical Bi-Parting Hoistway Doors

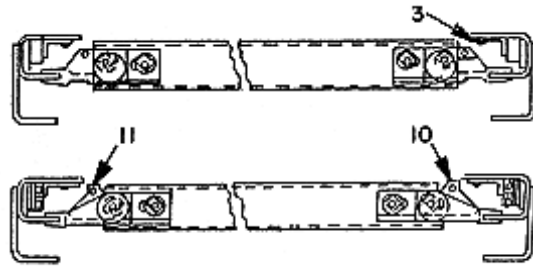
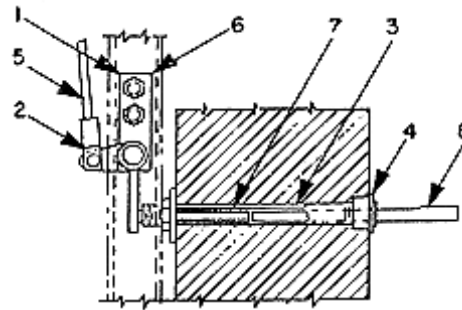


FIG. 6

C-982A - Power Operated Vertical Bi-Parting Hoistway Doors

Page 7



R. H. SHOWN
L.H. OPPOSITE

FIG. 7

PARTS FOR EMERGENCY KEY DEVICE - (FIG. 7)

ML 6694AF1 TO 4

Ref. No.	Part No.	Quantity	Description
1	316AYY2	1	Bracket, with Lever, Bushing, and Pin (for RH Device)
1	316AYY3	1	Bracket, with Lever, Bushing and Pin (for LH Device)
2	432A3	1	Lug, with Pin
3	377AY1	1	Pipe, 3/8" OD, 12-1/2" long
4	386HD3	1	Plate, Escutcheon
5	98AS1	1	Rod, 1/4" diam., 24" long
5	98AS2	1	Rod, 1/4" diam., 38" long
6	255EB30	1	Shim, 1-1/4" wide, 2" long, 3/16" thick
7	377PA10	1	Pipe, Spacer, 1/8" diam., 5" long
8	-	-	Key, Emergency (see Parts for Emergency Key Box)

C-982A - Power Operated Vertical Bi-Parting Hoistway Doors

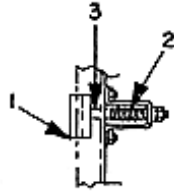


FIG. 8

PARTS FOR DOOR GUIDE SHOE

(FIG. 8)

Ref. No.	Part No.	Quantity	Description
1	A237AJ2	1	Shoe, Door Guide, with Clamp and Screws
2	90KC10	1	Spring, Compression, 1" OD, 3-1/4" long, 10 active turns
3	A96AJ1	1	Stud, Eccentric, 6-3/8" long

C-982A - Power Operated Vertical Bi-Parting Hoistway Doors

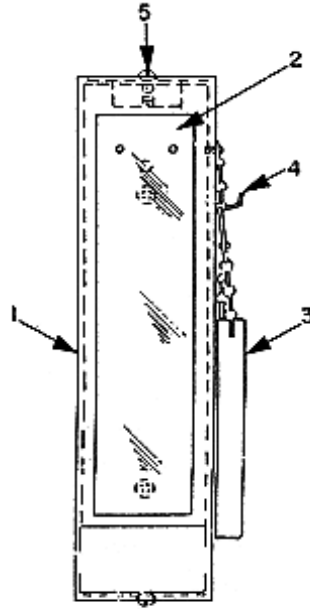


FIG. 9

PARTS FOR EMERGENCY KEY BOX - (FIG. 9)

ML 6471A2

Ref. No.	Part No.	Quantity	Description
1	346JG2	1	Cover, 11-1/2" long (Specify finish)
2	443J2	1	Glass, 1-5/8" wide, 11-5/16" long, 1/16" thick
3	387B1	1	Hammer, with Chain and Ring (Specify finish)
4	509D1	1	Hook (Specify finish)
-	194D2	1	Key, Emergency, 10-1/2" long (see Fig. 7)
5	-	2	Screw, Cross Slot Oval, Ctsk. Hd. Mach., #8-32, 1/2" long (Specify finish)

C-982A - Power Operated Vertical Bi-Parting Hoistway Doors

Page 8

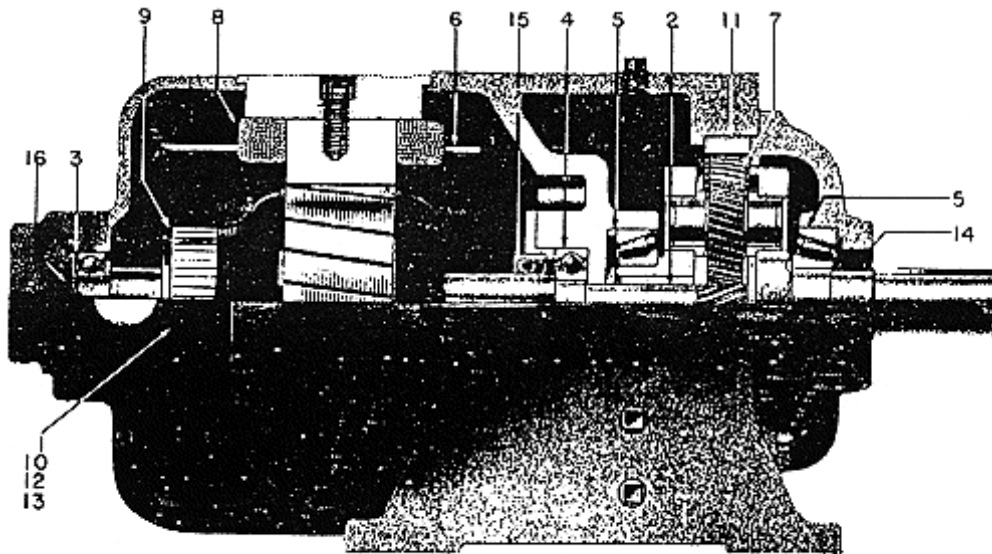


FIG. 15

G-E GEAR MOTOR - (FIG. 10)

Single Reduction Unit

Motor Model No. 5BC44AB2057

Gear Model No. 7GW120KY12

Ref. No.	Part No.	Quantity	Description
1	186132	2	Brush, carbon, 3/8" wide, 1/4" thick, 7/8" long, with pigtail and spring
2	<i>Not supplied for field repairs.</i>	1	Armature, with winding, shaft and commutator
3	<i>Not supplied for field repairs.</i>	1	Bearing, Ball (for commutator end)
4	<i>Not supplied for field repairs.</i>	1	Bearing, Ball (for motor end of gear housing)
5	<i>Not supplied for field repairs.</i>	2	Bearing, Roller (for inboard or outboard cage)
	<i>Not supplied for field repairs.</i>	6	Bearing, Spindle
6	<i>Not supplied for field repairs.</i>	1	Bolt, Clamping
	<i>Not supplied for field repairs.</i>	1	Cage
7	<i>Not supplied for field repairs.</i>	1	Cage, Planetary, assembly, consisting of cage, planetary gears, spindles, spindle washers and spindle bearing
8	<i>Not supplied for field repairs.</i>	1	Coil, Field (Set)

C-982A - Power Operated Vertical Bi-Parting Hoistway Doors

9 <i>Not supplied for field repairs.</i>		1	Commutator
10 <i>Not supplied for field repairs.</i>		2	Gasket (for cover plate)
- <i>Not supplied for field repairs.</i>		3	Gear, Planetary
11 <i>Not supplied for field repairs.</i>		1	Gear, Ring
12 <i>Not supplied for field repairs.</i>		2	Holder, Brush
13 <i>Not supplied for field repairs.</i>		2	Plate, Cover (for Brush)
14 <i>Not supplied for field repairs.</i>		1	Seal (for outboard shaft)
15 <i>Not supplied for field repairs.</i>		1	Slinger, Oil
- <i>Not supplied for field repairs.</i>		3	Spindle
- <i>Not supplied for field repairs.</i>		6	Washer, Spindle
16 <i>Not supplied for field repairs.</i>		1	Washer, Spring