

215DT Machine

Spare Parts Leaflet

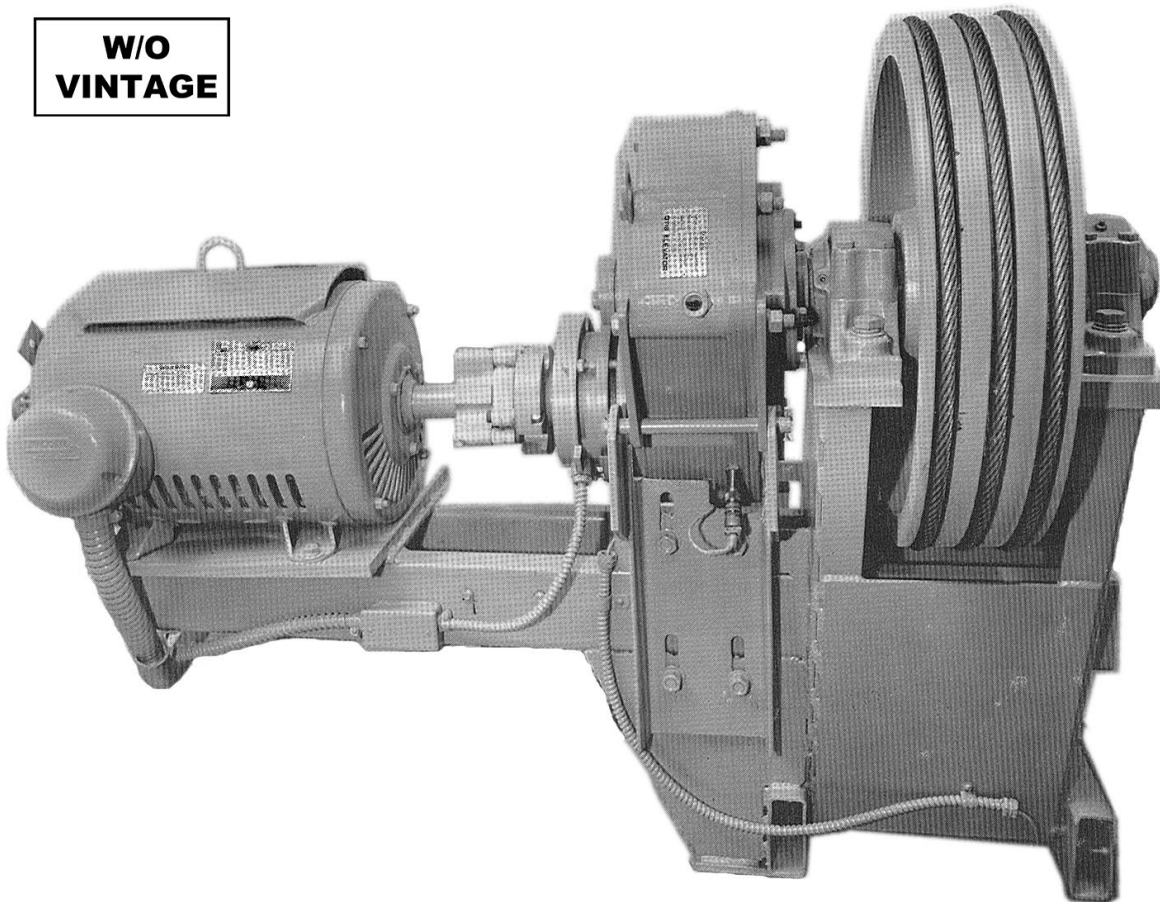
C-3069

October 16, 2024 / Page 1 of 13

OBSOLESCENCE NOTICE

The product listed in this SPL is obsolete. Some components may still be available, but Otis recommends an upgrade (see TIP 32.2-1 for potential upgrade).

**W/O
VINTAGE**



OTIS

This document does not contain any technical data subject to EAR or ITAR

SERVICE ENGINEERING
Otis Elevator Company
Bloomfield, Connecticut USA

Unpublished Work—© Otis Elevator Co.; 2024

Leaflet Description

Leaflet Revisions

Date Revised	Subject Matter Expert	Reason for Revision
April 1, 1983	Jeff Costley (Technical Writer)	New SPL.
December 4, 2008	Jesse Richter	Update p. 10 encoder part number. Bring SPL up to current standard.
October 16, 2024	Juan Murillo	Added Obsolete stamp on page 1.

Related Drawings

Drawing No.	Title	Drawing No.	Title
A7575AK	Arrangement, Foundation Plan with Sound Isolation, Geared 215DT Machine	7575AJ	Arrangement and Assembly 215DT Geared Machine

Related Documents

Document ID	Title
---	--

Subject Matter Expert

Name	Department
Juan Murillo	OSC Service Engineering

About Spare Parts Leaflets...

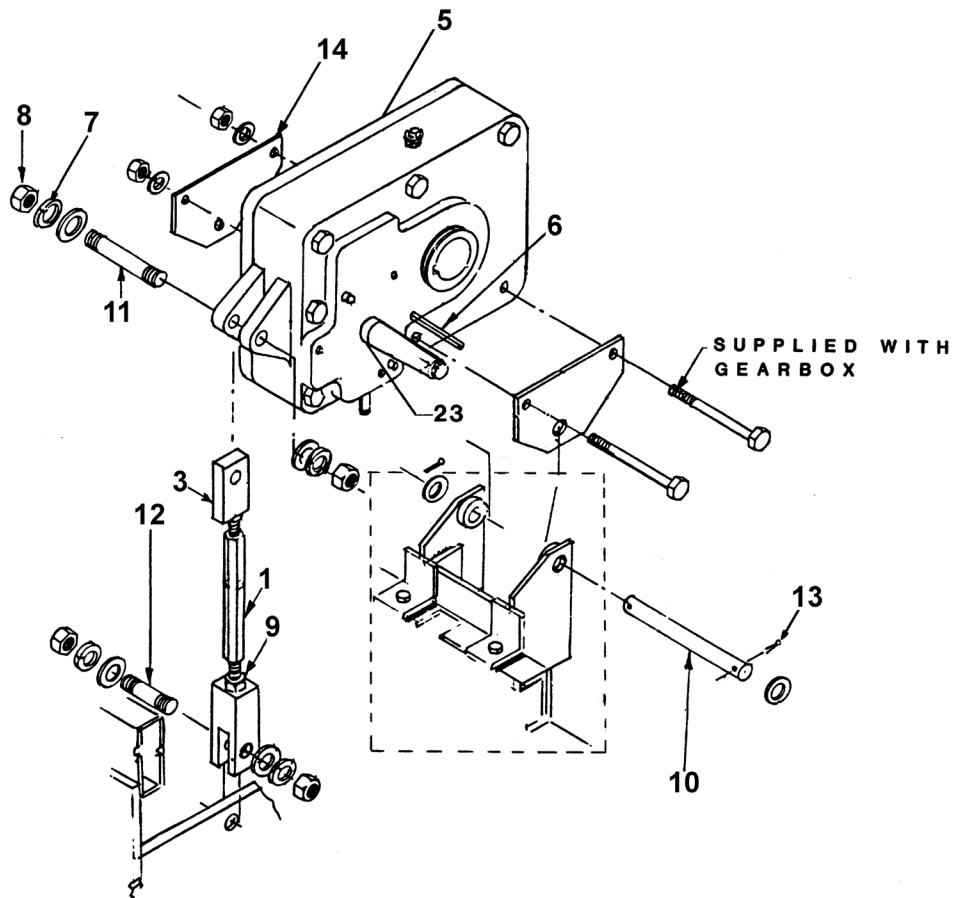
This document lists the lowest replaceable units (LRUs) for the standard version of the product. The LRUs are chosen by a team of Otis associates representing engineering and manufacturing.

While goal of this document is to make parts identification as easy as possible, the document cannot be all-inclusive. Elevator and escalator contracts classified as “special” or “custom” are not addressed here. For such contracts, please refer to specified information, the contract folder, TIPS, Field Education Articles, Construction Letters, etc. for further information.

If you have any suggestions about this document, please contact the subject matter expert listed on this page.

Gearbox Assembly

C-3069

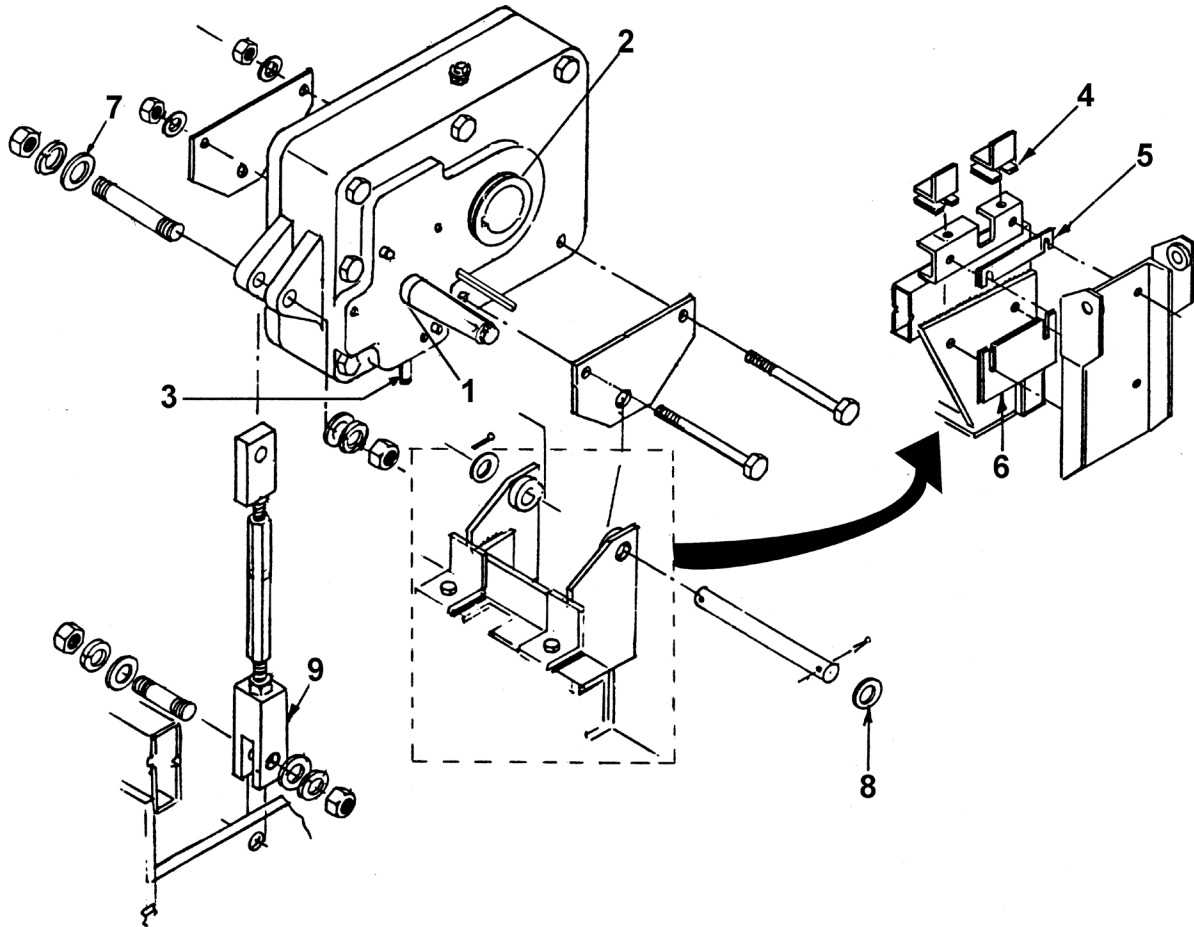


W/O VINTAGE		
REF. No.	PART No.	DESCRIPTION
1	98EW3	Arm, torque
2	BTFH 5/8-18X1/2CP	Bolt (arr. 1, 2, and 3) Not Shown
3	338AV1	Clevis
4	CONN 41010	Connector (Arr. 4 only) Not Shown
5	7575B5 7575B6	Gear Box
6	192Y5	Key
7	130F30	Lockwasher, Spring
8	NUT FH5/8	Nut
9	NUT FH3/4-16	Nut
10	82A85	Pin
11	81DJ1	Pin
12	81DJ2	Pin
13	--	Pin, Cotter, 5/32 x1-1/2 in. L
14	A386BRV1	Plate

Continued on Next Page

Gearbox Assembly

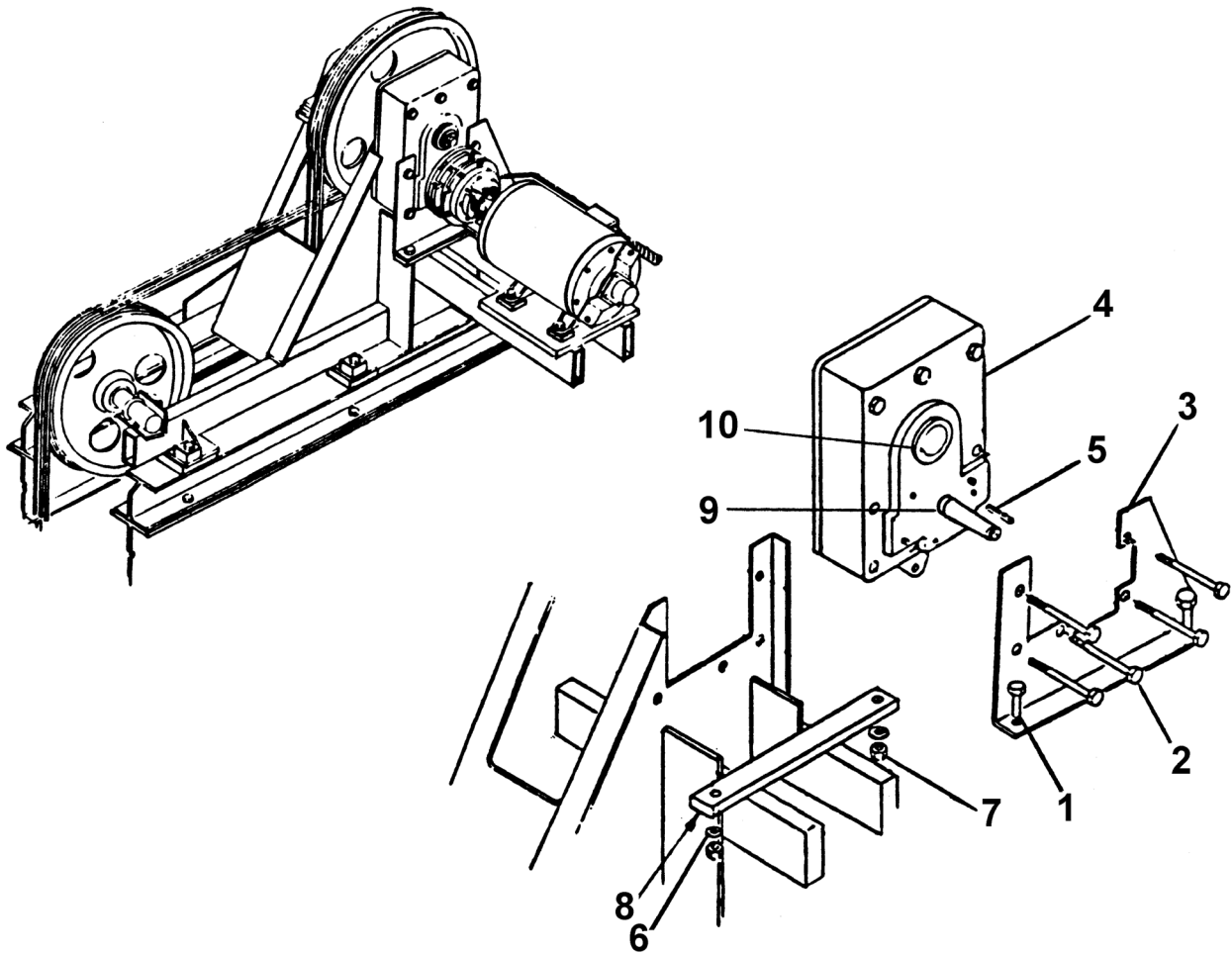
C-3069



W/O VINTAGE		
REF. No.	PART No.	DESCRIPTION
1	7575B/19301(AW)	Seal, Oil (high speed shaft)
2	7575B/36740(AWH)	Seal, Oil (low speed shaft)
3	SENSOR 725989	Sensor (Arr. 4 only)
4	255AB152	Shim, .0149
	255AB153	Shim, .0299
	255AB154	Shim, .0598
5	255VA28	Shim, .0149
	255VA29	Shim, .0299
	255VA30	Shim, .0598
6	255VA31	Shim, .0149
	255VA32	Shim, .0299
	255VA33	Shim, .0598
7	WSR SAE5/8	Washer
8	1SAEWASHER	Washer
9	492AV1	Yoke, Mounting

Type 7575AJ Gearbox Assembly

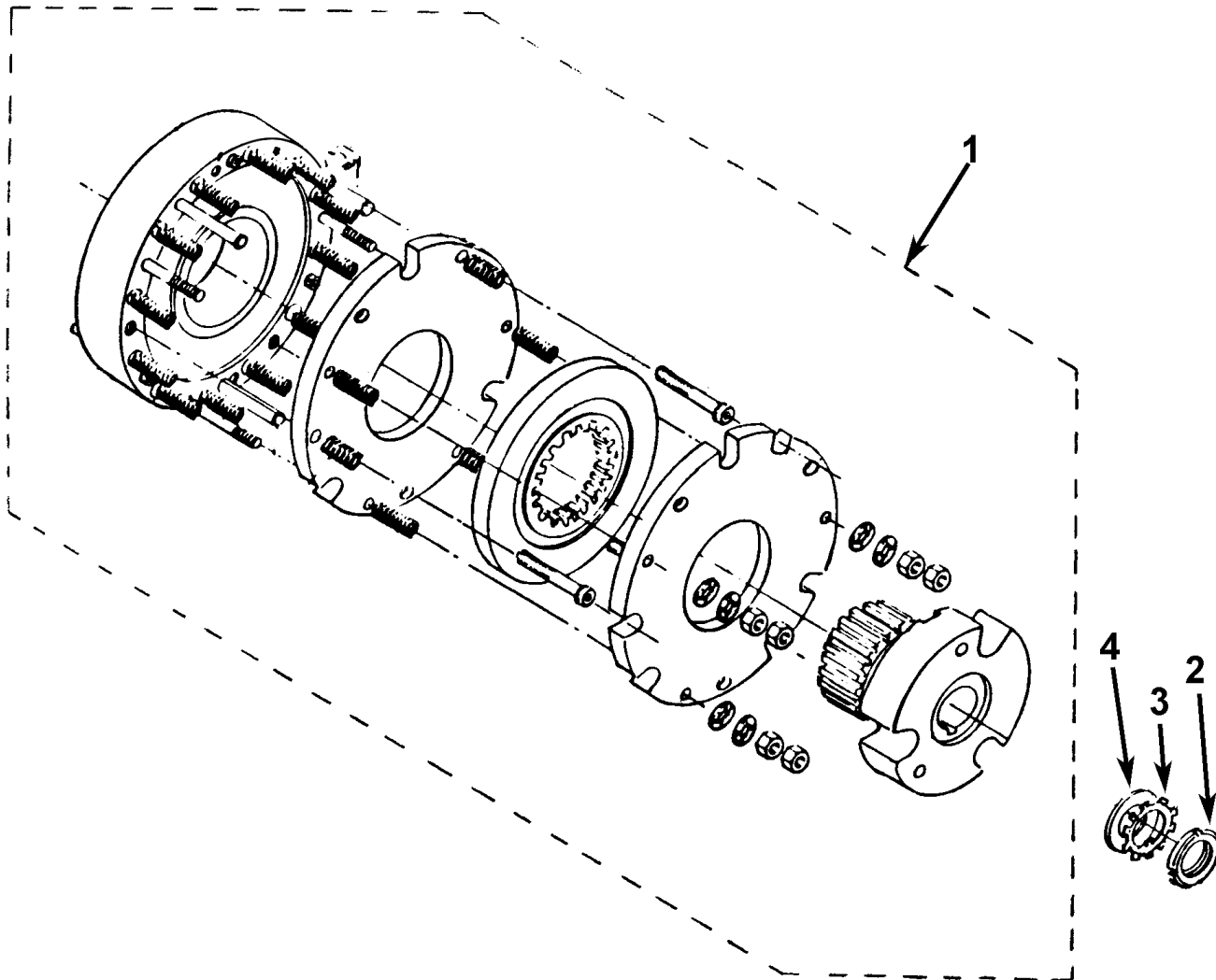
C-3069



W/O VINTAGE		
REF. No.	PART No.	DESCRIPTION
1	BTFH 5/8X2-1/2A325TYPE1	Bolt, 5/8 x 2-1/2 in. L
2	BTFH 5/8X7-1/2A325TYPE1	Bolt, 5/8 x 7-1/2 in. L
3	316DRY1	Bracket
4	7575B5 7575B6	Gearbox
5	192Y5	Key
6	130F30	Lockwasher, Spring
7	NUT FH5/8	Nut
8	386BEL28	Plate
9	7575B/19301(AW)	Seal, Oil (high speed)
10	7575B/36740(AWH)	Seal, Oil (low speed)

Type 7575AN Brake Assembly

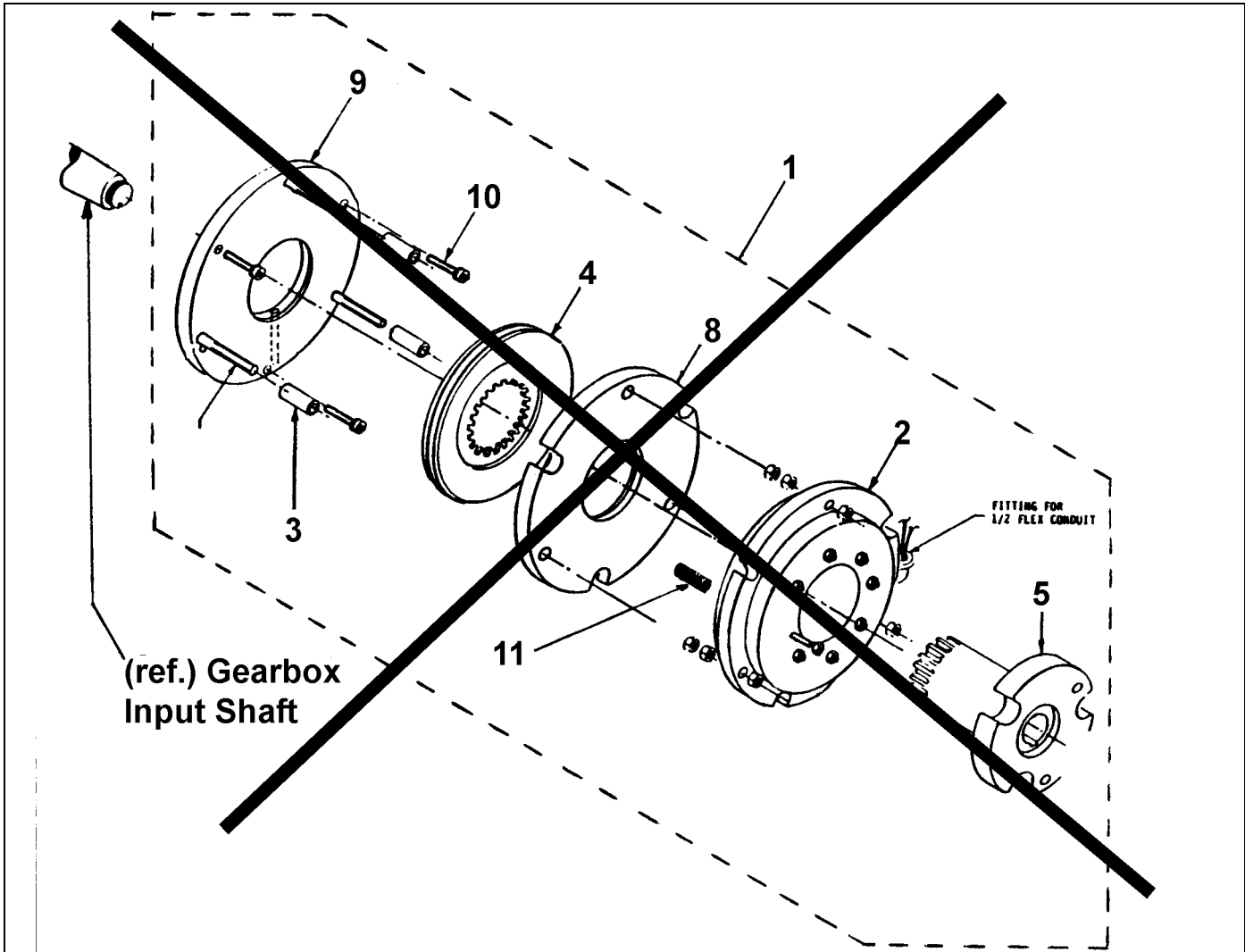
C-3069



W/O VINTAGE		
REF. No.	PART No.	DESCRIPTION
1	7575AN1	Brake Assembly Complete
2	72BV9	Locknut
3	130AA7	Lockwasher
4	127VB153	Washer

Type 7575P Brake Assembly

C-3069

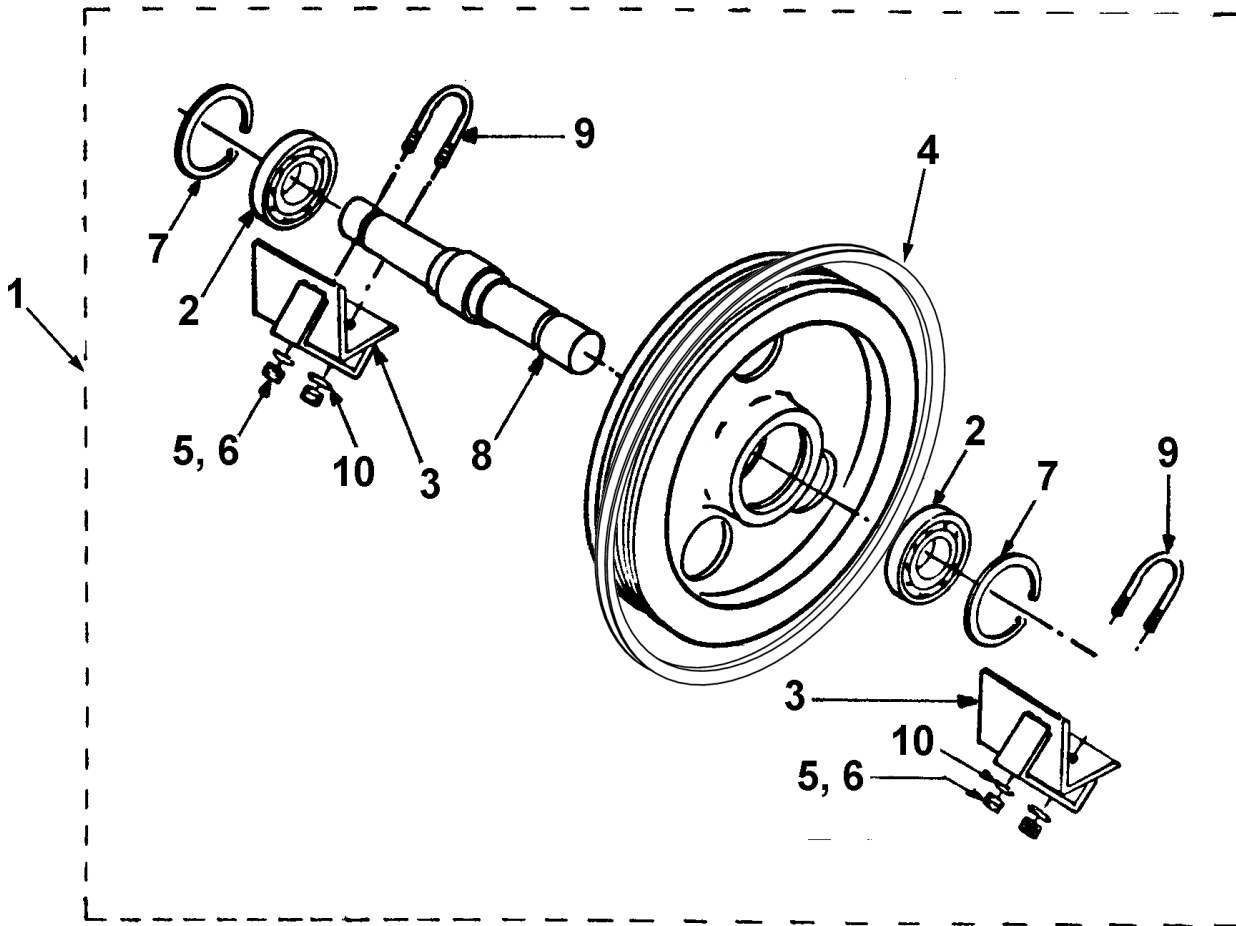


REF. No.	W/O VINTAGE PART No.	DESCRIPTION
1	7575P1	Assembly, Brake Complete
2	7575P/D-389302	Assembly, Coil
3	---	Bushing
4	7575P/D-389143	Disc, Friction
5	7575P/D-389144	Hub
8	7575P/D233784	Plate, Armature
9	7575P/D-389142	Plate, Pressure
10	---	Screw, Hex Soc. Cap, 5/16 x 1 in.
11	7575P/D-233775	Spring

7575AP1 (Ogura) brake assembly and parts no longer available. For replacement, order complete 7575AN1 (Hilliard) brake assembly (see pg 6).

Type 7575AG Deflector Sheave Assm.

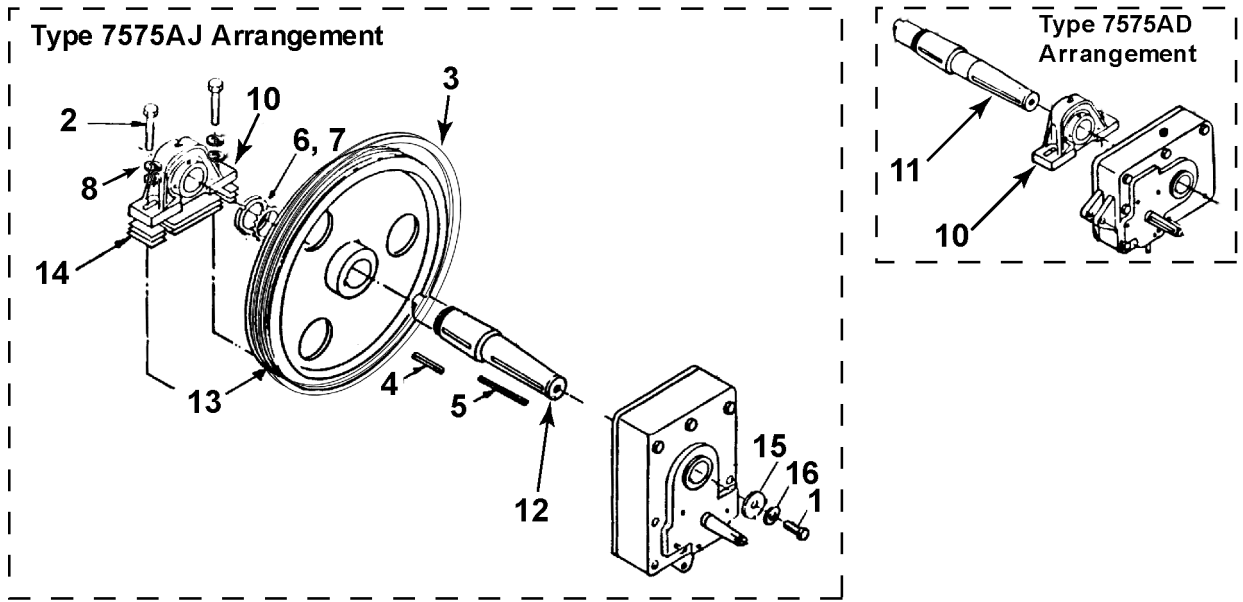
C-3069



W/O VINTAGE		
REF. No.	PART No.	DESCRIPTION
1	7575AG2	Assembly, Deflector Sheave, 22-1/2 in. \varnothing , Four 1/2 in. Ropes
	7575AG1	Assembly, Deflector Sheave, 25 in. \varnothing , Three 5/8 in. Ropes
2	207Z90	Bearing
3	316DPH1	Bracket
4	251BT21	Insert, Sheave (for 22 in. sheave)
	251BV12	Insert, Sheave (for 25 in. sheave)
5	NUT FHJ1/2CP	Nut
6	NUT FH1/2CP	Nut
7	172PM20	Ring, Retaining
8	495DJ2	Shaft
9	63EF12	U-Bolt
10	WSR SAE1/2CP	Washer, Flat

Types 7575AJ and AD Drive Sheaves

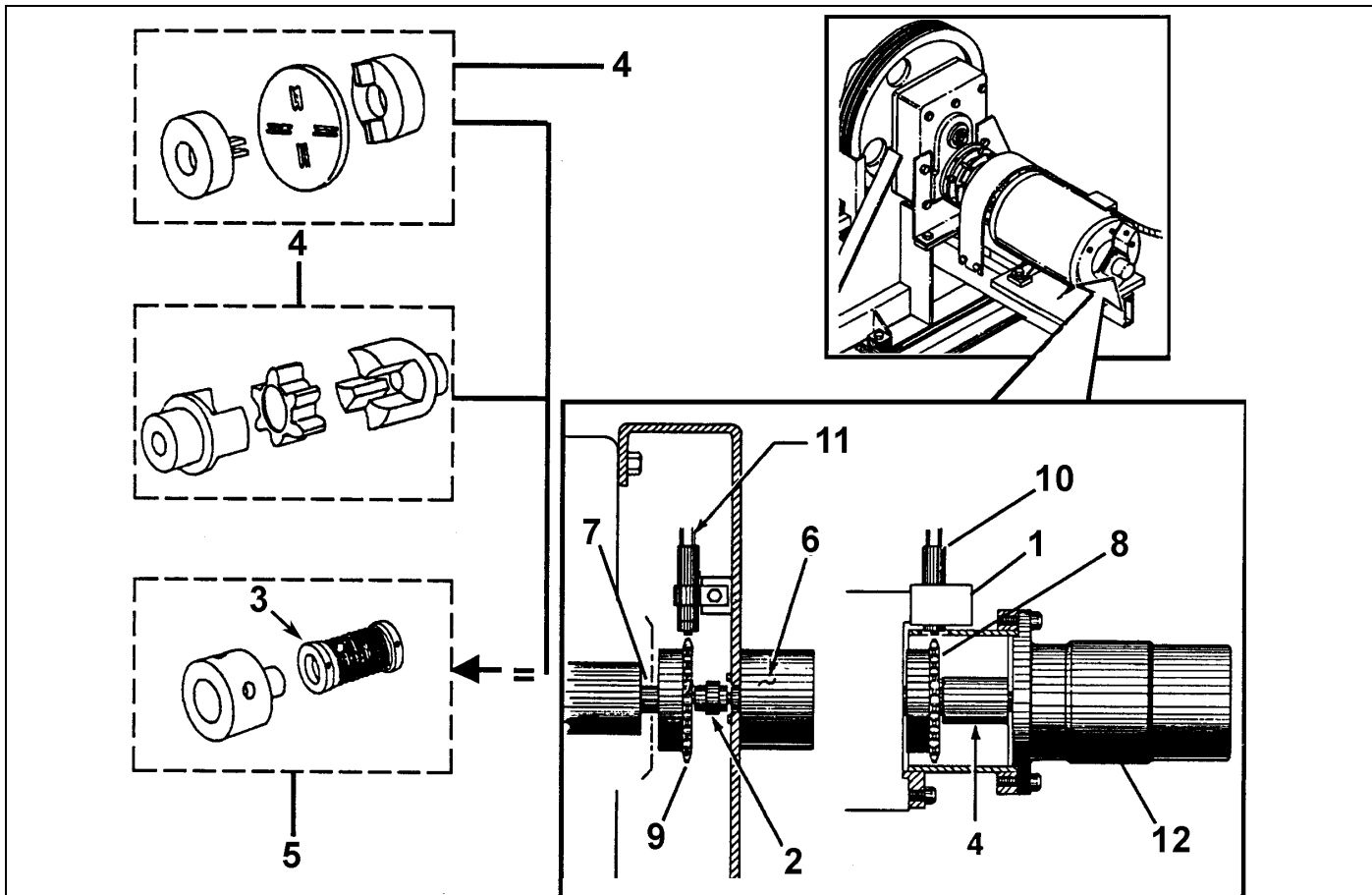
C-3069



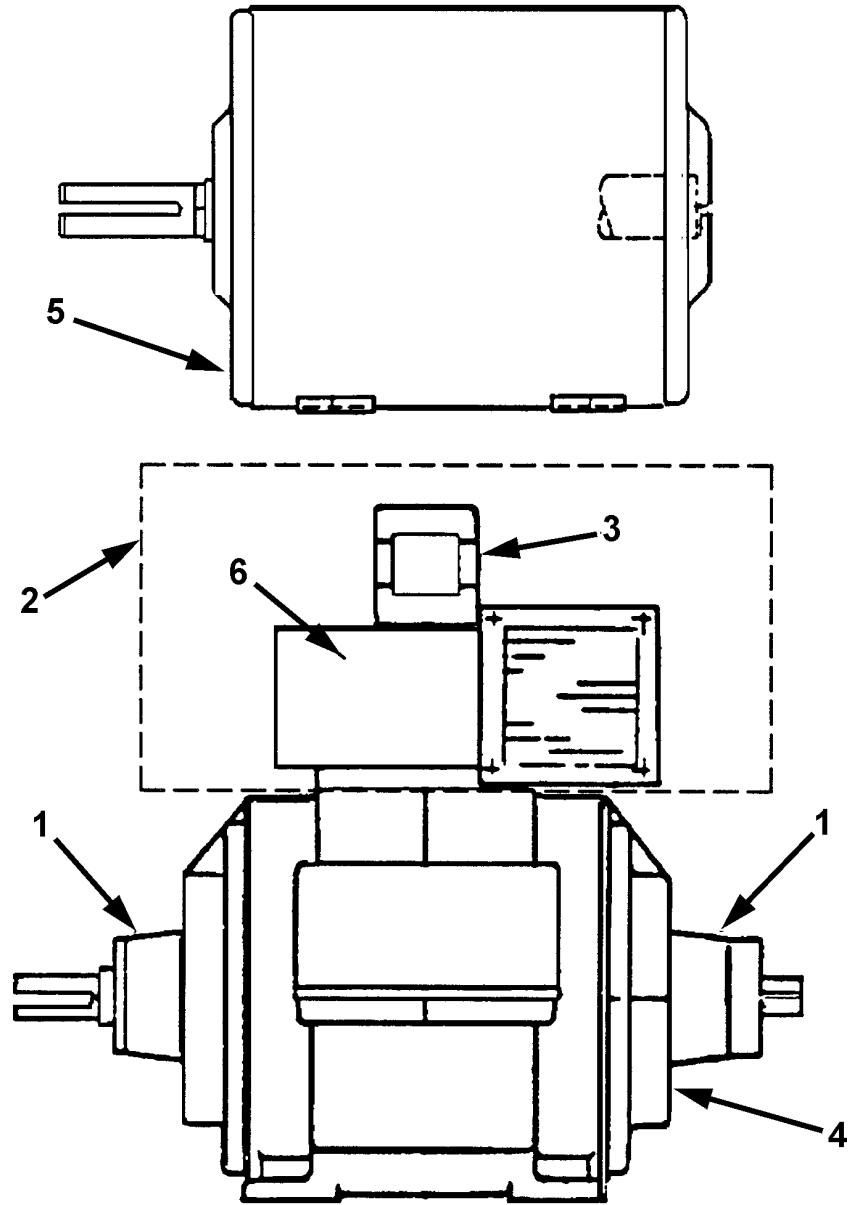
W/O VINTAGE		
REF. No.	PART No.	DESCRIPTION
1	BTFH7/8-14X2-1/2	Bolt, 7/8 x 2-1/2 in. L
2	BTFH 7/8X3	Bolt, 7/8 x 3 in. L
3	251BV11	Insert, Sheave (for 260CJ1)
	251BV10	Insert, Sheave (for 260CJ3)
	251BT21	Insert, Sheave (for 260CK1)
4	192Y3	Key
5	192Y4	Key
6	LOCKNUT AN-18	Locknut, Special
7	LOCKWASHER W-18	Lockwasher, Special
8	WSR LK7/8	Lockwasher, Spring
9	NUT FH7/8CP	Nut
10	PILLOWBLOCK MP-47	Pillowblock
11	500BG1	Shaft, Drive
12	500BF1	Shaft, Drive
13	260CK1	Sheave, Drive, 22-1/2 in. \varnothing , Four 1/2 in. Ropes
	260CJ1	Sheave, Drive, 25 in. \varnothing , Three 5/8 in. Ropes
	260CJ3	Sheave, Drive, 26 in. \varnothing , Three 5/8 in. Ropes
14	255VA34	Shim
	255VA35	Shim
	255VA36	Shim
15	127VB152	Washer
16	WSR 7/8SAE	Washer

Motor Encoder and Tachometer

C-3069



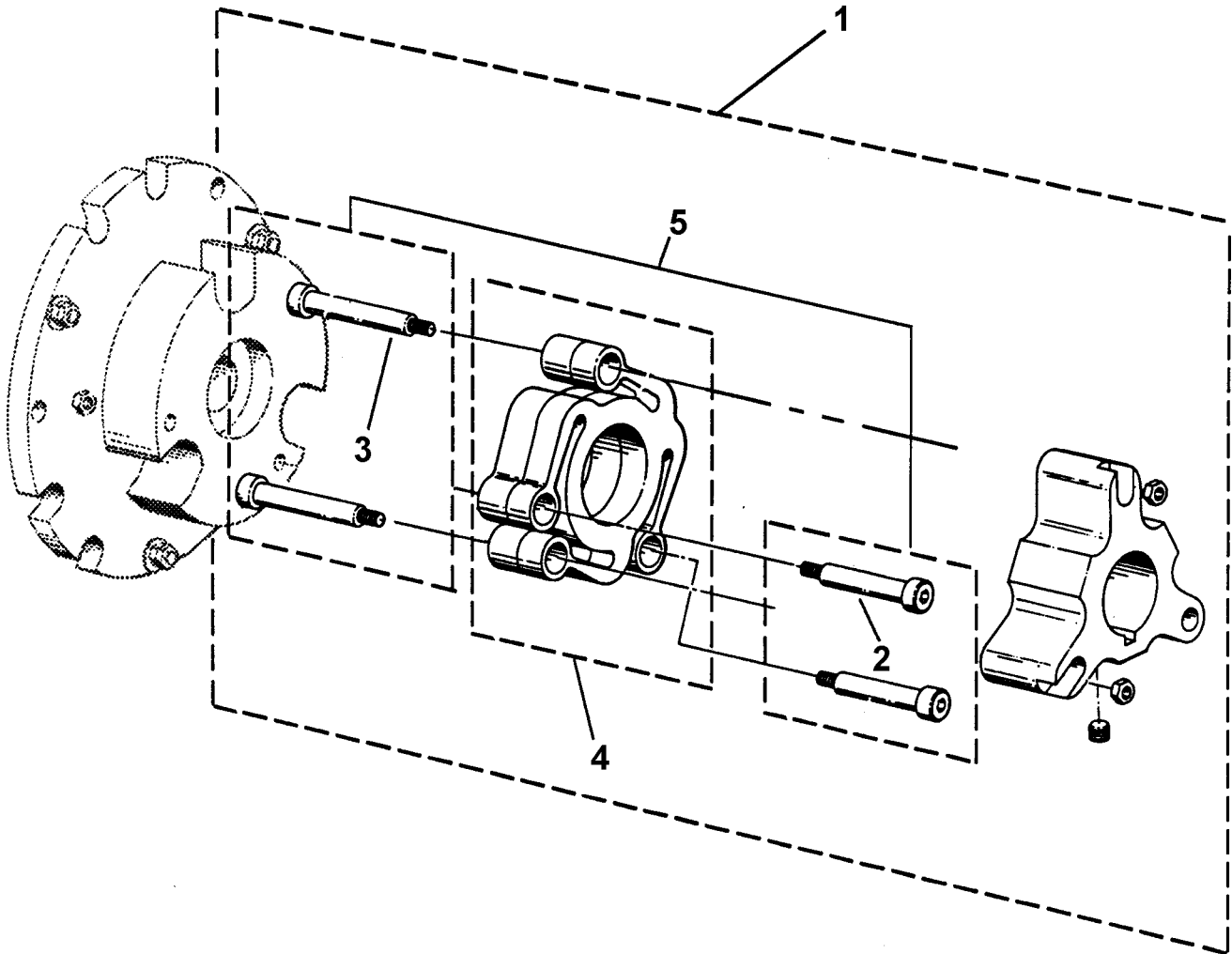
REF. No.	W/O VINTAGE PART No.	DESCRIPTION
1	336CZ8	Clamp
2	215BN1	Coupling
3	GO215W1	Coupling
4	GO215R1 GOB215R1	Coupling
5	GO2223CJ1	Coupling with Adaptor
6	ENCODER-LC23 VP-766010 633B4	Encoder
7	B81DK1	Pin
8	SPROCKET 14972	Sprocket
9	SPROCKET 14968	Sprocket
10	MRVF-SENSOR 2040C	Sensor
11	MRVF-SENSOR 2030C	Sensor
12	9708G3	Tachometer



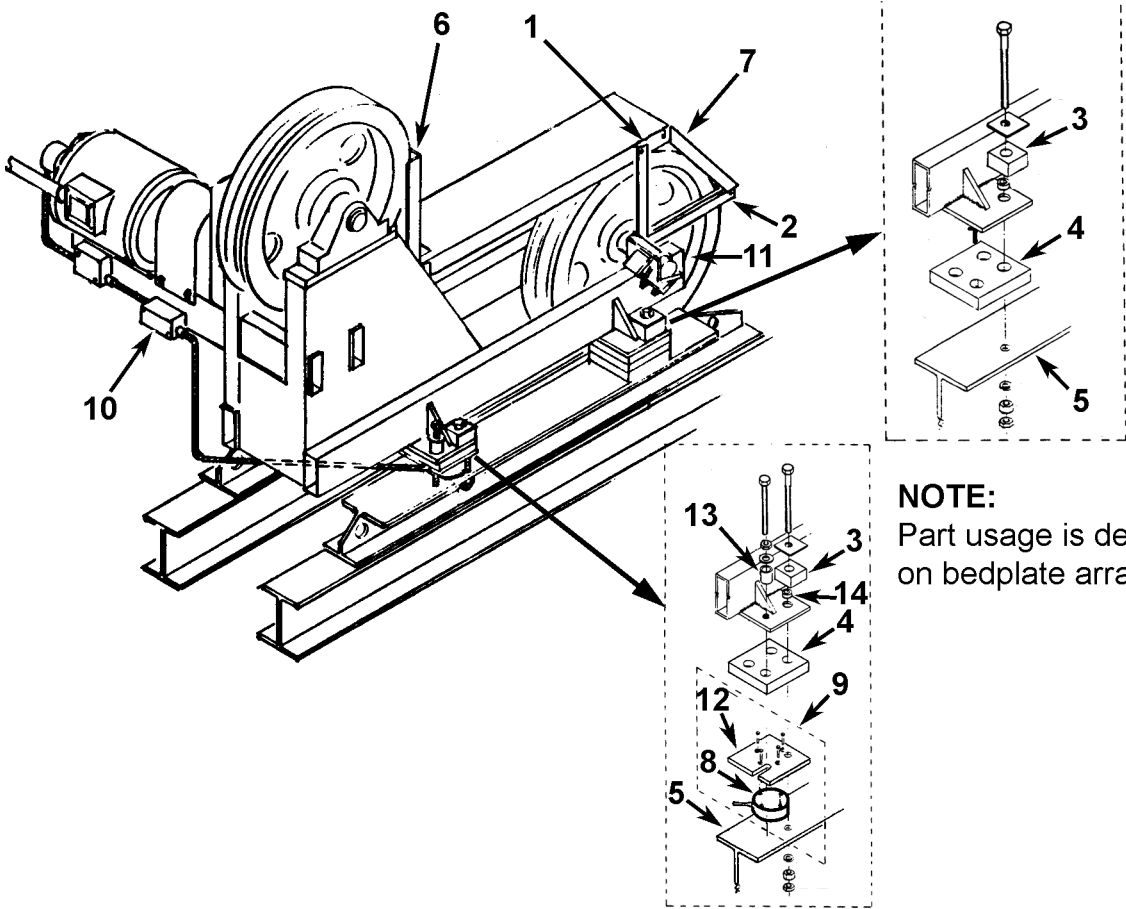
W/O VINTAGE		
REF. No.	PART No.	DESCRIPTION
1	207Z84	Bearing
2	VP-708000	Blower Motor
3	VP-708010	Blower, Complete
4	6333CX1	Motor, 20 HP, 1100 RPM
	6333CX3	Motor, 30 HP, 100 RPM
	6333CX2	Motor, 35 HP, 1670 RPM
5	6333CV1	Motor, 30 HP, 1800 RPM
6	VP-874550	Spiral Housing-MRV

Motor-Gearbox Coupling

C-3069



	W/O VINTAGE	
REF. No.	PART No.	DESCRIPTION
1	215BH1	Assembly, Coupling
2	215BH/BOLT-SS459300	Bolt, Shoulder, 2.0 in. L
3	215BH/BOLT-SS459350	Bolt, Shoulder, 2.5 in. L
4	215BH2	Discs, Flex (2)
5	215BH3	Kit, Fastener, Shoulder Bolts and Nuts



NOTE:
Part usage is dependant on bedplate arrangement.

W/O VINTAGE		
REF. No.	PART No.	DESCRIPTION
1	283WC3	Angle, Formed (rope guard support)
2	298PX1	Bar (rope guard support)
3	310BE3	Block, Isolation, 3 x 3 in. (center hole)
4	310BE1	Block, Isolation, 6 x 6 in. (4 holes)
	310JJ1	Block, Urethane, 3 x 6 in. L (2 holes)
5	304CX3	Blocking, Beam
6	384TT1	Guard, Rope
7	384TG8	Guard, Rope
8	622H1	Load Cell
9	622G1	Load Cell & Mounting Plate
10	A8121AT1	PC Board, Loadweighing Control
11	386BEL29	Plate
12	105JK1	Plate
13	377AL4	Spacer, Pipe, 1.4 in. L
14	137AL7	Tubing, Rubber 1.25 in. \varnothing , 0.8 \varnothing , 0.5 in. L