

MRV Controller

Spare Parts Leaflet

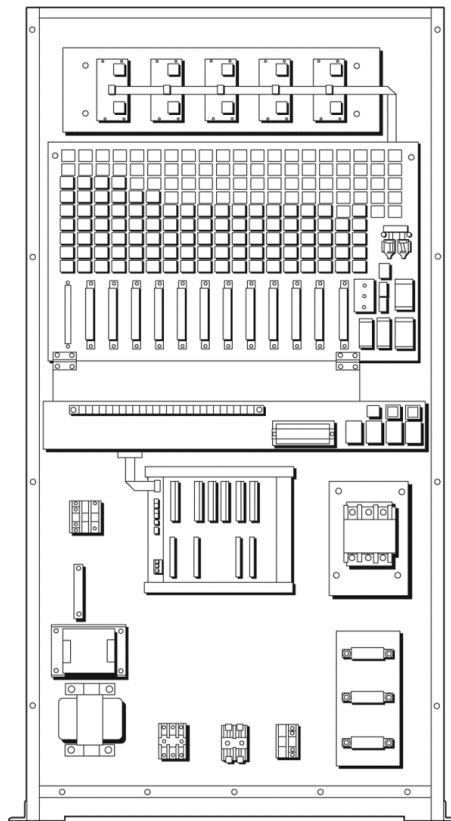
C-3051

September 28, 2022 / Page 1 of 9

OBSOLESCENCE NOTICE

The product covered in this SPL has been designated as obsolete and is no longer supported. See TIP 32.2-1, *Obsolete Components*, for potential upgrade. Replacement lower-level parts listed within and unique to this design will be reviewed for obsolescence.

W/O VINTAGE



OTIS

This document does not contain any technical data subject to EAR or ITAR

SERVICE ENGINEERING

Otis Elevator Company

Bloomfield, Connecticut USA

Unpublished Work—© Otis Elevator Co.; 2022

Leaflet Description

This leaflet details spare parts information for the 7402B MRV controller. This version also updates the cross-references used in the leaflet.

Leaflet Revisions

Date Revised	Subject Matter Expert	Reason for Revision
August 1984	Burt Greenfield	- - -
August 1, 2001	John Dwyer	Add history page, update parts, break up dense pages, and correct leaflet cross-references.
March 23, 2011	Matt Fournier	Added alternate part numbers for P613AP7 and 9
December 21, 2011	Matt Fournier	Added more alternate parts for P613AP7 and 9
September 15, 2021	Ali Bozorgzadeh	Corrected description for p/n AAA375BG20
September 28, 2022	Juan Murillo	Updated to include OBSOLESCENCE note on cover

Related Drawings

Drawing No.	Title	Drawing No.	Title
7402B	Controller Assembly & Arrangement	6480DJ	Door Operator Shelf Assembly
6850ET	6850ET Relay Panel Assembly	---	---

Related Documents

Document ID	Title
SPL 10-9708AL	Motion Gamma 160S Miscellaneous Parts
SPL C-3015A	Printed Circuit Boards, MRV Controller Gamma 160S
TIP 1.1.4.2-4	MRV Controller
TIP 1.1.4.2-5	MRV-Power Transformers
TIP 1.2.0-38	P613AP6, 7, and 9 Aromat Relay Replacements

Subject Matter Expert

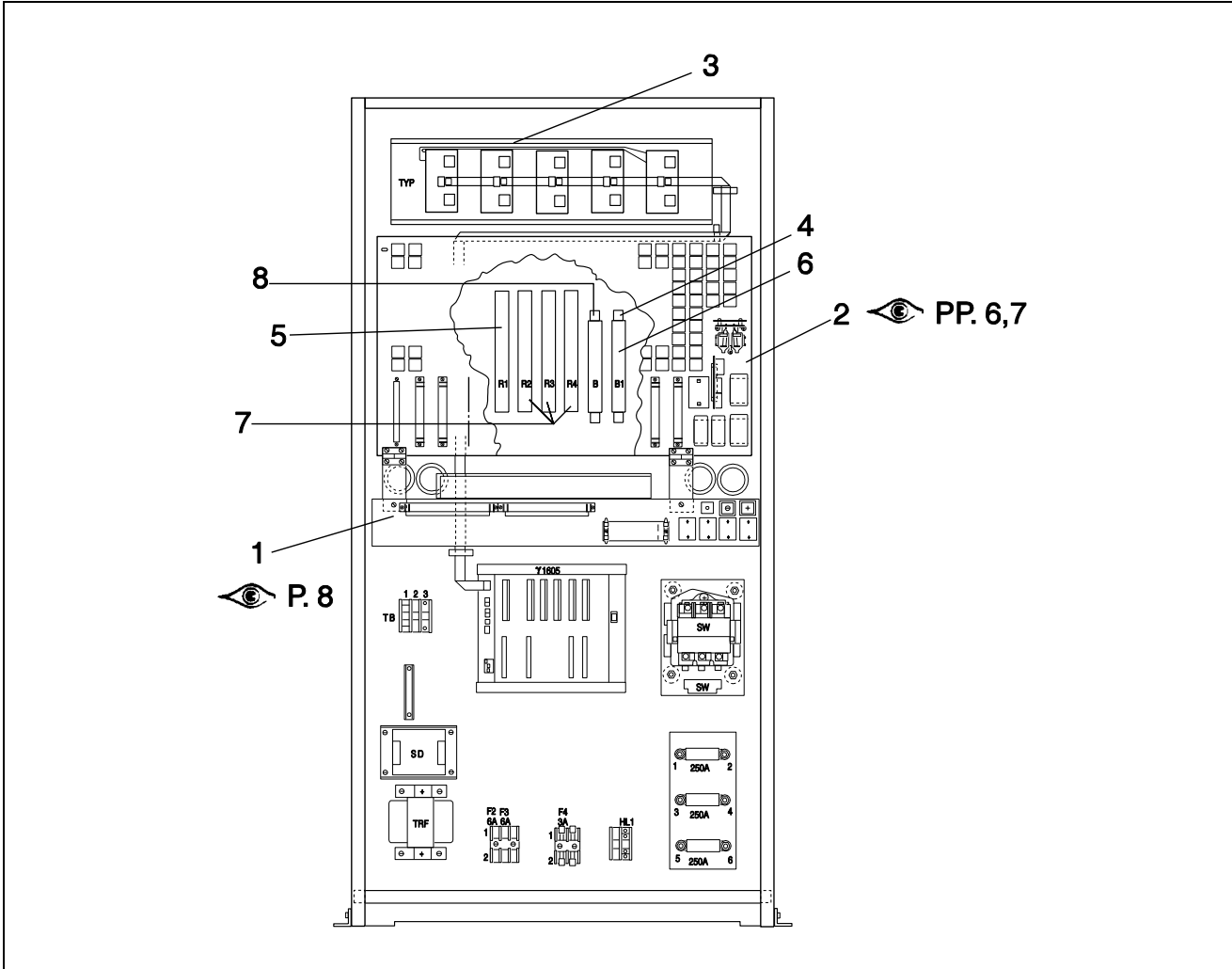
Name	Department
Matt Fournier	OSC Service Engineering

About Spare Parts Leaflets...

This document lists the lowest replaceable units (LRUs) for the standard version of the product. The LRUs are chosen by a team of Otis associates representing engineering and manufacturing.

While goal of this document is to make parts identification as easy as possible, the document cannot be all-inclusive. Elevator and escalator contracts classified as "special" or "custom" are not addressed here. For such contracts, please refer to specified information, the contract folder, TIPs, Field Education Articles, Construction Letters, etc. for further information.

If you have any suggestions about this document, please contact the subject matter expert listed on this page.

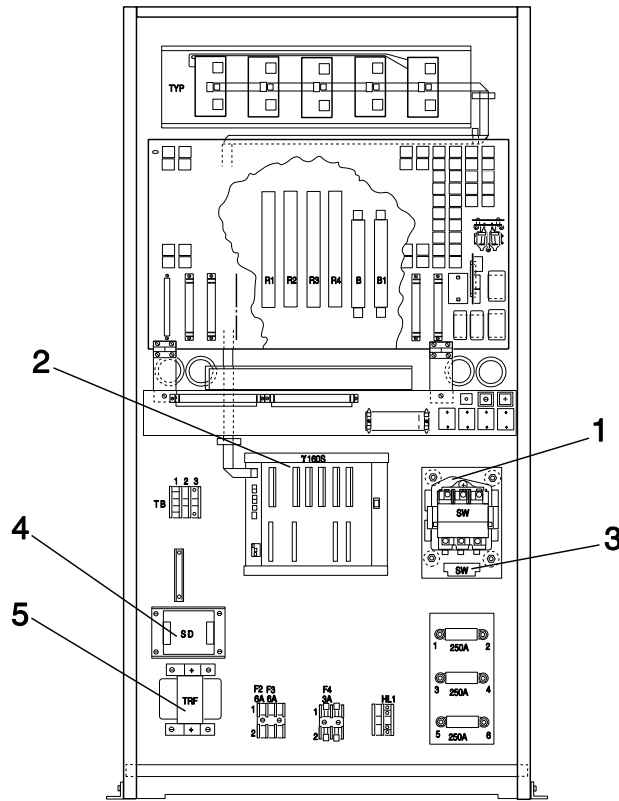



W/O VINTAGE		
REF. No.	PART No.	DESCRIPTION
1	---	Assembly, Type 6840DJ Door Operator Shelf, Detail on P. 8
2	---	Assembly, Type 6850ET Relay Panel, Detail on PP. 6, 7
*	354BS1	Distance-Piece, L = 5-1/2 in. (rear of relay panel)
3	9708AL5	Assembly, Thyristor Panel, SPL 10-9708AL
*	P334AP1	Insulator, L = 2-1/8 in. (rear of thyristor panel)
4	180AD1	Holder, Resistor Tube
5	P232BJ3	Resistor, 1000 ohm
6	P232DV2	Resistor, 25 ohm
7	P232BJ2	Resistor, 250 ohm
8	P232DZ6	Resistor, 500 ohm

* Part not shown.

C-3051

7402B MRV Controller Contactor & Transformer



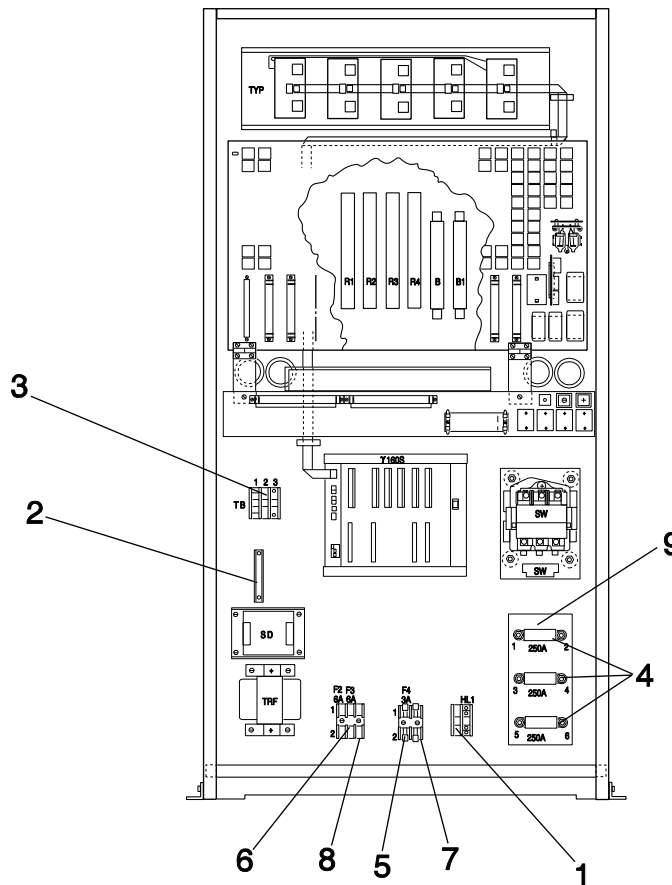
W/O VINTAGE		
REF. No.	PART No.	DESCRIPTION
1	7151AA1	Assembly, AC Contactor, NEMA 3
*	SA/KAX1A11	Kit, NEMA 3 Auxiliary Contact, 120 V (replacement parts for 7151AA1)
*	SA/3TY6485-0AA8	Kit, NEMA 3 Coil, 120 V (replacement parts for 7151AA1)
*	SA/KMC3	Kit, NEMA 3 Main Contact, 120 V (replacement parts for 7151AA1)
2	- - -	Rack, PCB, Gamma 160S,  SPL C-3015A
3	P605F1	Suppressor, Black Epoxy Encapsulated, L = 3-1/2 in.
4	7156A1	Switch, Speed
5	235CV1	Transformer

* Part not shown

7402B MRV Controller

C-3051

Terminal Block & Fuse Holder

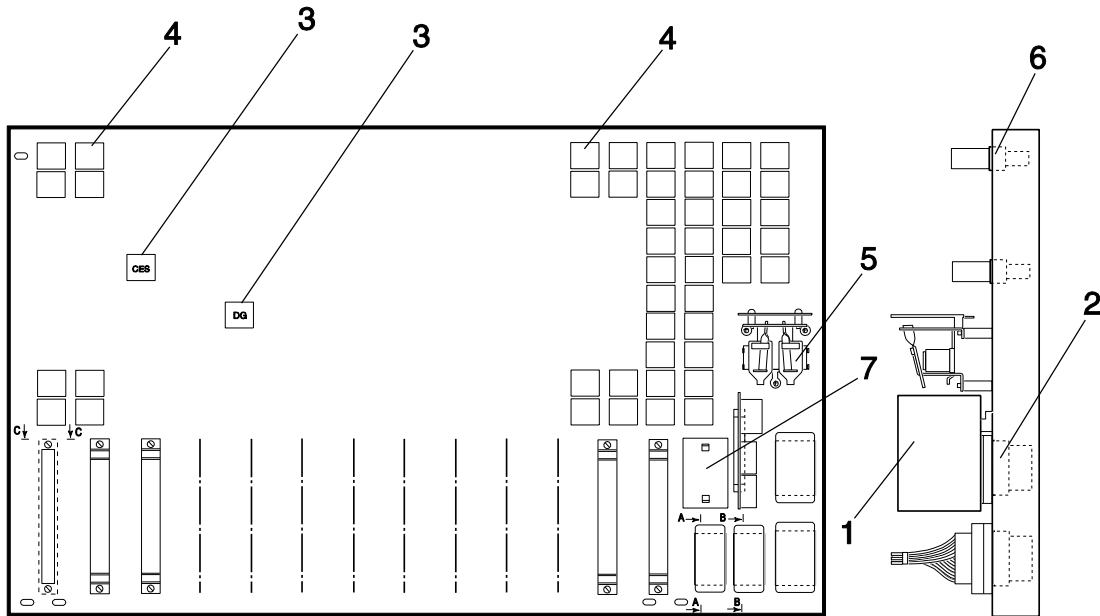


W/O VINTAGE		
REF. No.	PART No.	DESCRIPTION
1	P303BP5	Block, Terminal, 2-Position, 30 A, 600 V, L = 1-15/16 in.
2	P303CD1	Block, Terminal, 20-Terminal, 25 A, 300 V
3	P303BP4	Block, Terminal, 3-Circuit, 600 V, L = 2-3/4 in.
4	P375AV5	Fuse, 250 A, 700 V, L = 5-3/32 in.
5	P375AS1	Fuse, 3 A, ≤ 250 V, L = 2 in. (F4)
6	P375AT2 AAA375BG20	Fuse, 10 A, ≤ 600 V, L = 1-1/2 in. (F2, F3)
7	P180BP1	Holder, 2-Position Fuse, 30 A, 250 V, L = 2-5/32 in. (F4)
8	P180BP3	Holder, 3-Position Fuse, 30 A, 600 V, L = 2-3/8 in. (F2, F3)
9	P180BS1	Holder, Fuse, L = 12 in.(FP)

C-3051

6850ET Relay Panel Assembly

Timer, Timer Board & Relay



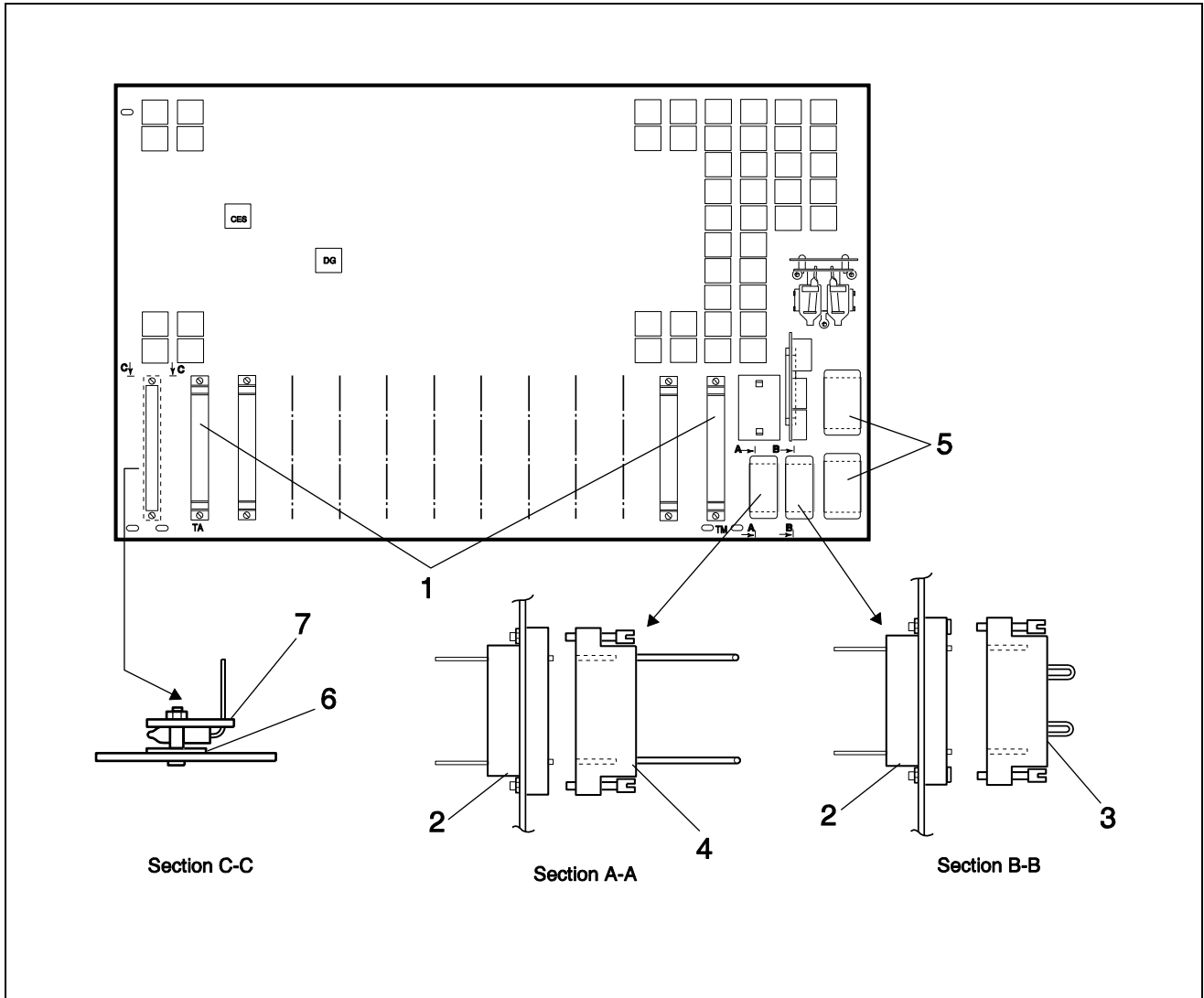
W/O VINTAGE		
REF. No.	PART No.	DESCRIPTION
1	A8119AT4	Board, Timer (Duplex Operation, w/lanterns)
	A8119AT2	Board, Timer (Duplex Operation, w/o lanterns)
	A8119AT3	Board, Timer (Simplex Operation, w/lanterns)
	A8119AT1	Board, Timer (Simplex Operation, w/o lanterns)
*	623C1	Timer, 0.1-10 Seconds (replacement part for A8119AT)
*	623C2	Timer, 8-140 Seconds (replacement part for A8119AT)
2	P614AJ1	Connector, 30-Pin Position, L = 3.188 in. (for A8119AT)
3	P613AY4 630H1	Relay, 2-Pole, 115 VAC, Set-Reset (DG, CES)
4	P613AY3 AAA613CZ9	Relay, 4-Pole, 115 VAC, w/Neon Indicator
5	P613BD1	Relay, Rotary Stepping, 24-Pole, 115 VAC
6	P618T1	Socket, Relay (1 per ref. 2 & 3)
7	P623D1	Timer, Solid State, L = 2-3/4 in.

* Part not shown.

6850ET Relay Panel Assembly

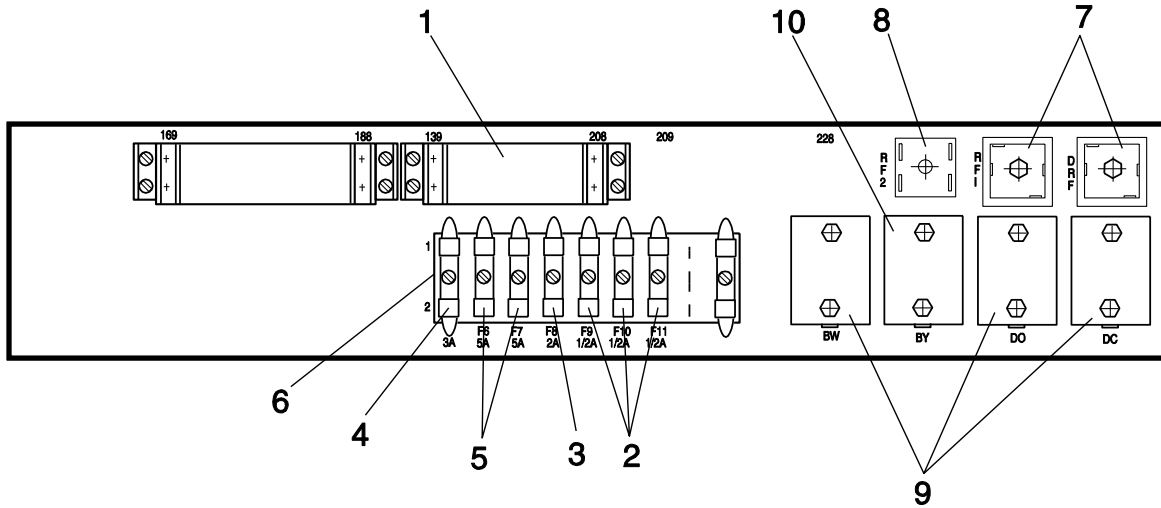
Terminal Block & Connector

C-3051



W/O VINTAGE		
REF. No.	PART No.	DESCRIPTION
1	P303CC1	Block, Terminal, 14-Position (TA—TM)
2	P614H9	Connector, 50-Pin Position (1P, 2P)
3	618W1	Connector, Jumper Plug, 34-Pin Position, L = 5 in. (2P)
4	P614AN6	Connector, Mating Block (1P)
5	P614H7	Connector, Relay, 70-Pin Position (3P, 4P)
6	443DA1	Glass, Transparent Red, L = 6.20 in.
7	8201Y1	PCB (value line position indicator), w/424A1 Neon Lamps

Door Operator Shelf Assembly

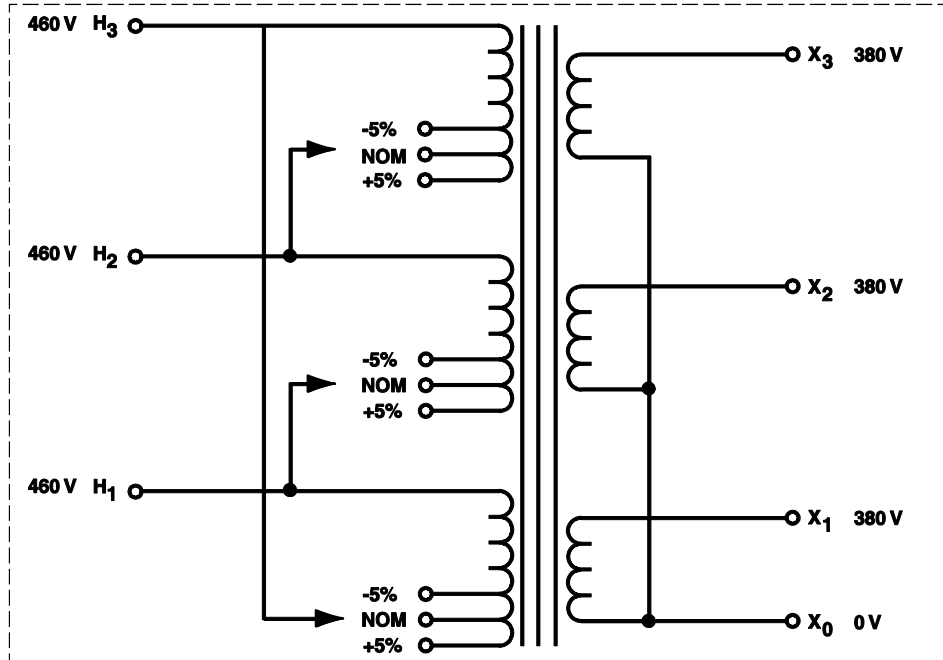


REF. No.	W/O VINTAGE PART No.	DESCRIPTION
1	P303CG1	Board, Terminal, 20-Terminal, L = 8.16 in.
2	375P24	Fuse, Glass, 1/2 A ≤ 250 V (F9, F10, F11)
3	375P2	Fuse, Glass, 2 A ≤ 250 V (F8)
4	375P3	Fuse, Glass, 3 A ≤ 250 V (F1)
5	375P5	Fuse, Glass, 5 A ≤ 250 V (F6, F7)
6	P303BA4	Holder, Fuse, L = 5.5 in. × 1-3/8 in.
7	P230BP2	Rectifier, Bridge, 1-Phase, 25 A, 800 V (RF1, DRF)
8	P230BK6	Rectifier, Bridge, 1-Phase, 4 A, 400 V (RF2)
9	P613AP9 AAA24831M9 AAA613DL16	Relay, 4-Pole, 115 VAC, 2 NO, 2 NC (BW, DC, DO), See NOTE
10	P613AP7 AAA24831M7 AAA613DL15	Relay, 4-Pole, 115 VAC, 3 NO, 1 NC (BY), See NOTE

NOTE: For first time replacement, order AAA24831M_; for subsequent replacements, order AAA613DL_. Refer to TIP 1.2.0-38, P613AP6, 7 and 9 Aromat Relay Replacements, for replacement options.

Isolation Transformer

C-3051



NOTE: 225ER11 is shown.

W/O VINTAGE				
REF. No.	PART No.	DESCRIPTION	PRIMARY VOLTAGE	KVA
1	225ER1	Transformer, Isolation	208	27.0
	225ER2		230	
	225ER3		460	
	225ER4		575	
	225ER5		208	34.0
	225ER6		230	
	225ER7		460	
	225ER8		575	
	225ER9		208	40.0
	225ER10		230	
	225ER11		460	
			225ER12	
*	225ER/V480PA80A	Varistor	---	---

* Part not shown. Replacement varistors 225ER/V480PA80A should be wired between phases on the secondary of the line transformer.