

**VIT Machine:  
Type 7070AG**

**Spare Parts Leaflet**

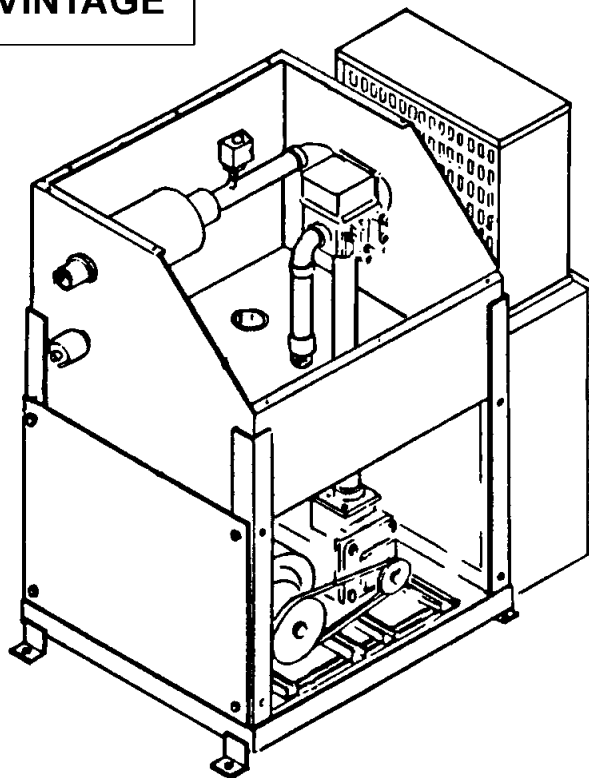
**C-3050**

**May 18, 2022 / Page 1 of 7**

# OBSOLESCENCE NOTICE

The product covered in this SPL has been designated as obsolete and is no longer supported. See TIP 32.2-1, *Obsolete Components*, for potential upgrade. Replacement lower level parts listed within and unique to this design are not being restocked when depleted. Some of these parts, depending on availability and other factors, may be quoted through Customer Service, but most will have extended lead times and increased cost due to low volume production.

W/O VINTAGE



**OTIS**

This document does not contain any technical data subject to EAR or ITAR

**SERVICE ENGINEERING  
Otis Elevator Company  
Bloomfield, Connecticut USA**

Unpublished Work—© Otis Elevator Co.; 2022

**Leaflet Description**

This leaflet details type 7070AG VIT hydraulic machine assemblies.

**Leaflet Revisions**

<b>Date Revised</b>	<b>Subject Matter Expert</b>	<b>Reason for Revision</b>
April 1984	Jeff Costley	New leaflet
October 1, 2001	Troy Chicoine	Add history page, update parts and illustration.
May 18, 2022	Brian Regan	Updated document template and obsolescence info

**Related Drawings**

<b>Drawing No.</b>	<b>Title</b>	<b>Drawing No.</b>	<b>Title</b>
7070AG	Assembly & Arrangement: VIT (Hydro) Machine w/Maxton or EECO Valve 30 Gal or 62 Gal (Max.) Usable Oil		

**Related Documents**

<b>Document ID</b>	<b>Title</b>
SPL C-1076	Hydraulic Elevator w/Type 7BA Hydraulic Machine
SPL C-3074	Type: A7900A (hydraulic controller, LRS 7900A)
TIP 6.3.0-31	Inspection and Repair of Multiple V-Belt Drives

**Subject Matter Expert**

<b>Name</b>	<b>Department</b>
Brian Regan	OSC Service Engineering

**About Spare Parts Leaflets...**

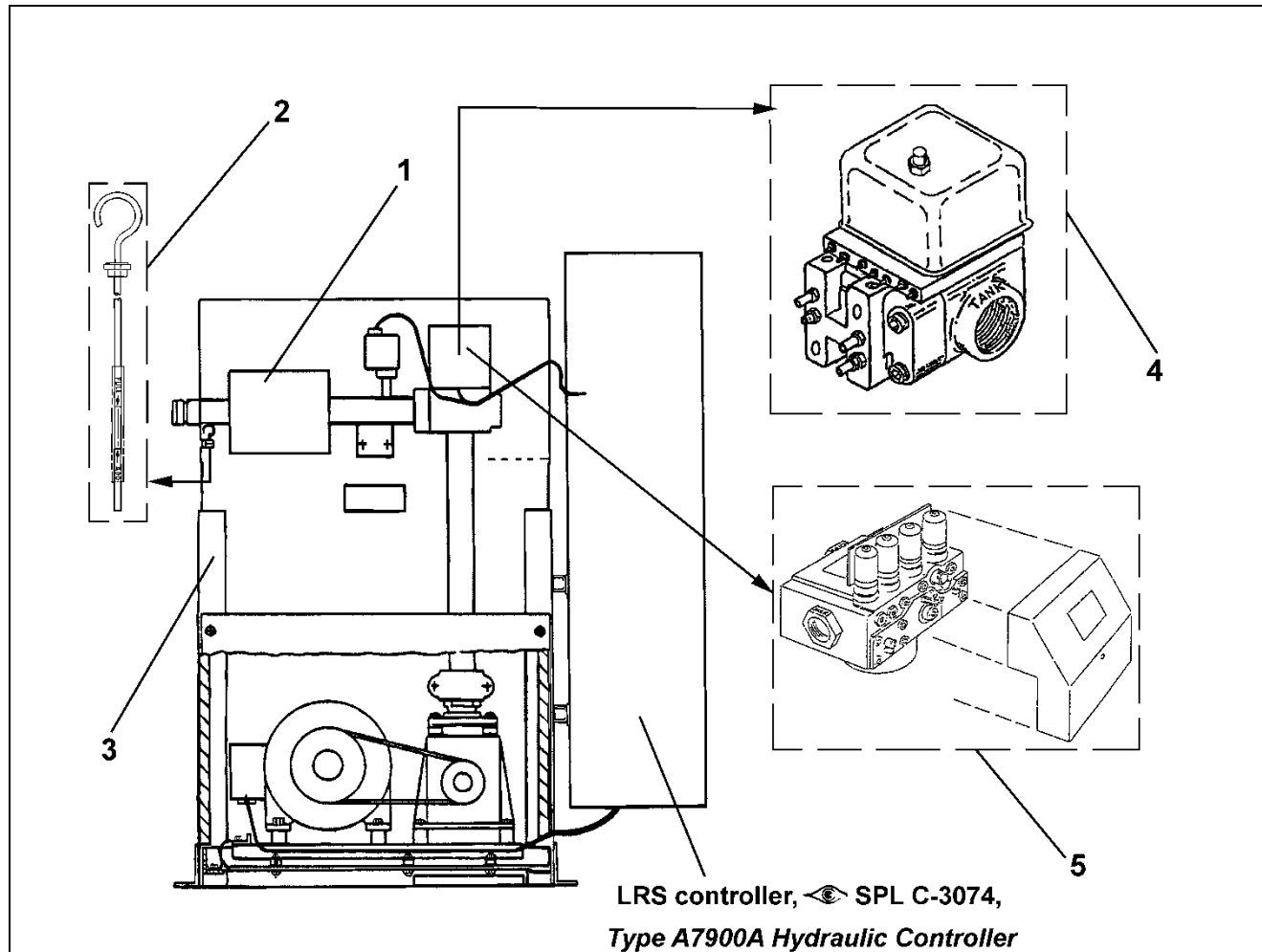
This document lists the lowest replaceable units (LRUs) for the standard version of the product. The LRUs are chosen by a team of Otis associates representing engineering and manufacturing.

While goal of this document is to make parts identification as easy as possible, the document cannot be all-inclusive. Elevator and escalator contracts classified as "special" or "custom" are not addressed here. For such contracts, please refer to specified information, the contract folder, TIPs, Field Education Articles, Construction Letters, etc. for further information.

If you have any suggestions about this document, please contact the subject matter expert listed on this page.

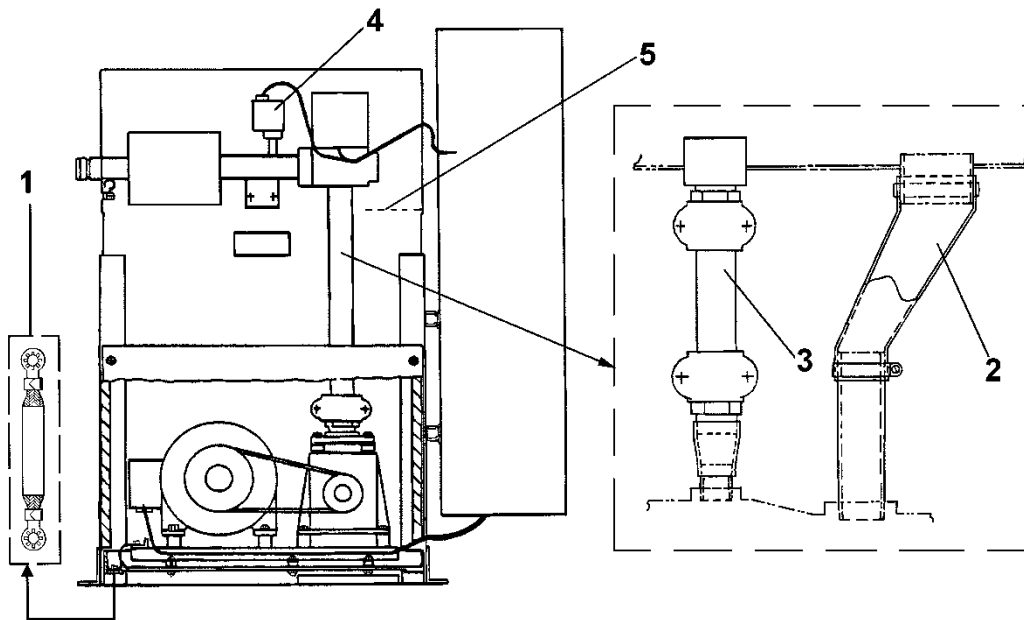
# Muffler, Tank Heater & Valve

**C-3050**



W/O VINTAGE			
REF. No.	PART No.	DESCRIPTION	
1	441BE2	Assembly, Muffler	
2	269BA12	Dipstick, Oil Indicator, for 30 Gal. Tank, L = 15.7 in.	
	269BA13	Dipstick, Oil Indicator, for 60 Gal. Tank, L = 23.7 in.	
3	615B1 615C2	Heater, Tank	
4	271AP4 271AP7	Valve, Maxton UC-4M Hydraulic Control	
5	271AK5	Valve, EECO Hydraulic Control (type UV-5A), 115 VAC	3/4 in. Bypass Piston
	271AK6		1/2 in. Bypass Piston
	271AK7		1-1/4 in. Bypass Piston
	271AK8		1 in. Bypass Piston

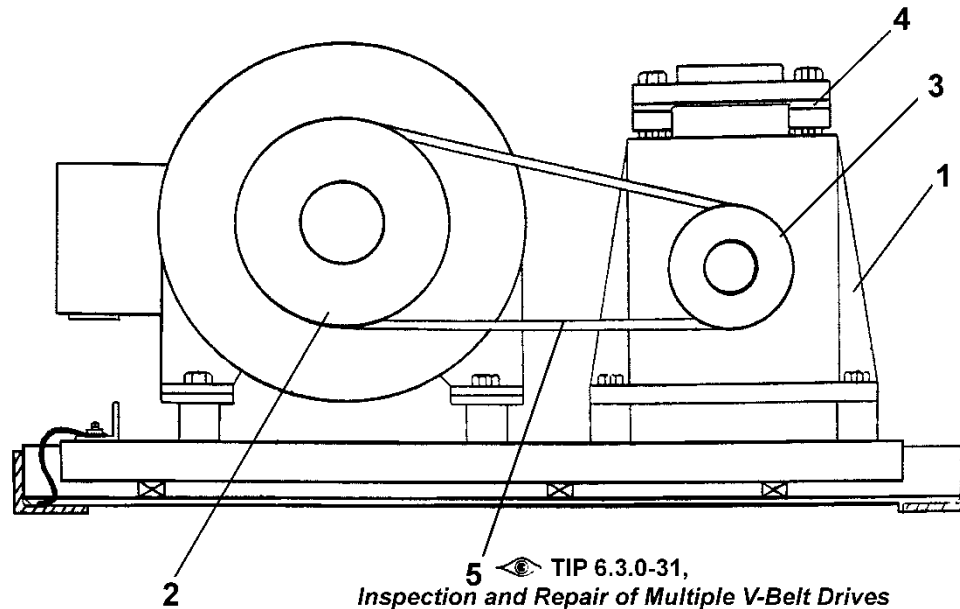
(Continued on next page)



REF. No.	W/O VINTAGE		LENGTH (in.)	I.D. (in.)	
	PART No.	DESCRIPTION		From	To
				---	
1	176KA4	Connector, Single (copper braid), Two Terminals	8-1/4	---	
2	134B3	Hose, Low Pressure (pump inlet)	7.80	4.50	4.50
	134B7		11.50		2.88
	134E1		12.00		3.50
	134F1				2.38
	134G1				
3	134H5	Hose, High Pressure (pump outlet)	8.20	2.00	2.00
	134H6		9.70		
	134H7		9.20		
	134H8		7.50		
4	177BM1 A177BM1	Switch, Pressure			
5	177BH1	Switch, Oil Level			

# Hydraulic Pump Assembly

**C-3050**

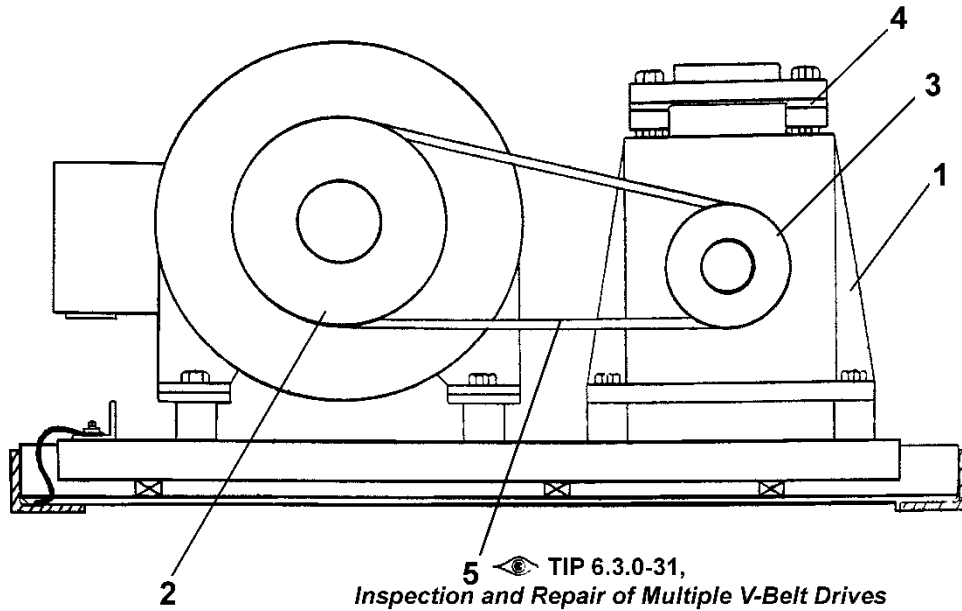


1		2		3		4	5		
Pump	Length (In.)	Motor Sheave	O.D. (in.)	Pump Sheave	O.D. (in.)	Gasket	V-Belt	QTY.	
6962J2	18.63	265BM8	4.75	265BM2	2.80	---	3V-425 717A1	4	
		265BM53	10.60	265BM91	5.00		3V-530 717A4	2	
6962T1	20.18	265BM25	6.90	265BM5	4.12		3V-450 717A2	3	
		265BM25	6.90	265BM89	3.65		3V-425 717A1	3	
		265BM26	6.90	265BM6	4.12		3V-450 717A2	4	
		265BM34	8.00	265BM6	4.12		3V-475 717A3	4	
		265BM41	10.60	265BM11	5.00		3V-530 717A4	3	
A6926AW2	32.12	265BM35	8.00	265BM10	4.75		376H13	3V-475 717A3	5
		265BM85	8.00	265BM84	4.75			3V-475 717A3	6
		265BM61	8.00	265BM90	4.75			3V-475 717A3	8

(Continued on next page)

# Hydraulic Pump Assembly

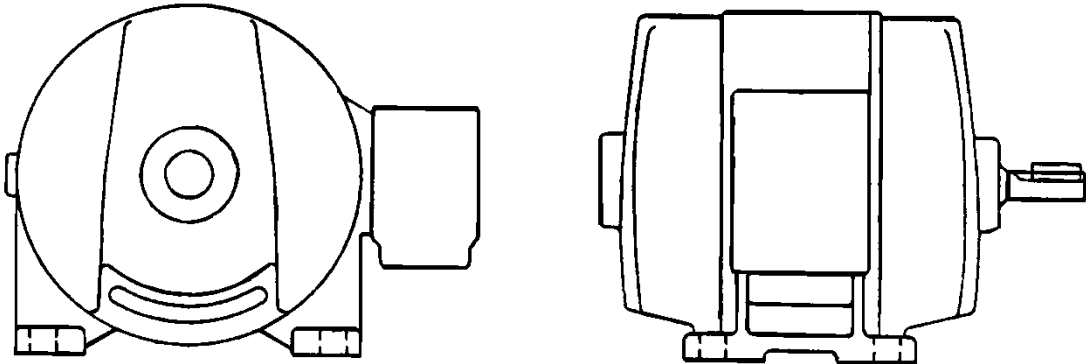
**C-3050**



1		2		3		4	5	
Pump	Length (in.)	Motor Sheave	O.D. (in.)	Pump Sheave	O.D. (in.)	Gasket	V-Belt	QTY.
A6926AW1	29.12	265BM21	6.50	265BM6	4.12	376H12	<del>3V-450</del> 717A2	4
		265BM33	8.00	265BM9	4.75		<del>3V-475</del> 717A3	3
		265BM34	8.00	265BM12	4.75		<del>3V-475</del> 717A3	4
		265BM34	8.00	265BM6	4.12		<del>3V-450</del> 717A2	4
		265BM41	10.60	265BM14	5.30		<del>3V-530</del> 717A4	3
		265BM34	8.00	265BM47	5.00		<del>3V-475</del> 717A3	4
		265BM35	8.00	265BM10	4.75		<del>3V-475</del> 717A3	5
		265BM42	10.60	265BM15	5.30		<del>3V-530</del> 717A4	4

# Type 6333BC Motor

**C-3050**



<b>MOTOR PART NO.</b>	<b>MOTOR H.P.</b>	<b>POWER SUPPLY VOLTAGE (V)</b>
6333BC7	7.5	200 - 208
6333BC8		220 - 480
6333BC9		550 - 600
6333BC10	10	200 - 208
6333BC11		220 - 480
6333BC12		550 - 600
6333BC13	15	200 - 208
6333BC14		220 - 480
6333BC15		550 - 600
6333BC16	20	200 - 208
6333BC17		220 - 480
6333BC18		550 - 600
6333BC19	25	200 - 208
6333BC20		220 - 480
6333BC21		550 - 600
6333BC22	30	200 - 208
6333BC23		220 - 480
6333BC24		550 - 600
6333BC25	40	200 - 208
6333BC26		220 - 480
6333BC27		550 - 600