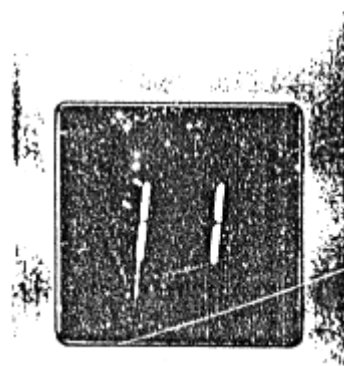


Page 1 - HALL & CAR LANTERNS, HALL POSITION INDICATORS



HALL LANTERN

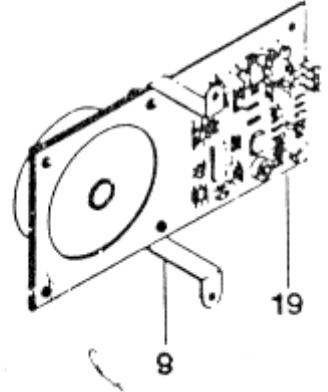
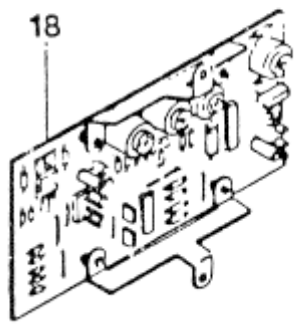
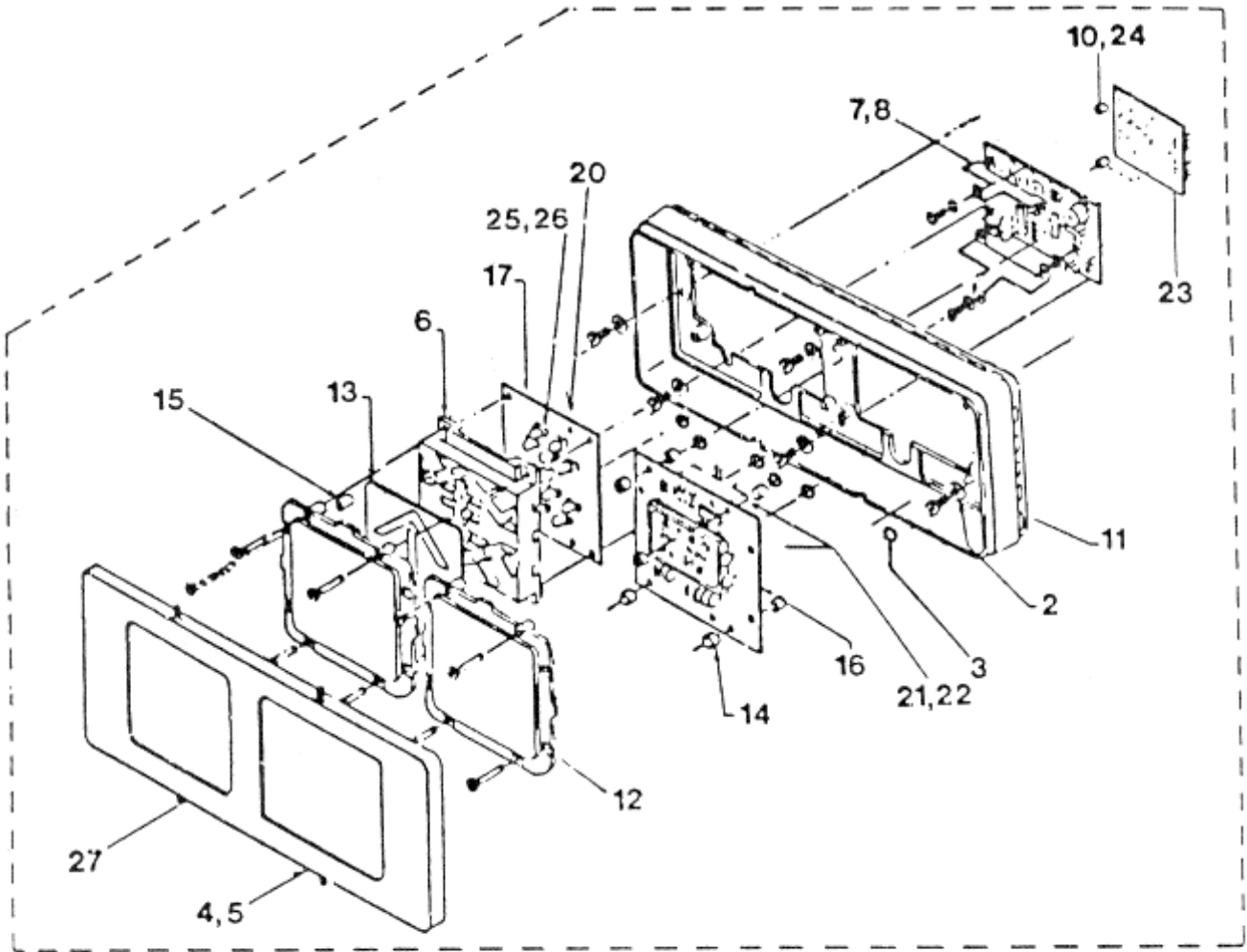


HALL POSITION DISPLAY



HALL LANTERN AND POSITION DISPLAY

Page 2 - HALL LANTERN/POSITION INDICATOR ASSEMBLIES



C-3032A - Advanced Fixtures

TYPE	MOUNTING	FINISH	ARR 6646--		APPLICATION
			GONG		
			W/O	W	
6646CY--	Horizontal	Stainless Steel	13	14	MRS & MRVF
		Bronze	15	16	
	Vertical	Stainless Steel	27	28	
		Bronze	29	30	
6646DT--	Horizontal	Stainless Steel	1	2	LRS-3
		Bronze	3	4	
	Vertical	Stainless Steel	9	10	
		Bronze	11	12	

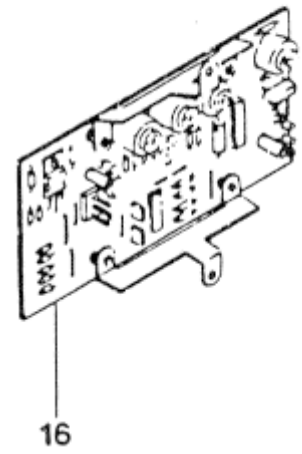
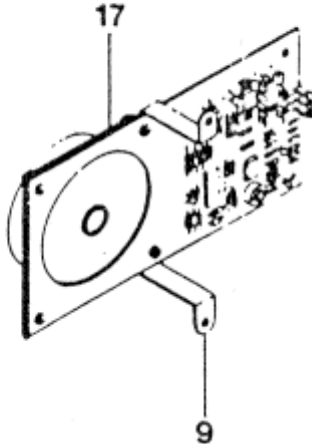
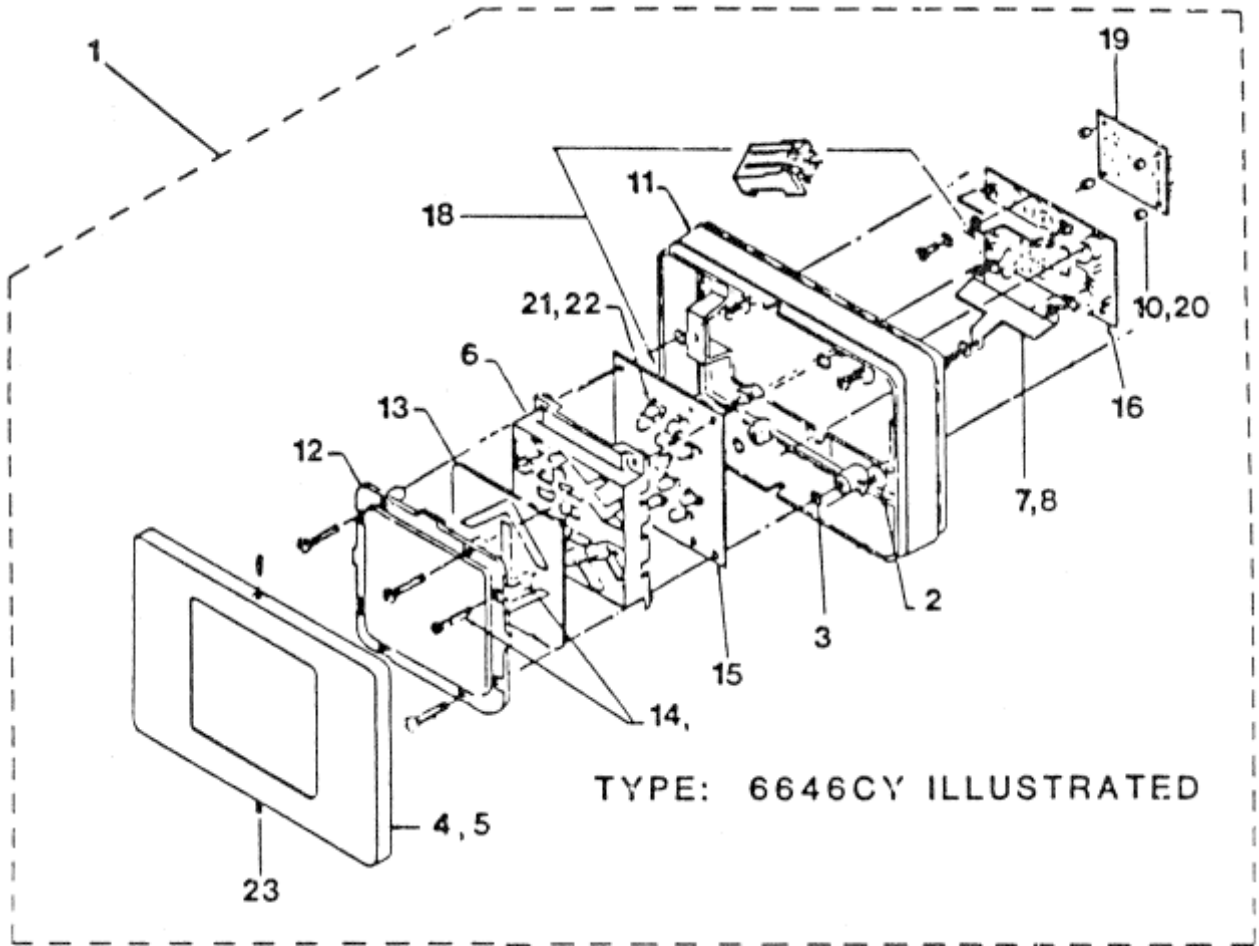
See SPL 34-6646CY

C-3032A - Advanced Fixtures

Page 3

REF. NO.	PART NO.		QTY.	DESCRIPTION
	6646CY--	6646DT--		
2	131CN1		6	Washer, .551 OD
3	182H5		8	'O' Ring, .101 ID
4	147TB1		1	Faceplate, Stainless Steel W/Set Screws
5	147TB2		1	Faceplate, Bronze W/Set Screws
6	278HA1		1	Reflector, Lantern
7	316DLS1		2	Bracket for 8200HA1 Gong
8		316DLS1	2	Bracket for Assy. W/O Gong PCB
9	283ACT1		2	Bracket for 8200BE1 Gong
GENERAL LOCATION, PART NOT ILLUSTRATED 10		354CB1	2	Standoff, .2" LG.
11	396JL2		1	Housing
12	443CC1		2	Lens, Green
13	449BH2		1	Lantern Diffuser
14	462GV1		8	Spacer, .3" OD, .125" Thick
15	462GV2		4	Spacer, .3" OD f/Vertical Lantern
RECOMMENDED SPARE PART 16	8200DA1		1	Position Indicator PC Board
RECOMMENDED SPARE PART 17	8200GA1		1	Lantern PC Board W/Lamps & Sockets
18	8200HA1		1	Gong PC Board (ORIGINAL DESIGN)
RECOMMENDED SPARE PART 19	8200BE1		1	Gong PC Board (NEW DESIGN)
GENERAL LOCATION, PART NOT ILLUSTRATED 20	P614AS1		GENERAL LOCATION, PART NOT ILLUSTRATED	Connector, Feed-Thru 3 -- Circuits, 18 AWG
GENERAL LOCATION, PART NOT ILLUSTRATED 21	P614AS2		1	Connector, Feed-Thru 4 -- Circuits, 18 AWG
GENERAL LOCATION, PART NOT ILLUSTRATED 22	P614AS3		1	Connector, Feed-Thru 6 -- Circuits, 18 AWG
23		A8121BB1	1	Semi-Conductor Switch Module
24		P462FM11	2	Standoff, 1/4" OD for Gong Assy.
RECOMMENDED SPARE PART 25	424R1		11	Lamp, 28V for Lantern PC Board
RECOMMENDED SPARE PART 26	467AT1		11	Lamp Socket
RECOMMENDED SPARE PART 27	VP-860730		4	Cone Point Set Screw

Page 4 - HALL LANTERN ASSEMBLIES



C-3032A - Advanced Fixtures

REF. NO. 1 TYPE	GONG	FINISH	ARR. 6646----- MOUNTING		APPLICATION
			HORIZ.	VERTICAL	
6646CY--	With	Stainless Steel	2	22	E-401, LRS MRS, MRVF
		Bronze	4	24	
	Without	Stainless Steel	1	21	MRS, MRVF
		Bronze	3	23	
A6646DS--	With	Stainless Steel	1	2	LRS-3, LRV3
		Bronze	3	4	
	Without	Stainless Steel	5	6	
		Bronze	7	8	

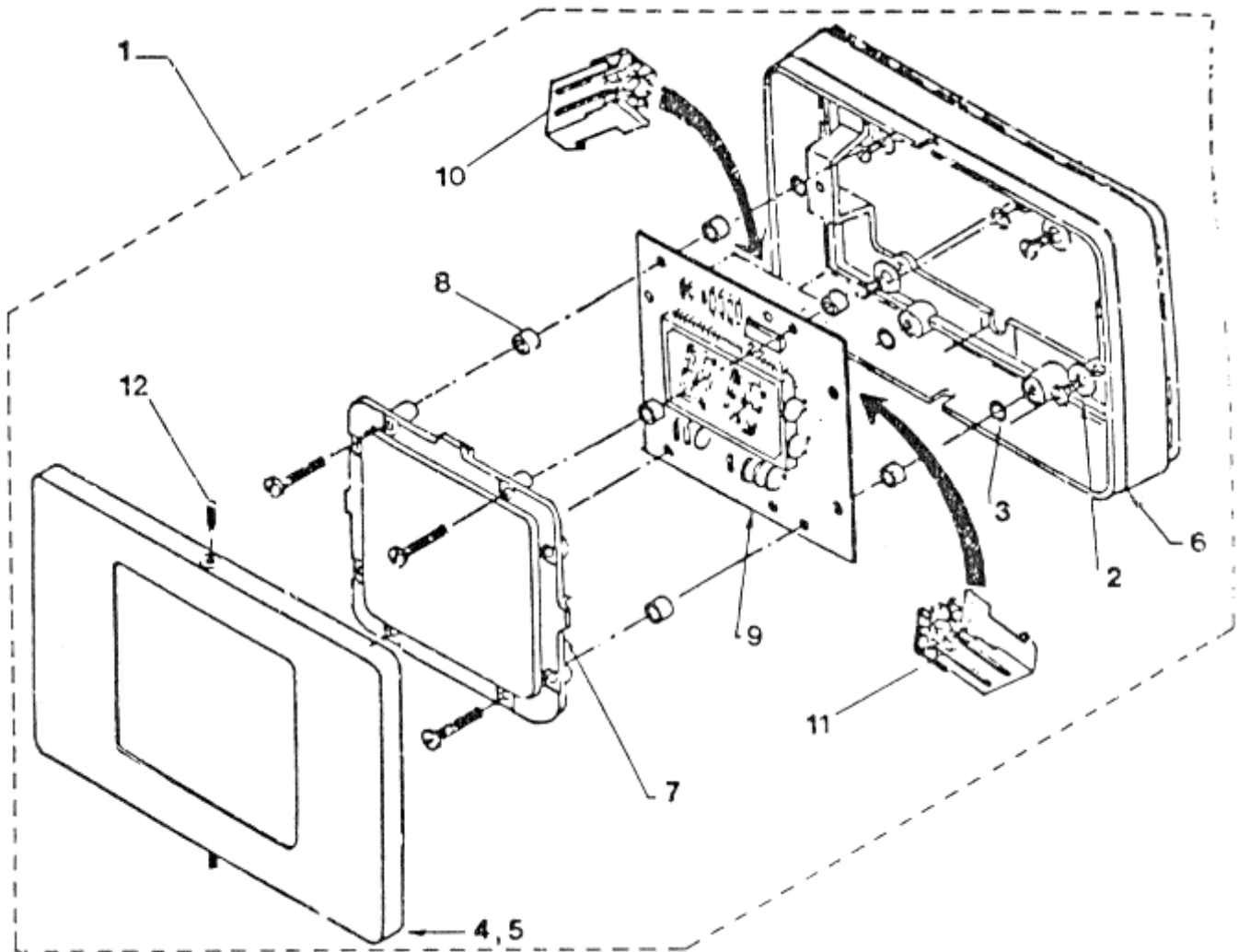
See SPL 34-6646CY

C-3032A - Advanced Fixtures

Page 5

REF.	PART NO.		QTY.	DESCRIPTION
NO.	6646CY--	6646DS--		
2	131CN1		4	Washer, .551 OD
3	182H5		4	'O' Ring
4	147SB1		1	Faceplate, Stainless Steel w/Set Screws
5	147SB2		1	Faceplate, Bronze w/Set Screws
6	278HA1		1	Reflector Lantern
7		316DLS1	2	Bracket for Assy. W/O Gong PCB
8	316DLS1		2	Bracket for 8200HA1 Gong Board
9	283ACT1		2	Bracket for 8200BE1 Gong Board
10		354CB1	4	Standoff, .2" LG. f/Assy. w/o Gong
11	396JJ1		1	Housing
12	443CC1		1	Lens, Green
13	449BH2		1	Lantern Diffuser
14	462GV2		1	Spacer, .3" OD f/Vertical Mounting
15	8200GA1		1	Lantern PC Board
16	8200HA1		1	Gong PC Board (Original Design)
RECOM- MENDED SPARE PART 17	8200BE1		1	Gong PC Board (New Design)
18	P614AS1		°	Connector Feed-Thru, 3 -- Circuits,
19		A8121BB1	1	Semi-Conductor Switch Module
20		P462FM11	2	Standoff, 1/4" CD f/Gong Assy.
RECOM- MENDED SPARE PART 21	424R1		11	Lamp, 28V for Lantern PC Board
RECOM- MENDED SPARE PART 22	467AT1		11	Lamp Socket
RECOM- MENDED SPARE PART 23	VP-860730		2	Cone Point Set Screw

Page 6 - HALL POSITION INDICATOR ASSEMBLY



REF. NO. 1 TYPE	MOUNTING	ARR. 6646CY-- FINISH		APPLICATION
		ST. STEEL	BRONZE	
6646CY--	Horizontal	9	10	E-401, MRVF, MRS, LRS-3
	Vertical	25	26	

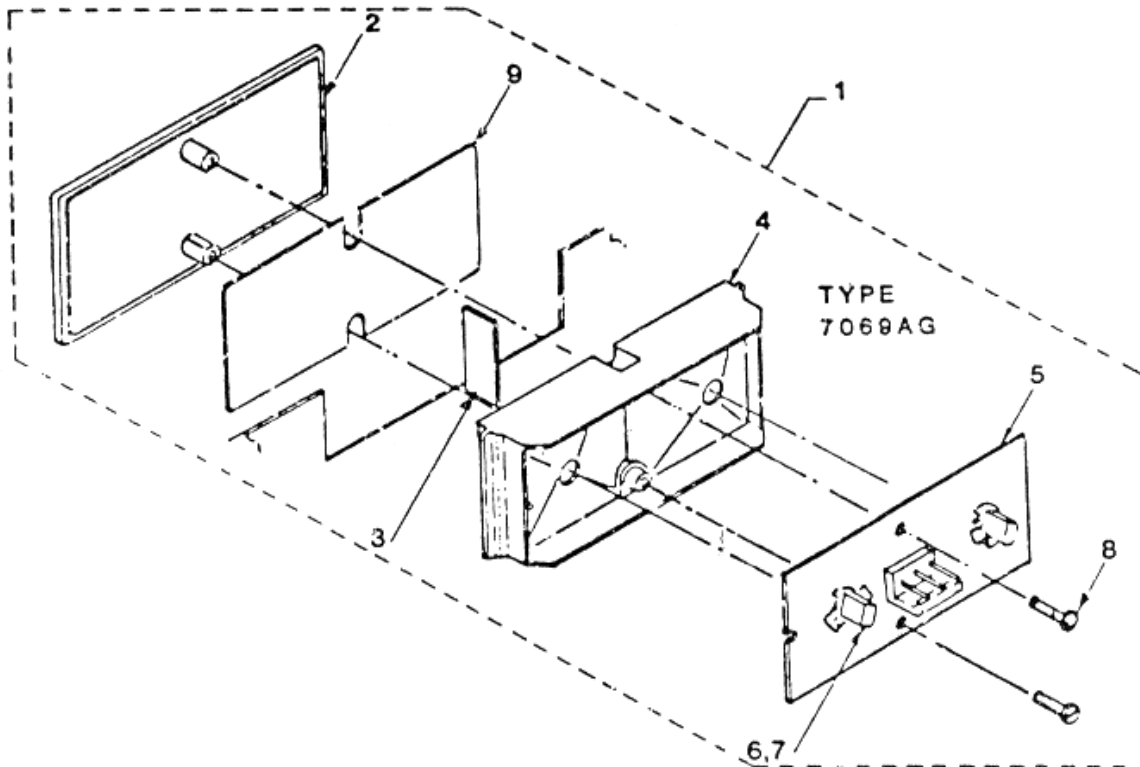
C-3032A - Advanced Fixtures

REF. NO.	PART NO.	QTY.	DESCRIPTION
2	131CN1	4	Washer
3	182H5	4	'O' Ring
4	147SB1	1	Faceplate, Stainless Steel w/2 Screws
5	147SB2	1	Faceplate, Bronze, w/2 Set Screws
6	396JJ1	1	Housing
7	443CC1	1	Lens, Green, 4.488" X 4.488"
8	462GV1	8	Spacer, .125" LG
*9	8200DA1	1	Position Indicator PC Board
10	P614AS2	1	Connector, 4--Circuits
11	P614AS3	1	Connector, 6--Circuits
*12	VP-860730	2	Cone Point Set Screw

See SPL 34-6646CY

C-3032A - Advanced Fixtures

Page 7 - TYPE: 7069AG JEWEL MODULE ASSEMBLY

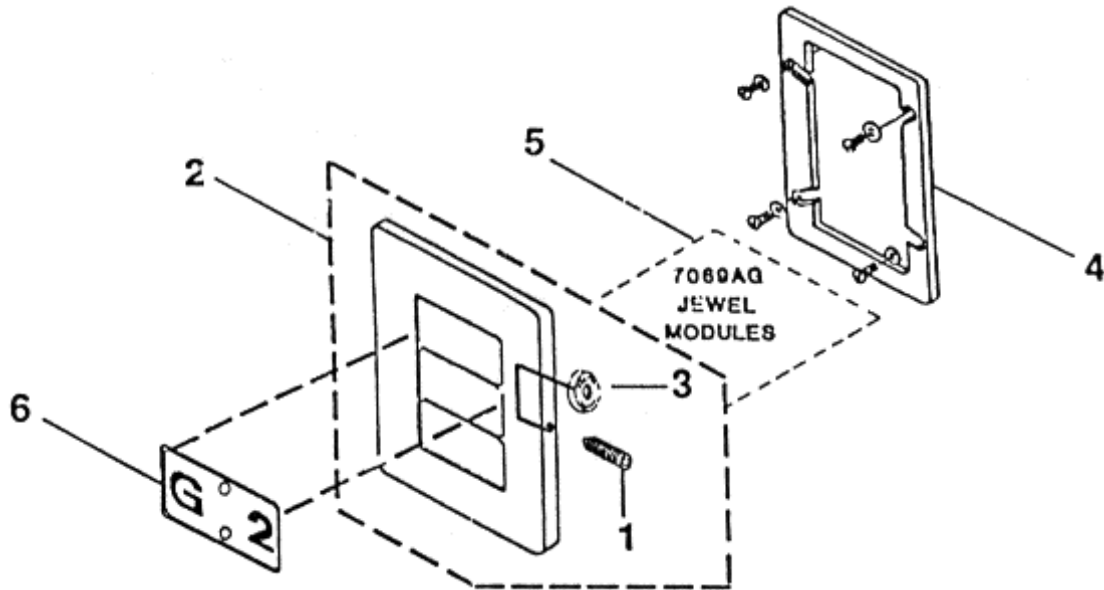


REF. NO.	PART NO.	QTY.	DESCRIPTION	APPLICATION
1	7069AG48 Thru 64	QUANTITY PER CONTRACT CONDITION	Jewel Module Assy., Complete as a Hall Position Indicator (See Table Page 8)	LRS, LRV3, LRV4, LRVL
2	443CB3	1	Lens, Transparent Green 1.378 x 2.756	
3	278FA2	1	Shield, 17/32" LG. X 17/24" H	
4	278FA1	1	Jewel Reflector, White, 2-55/64" LG. X 1-23/24" H	
RECOMMENDED SPARE PART 5	8200JA1	1	P.C. Board W/Lamps & Sockets	
RECOMMENDED SPARE PART 6	424R1	2	Lamps, Wedge Base, 28V	
RECOMMENDED SPARE PART 7	467AT1	2	Lamp Sockets Type 85	
8	124CY4	2	Pan Head Screw, Plastite, 3/4" LG.	
9	449BJ--	1	Mask, 1.275 x 2.610 (See Table Page 8)	

See SPL 31-7069AF

C-3032A - Advanced Fixtures

Page 8 - TYPE: 7069AN HPI. PANEL ASSEMBLY



REF. No.	PART No.	DESCRIPTION	APPLICATION
1	VP-860730	Cone Point Set Screw, M3 x 8, Hex, Soc.	
2	147SB4	Faceplate, 1-Module, Bronze, w/Screws	LRS, LRV4, LRVL
	147SB3	Faceplate, 1-Module, St. Steel, w/Screws	
	147SB6	Faceplate, 2-Module, Bronze, w/Screws	LRS, LRV4
	147SB5	Faceplate, 2-Module, St. Steel, w/Screws	
	147SB8	Faceplate, 3-Module, Bronze, w/Screws	LRS
	147SB7	Faceplate, 3-Module, St. Steel, w/Screws	
3	251FA1	Fastener, Self-Clinching Nut	
4	396JN1	Housing Panel	
5	TYPE 7069AG	Jewel Module Assm., See Also Table A,	
		See Also Page 7 for Detail Parts	
6	449BJ--	Mask See Also Table A	

C-3032A - Advanced Fixtures

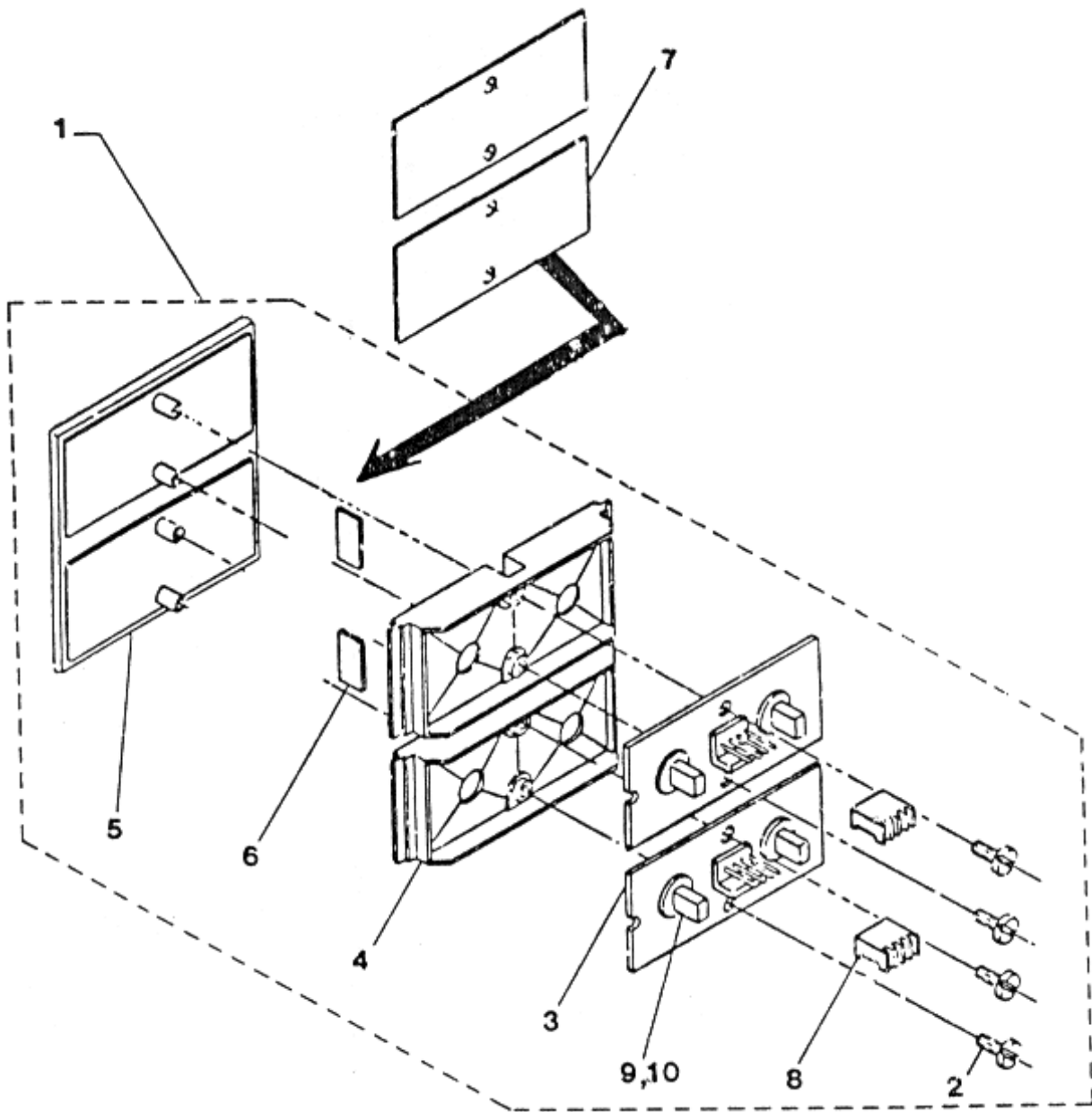
TABLE
A

	PART No.	
	MASK	JEWEL MODULE ASSM.
GRAPHIC	449BJ--	7069AG--
1-2	30	48
3-4	31	49
5-6	32	50
2-3	33	51
B-1	34	52
P-1	35	53
M-2	36	54
L-2	37	55
P-2	38	56
B-L	39	57
B-M	40	58
L-1	41	59
P-1	42	60
G-1	43	61
G-2	44	62
B-G	45	63
4-5	46	64

See SPL 22-7069AN

C-3032A - Advanced Fixtures

Page 9 - TYPE: 7069AS HPI (3 & 4 STOP LRV-3)



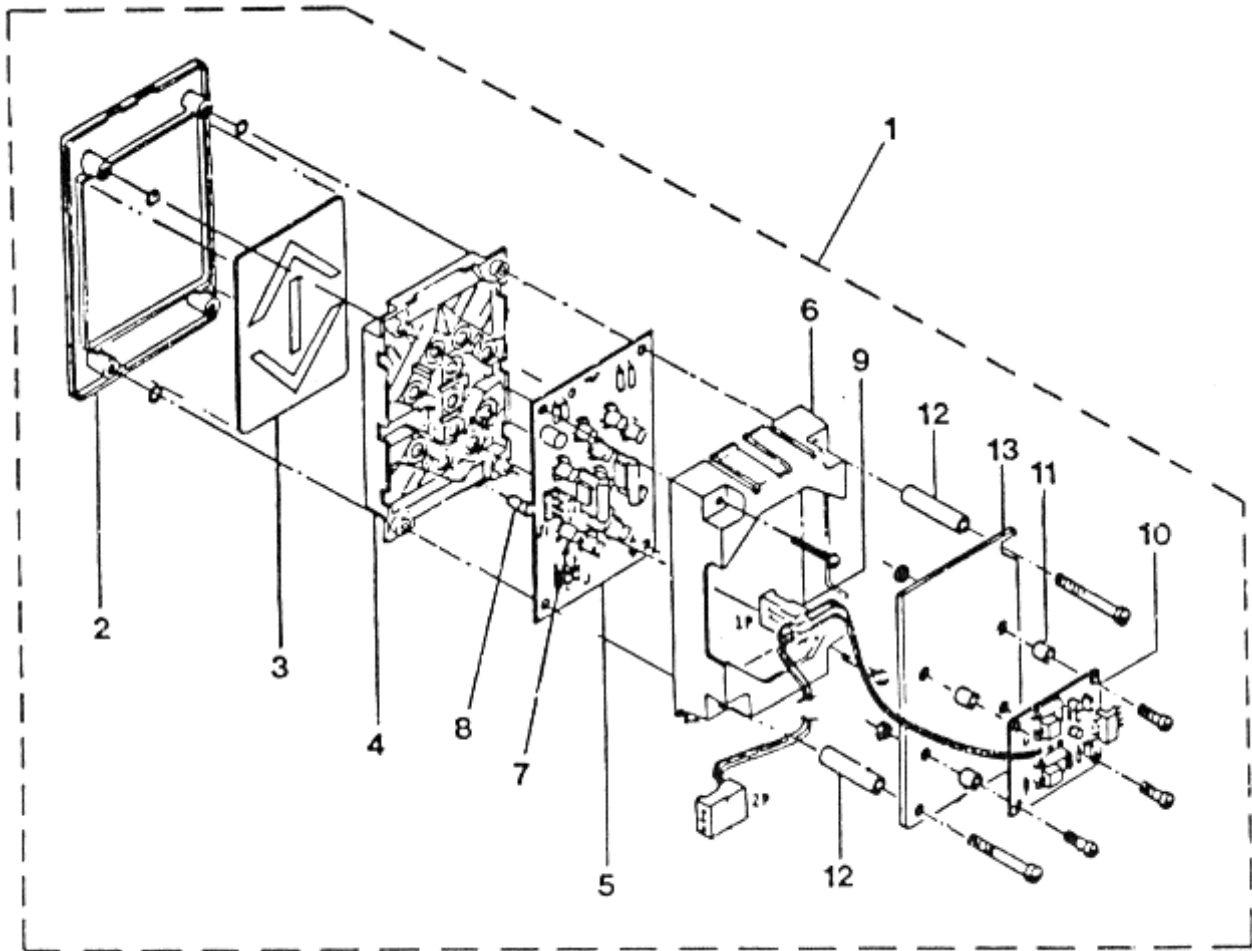
C-3032A - Advanced Fixtures

REF. NO.	PART NO.	QTY.	DESCRIPTION
1	7069AS1	1	°Position Indicator Module Complete, 3&4 Stop System)
2	124CY4	4	Pan Head Screw, Self-Tapping M3X18
RECOMMENDED SPARE PART 3	8200JA1	2	Jewel PC Board w/Lamps and Lamp Sockets
4	278FA1	2	Jewel Reflector, 2.862" X 1.354"
5	443CJ1	1	Lens, Green, 2.756" X 2.810"
6	278FA2	2	Shield, .538" X .260"
MASK MUST BE ORDERED SEPARATELY 7	449BJ--	2	Mask, 2.610" X 1.225" (See Table Page 8)
8	P614AS4	2	Connector, Feed-Thru, 4 Circuits, 22AWG
RECOMMENDED SPARE PART 9	467AT1	4	Lamp Sockets
RECOMMENDED SPARE PART 10	424R1	4	Lamps, Wedge Base, 28V
FOR FACEPLATE ASSEMBLY SEE PARTS LEAFLET C-3031A			

See SPL 32-7069AS

C-3032A - Advanced Fixtures

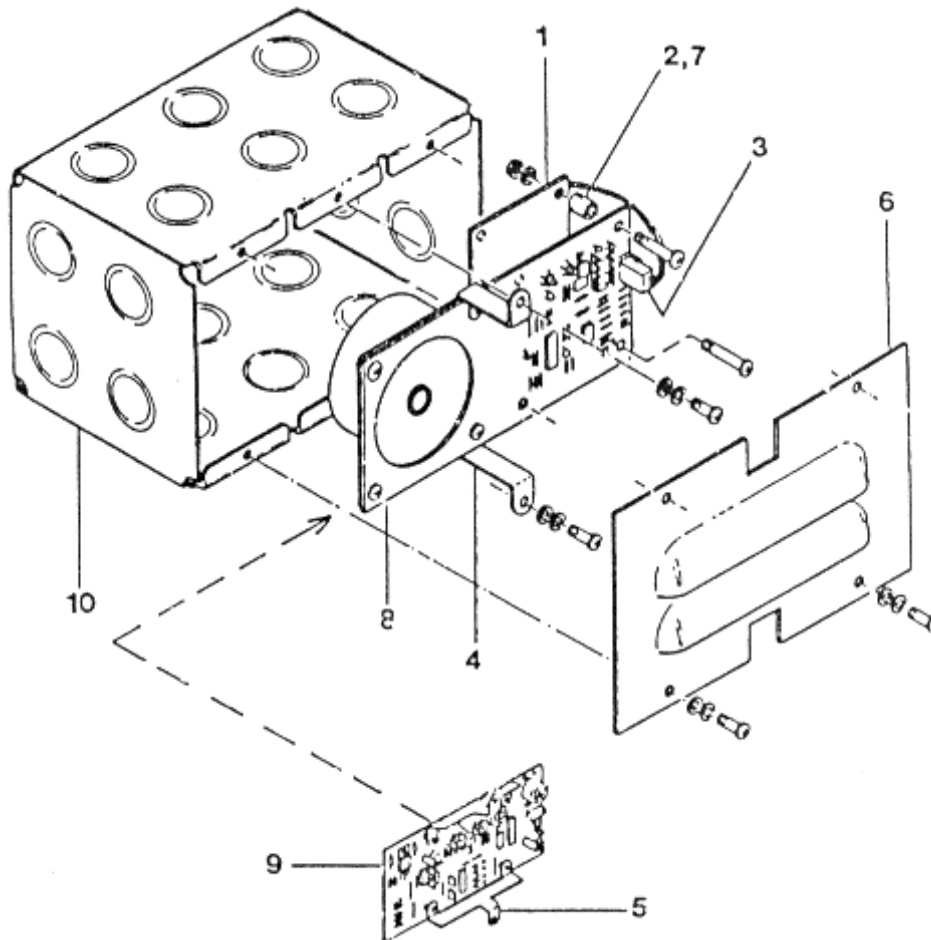
Page 10 - TYPE: 6463T IN-CAR LANTERN



REF. NO.	PART NO.		QTY.	DESCRIPTION
	TYPE	TYPE		
1	6463T1	6463T3	1	Lantern Assembly Complete
2		443CD1	1	Lens, Green, 3.307" W X 5.198" LG.
3		449BH1	1	Diffuser, 2.706" W X 3.386" LG.
4		278HA1	1	Reflector, 2.632" W X 4.246" LG.
RECOMMENDED SPARE PART 5		8200GA1	1	Lantern P.C. Board W/Lamps & Sockets
6		396JH1	1	Lantern Housing, 3.130" W X 5" LG.
RECOMMENDED SPARE PART 7		467AT1	11	Lamp Sockets, 1/2" Dia.
RECOMMENDED SPARE PART 8		424R1	11	Lamp, Wedge Base, 28V
9		P614AS1	1	Connector, 3-Circuits
10		B8121BB1	1	Semi-Conductor Switch Module
11		P462FM8	4	Spacer, .125" LG, 3/16" OD
12		P462FM7	2	Spacer, 1.25" LG, 1/4" OD
13		386BTR1	1	Plate
See SPL 31-6463T/W				

C-3032A - Advanced Fixtures

Page 11 - TOP-OF-CAR GONG ASSEMBLY



REF. NO.	PART NO.	DESCRIPTION
1	B8121BB1	Semi-Conductor Switch PC Board (for LRS3)
2	P462FM11	Standoff, 1/4" OD, 5/16" LG.
3	P614AS1	Connector, 3--Circuit Feed-Thru, 18 AWG
4	283ACT1	Bracket for Assy. w/8200BE1 PCB
5	316DLS1	Bracket for Assy. w/8200HA1 PCB
6	376AMH1	Cover
7	354CB1	Standoff, .2" LG.
RECOMMENDED SPARE PART 8	8200BE1	Gong PC Board (New Design)
9	8200HA1	Gong PC Board (Original Design)
10	--	3-Gang wall Box w/.5" Knockouts
See SPL 31-7003AP/BD		