

**Controller, Elevonic®
101, Ward Leonard &
Direct Drive**

Spare Parts Leaflet

C-3026

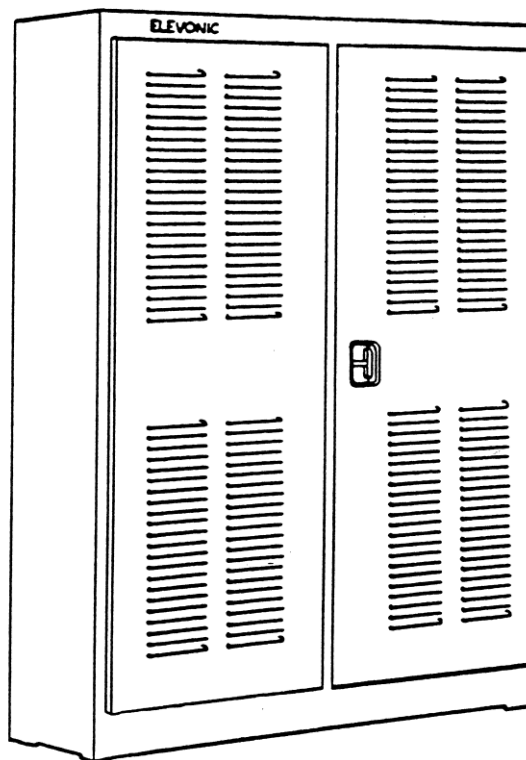
September 28, 2022 / Page 1 of 26

OBSOLESCENCE NOTICE

The product covered in this SPL has been designated as obsolete and is no longer supported. See TIP 32.2-1, *Obsolete Components*, for potential upgrade. Replacement lower-level parts listed within and unique to this design will be reviewed for obsolescence.



SPL 10-HT203100-1
for Elevonic 401
replacement parts



OTIS

This document does not contain any
technical data subject to EAR or ITAR

**SERVICE ENGINEERING
Otis Elevator Company
Bloomfield, Connecticut USA**

Unpublished Work—© Otis Elevator Co.; 2022

Leaflet Description

This leaflet lists Elevonic® car control HT201500-1 Ward-Leonard (101) and HT201600-1 direct drive (101) replacement parts.

Leaflet Revisions

Date Revised	Subject Matter Expert	Reason for Revision
June 1983	---	New SPL
September 1987	---	Updated parts.
September 1, 2009	Matt Fournier	Corrected description of MTC6TR; improved layout and illustrations.
March 16, 2011	Matt Fournier	Included additional part options in ref. 9 on p. 24
December 21, 2011	Matt Fournier	Updated ref. 9 on p. 24
January 8, 2014	Ali Bozorgzadeh	Updated ref. 1 on p. 13
September 28, 2022	Juan Murillo	Updated to include OBSOLESCENCE note on cover

Related Drawings

Drawing No.	Title	Drawing No.	Title
---	---	---	---

Related Documents

Document ID	Title
SPL 10-HT203100-1	Elevonic® 401 Car Controller Ward Leonard Direct Drive
TIP 1.2.0-38	P613AP6, 7 and 9 Aromat Relay Replacement

Subject Matter Expert

Name	Department
Matt Fournier	OSC Service Engineering

About Spare Parts Leaflets...



This document lists the lowest replaceable units (LRUs) for the standard version of the product. The LRUs are chosen by a team of Otis associates representing engineering and manufacturing.

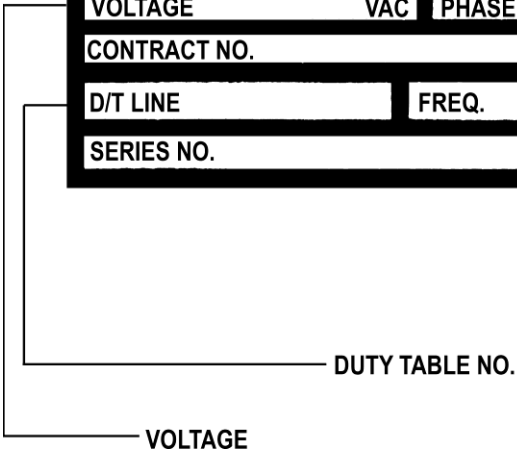
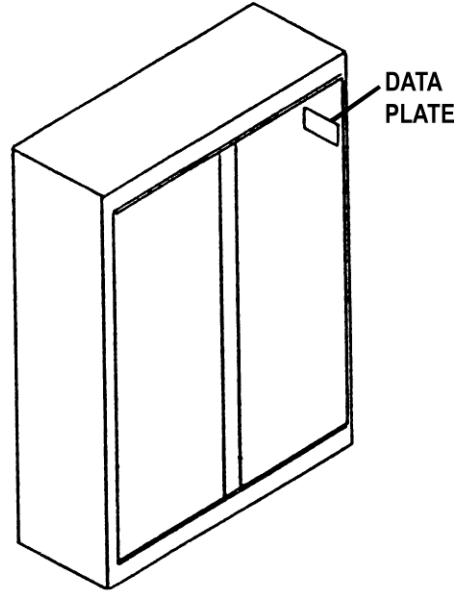
While goal of this document is to make parts identification as easy as possible, the document cannot be all-inclusive. Elevator and escalator contracts classified as “special” or “custom” are not addressed here. For such contracts, please refer to specified information, the contract folder, TIPS, Field Education Articles, Construction Letters, etc. for further information.

If you have any suggestions about this document, please contact the subject matter expert listed on this page.

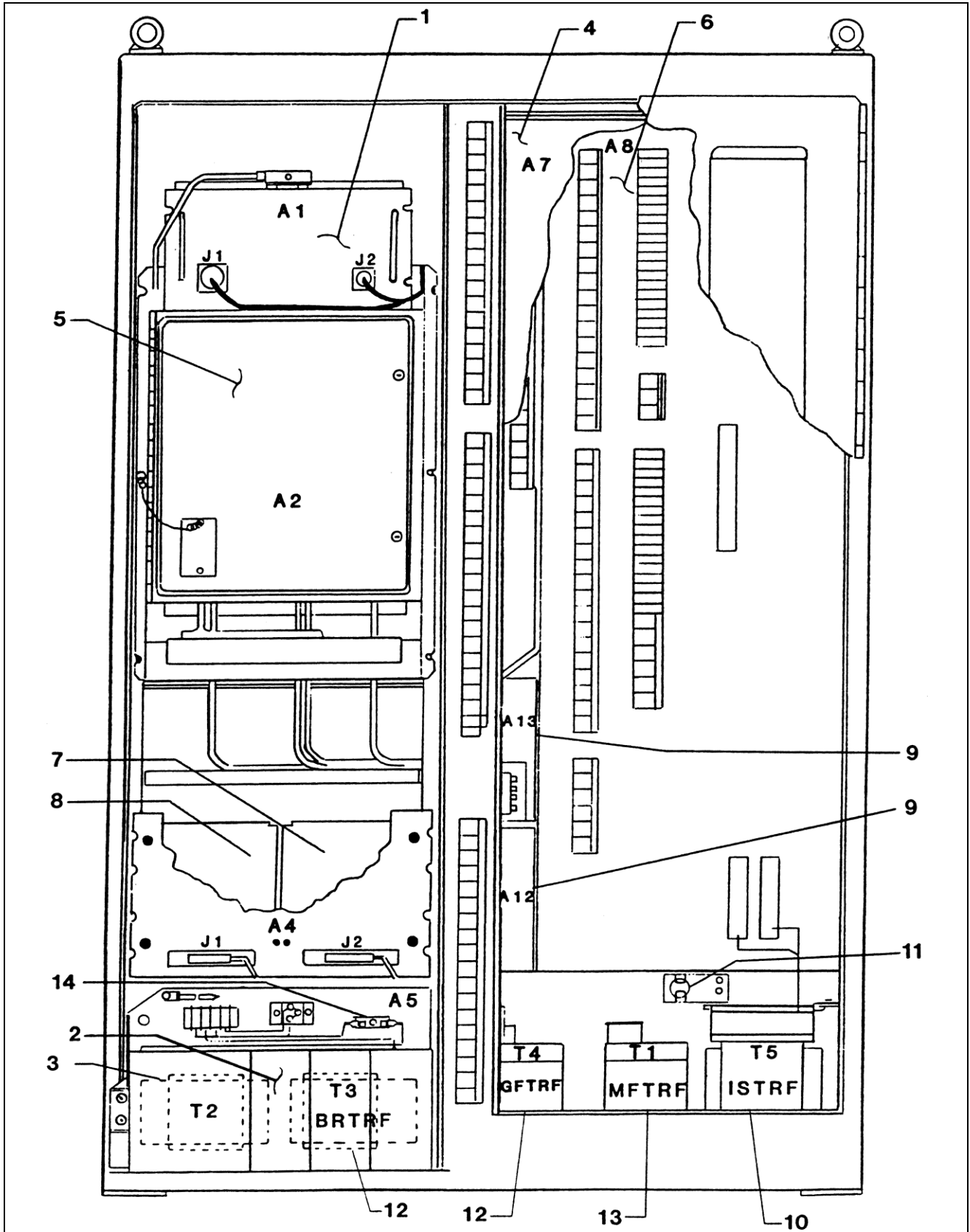
Recommended Spare Parts List

PART No.	DESCRIPTION
A6164BP132-CY1	Switch
A6164BP141-CY1	Switch
A6164BP150-CY1	Switch
A6164BP411-DF4	Switch
A6164BP411-DS5	Switch
A6164BP411-DS6	Switch
AMHP33-110VDC	Relay
E6754A121-EB1	Switch
E6754A122-EB1	Switch
E6754C122-EB2	Switch
E6754C126-EB2	Switch
E6754C128-EB2	Switch
HT2E4735/04-0008	Varistor
HT2E4890/01-0007	Rectifier
HT2E5150/03-0018	Fuse
HT201175-1	Signal Transformer
HT201345-2	Brake Transformer
HT201346-2	Brake/Generator Transformer
HT201347-2	Generator/Motor Transformer
HT201348-2	Motor Transformer
HT201612-1	Isolation Transformer (E-101) 400-480V
HT201717-1	Isolation Transformer (E-101) 550-600V
HT201723-1	PC Board, General Purpose, Full
HT201724-1	PC Board, General Purpose, 1/2
HT201725-1	PC Board, Power Amplifier
HT201733-1	PC Board, Transducer
HT201788-1	PC Board, Processor
HT201817-1	Power Amplifier Module, Motor/Brake
HT201818-1	Power Amplifier Module, Generator
HT203101-1	P C Board, Relay I/O
HT203102-1	PC Board, Group Fixture
HT203103-1	PC Board, Car Fixture
HT203108-1	Main Power Transformer (E-401)
HT203137-1	Isolation Transformer (E-401) 400-480V
HT203138-1	Isolation Transformer (E401) 550-600V
HT590455-11	Fuse Cartridge
POWCP429	Power Supply
226W1	Condenser

HAMILTON TEST SYSTEMS		 United Technologies	
PRINT NAME	TYPE		
VOLTAGE	VAC	PHASE	AMPS
CONTRACT NO.			
D/T LINE	FREQ.		
SERIES NO.			



Within this document parts are specified to meet your installation's individual requirements. To ensure your correct replacement part, determine your particular specification from the data plate, located upper right inside corner of controller cabinet, as illustrated above.



See illustration on page 5.

REF. No.	PART No.	QTY	DESCRIPTION
1	---	1	Power Supply Assembly, See Page 26
2	HT201369-1	1	Battery Assembly
3	HT203108-1	1	Transformer, Main Power (E-401)
3	HT201355-2	1	Transformer, Main Power (E-101)
4	---	1	Relay Panel, Swing, A7, See Pages 16–22
5	---	1	PC Board Chassis, See Pages 8–9
6	---	1	Relay Panel, Fixed, A8, See Page 12–15
7	HT201817-1	1	Power Amplifier, Motor Field/Brake
8	HT201818-1	1	Power Amplifier, Generator Field
9	POWCP429	2	Power Supply
10	---	1	Isolation Transformer, See Table A
11	HT2E4735/04-0008	1	Varistor
12	---	2	Transformer, Brake/Generator, See Table B
13	---	1	Transformer, Motor Field, See Table B
14	HT590455-11	1	Fuse Cartridge

Table A: Transformer Voltage

C-3026

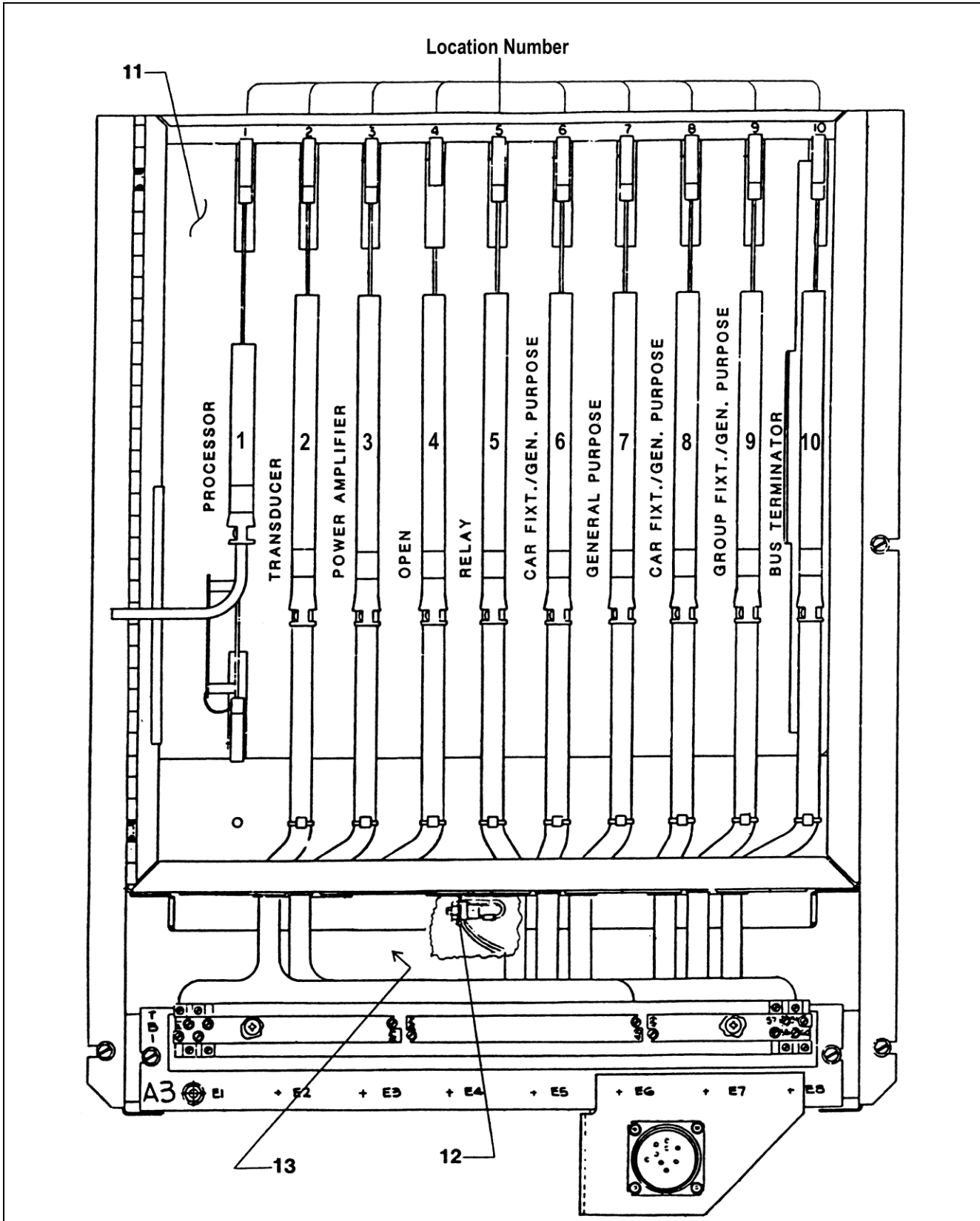
Table B: Transformer Duty Table No.

Table A: Isolation Transformer Voltage

PART No.		VOLTAGE
E-101	E-401	
HT201715-1	HT203134-1	200, 208, 220, 230, 240
HT201716-1	HT203136-1	346, 380
HT201612-1	HT203137-1	400, 416, 440, 460, 480
HT201717-1	HT203138-1	550, 575, 600

Table B: Transformer Duty Table No.

D/T LINE	REF. No. / PART No.		
	13/T1	12/T3	12/T4
1, 2, 4-6, 8-10, 15, 16, 17, 18B, 22, 23, 24A, 29-30A	HT201347-2	HT201345-2	With light duties only, HT201346-2
3A, 7A, 10A, 11A, 15A, 17A, 18A, 22A, 23A	HT201348-2	HT201346-2	
3, 7, 11, 12, 18, 19, 24, 31-33, 38			
13, 14, 20, 21, 25-28, 34-37, 39-41			HT201346-2
42			---



Cardfile Assembly A2

C-3026

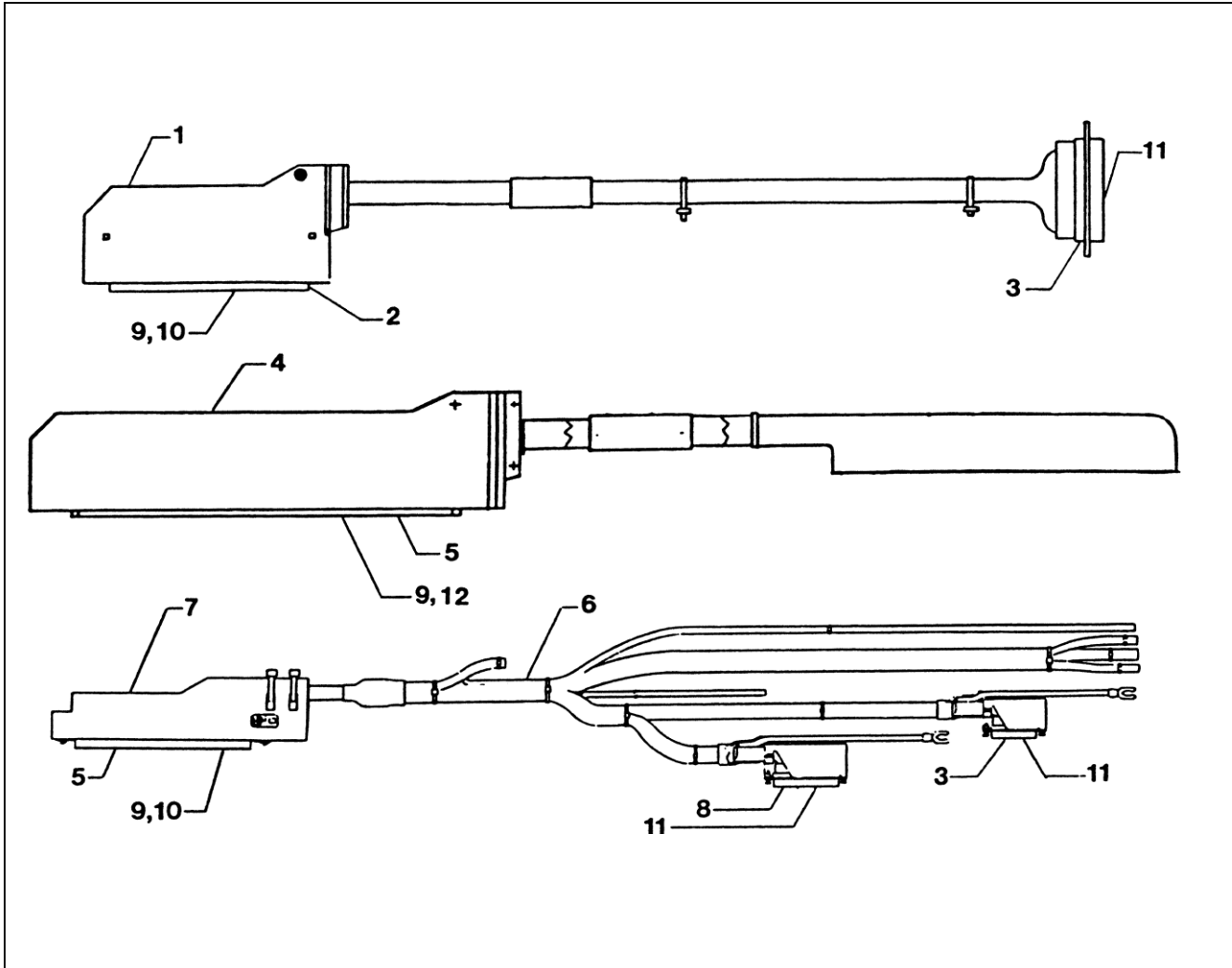
PCB PART No.	PCB DESCRIPTION
HT201723-1	General Purpose, Full
HT201724-1	General Purpose, One Half
HT201725-1	Power Amplifier
HT201725-2	Power Amplifier
HT201725-3	Power Amplifier
HT201733-1	Transducer
HT201734-5	Relay
HT202088-2	Relay
HT201736-1	Bus Terminator
HT201788-1	Processor
HT203101-1	Relay
HT203103-1	Car Fixtures
HT201727-1	Interconnect

PCB Location No.	Ward-Leonard 101	Ward-Leonard 401	Direct Drive 101	Direct Drive 401
1	HT201788-1	HT201788-1	HT201788-1	HT201788-1
2	HT201733-1	HT201733-1	HT201733-1	HT201733-1
3	* HT201725-2	* HT201725-2	HT201725-1	HT201725-1
	* HT201725-3	* HT201725-3	HT201725-1	HT201725-1
4	PC Board Position Not Used			
5	HT201734-5	HT203101-1	HT202088-2	HT20310-1
6	HT201723-1	HT203103-1	HT201723-1	HT203103-1
7	* HT201723-1	HT201723-1	* HT201723-1	HT201723-1
	* HT201724-1	HT201723-1	* HT201724-1	HT201723-1
8	* HT201723-1	* HT201723-1	* HT201723-1	* HT201723-1
	* HT201724-1	* HT201724-1	* HT201724-1	* HT201724-1
	---	* HT201723-1	---	* HT201723-1
9	* HT201723-1	* HT201723-1	* HT201723-1	* HT201723-1
	* HT201724-1	* HT201724-1	* HT201724-1	* HT201724-1
	---	* HT203102-1	---	* HT203102-1
10	HT201736-1	HT201736-1	HT201736-1	HT201736-1
11**	HT201727-1	HT201727-1	HT201727-1	HT201727-1

PCB Location No.	PART No.	DESCRIPTION
12	HT201191-1	Temperature Sensor
13**	HT202326-1	Fan

* Type and/or usage per contract condition

** General location, part not illustrated.



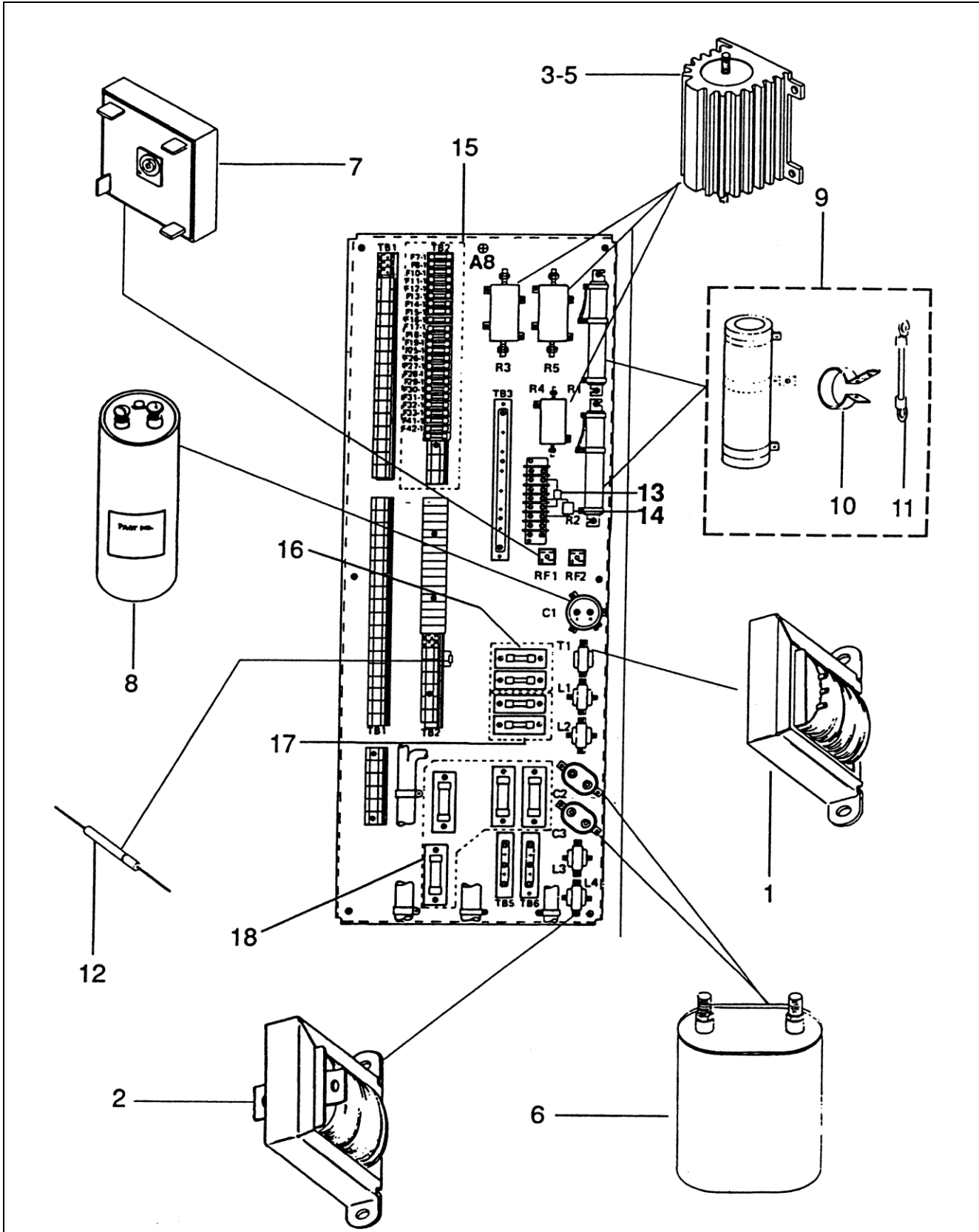
REF. No.	PART No.	DESCRIPTION	PCB Location No.
1	HT530088-3	Hood	1
2	HT583725-1	Pc Edge Connector	1
3	HT205207-1	Receptacle	1, 3
4	HT1-530088-6	Hood	4 THRU 10
5	HT583552-1	Connector	3 THRU 10
6	HT8762	Cable	3
7	HT202028-1	Hood	3
8	HT205209-1	Connector	3
9	HT583361-3	Contacts	1, 2, 3, 4, 5, 10
10	HT66084-3	Contacts	1, 3, 10
11	HT66504-3	Contacts	1, 3
12	HT583204-2	Contacts	6-9

NOTE: See application and contact location table on next page.

Contact Location

C-3026

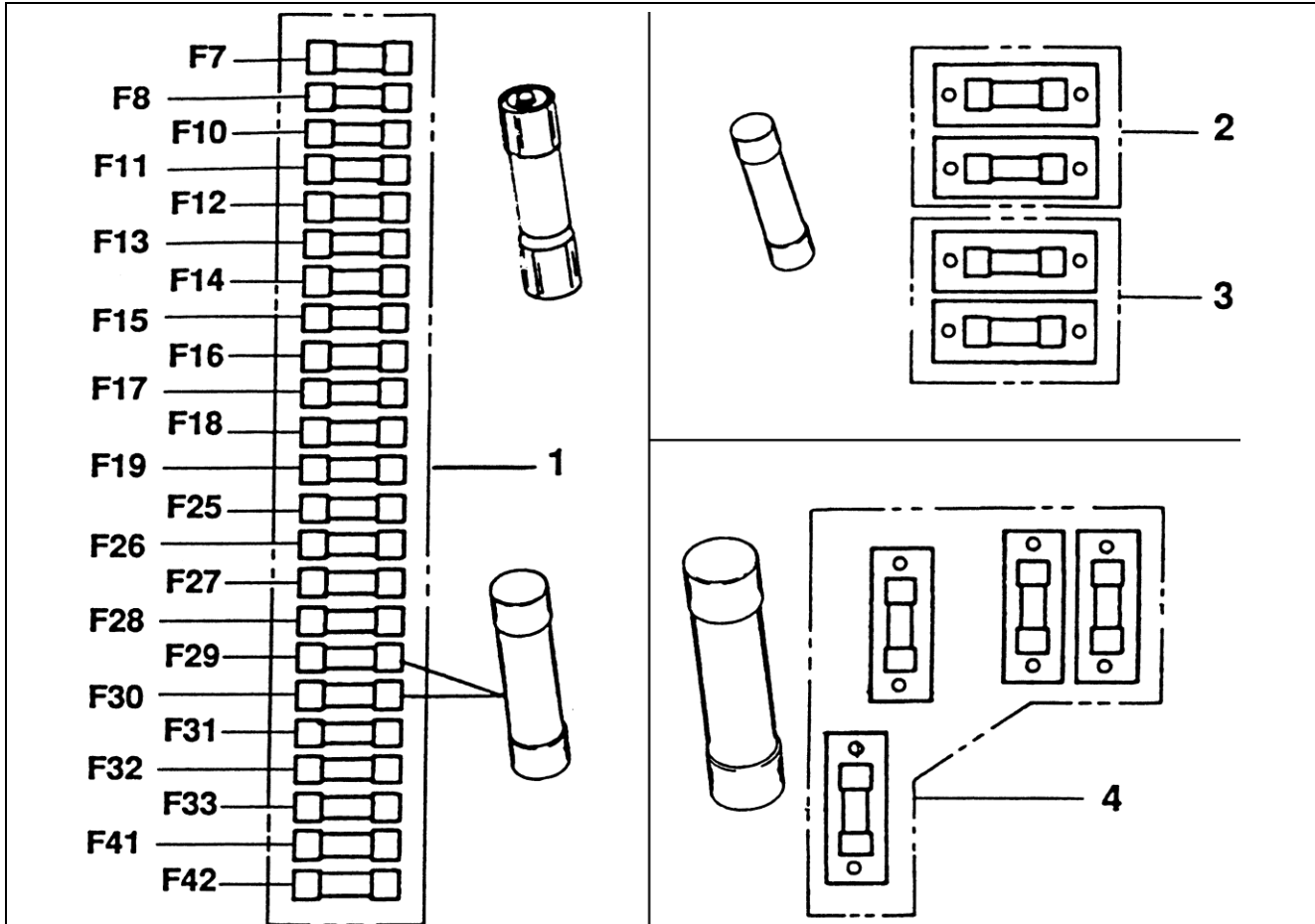
		CONTACTS PART No. / LOCATION			
PCB Location No.	PCB PART No.	HT583361-3	HT66084-3	HT66504-3	HT583204-2
1	HT201788-1	N, T, P, S, R, U, M	11-17	2-7, 20	---
2	HT201733-1	1-5, 27-36, A, B, C, D, E, e, f, h, j, k, l, m, n, p, r	---	---	---
3	HT201725-1	1, 2, 4, 5, 10-12, 24-26, 36, A, C, D, E, H, L, M, N, a, b, c, d, f, h, p, r	7, 23, 28, 34, 35	1-4, 14-23, 27-32, 34-37	---
	HT201725-2 HT201725-3	1, 2, 4-6, 10-12, 24, 26, 29, 30, 33-36, A, B, D, E, F, H, J, L, M, N, a, b, c, f, h, m, n, p, r	7, 23, 28	HT205207-1: 1-5, 10-20, 22-25 HT205209-1: 1-4, 14-3, 27-32, 34-37	---
5	HT201734-5 HT202088-2 HT203101-1	1, 2, 33-36, A, B, C, D, E, F, H, J, K, L, M, N, P, R, S, T, U, V, W, X, Y, Z, a, b, c, d, e, f, h, j, k, l, m, n, p, r	---	---	---
6	HT201723-1 HT203103-1	---	---	---	1-36, A, B, C,
7	HT201723-1 HT201724-1	---	---	---	D, E, F, H, J, K,
8	HT201723-1 HT201724-1 HT203103-1	---	---	---	L, M, N, P, R, Z,
9	HT201723-1 HT201724-1 HT203102-1	---	---	---	a, b, c, d, e, f, h, j, k, l, m, n, p, r
10	HT201736-1	1, 3-5, 12-29, A, C, D, E, N, P, R, S, a, b, c, d, e, f, h	T, U, V, W, X, Y, Z	---	---



See illustration on page 12.

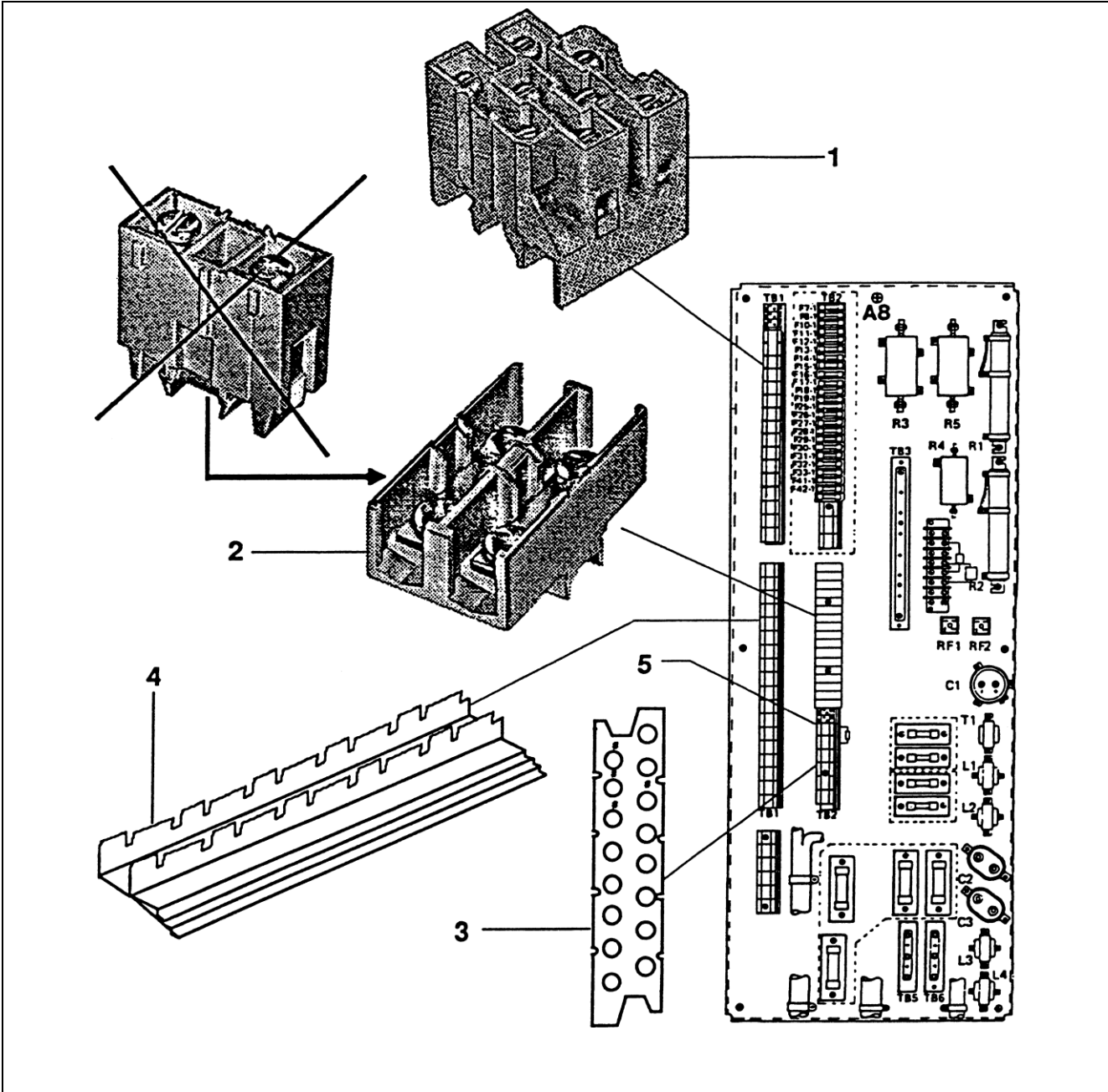
W/O VINTAGE			
REF. No.	PART No.	DESCRIPTION	REMARKS
1	HT201175-1	Transformer, Zero Cross	T1
2	HT201173-1	Choke Filter	L1, L2, L3, L4
3	HT2E4755/10-0002	Resistor, Mtr. Field	R3
4	HT2E4755/11-0001	Resistor, Brake Field	R4
5	HT2E4755/10-0004	Resistor, Gen. Field	R5
	HT203823-1		C2, C3
6	HT202107-1	Capacitor	RF1
7	HT2E4890/01-0007	Rectifier	C1
8	HT2E1580/01-0007	Capacitor	R1, R2
9	232E133	Resistor Assy.	
10	297H2	Band	
11	175J60	Conductor	
12	HT593660-7	Diode	
	P612J2		
13	HT2E593660-7	Diode	
14	HT201553-0001	Resistor	
15	---	Fuse, Indicating	For details, part numbers and locations of fuses, see page 14.
16		Fuse, 250V, 15A	
17		Fuse, 250V, 25A	
18		Fuse, 250V, 40A	

Fuses For Fixed Power Panel Assembly - A8



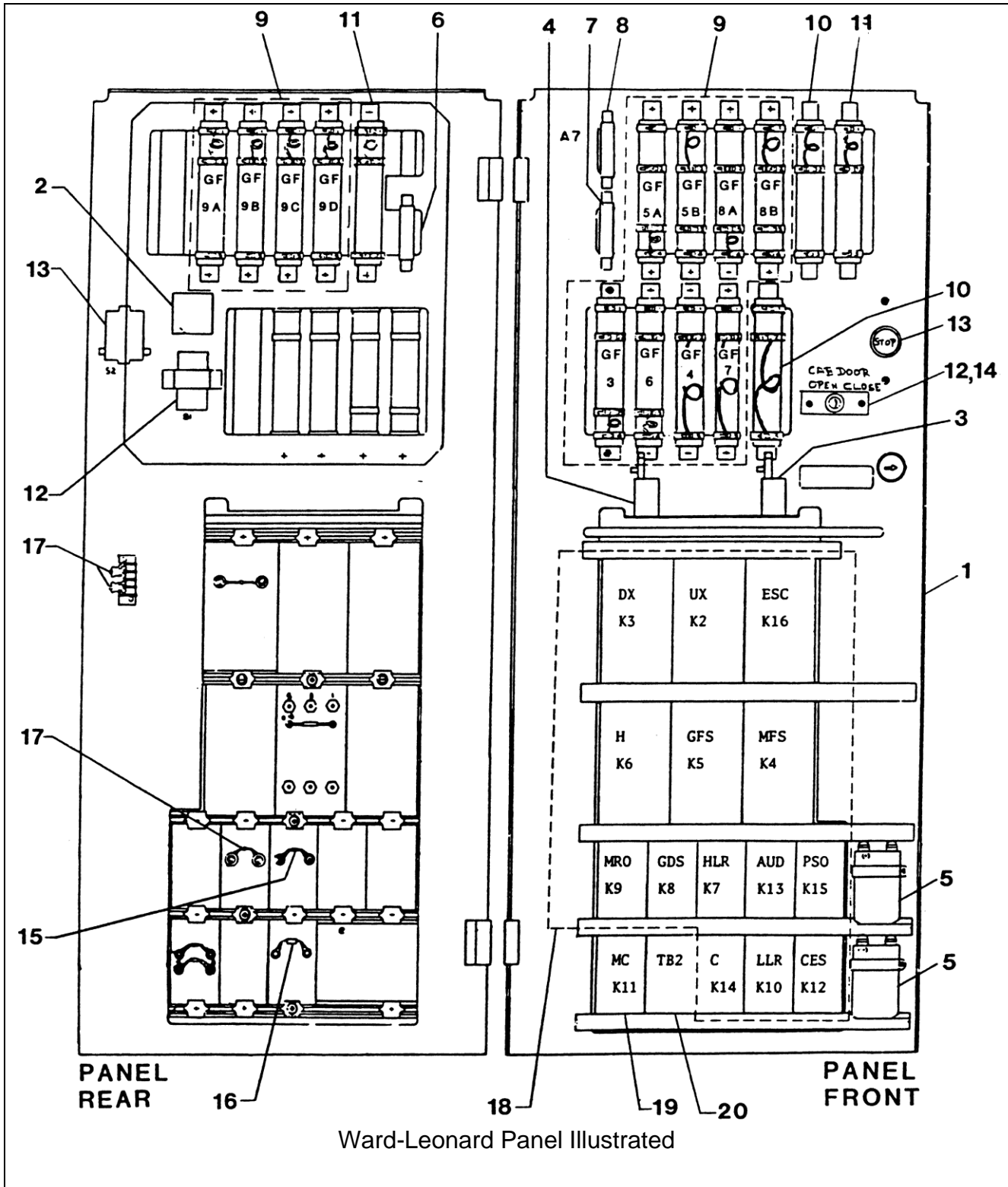
W/O VINTAGE

REF. No.	PART No.	FUSE LOCATIONS		
		Ward-Leonard	Direct Drive	FUSE
1	HT2E5150/10-0001	F18, F32	F15, F18, F31, F35, F36	250V 1A
	HT2E5150/10-0002	---	F11	250V 2A
	HT2E5150/10-0004	F7, F8, F10, F12, F13, F14, F15, F25, F26	F7, F8, F12, F13, F14, F17, F19, F25, F26, F41, F42	250V 5A
	HT2E5150/10-0005	F11, F16, F19	F16	---
	HT2E5150/10-0006	F27, F28	F27, F28	250V 15A
	HT2E5150/10-0018	F29, F30	F29, F30	250V 2.5A
	HT2E5150/07-0004 HTKTK-R-6	---	F32, F33	600V 6A
2	HT2E5150/07-0002	F3, F4	F3, F4	250V 15A
3	HT2E5150/07-0003	F5, F6	F5, F6	250V 25A
4	FRN40	F21, F22, F23, F24	F21, F22, F23, F24	250V 40A
	FRN25	F21, F22, F23, F24	F21, F22, F23, F24	250V 25A



W/O VINTAGE		
REF. No.	PART No.	DESCRIPTION
1	HT202041-1	Terminal Block, 25 Amp
2	HTNU2	Terminal Block, #18-4 Wire, 600 V
3	HT202558-27	Marker Strip, 30-53
	HT202558-28	Marker Strip, 54-57
4	HT201215-10	Rail
5	MTC6TR	Marking Strip, Attach with Double-Sided Tape

Elevonic 101 Swing Panel Assembly A7



Elevonic 101 Swing Panel Assembly A7

C-3026

See illustration on page 16.

REF. No.	PART No.	QTY	DESCRIPTION
1	HT201763-1	1	Swing Panel Assy., Ward-Leonard
1	HT201801-1	1	Swing Panel Assy., Direct Drive
2	HT2E4890/01-0007	1	Rectifier
3	226H3	1	Condenser
4	226H4	1	Condenser
5	226W1	2	Condenser
6	232BA28	1	Resistor
7	232B174	1	Resistor
8	232B220	1	Resistor
9	232E()	- - -	Resistor (see Table H)
10	232E25	2	Resistor
11	232E37	2	Resistor
12	6410H1	1	Keyswitch (for Detail, see SPL C-1031)
13	7014A1	1	Switch (for Detail, see SPL C-1024)
14	340AA2	1	Collar
15	HT593660-7	- - -	Diode (see Table F)
16	HTV180MA3B	1	Varistor (see Table F)
17	HT202132-01	- - -	Diode (see Table F)
18	- - -	- - -	Switches (see Table E)
19	A6164BP411-()	- - -	Switch, Mc (see Table G)
20	433FE2	1	Auxiliary Terminal Board

Table E: Relay Switches

Table E: Relay Switches

Switch Part No.	LOCATION			
	Ward-Leonard 101	Ward-Leonard 401	Direct Drive 101	Direct Drive 401
AMHP33-110VDC	---	K9, K10, K11, K12, K13, K14, K14X, K29	---	K9, K10, K11, K11X, K12, K13, K14, K14X, K15, K16, K17, K29
E6754A121-EB1	K4	K20	K4	K19
E6754A122-EB1	K2, K3	K15, K16	---	---
E6754A126-EB2	K6	K21	---	---
A6164BP132-CY1	K9, K13, K7, K15, K10	---	K9, K15, K16, K12, K13, K7, K14	---
A6164BP141-CY1	K14	---	K10	---
A6164BP732-CZ1	K12	---	K13	---
A6164BP150-CY1	K8	---	K8	---
E6754A128-EB1	---	---	K5, K6	K20, K21
E6754C122-EB2	K16	K17	---	---
E6754C128-EB2	K5	K19	---	---
AMHC2K-100VDC	---	K26	---	K26
AMHP33-AC115V-H1	---	K1, K2, K3, K4, K5, K6, K6X, K7, K7X, K8, K8X, K28, K27X, K28X, K22, K23, K24, K25	---	K1, K2, K3, K4, K5, K6, K6X, K7, K7X, K8, K8X, K27, K28, K27X, K28X, K22, K23, K24, K25

Table F: Diodes/Varistors**C-3026****Table G: MC Switch****Table F: Diodes / Varistors**

Diode/Varistor Part No.	LOCATION			
	Ward-Leonard 101	Ward-Leonard 401	Direct Drive 101	Direct Drive 401
HT593660-7	K7, K8, K9, K10, K15, K2, K3, K4, K5, K6, K12	K10, K12, K13, K14, K15, K16, K17, K19, K20, K29, K21, K26, K9, CR16	K13, K7, K8, K9, K12, K15, K4, K5, K6, CR10	K9, K10, K12, K13, K14, K15, K16, K17, K19, K20, K21, K26, K29, CR16
HTV180MA3B	K14	K11	K10	K11
HT202132-01	K13, K16, CR16, CR17	CR15	K14, K16, CR18, CR19	CR15

Table E: MC Switch

Duty Line No.	Part No. (see NOTE)
1, 2, 4-6, 8, 9, 15	A6164BP411-DF4
10, 16, 17, 18B, 22, 23, 24A, 29, 30A	A6164BP411-DS6
3-3A, 7-7A, 10A-14, 15A, 17A, 18A, 19-21, 22A, 23A-24, 25-28, 31-42	A6164BP411-DS5

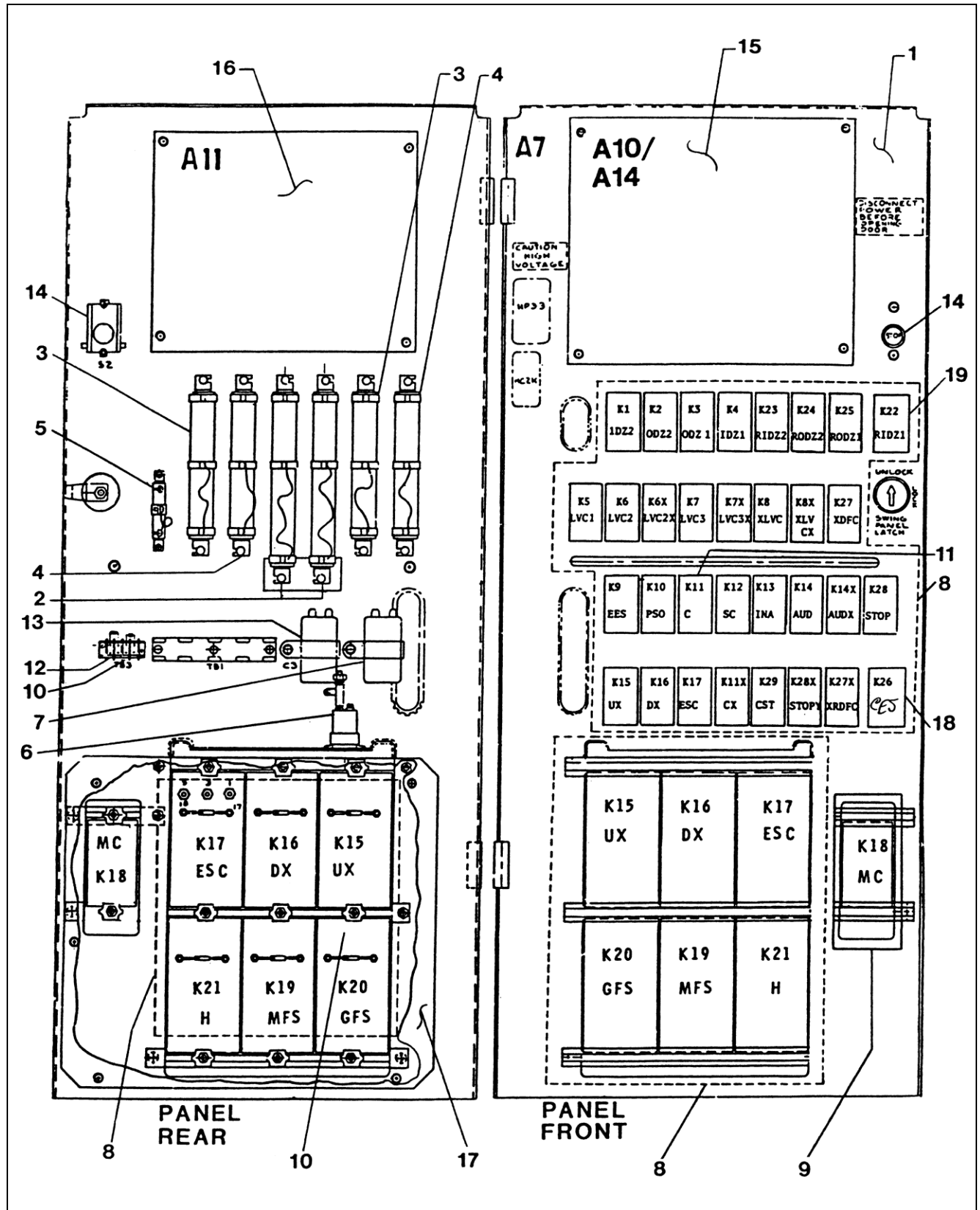
NOTE: For A6164BP switch detail, see SPL C-922.

For E6754 switch detail, see SPL C-971.

C-3026**Table H: Resistors 232E(..)**

D/T Line	GF3	GF4	GF5A	GF5B	GF6	GF7	GF8A	GF8B	GF9A	GF9B	GF9C	GF9D																																	
1	177	37	176	175	177	42	151	175	27	27	27	27																																	
2	179	37	175	175	179			42	151	177	28	28	28	28																															
3										175	30	30	30	30																															
3A										177	177	177	179	44	179	179	27	27	27	27																									
4	28				28												28	28																											
5	179				177												179	177	44	179	179	30	30	30	30																				
6																						27	27	27	27																				
7	177				179					177	179	44	179	179	179	28	28	28	28																										
7A																30	30	30	30																										
8	179				42					175	175	179	42	152	179	30	30	30	30																										
9						177	177													179	44	152	179	179	30	30	30	30																	
10		27	27	27				27																																					
10A	177	37	175	175	179	42	152	179	30	30	30	30																																	
11													179	177	179	44	151	177	179	30	30	30	30																						
11A																								28	28	28	28																		
12	179	42	175	177	179	44	151	177	27	27	27	27																																	
13													177	177	179	44	151	177	177	27	27	27	27																						
14																								45	152	179	28	28	28	28															
15																								42	151	177	27	27	27	27	27	27													
15A	44	151	177	27	27	27	27																																						
16	179	37	175	175	179	42	152	151	179	28	28	28																																	
17													177	177	179	44	152	179	179	30	30	30	30																						
17A																								179	177	179	44	181	179	179	27	27	27	27											
18																																			42	175	177	47	152	179	179	26	26	26	26
18A																																													
18B	177	42	175	177	179	44	152	179	181	28	28	28																																	
19													179	177	179	44	151	177	179	179	27	27	27	27																					
20																									27	27	27	27																	
21	179	37	175	177	179	44	151	177	26	26	26	26																																	
22													177	42	175	177	179	47	152	179	181	28	28	28																					
22A	179	177	179	44	151	177	179	179	27	27	27	27																																	
23																									181	28	28	28	28																
23A	177	42	175	177	179	44	151	177	26	26	26	26																																	
24													179	177	179	44	151	177	179	179	27	27	27	27																					
24A																									177	177	179	44	151	177	179	179	27	27	27	27									
25																																					181	28	28	28	28				
26	179	37	175	177	179	42	151	177	28	28	28	28																																	
27													177	42	175	177	179	47	152	179	181	27	27	27																					
28	179	177	179	44	151	177	179	179	27	27	27	27																																	
29																									27	27	27	27																	
29A	179	37	175	173	179	37	148	177	27	27	27	27																																	
30													177	177	179	42	151	177	179	179	28	28	28	28																					
30A																									27	27	27	27																	
31	177	42	175	173	179	37	148	177	28	28	28	28																																	
32													179	37	175	173	177	37	148	177	27	27	27	27																					
33	177	177	179	42	151	177	179	179	26	26	26	26																																	
34																									181	28	28	28	28																
35	179	42	175	173	179	42	151	177	27	27	27	27																																	
36													177	42	175	177	179	44	152	179	181	27	27	27																					
37	179	177	179	44	151	177	179	179	27	27	27	27																																	
38																									26	26	26	26																	
39	177	37	175	173	179	37	148	177	27	27	27	27																																	
40													179	42	175	177	179	47	152	179	181	28	28	28																					
41	26	26	26	26																																									

Elevonic 401 Swing Panel Assembly A7**C-3026**



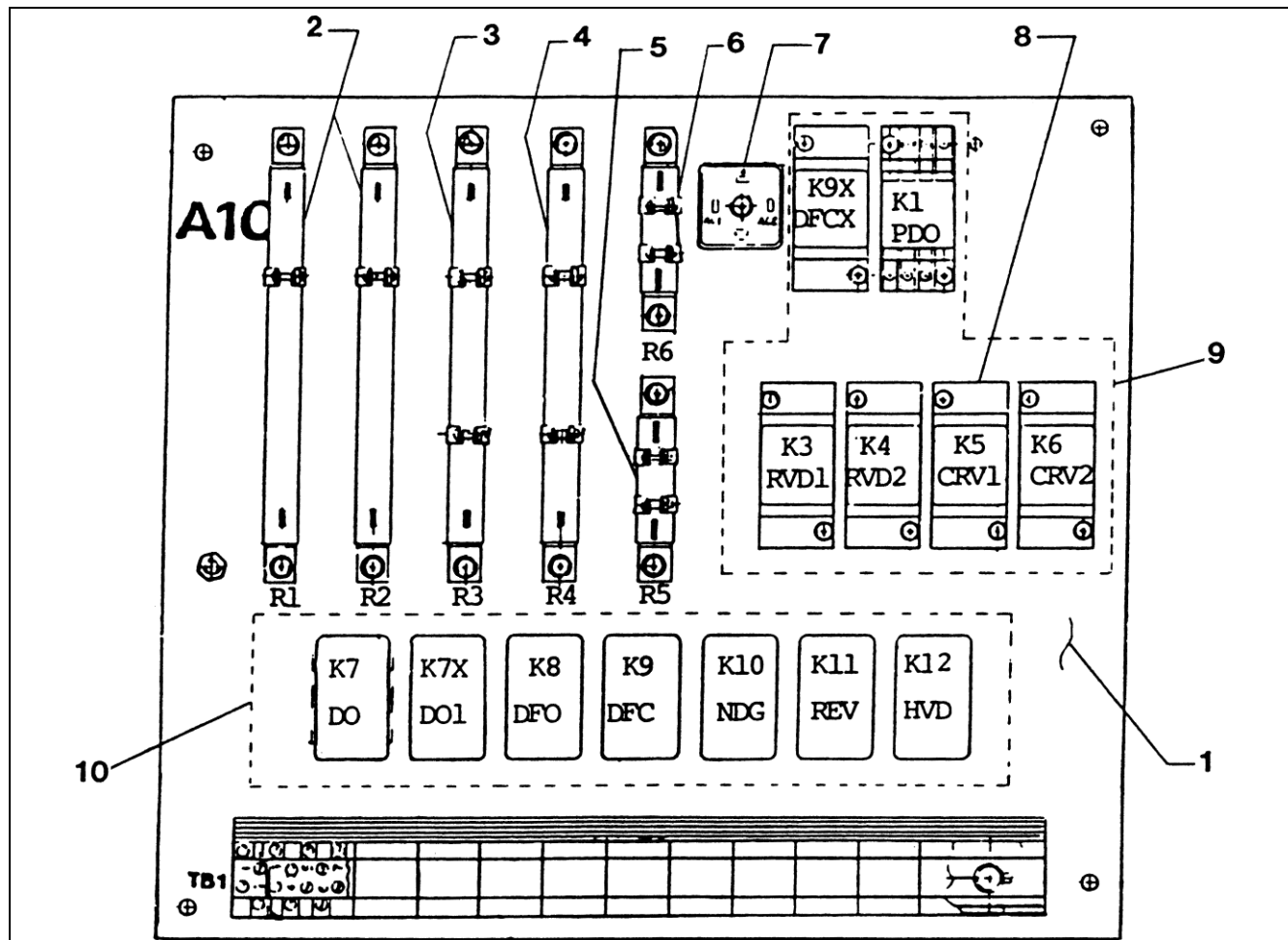
See Illustration on page 21.

REF. No.	PART No.	QTY	DESCRIPTION
1	HT203125-1	1	Swing Panel Assembly, Ward-Leonard
1	HT203135-1	1	Swing Panel Assembly, Direct Drive
2	OHM01360B	2	Resistor
3	232E25	2	Resistor
4	232E37	2	Resistor
5	232B220	1	Resistor
6	226H3	1	Condenser
7	HTCG501U150R3C	1	Condenser
8	---	---	Switches (see Table E)
9	A6164BP411-()	1	Switch, MC, (see Table G)
10	HT593660-7	---	Diode (see Table F)
11*	HTV180MA3B	1	Varistor (see Table F)
12	HT202132-01	---	Diode (see Table F)
13	226W1	1	Condenser
14	7014A1	1	Switch (for detail, see leaflet C-1024)
15	HT203104-1	1	Front Door Panel Assembly, A10 (page 23)
15	HT203147-1	1	Front Door Panel Assembly, A14 (page 23)
16	HT203106-1	1	Rear Door Panel Assembly, A11 (page 23)
17	HT203128-1	1	Panel Assy., CEN, A15 (page 25)
18*	AMHC-HSF	1	Relay Socket, K26
19*	AMHP3-SF	One per corresponding type relay switch	Relay Socket

* General location, part not illustrated.

OVL Front Door (A10) & Rear Door (A11) Panel Assembly

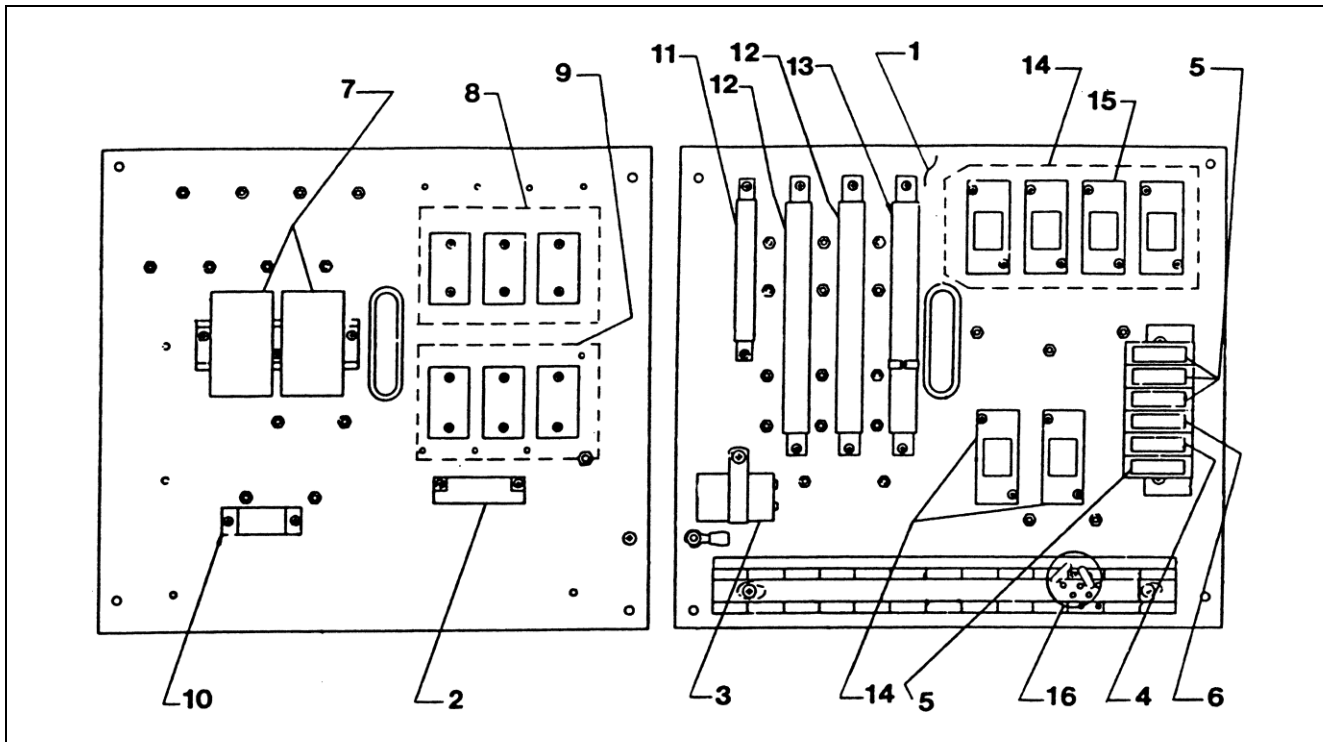
C-3026



OVL Door Panel Illustrated

REF. No.	PART No.	QTY	DESCRIPTION
1	HT203104-1	1	OVL Front Door Panel, A10
1	HT203118-1	1	Rear Door Panel Assembly, A11
2	OHM0775B	2	Resistor
3	OHM0774	1	Resistor
4	OHM0775	1	Resistor
5	OHM0371	1	Resistor
6	OHM0368	1	Resistor
7	HTMDA3504	1	Rectifier
8*	AMHC-HSF	---	Socket, Relay
9	AMHC4D-115VAC	6	Relay (with A10 Panel Assembly)
9	AMHC40-115VAC	5	Relay (with A11 Panel Assembly)
10	AMVC15-2A2B-AC115V	7	Power Relay, Heavy Duty

* General location, part not illustrated.

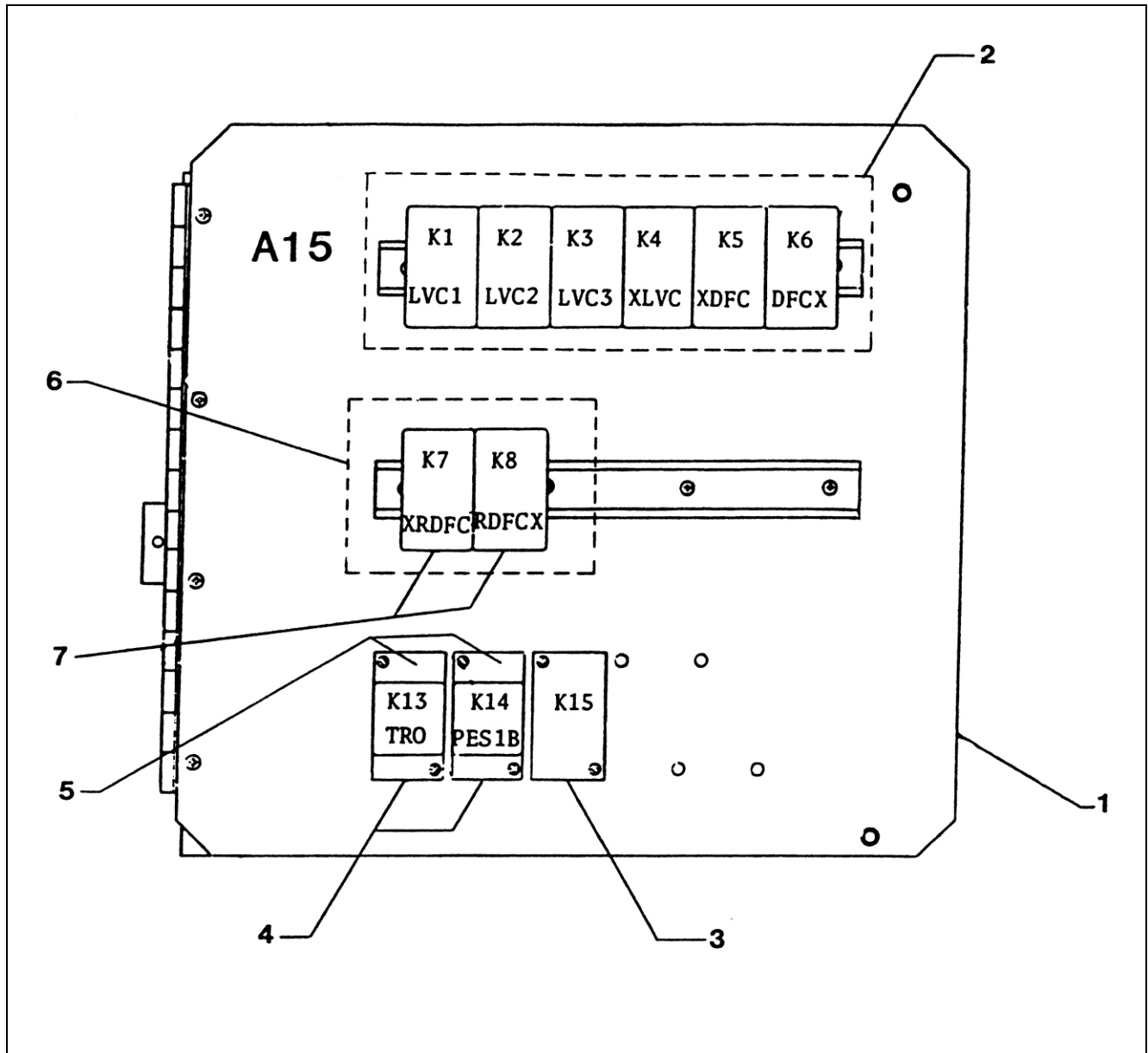


REF. No.	PART No.	QTY	DESCRIPTION
1	HT203147-1	1	6970 Door Panel Assembly, A14
2	HT204156-1	1	Timer Assembly
3	HTCG2750U150R2C	1	Capacitor
4	HT2E5150/10-0003	1	Fuse Cartridge, 3 Amps
5	HT2E5150/10-0004	4	Fuse Cartridge, 5 Amps
6	HT2E5150/10-0005	1	Fuse Cartridge, 10 Amps
7	HTRCN441	2	Relay Switch
8	AMVC15-2A/2BAC115	3	Relay Switch
9	P613AP6 AAA24831M6 AAA613DL17	3	Relay Switch, See NOTE
10	HT2E4890/04-0005	1	Rectifier
11	OHM0560C	1	Resistor 3 Ohm, 50 Watts
12	OHM0959	2	Resistor, 50 Ohm, 100 Watts
13	OHM0962	1	Resistor, 100 Ohm, 100 Watts
14	AMHC4D-115VAC	6	Relay Switch
15	AMHC-HSF	6	Relay Socket
16	HT2E4735/01-0004	2	Varistor

NOTE: For first time replacement, order AAA24831M_; for subsequent replacements, order AAA613DL_. Refer to TIP 1.2.0-38, P613AP6, 7 and 9 Aromat Relay Replacement, for replacement options.

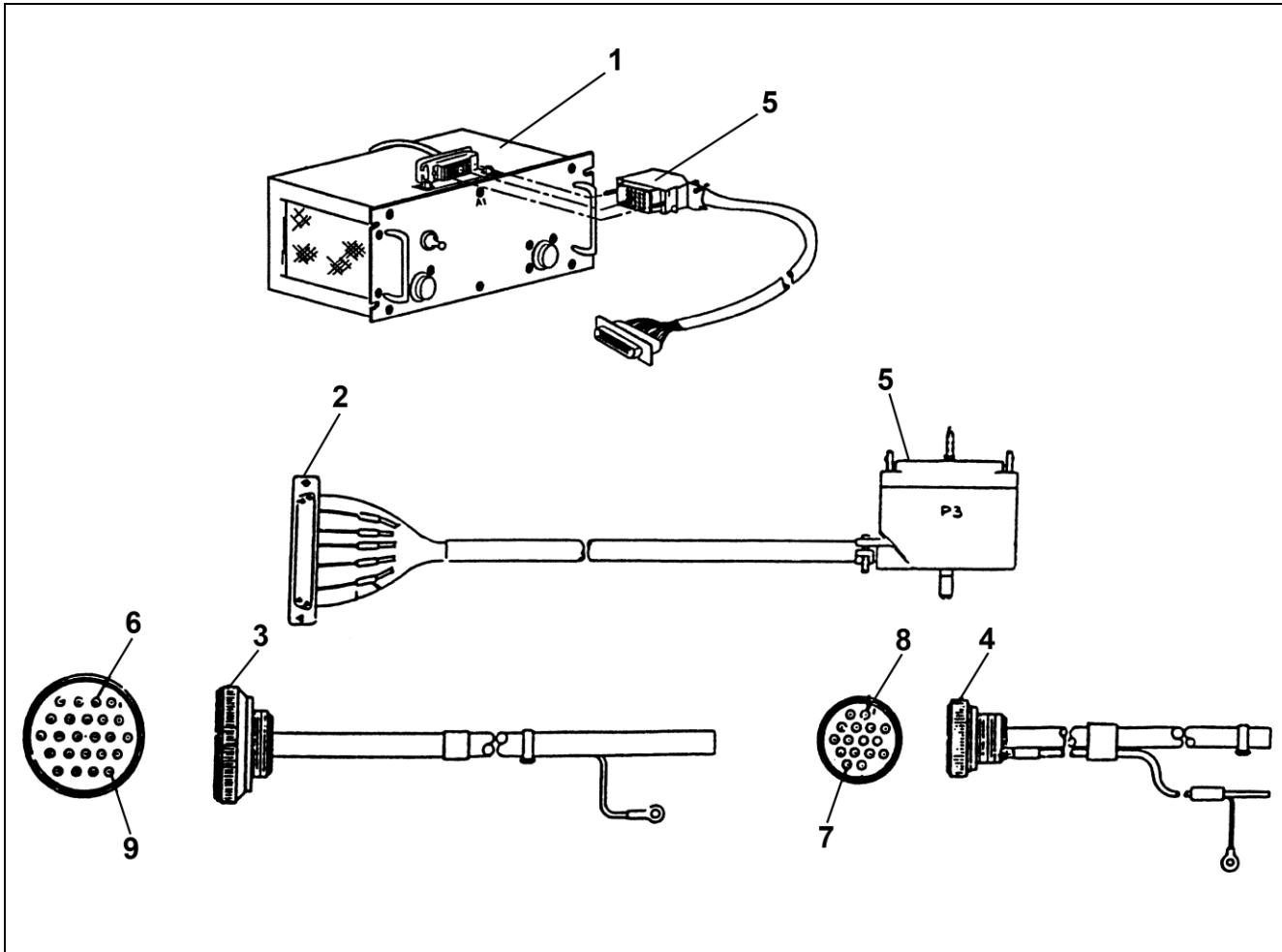
Panel Assembly, CEN A15

C-3026



REF. No.	PART No.	QTY	DESCRIPTION
1	HT203129-1	1	Panel Assembly, CEN.
2	HTRCN441-120VAC	6	Relay Switch
3*	AMHP3-SF	3	Relay Socket
4	AMHP33-110DC	2	Relay Switch
5*	HT593660-7	2	Diode
6	HT203149-1	1	Parts Kit, Rear Door, ETO
7	HTRCN441	2	Relay Switch

* General location, part not illustrated.



REF. No.	PART No.	QTY	DESCRIPTION	CONTACT LOCATION
1	HT201781-1	1	Power Supply	---
2	HT205209-1	1	Connector	---
3	HT206837-1	1	Connector Plug	---
4	HT206037	1	Plug	---
5*	HT60-8017-03-13	37	Contacts	a, b, c, d, e, f, g, h, j, k, l, m, n, CC, p, r, s, t, u, v, w, x, N, M, R, S, T, AA, U, V, W, X, Y, Z, p, y, BB
6*	HT66100-6	11	Contacts	1, 4, 5, 7, 12, 15, 16, 21, 24, 6, 11
7*	HT66358-5	3	Contacts	10, 13, 14
8*	HT66104-6	9	Contacts	3, 4, 6, 7, 8, 11, 12, 15, 16
9*	HT66358-5	1	Contacts	22

* General location, part not illustrated.