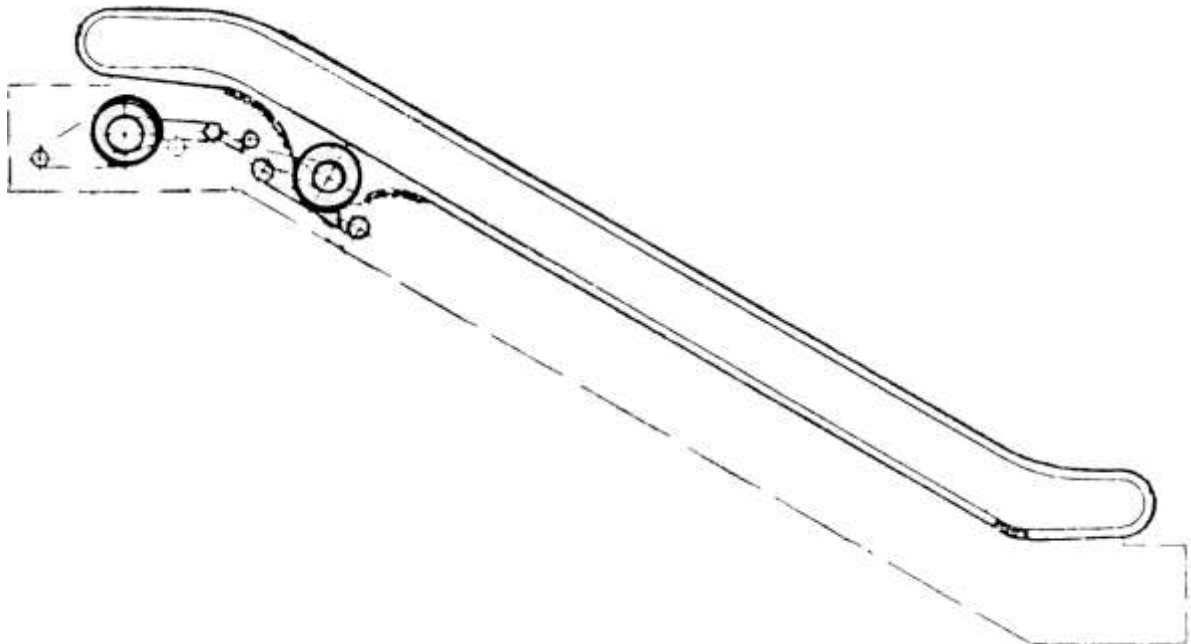


**“J”-Aire Escal-Aire
(Glass Balustrade)
Handrail Drive and Guide
Mechanisms**

Spare Parts Leaflet

C-1104

September 30, 2015 / Page 1 of 13



OTIS

**SERVICE ENGINEERING
Otis Elevator Company
Bloomfield, Connecticut USA**

Unpublished Work—©Otis Elevator Co.; 2015

Leaflet Description

This SPL provides spare parts for handrail system of “J” Escal-Aires.

Leaflet Revisions

Date Revised	Subject Matter Expert	Reason for Revision
December 1, 1975	- - -	New SPL
August 7, 2013	Tom Charney	Updated SPL template and updated information
September 30, 2015	Tom Charney	Corrected illustration on p. 12

Related Drawings

Drawing No.	Title	Drawing No.	Title

Related Documents

Document ID	Title
C-1099	<i>System Level SPL: ‘J’ and ‘J-ET’ Escalator and Escal-Aire®</i>
C-1101	<i>Main Drive Shaft, Wedge Brake & Countershaft for Type 32-J, 44-J, 48-J Escalators & Escalaires</i>

Subject Matter Expert

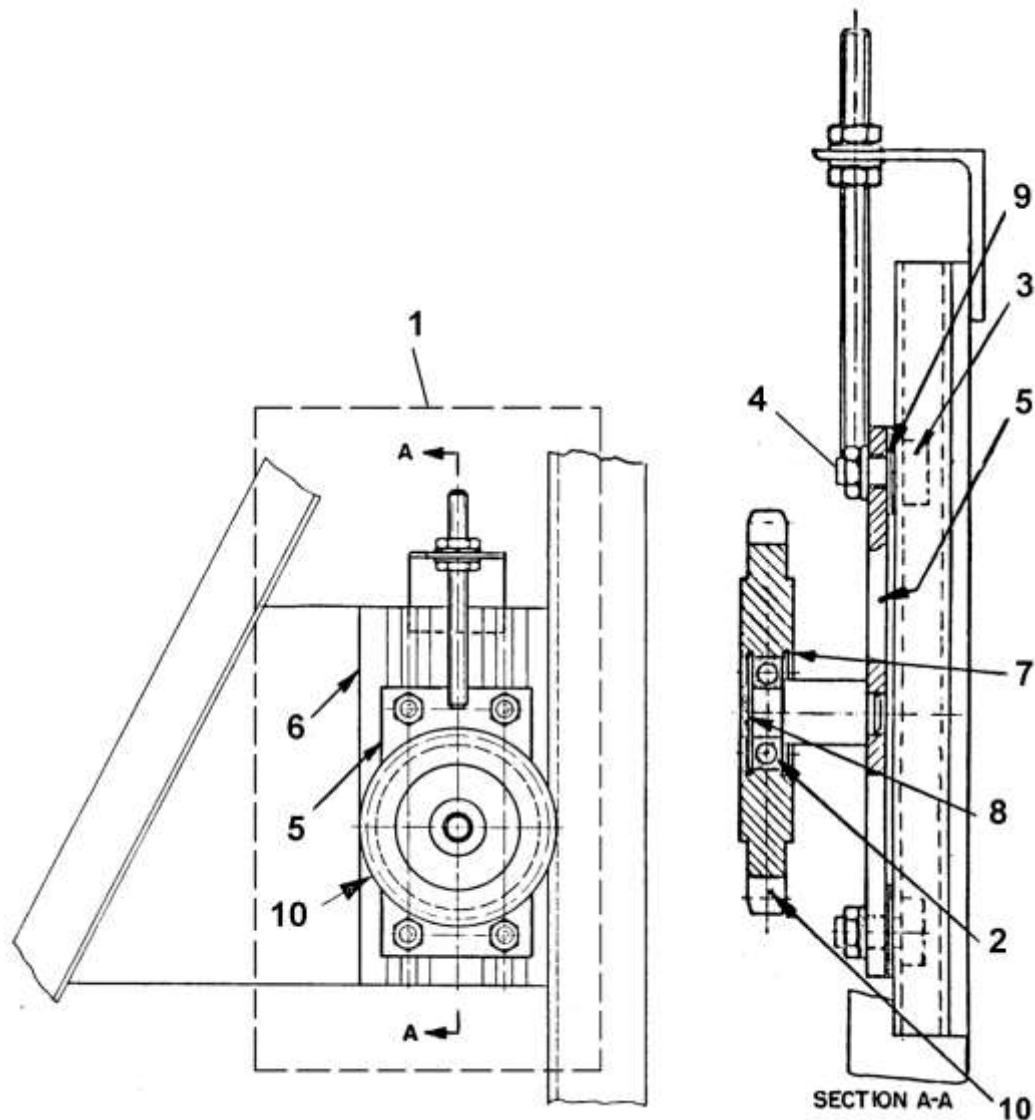
Name	Department
Tom Charney	OSC Service Engineering

About Spare Parts Leaflets...

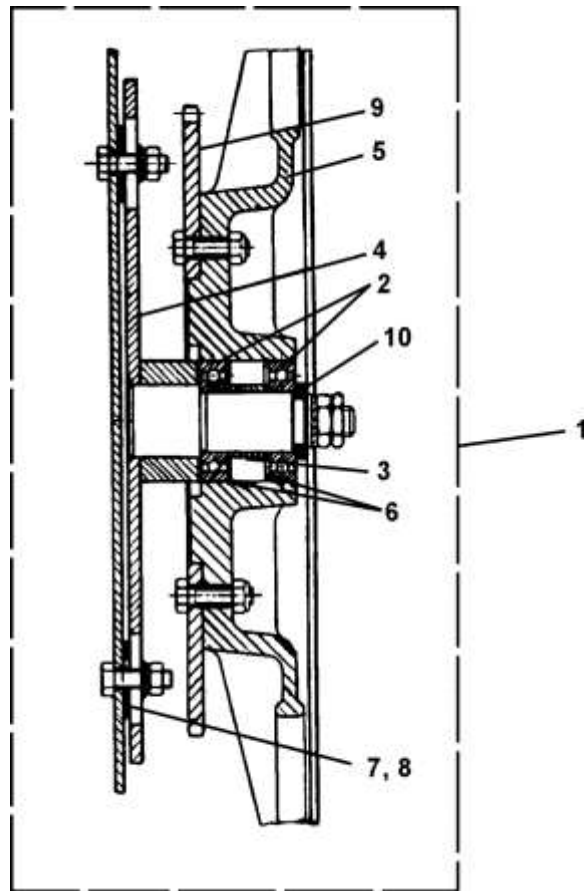
This document lists the lowest replaceable units (LRUs) for the standard version of the product. The LRUs are chosen by a team of Otis associates representing engineering and manufacturing.

While goal of this document is to make parts identification as easy as possible, the document cannot be all-inclusive. Elevator and escalator contracts classified as “special” or “custom” are not addressed here. For such contracts, please refer to specified information, the contract folder, TIPs, Field Education Articles, Construction Letters, etc. for further information.

If you have any suggestions about this document, please contact the subject matter expert listed on this page.

C-1104**“J”-Aire Escal-Aire (Glass Balustrade)
Countershaft Chain Tensioner****W/O VINTAGE
(9701CY)**

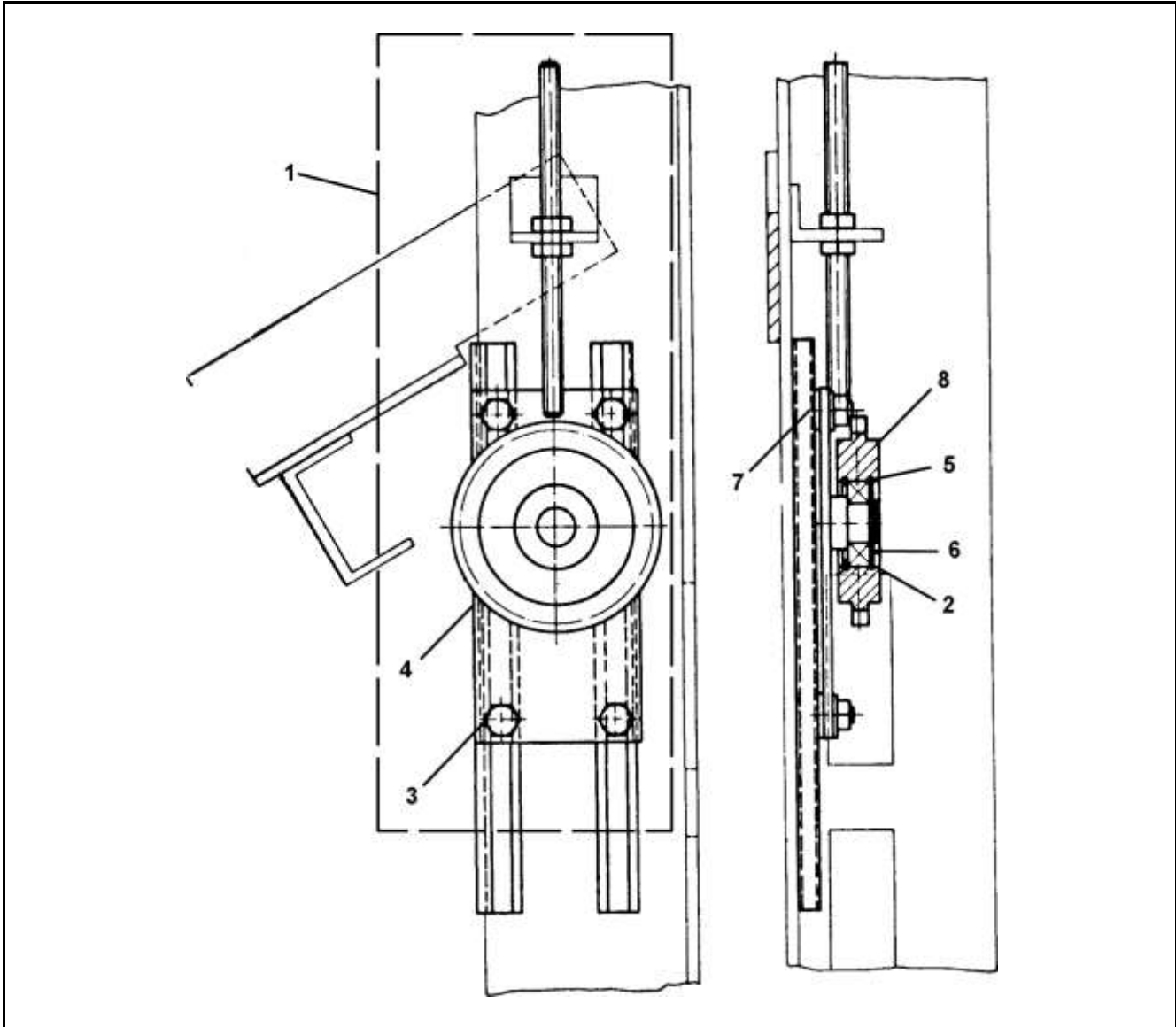
REF. NO.	PART NO.	QUANTITY	DESCRIPTION
1	4601A44 4601A85	1	Assembly, Complete Right Hand Only
2	207Z67	1	Bearing Ball
3	GO56AK1	4	Bolt T-Head, M8x30
4	52126	4	Nut, M8, w/ Captive Washer
5	YXGO386AKV1	1	Plate, Base Assembly, w/ Shaft
6	YXGO386AVV1	1	Plate, Assembly, w/ T-Bolt Channels
7	172PM2	2	Ring Retaining, Internal, for Sprocket Bore
8	172PN2	1	Ring Retaining, External, for Shaft
9	GO255EG7	10	Shim, 1 mm Thick
10	YXGOA195BG1	1	Sprocket, 19 Teeth

C-1104**“J”-Aire Escal-Aire (Glass Balustrade)
Handrail Drive****W/O VINTAGE
(YYGOA68140A)**

REF. NO.	PART NO.	QUANTITY	DESCRIPTION
1	4601A46	1	Assembly, Complete, L. H.
	4601A47	1	Assembly, Complete, R. H.
	4605A5 4605A25	2	Assembly, Sheave and Sprocket only (includes handrail drive sheave and sprocket)
2	207Z19 207Z68	2	Bearing Ball
3	GO462AF1	1	Bushing Distance
4	GO386VB1 YYGOA386VB1	1	Plate Support Assembly L.H.
	GO386VB2 YYGOA386VB2	1	Plate Support Assembly R.H.
5	GOA265A2 GOA265A4	1	Sheave, Handrail Drive
6	172PM3	2	Ring Retaining
7	GO255BP29	12	Shim
8	GO255BP30	12	Shim
9	YYGO195BL1 YXGO195BL1	1	Sprocket
10	GO127BE1	1	Washer, Thrust

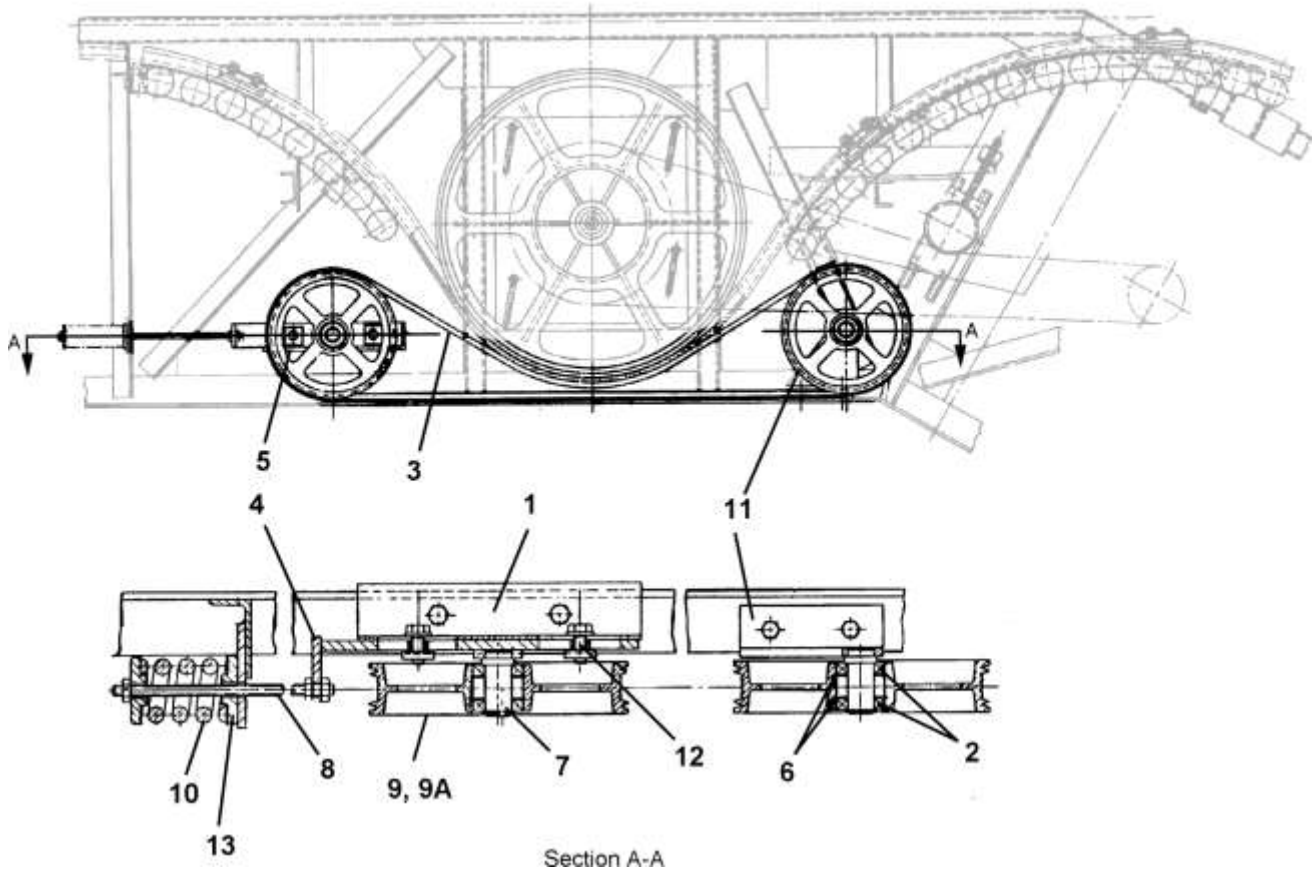
**“J”-Aire Escal-Aire (Glass Balustrade)
Handrail Drive Chain Tensioner**

C-1104



**W/O VINTAGE
(YYGO6814TJ)**

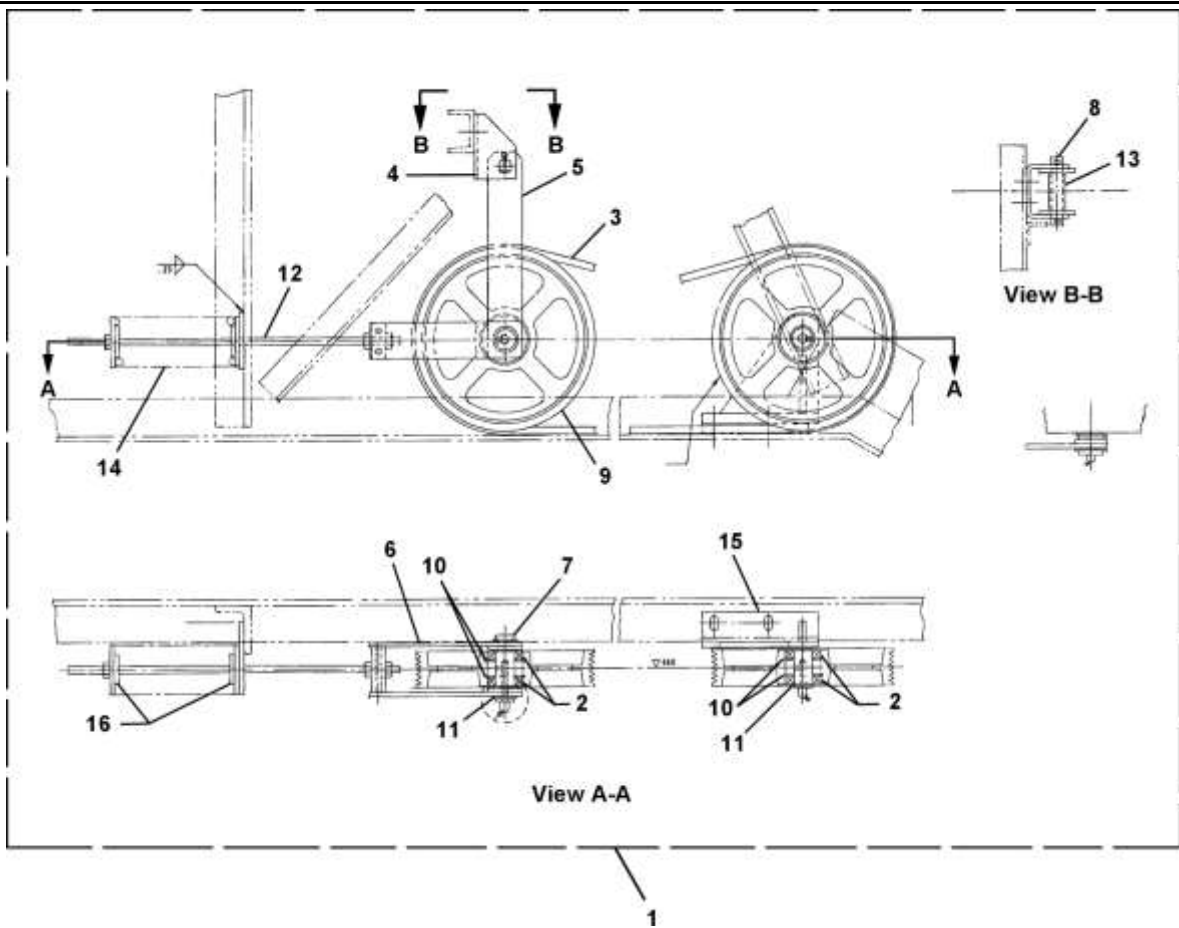
REF. NO.	PART NO.	QUANTITY	DESCRIPTION
1	4601A45 4601A107	2	Assembly, Complete
2	207Z67	1	Bearing Ball
3	GO56AK1	4	Bolt T - Head
4	GO386AKW1	1	Plate, Assembly
5	172PM2	2	Ring Retaining
6	172PN2	1	Ring Retaining
7	GO255EG7	4	Shim
8	YXGOA195BF4 YXGOA195BF1	1	Sprocket 20 Teeth

C-1104**“J”-Aire Escal-Aire (Glass Balustrade)
Handrail Drive Pressure Belt****W/O VINTAGE
(YX9701CX)**

REF. NO.	PART NO.	QUANTITY	DESCRIPTION
1	YYGO272ASL1	2	Angle
2	207Z66 207Z102	4	Bearing, Ball
3	V717AAA1	2	Belt, Poly V
4	GO299YN1	1	Fastening Assembly W/Axle
5	GO386ASL1	2	Plate
6	172PM1	4	Ring Retaining, Internal, Pulley Bore
7	172PN1	4	Ring Retaining, External, Shaft
8	GO338AL1	1	Rod Adjusting
9	GOB260J1	2	Sheave, V-Belt Pulley
9A	4601A48	4	Sheave Assembly, Includes References 2, 6, 7, 9
10	90HD13	1	Spring, Compression
11	GOA472F1	1	Stand, As Shown
	GOA472F2	1	Stand, Opp.
12	GO377FJ1	2	Tube Bushing
13	GO127CG1	2	Washer, Spring Seat

**“J”-Aire Escal-Aire (Glass Balustrade)
Handrail Drive Pressure Belt**

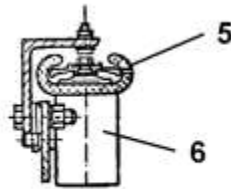
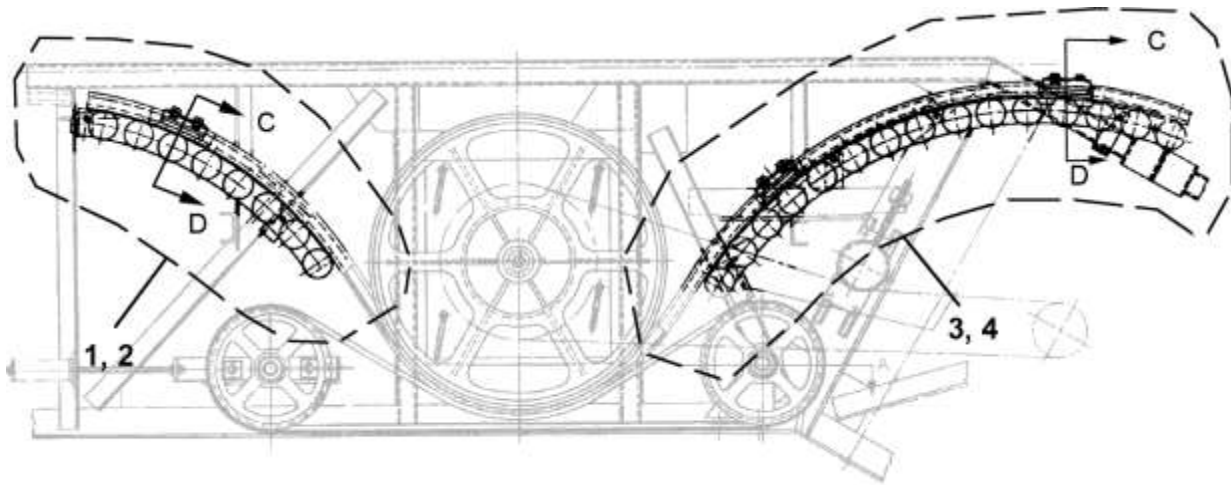
C-1104



W/O VINTAGE (YX9701CX)			
REF. NO.	PART NO.	QUANTITY	DESCRIPTION
1	A7115GC1	1	Assembly, Tension Device for Polly-V Belt, Left
	A7115GC2	1	Assembly, Tension Device for Polly-V Belt, Right
2	207Z66	4	Bearing, Ball
	207Z102		
3	V717AAA1	2	Belt, Polly-V
4	347NH1	1	Bracket
5	299AEY5	2	Link, Pivot
6	299ADT2	2	Link, Tensioner
7	77YV1	1	Pin, Axle
8	YXGO96AX3	1	Pin, Pivot
9	YYGOB260J1	2	Pulley
10	172PM1	4	Ring Retaining, Internal, Pulley Bore
11	172PN1	4	Ring Retaining, External, Shaft
12	GO338AL1	1	Rod, Adjusting
13	377CH22	1	Spacer
14	90HD13	1	Spring, Compression
15	AYXGOA472F1	1	Stand, Left Hand (shown)
	AYXGOA472F2	1	Stand, Right Hand (opposite)
16	YYGO127CG1	2	Washer, Spring Seat

C-1104

**“J”-Aire Escal-Aire (Glass Balustrade)
Handrail Drive and Guide Mechanisms**

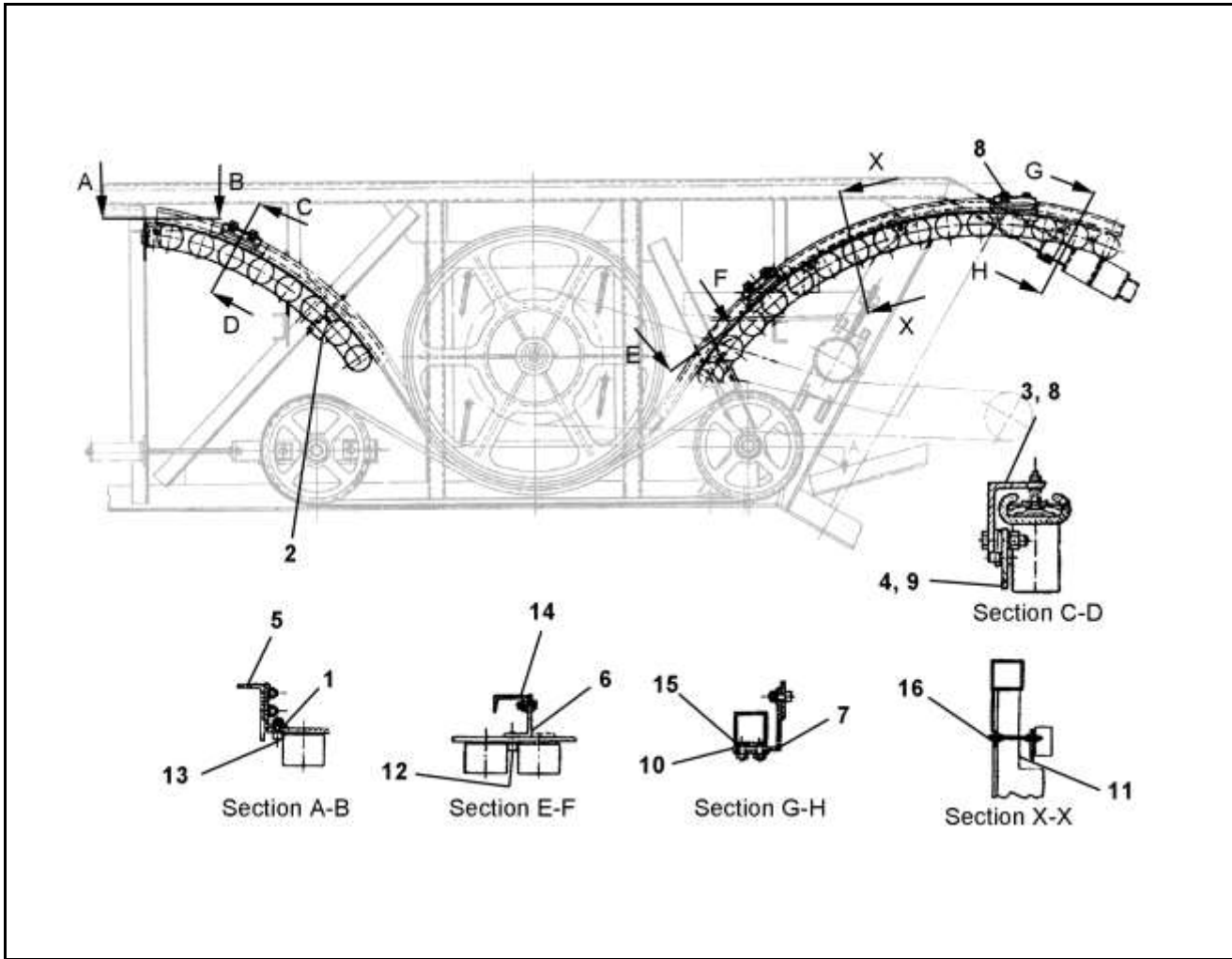


Section C-D

W/O VINTAGE (GOC6814DP)			
REF. NO.	PART NO.	QTY	DESCRIPTION
1	4606B5	1	Assembly, Roller Bow, Lower (as shown)
2	4606B6	1	Assembly, Roller Bow, Lower (opposite)
3	4606B4	1	Assembly, Roller Bow, Upper (as shown)
4	4606B9	1	Assembly, Roller Bow, Upper (opposite)
5	GO402AAA1	1	Guide Shape 50nv
6	456AT10 GO2215AB7	8	Roller Tension Hdr.

C-1104

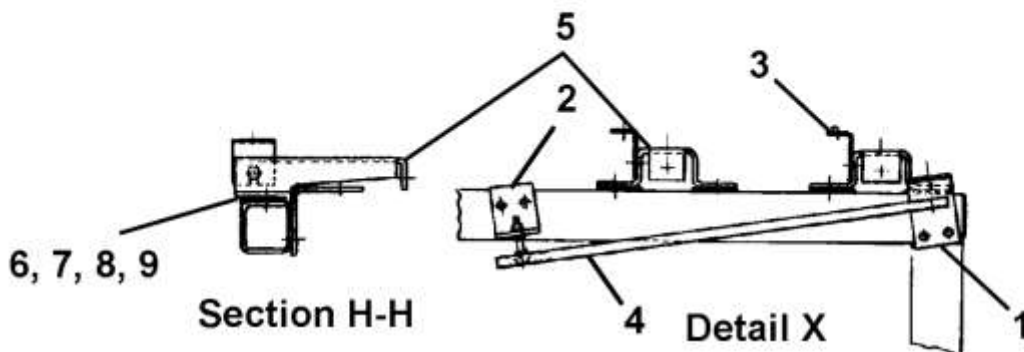
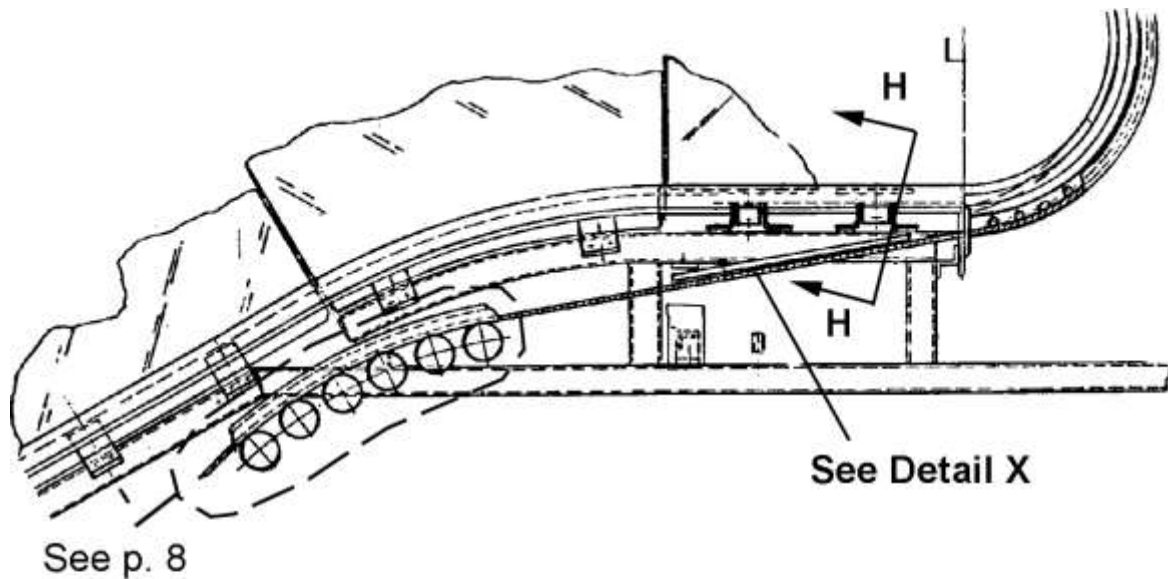
**“J”-Aire Escal-Aire (Glass Balustrade)
Roller Bow Support Brackets and Hardware**



REF. NO.	PART NO.	QUANTITY	Description
1	YYGO272ATS1	1	Angle, Left Hand
	YYGO272ATS2	1	Angle, Right Hand
2	YYGO272AVD1	1	Angle, Left Hand
	YYGO272AVD2	1	Angle, Right Hand
3	GO272AVY1	1	Angle
4	GOA272ASG1	1	Backing Plate, (Lower Bow)
5	127L5	4	Washer
6	YYGO272ATN1	1	Angle, Left Hand
	YYGO272ATN2	1	Angle, Right Hand
7	YYGO272ASM1	2	Angle
8	GO272AVY1	2	Angle
9	GOA272ASK1	1	Backing Plate (Upper Bow)
10	GO386ADC1	2	Plate
11	96CL1	4	Rod Threaded
12	DIN912 M10X20	2	Screw Cap Sock. Hex
13	DIN912 M10X30	2	Screw Cap Sock, Hex
14	GO255BP43	20	Shim
15	GO255BP37	2	Shim
16	127Z5	8	Washer

**“J”-Aire Escal-Aire (Glass Balustrade)
Handrail Drive and Guide Mechanisms**

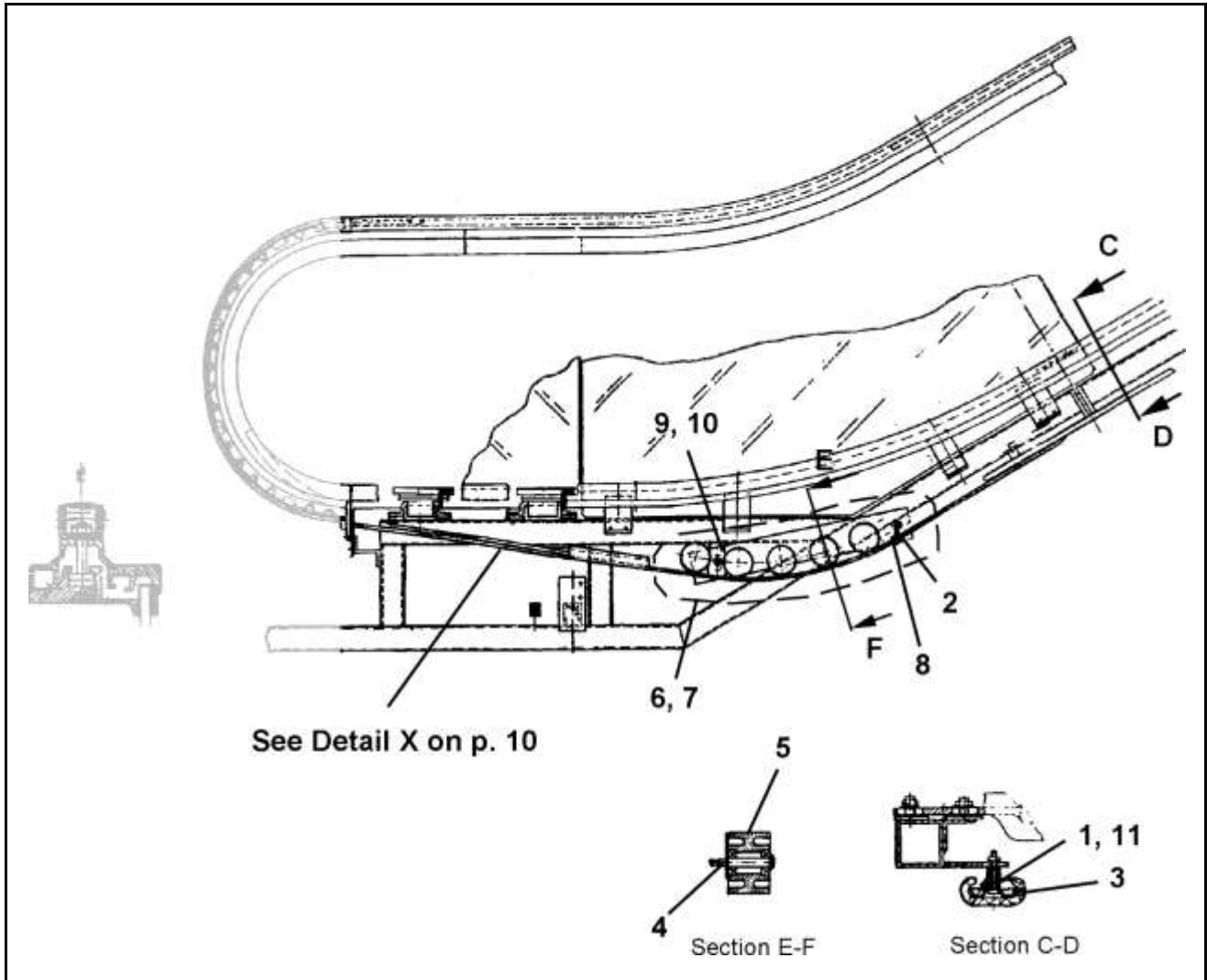
C-1104



REF. NO.	PART NO.	QUANTITY	Description
1	283SM1	-	Angle Formed
2	283SM2	-	Angle Formed
3	283SL1	-	Angle Formed
4	YXGO402AGV1	4	Guide Hdr. 50ADM
5	YXGO336AV500	8	Holder Newel
6	255AB1	24	Shim, 0.015 in. Thick
7	255AB2	8	Shim, 0.030 in. Thick
8	255AB3	8	Shim, 0.060 in. Thick
9	255AB4	8	Shim, 0.120 in. Thick

C-1104

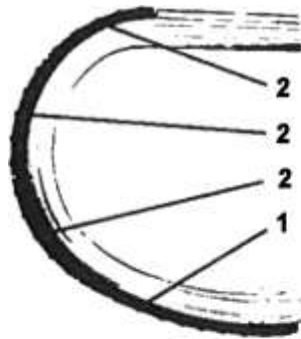
**“J”-Aire Escal-Aire (Glass Balustrade)
Handrail Guide, Lower Bow**



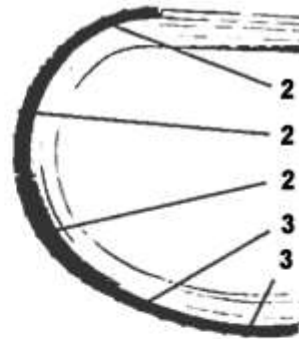
REF. NO.	PART NO.	QUANTITY	Description
1	GO56AA5	-	Bolt, T-Head, M6 x 45
2	GO299AAA1	1	Fastening Plate (as shown)
	GO299AAA2	1	Fastening Plate (opposite)
3	GO402HX5	-	Guide, Incline Handrail
4	GO77EW1	1	Pin
5	GO2215AB10	1	Roller
6	9701CE1	1	Roller Guide, w/ Rollers (as shown)
	9701CE2	1	Roller Guide, w/ Rollers (opposite)
7	9701AL1	1	Roller Guide, Complete w/ Brackets (shown)
	9701AL2	1	Roller Guide, Complete w/ Brackets (opposite)
8	DIN7984M12X30		Screw Sock Cap Hex.
9	GO255BP15	4	Shim, 1 mm Thick
10	GO255BP16	2	Shim, 0.5 mm Thick
11	GO462AM2	-	Spacer

**“J”-Aire Escal-Aire (Glass Balustrade)
Handrail Guide Newel Rollers**

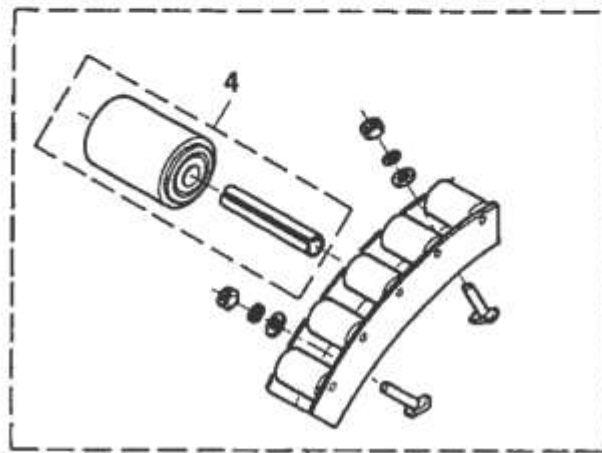
C-1104





Up to 1978



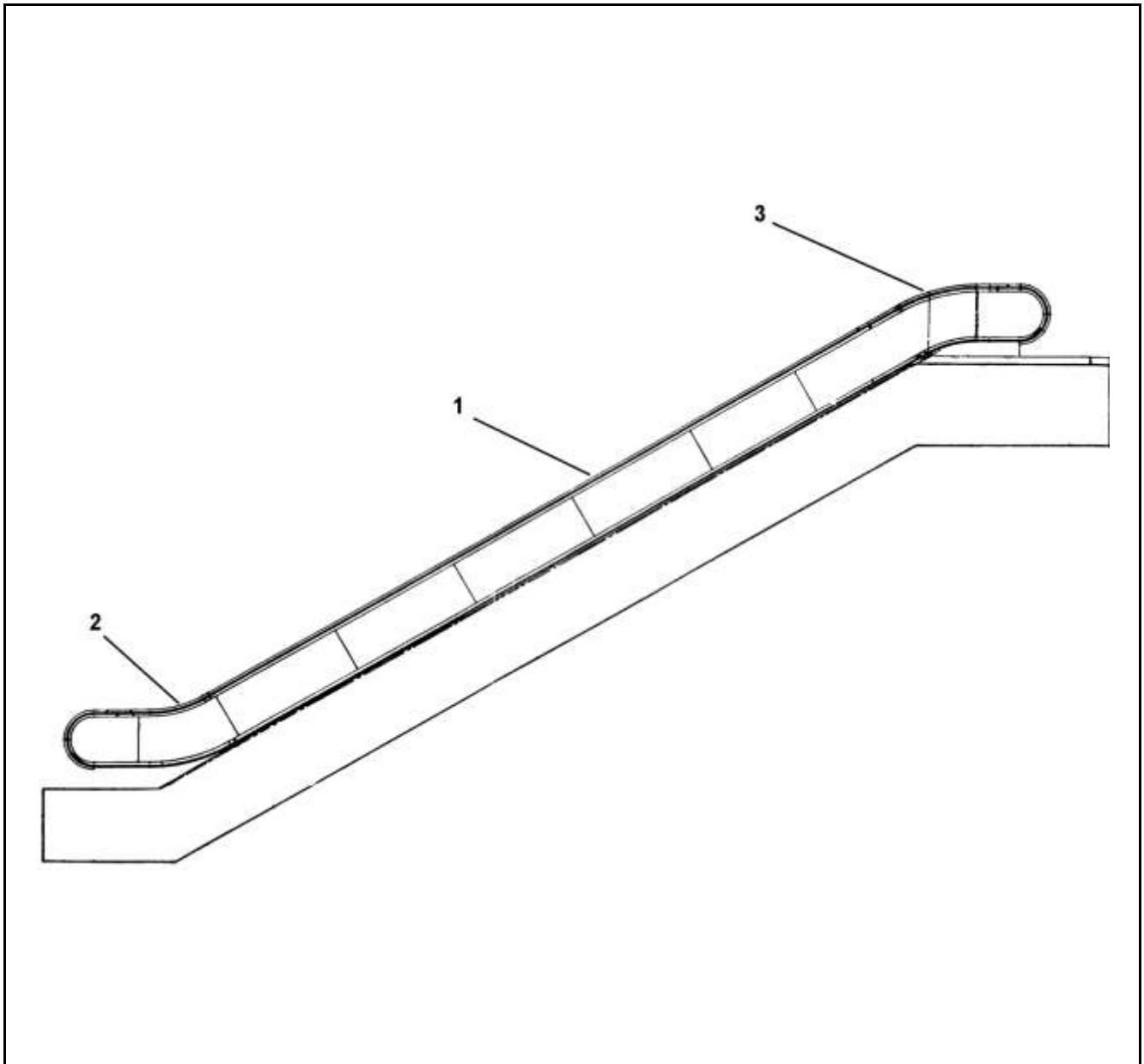
1978 and beyond



1, 2, 3

REF. NO.	VINTAGE G.01	Description
1	165E1	Assembly, Roller
2	GO2215P2	Assembly, Roller and 
3	GO2215P3	Assembly, Roller and 
4	GO2215P4	Roller & Adapter Sleeve

Passenger Handrail Guides



W/O VINTAGE		
REF. No.	PART No.	DESCRIPTION
1	50ADM-120	Guide, Handrail, Incline, Length = 120 in. (See Note)
	50ADM-96	Guide, Handrail, Incline, Length = 96 in. (See Note)
2	385NE1	Guide, Handrail, Lower Curve, Length = 104 in. (See Note)
3	385ND1	Guide, Handrail, Upper Curve, Length = 88 in. (See Note)

NOTE: Cut to suit locally, as required.