

C-1097 - HPA-1500 Hydraulic Elevator

Replaces C-1097 dated January 31, 1973

July 1997

Page 1

Formerly Titled HPA-1500 Plunger Electric Elevator

Order Form No. HPA-1500-1, 2 & 3

For Type HP-1500 Plunger Electric Elevator, see Parts Leaflet C-1070.

For Type 7300AA Door Operator and 7300E Door Link, see Parts Leaflet C-1039.

For Type 6098 Mechanical Switches, see Parts Leaflets C-919.

For Type 6993D2 Safety Shoe (Installations Furnished Prior to 1971), see Parts Leaflet C-1081.

For Type 7035A Button Units, see Parts Leaflet C-1021.

For Hoistway Interlock and Emergency Key Device, see Parts Leaflet 27-C6940AP.

For Type 7014A Switch, see Parts Leaflet C-1024.

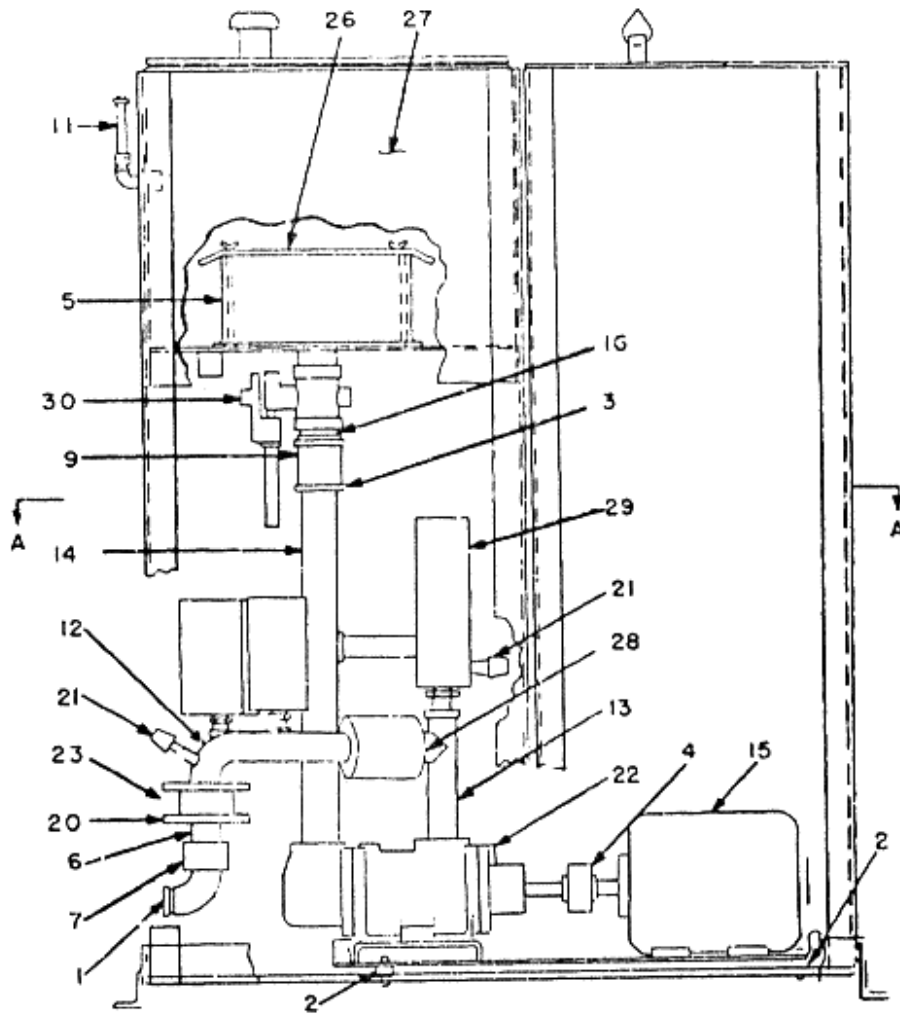
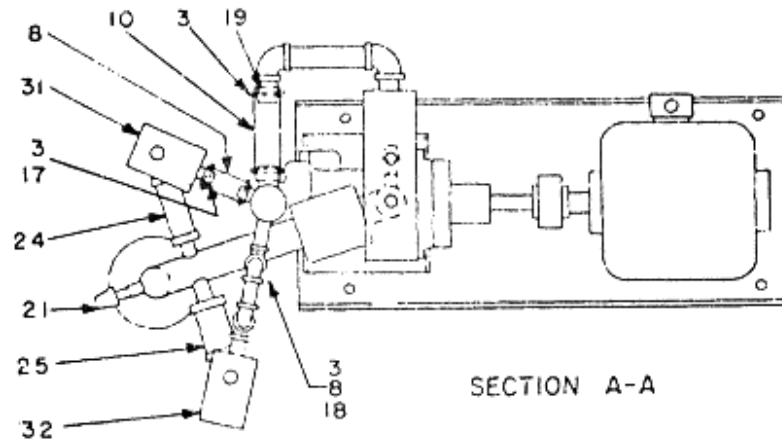
For Type 6410E Key Operated Switch, see Parts Leaflet 31-6410A.

For A7069A Button, see Parts Leaflet 31-A7069A.

For Door Closer, see Parts Leaflet 26-6940D, AD, AN.

C-1097 - HPA-1500 Hydraulic Elevator

Page 2



C-1097 - HPA-1500 Hydraulic Elevator

Page 3

Parts for 5B Hydraulic Machine HPA 1500 - FIG. 1
(with Spl. 5B Pumping Unit)

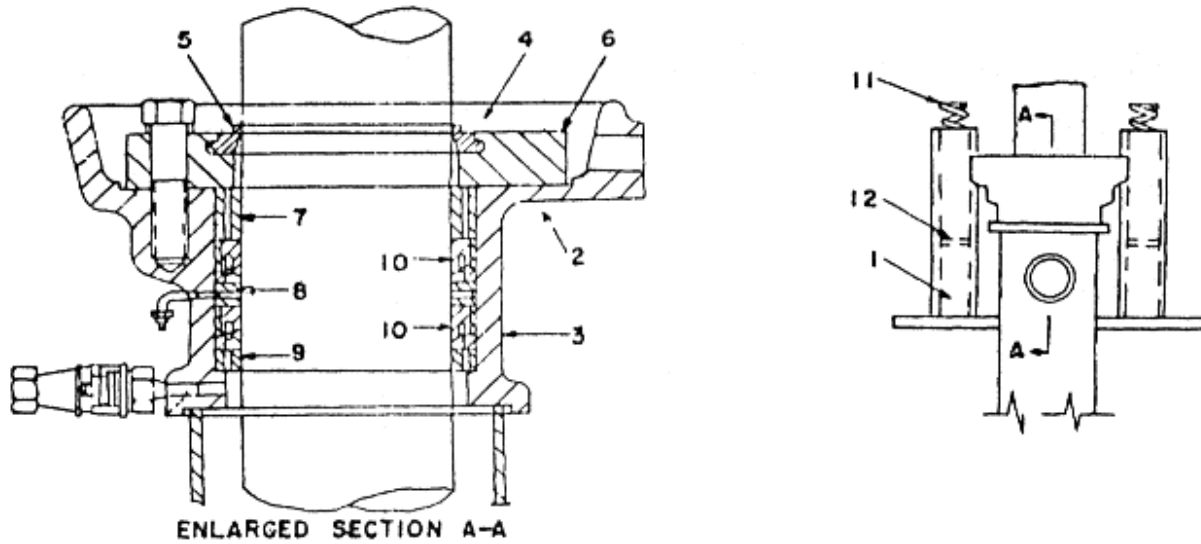
Form HPA 1500-1

ML 4031B4 - Furnished up to March 1971 & ML 4031B10 - Furnished after March 1971

REF. No	PART OR ML	DESCRIPTION
1	441AT2 Used only on machines furnished prior to March 1971.	Adapter, 90° Victaulic
	441BC3	Adapter, 90° Victaulic
2	310JH1	Block, Sound Isolation
3	336DY1	Clamp, Hose
4	215AR3	Coupling
5	A254D1 Used only on machines furnished prior to March 1971.	Filter
	B254D1	Filter
6	377BX2	Fitting, Isoline
7	441AS2	Fitting, Victaulic
8	134A22	Hose
9	134A38	Hose
10	134A43	Hose
11	269AW1	Indicator, Oil
12	A377CB2	Manifold, Horizontal
13	377BT2	Manifold, Vertical
14	B377BV12	Manifold, Return
15	6333BN1	Motor, 10 HP (For 208-480 Volts)
	6333BN2	Motor, 10 HP (For 550-600 Volts)
16	441AH20	Nipple, Half, Pipe, st'l., 2" x 3" (for REF 9)
17	441AH29	Nipple, Half, Pipe, st'l., 1/2" x 1-1/2" (for REF 8) (Return Manifold to Down Level Valve)
18	441AH31 Arrow indicates location, the part itself not showing in illustration.	Nipple, Half, Pipe, st'l., 1/2" x 3-1/2" (for REF 8) (Return Manifold to Down Valve)
19	441AH34	Nipple, Half, Pipe, st'l., 1" x 2" (for REF 10)
20	386AYR2	Plate, Clamp
21	-	Plug, 1/4" Two Way Shut Off, Hansen 2-K-16
22	6962J2	Pump, DeLaval Type 156 IMO A3DB
23	182W2 Arrow indicates location, the part itself not showing in illustration.	Ring, Packing (For Horiz. Manifold)
24	A441AV1	Strainer, 1/2" Pipeline
25	A441AV2	Strainer, 3/4" Pipeline
26	298CA24 Used only on machines furnished prior to March 1971.	Strip, 1/8" x 18-1/2" x 3"
	285DK1	Strip, 11-1/2" OD x .0747" thk.
27	A148T1 Used only on machines furnished prior to March 1971.	Tank
	B148T1	Tank
28	271W2	Valve, Check EECO 3000 (1-1/2)
29	A271AA11	Valve, Up EECO UV-3A (1/2)
30	271AB2	Valve, Tank Shut-Off
31	271BA1	Valve, Down Leveling EECO DL-3 (1/4)
32	271BA3 Note: For replacement, refer to TIP 6.3.0-12	Valve, Down EECO DL-3 (1/2)

C-1097 - HPA-1500 Hydraulic Elevator

Page 4



Cylinder Head, Packing and Buffer Data - Fig. 2
 5" Cylinder with 4" Plunger
 Form HPA 1500-3 & M.L. 2223C25, 4031F15,16,17, 22, 23, 24

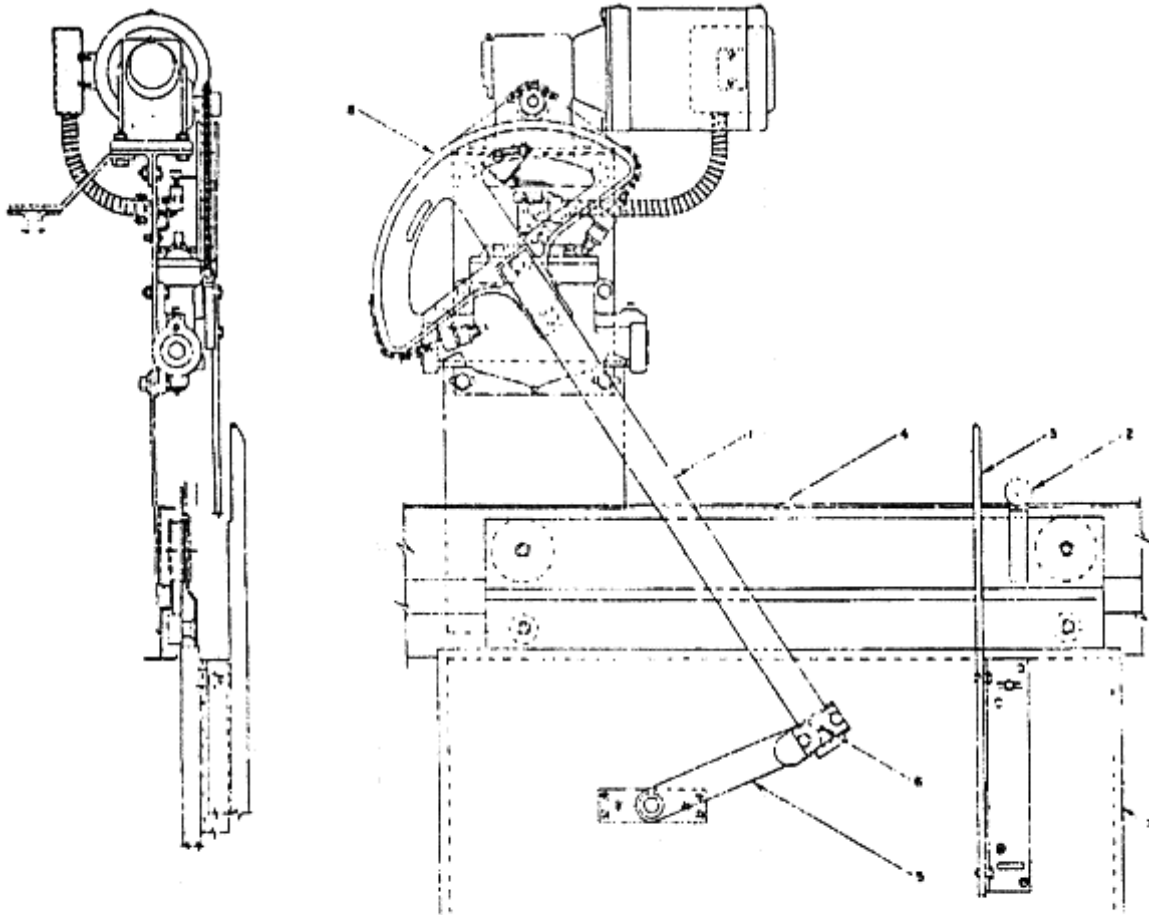
REF. No.	PART OR M.L.	DESCRIPTION
1	310C12	Block, Wood
2	376NG1*▲	Gasket, 5-1/8" I.D., 8-1/2" O.D., .015" thk. Plastic
3	A390AM1	Ring, Wiper
4	172LK1	Ring, Wiper Clamp
5	172LG1	Ring, Wiper
5	B172LG1	Ring, Wiper
6	172LL1	Ring, Clamp
6	B172LL1	Ring, Clamp
7	A172KN1	Ring, Wiper
8	1-172KP1	Ring, Lantern
8	172NT1	Ring, Lantern
9	2-172KP1	Ring, Lantern
9	C172KP1	Ring, Lantern
10	4-182R1	Seal, Jackpack Packing
10	A182R1	Seal, Jackpack Packing
11	90ND5	Springs, Compression, 3-5/8" O.D. x 18-1/2" Lg.
12	127VD14	Washers, 1-1/4" I.D., 3-3/4" O.D. 1/4" thk. Steel

FOR CYLINDER HEAD PACKING
 REPLACEMENT PARTS,
 SEE SPARE PARTS LEAFLET
 03-6942Y

▲ Arrow indicates location, part itself not showing in illustration
 * These parts were used on packings & cylinder heads installed prior to July 1971.

C-1097 - HPA-1500 Hydraulic Elevator

Page 5



Type A7300AA Door Operator and Type 6993Y Safety Shoe - Fig. 3
Single Slide Doors with Integral Hangers
Form HPA 1500-1

REF. No.	PART OR ML	DESCRIPTION
1	288KL10	Arm, Operator, 36" long
2	C288KM2	Arm, Roller Door Contact for 6098E Switch
3	327C8	Cam, Stationary
4	-	Hanger, Integral Door (see Fig. 5)
5	7300E8 For details, see Parts Leaflet C-1039	Door Link Assembly
6	81AX1	Pin, Spring, 3/16" x 3/4" lg. (Link and Arm)
7	A6993Y1	Shoe, Safety (see Fig. 4)
	6993D1 Furnished prior to 1971, for details see Parts Leaflet C-1081	Shoe, Safety
8	A7300AA1	Drive Unit
	C7300A1	
-	6098E6 Not illustrated, see Parts Leaflet C-919	Switch

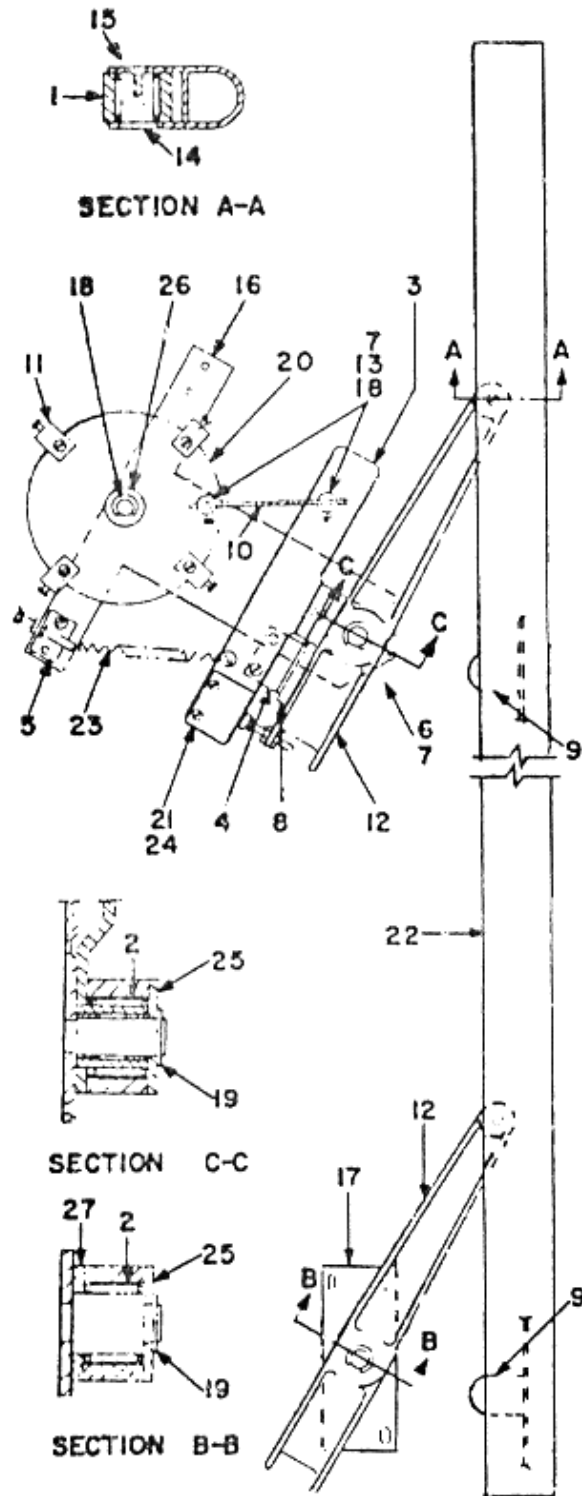


FIG. 4

C-1097 - HPA-1500 Hydraulic Elevator

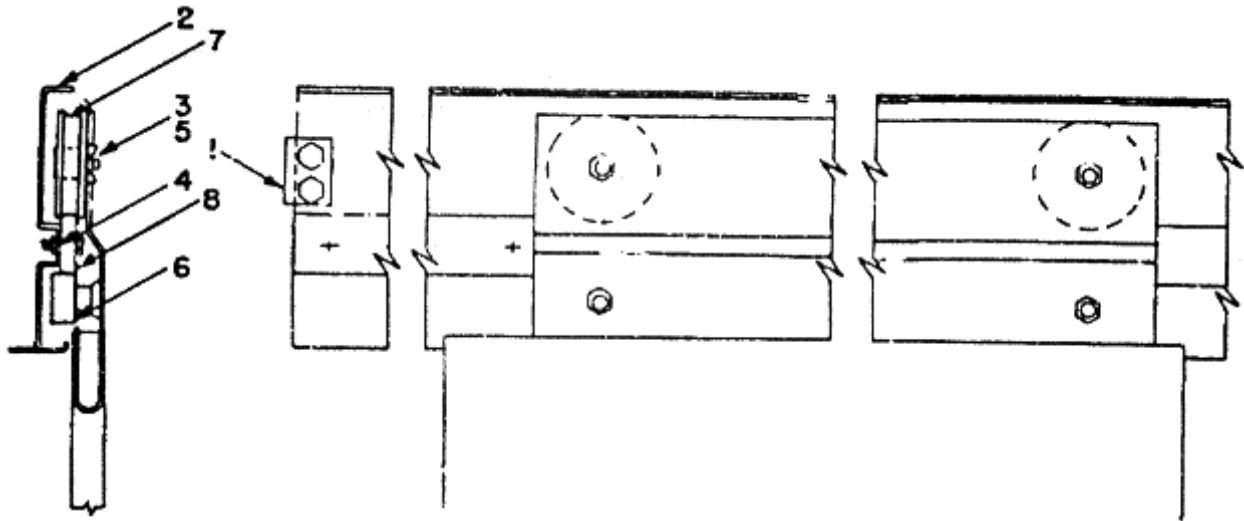
Page 7

Parts for A6993Y Safety Shoe, R.H. Arr. - Fig. 4
 HPA 1500-01, HPA 2000-1 and ML A6993Y1

REF. No.	PART OR ML	DESCRIPTION
1	209AF1	Bearing, Roller
2	209AF2	Bearing, Roller
3	A316CKE2	Bracket, Complete with Bushings
4	A316CKM2	Bracket
	B316CKM2	Bumper & Bracket (Orig. Bracket Only)
5	316CKF2	Bracket, Spring
6	335E39 <i>Arrow indicates location, part itself not showing in illustration.</i>	Bushings (for REF 3)
7	335E86 <i>Arrow indicates location, part itself not showing in illustration.</i>	Bushings (for REF 3)
8	320BD2	Bumper (for REF 4)
	B316CKM2	Bumper & Bracket (Orig. Bumper Only)
9	320CD1	Bumpers (for REF 22)
10	174AS26	Cable
11	283KX1	Clamps, Angle
12	A288NS1	Lever
13	79BT1	Pin, Pivot 1-7/16" Long
14	81CM2	Pin, Complete
15	81AX32 <i>Arrow indicates location, part itself not showing in illustration.</i>	Pin, Spring (for REF 14)
16	386BCA2	Plate, Pivot
17	386BBN6	Plate, Pivot
18	172DR2	Ring, Retaining (for REF 13)
19	172DR8	Ring, Retaining (for REF 12)
20	265BN2	Sheave
21	278CA1	Shield
22	A470AS2	Shoe
23	91B20	Spring, Extension 11/32" OD x 5-1/8" lg. Overall
24	7035A23 For details see Parts Leaflet C-1021	Switch, (Single Breaking)
	7035A101 For details see Parts Leaflet C-1021	
25	127AS1	Washer, 21/32" ID x 1-7/8" OD
26	127VB31	Washer, 17/32" ID x 1-1/4" OD
27	128AG69	Washer, Brass, 1-1/32" ID x 1-7/8" O

C-1097 - HPA-1500 Hydraulic Elevator

Page 8



Parts for Integral Car Door Hangers - Fig. 5
M.L. 2213G7 and G8, Form HPA 1500-1

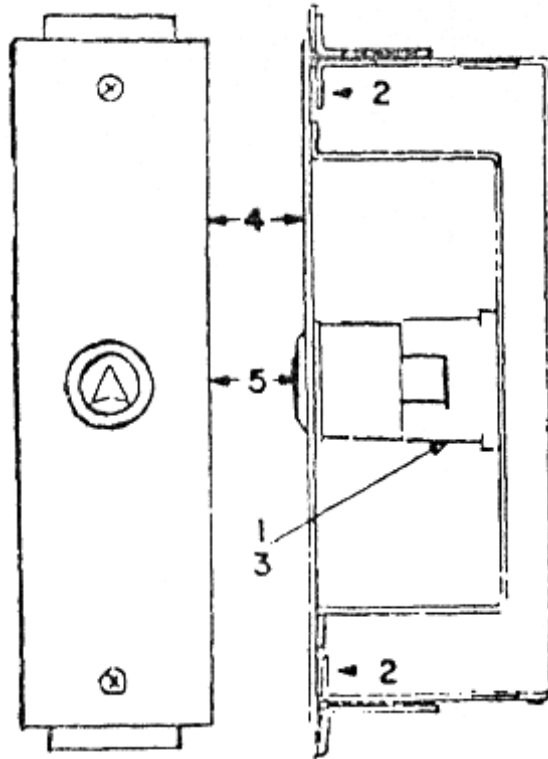
REF. No.	PART OR ML	DESCRIPTION
1	320AB2	Bumper
2	A409CA2 <i>Used with ML 2213G7 only.</i>	Header, Car Single Slide with Track
	B409CA2	Header, Car Single Slide with Track
3	77RK2	Pin, Eccentric
4	72DJ2	Nut, Grip (for track)
5	72AF2	Nut, St'l. 1/2-20 NF
6	456CP1	Roller, Eccentric
7	456CX4	Roller, Complete with Bearing 207Z34
	456EW2	
8	462BM4 <i>Arrow indicates location, part itself not showing in illustration.</i>	Spacer (for Bumper)
9	483MJ7	Track, 68" long

HOISTWAY INTERLOCK AND DOOR CLOSER

Note: For details of Hoistway Interlock and Emergency Key Device see Parts Leaflet 27-C6940AP. For details of Door Closer, See Parts Leaflet 26-6940D, AD, AN.

C-1097 - HPA-1500 Hydraulic Elevator

Page 9



Hall Button Fixture M.L. 4031H3 - Fig.7
Replacement Parts for Baseplate Assembly
M.L. 7069R4

REF. No.	PART OR ML	DESCRIPTION
1	339FG1	Clip
2	72DJ4 Arrow indicates location, part itself is not shown.	Nut
3	7035A27 For Details, see Parts Leaflet C-1021.	Push Button Unit, Single Making w/Pilot
	7035A111 For Details, see Parts Leaflet C-1021.	

Replacement Parts for Faceplate Assembly-Fig.7
ML 7069R3

REF. No.	PART OR ML	DESCRIPTION
4	147JF9 Furnish contract number when ordering.	Faceplate (finish per order)
	147JF9-3 Furnish contract number when ordering.	
5	A7069A1	Illuminated Button, Unmarked (see Fig. 8A)
-	Furnish contract number when ordering.	Screw, Phillips Oval Mach. 10-32x1/2" (finish per order)

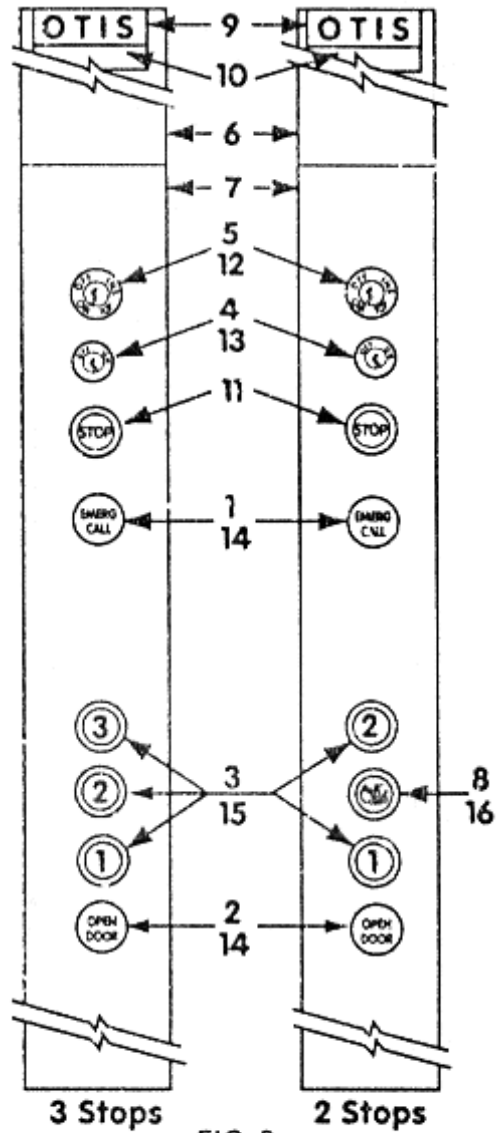


FIG. 8

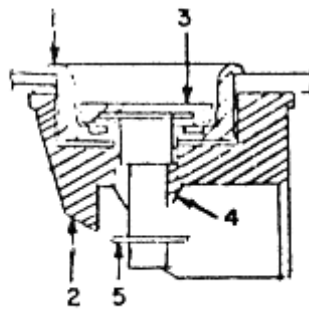


FIG. 8A