

C-1088 - Escal-Aire Handrail Mechanism for Type 32RB-C & 48RB-C

July 1, 1972

Page 1

ORDER FORMS 0-1512, 0-1513, 0-1516

(See C-1082 for Typical Arrangement Dwg. and Parts Leaflet. Index Of Unit Assemblies)

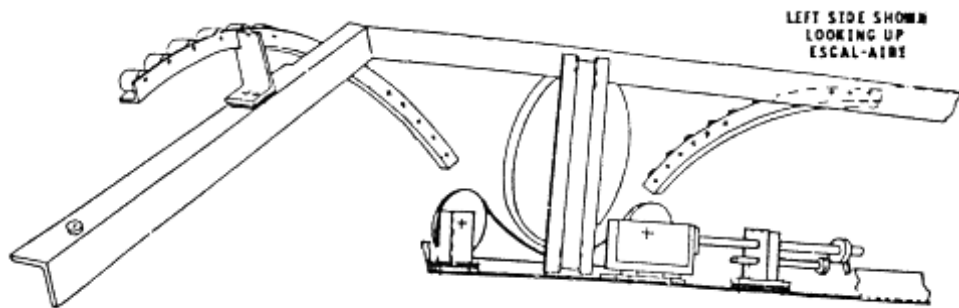


FIG. 1

C-1088 - Escal-Aire Handrail Mechanism for Type 32RB-C & 48RB-C

Page 2

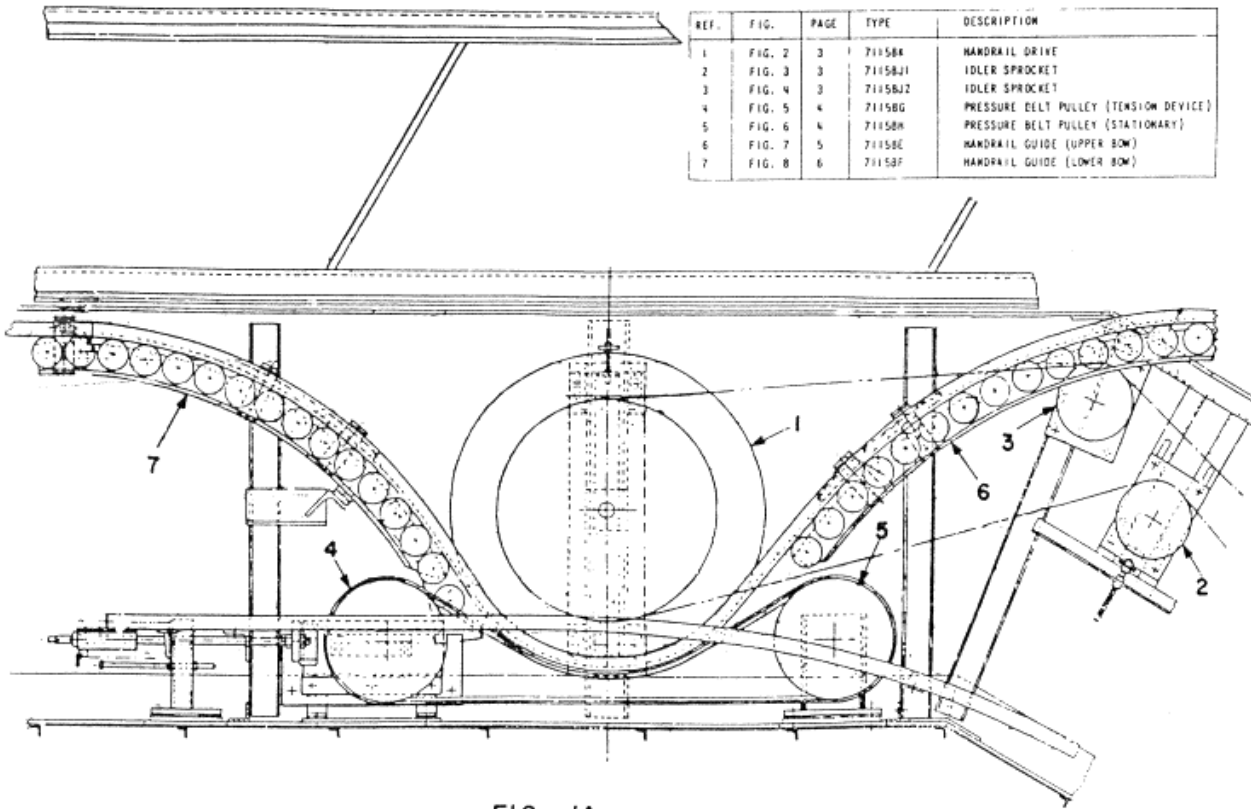


FIG. 1A

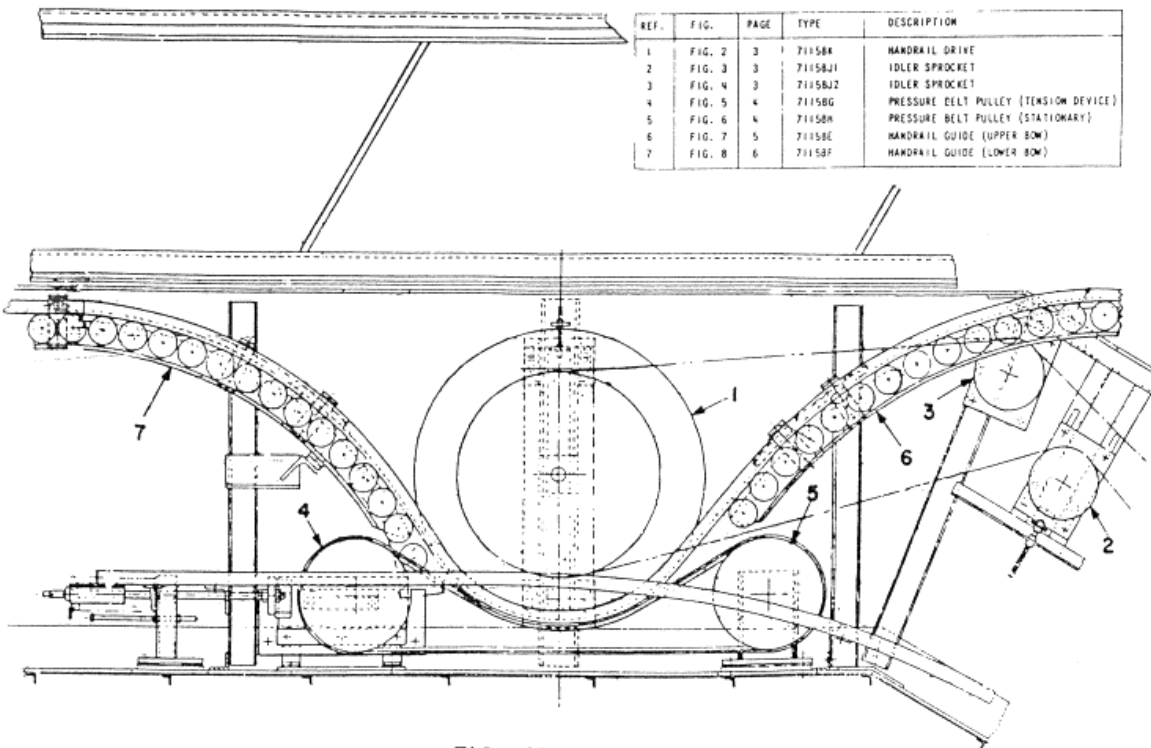
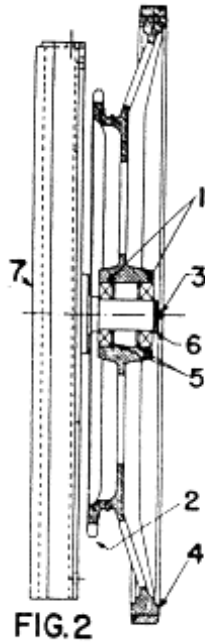


FIG. 1A

C-1088 - Escal-Aire Handrail Mechanism for Type 32RB-C & 48RB-C

Page 3 - ESCAL-AIRE HANDRAIL DRIVE FOR 32RB-C & 48RB-C FIG. 2

O-FORM: 0-1512, 0-1513, 0-1516B GEN. ARR. DWG. C-7115H
 ML 7115BK1 (2) PEQ. (1) LH & (1) RH



REF. NO.	PART NO.	QUAN-TITY	DESCRIPTION
1	207Z19	2	Bearing, Ball
2	332AW13	1	Chain, Handrail Drive <i>Part used with Handrail Drive, but not a part of the above Material List.</i>
			#80 1" Pitch 296" Long
3	435W1	1	Fitting, Lubricator
4	198AB2	1	Pulley, Handrail Drive With Pubber Tire 68T.
5	172CY5	2	Ring, Internal Retaining
6	172DE5	1	Ring, External Retaining
7	471CP1	1	Stand, Newel

C-1088 - Escal-Aire Handrail Mechanism for Type 32RB-C & 48RB-C

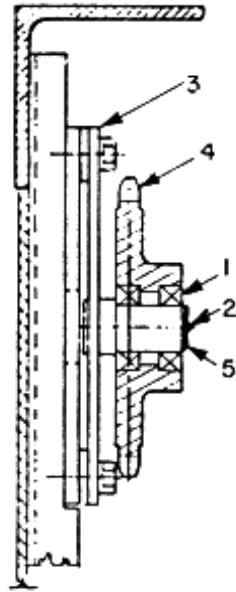


FIG. 3

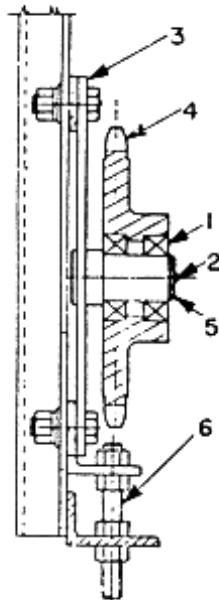


FIG. 4

C-1088 - Escal-Aire Handrail Mechanism for Type 32RB-C & 48RB-C

Page 4 - ESCAL-AIRE IDLER SPROCKET ASS'Y

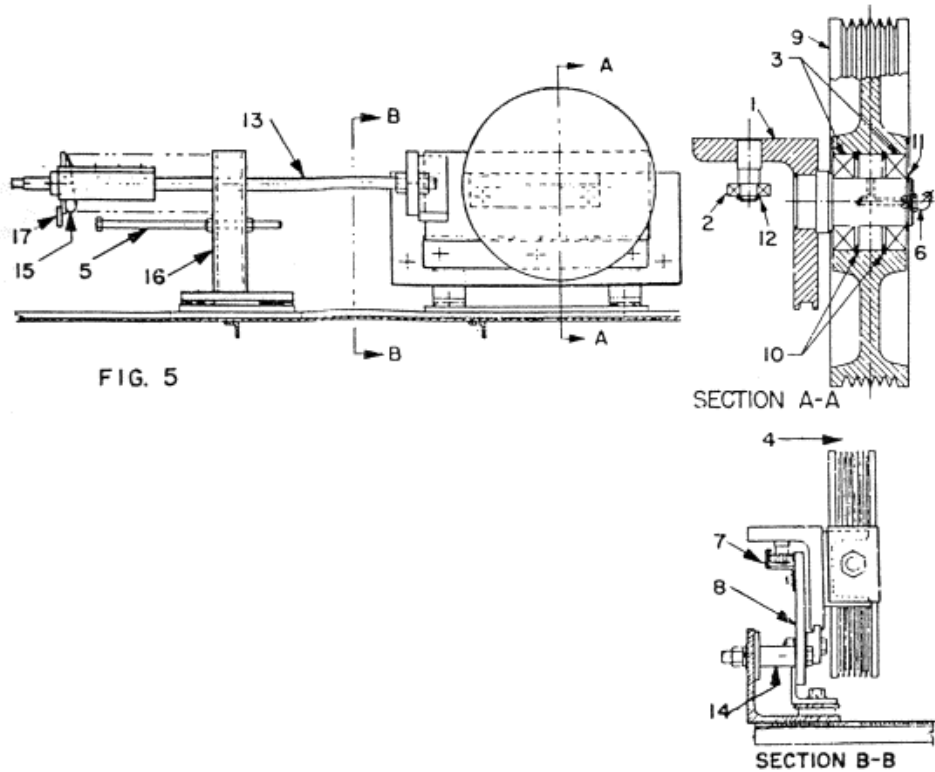
TYPE 32RE-C AND 48RB-C
(2 REQ.) ML 7115BJ2 FIG. 3

REF. NO.	PART NO.	QUAN-TITY	DESCRIPTION
1	207Z18	2	Bearing, Ball
2	435W1	1	Fitting, Lubricator
3	386AYM2	1	Plate, Base
4	195FW1	1	Sprocket, Idler, 24T. #80 Chain 1" Pitch
5	172DE4	1	Ring, External Retaining

(2 REQ.) ML 7115BJ1 FIG. 4

REF. NO.	PART NO.	QUAN-TITY	DESCRIPTION
1	207Z18	2	Bearing, Ball
2	435W1	1	Fitting, Lubricator
3	386AYM1	1	Plate, Base
4	195FW1	1	Sprocket, Idler, 24T. #80 Chain 1" Pitch
5	172DE4	1	Ring, External Retaining
6	96H93	1	<i>Part used with Handrail Drive, but not a part of the above Material List</i> Rod

Page 5 - ESCAL-AIRE PRESSURE BELT PULLEY (TENSION DEVICE) FIG. 5



ML 7115BG1 ARR. 1 LH AS SHOWN
 ML 7115BG2 ARR. 2 RH OPPOSITE
 ML 2205B20, 21, 23, 32, 33, 34, 41, 53
 ML 2202A17, 34

REF. NO.	PART NO.	QUAN-TITY	DESCRIPTION
1	272AYL1	1	Angle, (7115BG1)
1	272AYL2	1	Angle, (7115BG2)
2	207Z3	1	Bearing, Ball
3	207Z19	2	Bearing, Ball
4	V717AAA2	2	Belt, 1310ML, Poly-V
5	65DH1	2	Bolt
6	435B2	1	Fitting, Lubricator
7	384MF1	2	Guard
8	385KJ2	2	Guide
9	198AA1	1	Pulley V-Drive
10	172CY5	2	Ring, Internal Retaining
11	172DE5	1	Ring, External Retaining
12	172DE19	1	Ring, Retaining (207Z3)
13	96CDE1	2	Rod, Steel
14	377AB5	4	Spacer, Pipe
15	90HD13	2	Spring, Compression
16	471CY1	2	Stand
17	133BD1	2	Washer

Page 6 - ESCAL-AIRE PRESSURE BELT PULLEY ASS'Y STATIONARY FIG. 6

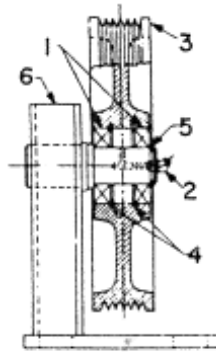
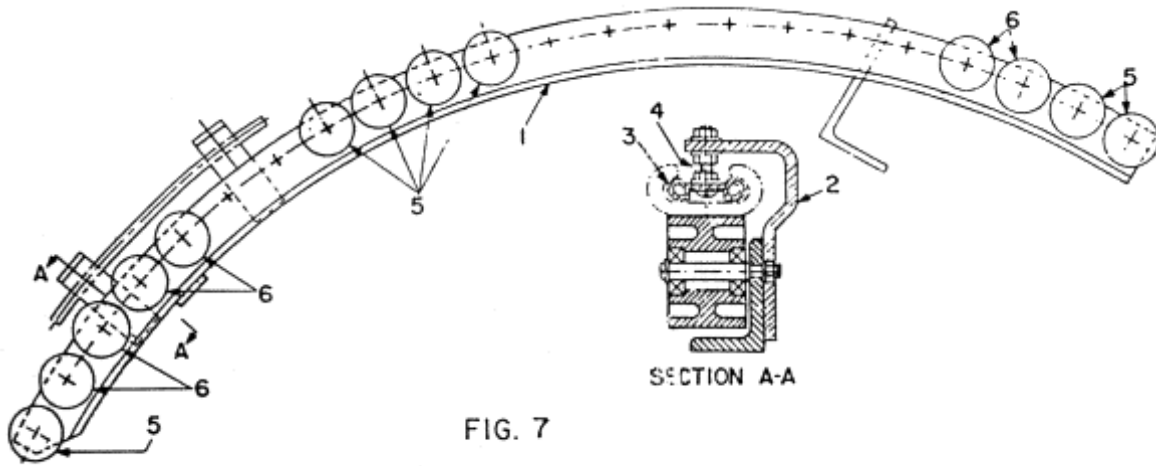


FIG. 6

(2 REQ.) ML 7115BH1 RH & LH

REF. NO.	PART NO.	QUAN-TITY	DESCRIPTION
1	207Z19	2	Bearing, Ball
2	435B2	1	Fitting Lubricator
3	198AA1	1	Pulley, V-Drive
4	172CY5	2	Ring, Internal, Retaining
5	172DE5	1	Ring, External, Retaining
6	471CX1	1	Stand

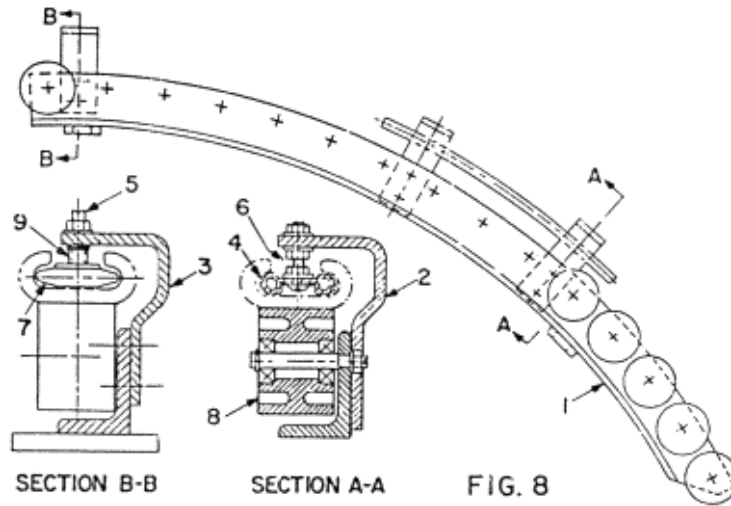
Page 7 - ESCAL-AIRE HANDRAIL GUIDE (UPPER BOW) FIG. 7



ESCAL-AIRE HANDRAIL GUIDE (UPPER BOW) FIG. 7
 (2 REQ.) ML 7115BE1, A7115BE1 ARR. 1 L.H. SHOWN ARR. 2 R.H. OPPOSITE

(2 REQ.) ML 7115BE1, A7115BE1 ARR. 1 LH SHOWN ARR. 2 RH OPPOSITE

REF. NO.	PART NO.	QUAN-TITY	DESCRIPTION
1	272AYN1	1	Angle, Handrail Guide Arr. 1 (7115BE1)
1	272AYN2	1	Angle, Handrail Guide Arr. 2 (7115BE1)
1	A272AYN1	1	Angle, Handrail Guide Arr. 1 (A7115BE1)
1	A272AYN2	1	Angle, Handrail Guide Arr. 2 (A7115BE1)
2	316CFK1	4	Bracket (Not as illus.) (7115BE1)
2	<B6AZS2	4	Bracket (A7115BE1)
3	<38M2	4	Guide, Handrail (7115BE1)
3	385JM6	2	Guide, Handrail (A7115BE1)
4	<3775 Not Illustrated.	8	Pipe (7115BE1)
5	456AT6	14	Roller, (With Pin 77KS2)
6	456AT7	30	Roller, (With PIN 77KS1)



ESCAL-AIRE HANDRAIL GUIDE (LOWER BOW) FIG. 8
 (2 REQ) M.L. 7115BF1, A7115BF1 ARR. 1 L.H. SHOWN; ARR. 2 R.H. OPPOSITE

ESCAL-AIRE HANDRAIL GUIDE (LOWER BOW) FIG. 8
 (2 REQ) ML 7115BF1, A7115BF1 ARR. 1 LH SHOWN; ARR. 2 RH OPPOSITE

REF. NO.	PART NO.	QUAN-TITY	DESCRIPTION
1	272AYM1	1	Angle, Handrail Guide Arr. 1 (7115BF1)
1	272AYM2	1	Angle, Handrail Guide Arr. 2 (7115BF1)
1	A272AYM1	1	Angle, Handrail Guide Arr. 1 (A7115BF1)
1	A272AYM1	1	Angle, Handrail Guide Arr. 2 (A7115BF1)
2	316CFK1	2	Bracket (Not As Illus.) (7115BF1)
2	B316AZS2	4	Bracket (A7115BF1)
3	B316AZS1	2	Bracket (A7115BF1)
4	385JM2	2	Guide, Handrail (A7115BF1)
4	385JM5	2	Guide, Handrail (A7115BF1)
5	77VT1	2	Pin (A7115BF1)
6	377Y5 Not Illustrated.	4	Pipe (7115BF1)
7	198AD2	2	Pulley (A7115BF1)
8	456AT8	30	Roller
9	462CA3	2	Spacer

C-1088 - Escal-Aire Handrail Mechanism for Type 32RB-C & 48RB-C

Page 9 - ESCAL-AIRE HANDRAIL GUIDE (ROLLED SHAPE) FIG. 9

0-1513 0-1513A 0-1512B
 DWG. 6814EE ARR. 3, 4

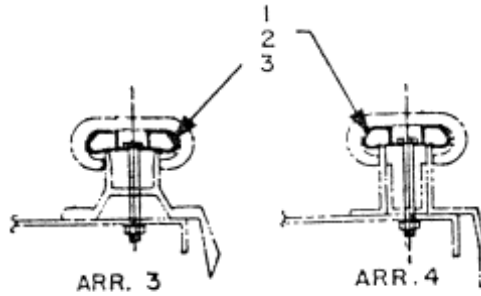
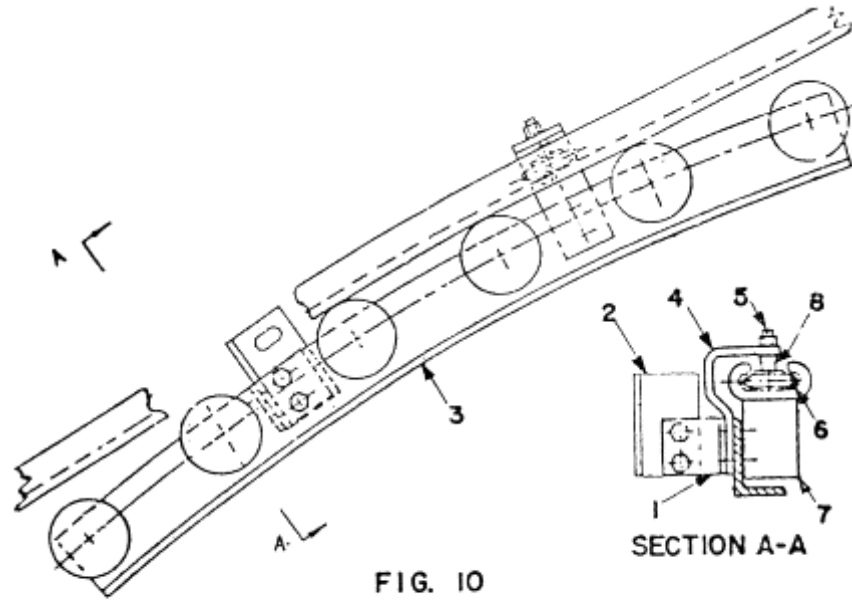


FIG. 9

REF. NO.	PART NO.	QUANTITY	DESCRIPTION
1	385JF2 <i>Note: Furnished by Escalator Sales.</i>	2	Guide, Upper Curve
2	385JG3 <i>Note: Furnished by Escalator Sales.</i>	2	Guide, Lower Curve
			(Arr. 3 Support
			Molding Aluminum)
2	385JG4 <i>Note: Furnished by Escalator Sales.</i>	2	Guide Lower Curve
			(Arr. 4 Support
			Molding Stainless
			Steel)
3	385JM1 <i>When ordering Incline Handrail Guides give Sales No. of Escal-Aire.</i>	-	Guide, Incline

C-1088 - Escal-Aire Handrail Mechanism for Type 32RB-C & 48RB-C



ESCAL-AIRE HANDRAIL GUIDE (CENTER SUPPORT) FIG. 10
0-1513A, 0-1512B M.L. 7115CG1

ESCAL-AIRE HANDRAIL GUIDE (CENTER SUPPORT) FIG. 10
0-1513A, 0-1512B ML 7115CG1

REF. NO.	PART NO.	QUAN-TITY	DESCRIPTION
1	272LM26	2	Angle, Clip
2	272BCM1	1	Angle, (As Shown)
2	272BCM2	1	Angle, (Opposite)
3	272BCN1	1	Angle, Handrail
			Guide
4	B316AZS1	2	Bracket
5	77VT1	2	Pin
6	198AD2	2	Pulley
7	456AT8	6	Roller
8	462CA3	2	Spacer

C-1088 - Escal-Aire Handrail Mechanism for Type 32RB-C & 48RB-C

Page 10 - ESCAL-AIRE HANDRAIL GUARD - FIG. 11

(4) REQ. ML 6337P2

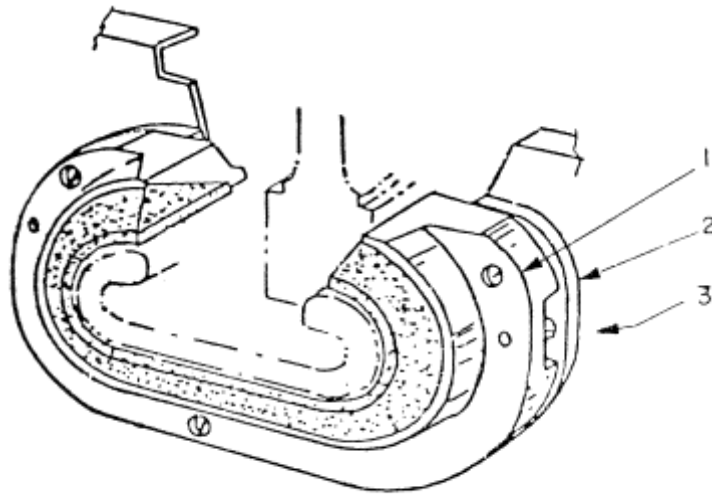


FIG. 11

REF. NO.	PART NO.	QUAN-TITY	DESCRIPTION
1	384JR1	1	Guard, Handrail
2	180AE2	1	Holder, Handrail
			Guard
3	462HA47 Arrow indicates location, the Parts themselves not showing in the illustration.	2	Spacer

NOTE: Not furnished Assembled.

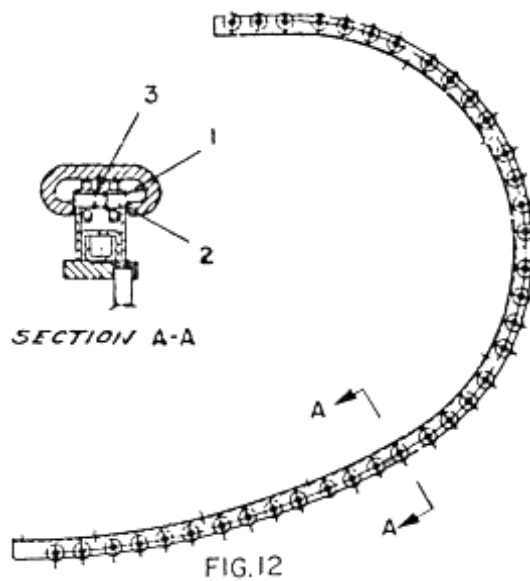


FIG. 12

C-1088 - Escal-Aire Handrail Mechanism for Type 32RB-C & 48RB-C

Page 11 - 32RB-C & 48RB-C ESCAL-AIRE FORMED NEWEL

ML 2205C1 MOUNTING PARTS FIG. 12

REF. NO.	PART NO.	QUAN- TITY	DESCRIPTION
1	207BF1	78	Bearing, Ball
2	81CE1	39	Pin
3	172JR3	78	Ring, Retaining