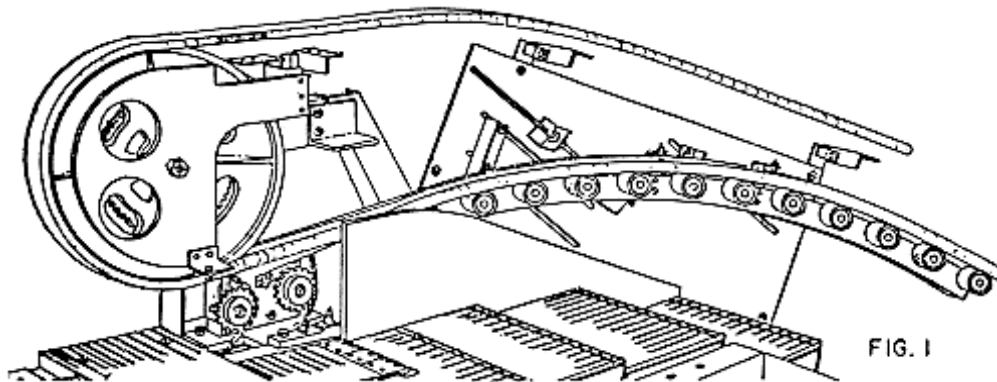


C-1087 - Escalator Handrail Mechanism For Type 32RB-C & 48RB-C, Order Forms 0-1512, 0-1513, 0-1516

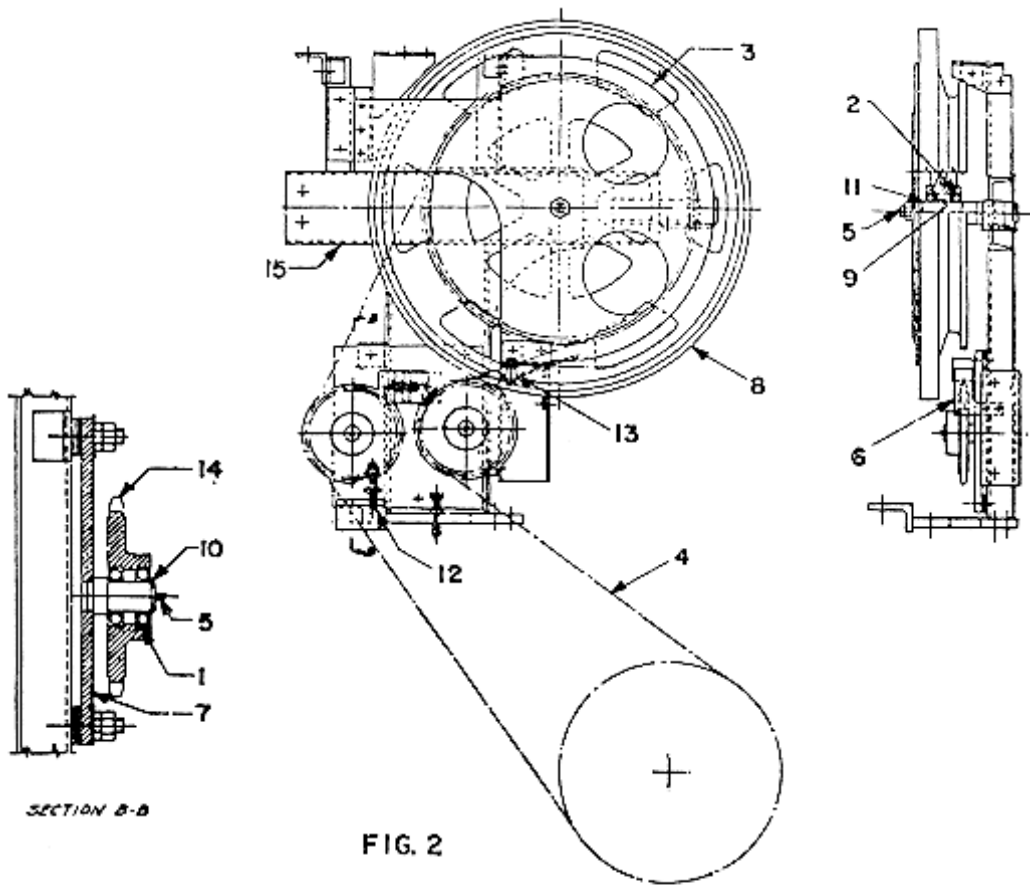
June 1, 1972

Page 1

(See C-1082 for Typical Arrangement Dwg. and Parts Leaflet Index of Unit Assemblies)



- Handrail Drive: ML -6814A-
- Handrail Roller Guide: (Tension Device) M L -6814AK-
- Newel Stand Lower Landing: M L -6814AW-
- Handrail Guides: (Rolled Shape) Dwg. 6814EE
- Handrail Drive Center Support Guide: M L -6814EE-
- Handrail Guard: (See Parts Leaflet C-970): M L 6337P1
- Handrail: (By Zone) Shape, Otis 50VZ or 50ACT
- Handrail & Step Chain Lubricator: (See Parts Leaflet C-970) M L A6245R-



ESCALATOR HANDRAIL DRIVE FOR TYPE 32RB-C & 48RB-C FIG. 2
ORDER FORM 0-1512, 0-1516B GEN. ARR. DWG. C7115C
M.L. E6814A1, G6814A1 DWG. G6814A (ARR. 1 L.H. SHOWN)
M.L. E6814A2, G6814A2 DWG. G6814A (ARR. 2 R.H. OPPOSITE)

C-1087 - Escalator Handrail Mechanism For Type 32RB-C & 48RB-C, Order Forms 0-1512, 0-1513, 0-1516

REF. NO.	PART NO.	QUAN-TITY	DESCRIPTION
1	207Z18	4	Bearing, Ball (For Idler Sprockets)
2	207Z19	2	Bearing, Ball (Pulley)
3	A316ATM1	1	Bracket, Balustrade (Arr. 1)
3	A316ATM2	1	Bracket, Balustrade (Arr. 2)
4	332AW12	2	Chain, Handrail Drive #80 1" Pitch 200" Lg.
5	435W1	3	Fitting, Lubricator
6	A384KP2	1	Guard, Chain (Arr. 1)
6	A384KP3	1	Guard, Chain (Arr. 2)
7	C105BK1	1	Plate, Base (Arr. 1)
7	C105BK2	1	Plate, Base (Arr. 2)
8	198AB2	1	Pulley, Handrail Drive With Rubber tire 68T.
9	172CY5	2	Ring, Internal Retaining (Pulley)
10	172DE4	2	Ring, External Retaining (Sprocket)
11	172DE5	1	Ring, External Retaining (Pulley)
12	A95CH1	1	Rod, Shouldered
13	462RM4	1	Spacer, Steel
14	195FW1	2	Sprocket, Idler, 24T. #80 Chain 1" Pitch
15	D471BF1	1	Stand, Newel (Arr. 1)
15	D471BF2	1	Stand, Newel (Arr. 2)

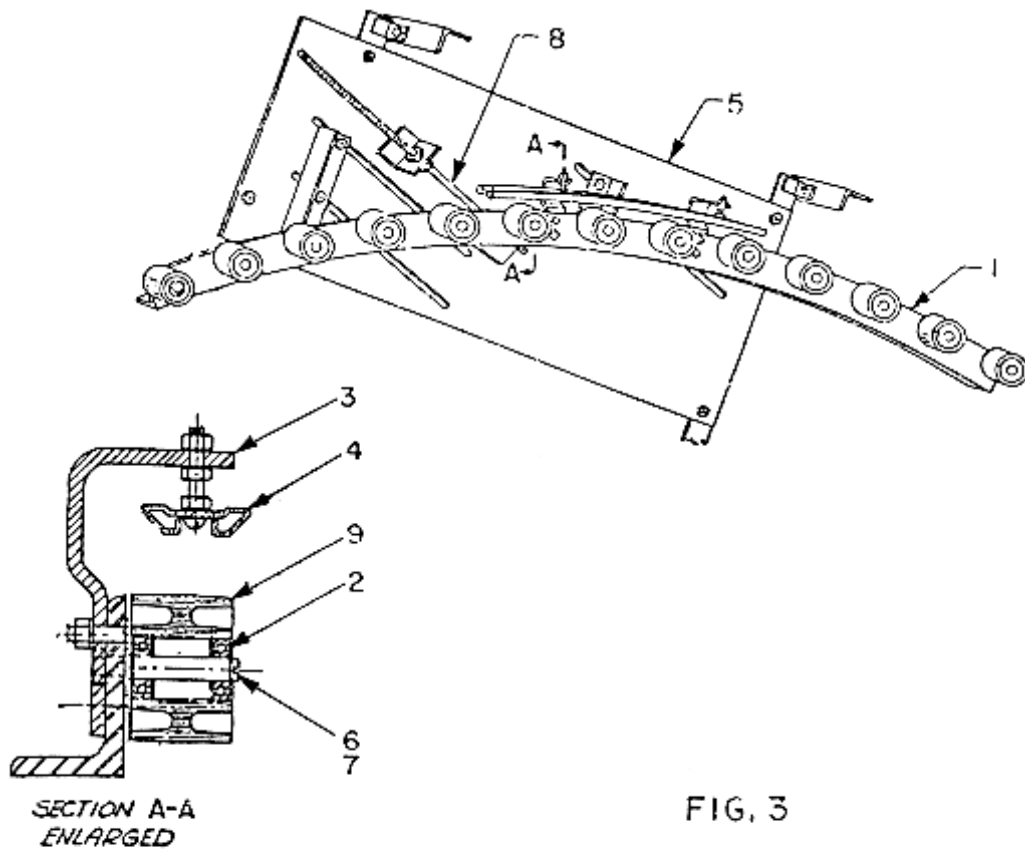


FIG. 3

HANDRAIL ROLLER GUIDE FOR ESCALATOR TYPE 32RB-C & 48RB-C FIG. 3
ORDER FORM 0-1513A, 01512B
M.L. A6814AK1, C6814AK1 ARR.#1 L.H., ARR. #2 R.H. GEN. ARR. DWG. C7115C

C-1087 - Escalator Handrail Mechanism For Type 32RB-C & 48RB-C, Order Forms 0-1512, 0-1513, 0-1516

REF. NO.	PART NO.	QUAN-TITY	DESCRIPTION
1	A272AJL3 <i>Handrail Roller Guide ML A6814AK1 was designed for 14 Rollers on each side. About May 1968 the number was reduced to 13 Rollers on each side per ML C6814AK1.</i>	1	Angle, Handrail Guide (Arr. #1 L.H.)
1	C272AJL3	1	Angle, Handrail Guide (Arr. #1 L.H.)
1	A272AJL4 <i>Handrail Roller Guide ML A6814AK1 was designed for 14 Rollers on each side. About May 1968 the number was reduced to 13 Rollers on each side per ML C6814AK1.</i>	1	Angle, Handrail Guide (Arr. #2 R.H.)
1	C272AJL4	1	Angle, Handrail Guide (Arr. #2 R.H.)
2	207Z33	-	Bearing, Ball
3	A316AZS1 <i>Handrail Roller Guide ML A6814AK1 was designed for 14 Rollers on each side. About May 1968 the number was reduced to 13 Rollers on each side per ML C6814AK1.</i>	4	Bracket, Guide
3	B316AZS1	4	Bracket, Guide
4	385JM4 <i>Handrail Roller Guide ML A6814AK1 was designed for 14 Rollers on each side. About May 1968 the number was reduced to 13 Rollers on each side per ML C6814AK1.</i>	2	Guide
4	385JM7	2	Guide
5	386AHX1 <i>Handrail Roller Guide ML A6814AK1 was designed for 14 Rollers on each side. About May 1968 the number was reduced to 13 Rollers on each side per ML C6814AK1.</i>	1	Plate (Arr #1 L.H.)
5	B386AHX1	1	Plate (Arr #1 L.H.)
5	386AHX2 <i>Handrail Roller Guide ML A6814AK1 was designed for 14 Rollers on each side. About May 1968 the number was reduced to 13 Rollers on each side per ML C6814AK1.</i>	1	Plate (Arr #2 R.H.)
5	B386AHX2	1	Plate (Arr #2 R.H.)
6	77KS1	-	Pin (For Rollers)
7	172DE10	-	Ring, Retaining
8	96H207	2	Rod
9	456AT8	-	Roller, With Bearings and Pin.

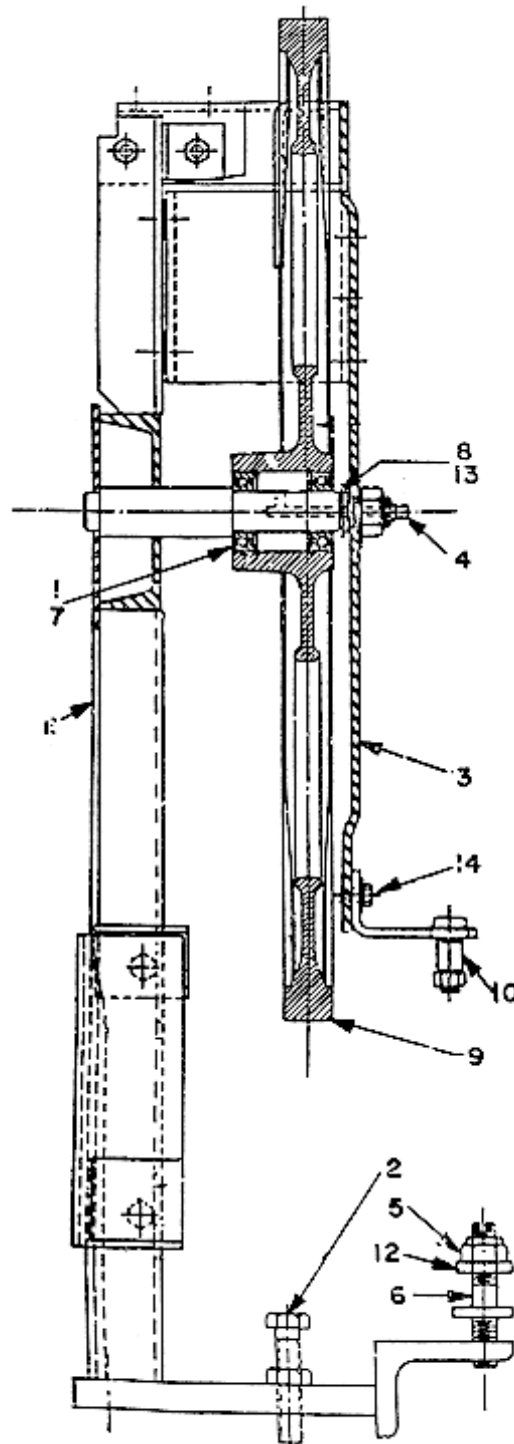


FIG. 4

C-1087 - Escalator Handrail Mechanism For Type 32RB-C & 48RB-C, Order Forms 0-1512, 0-1513, 0-1516

NEWEL STAND LOWER LANDING - FIG. 4

FOR ESCALATOR TYPE 32RB-C & 48RB-C

O-FORM 0-1512, 0-1512A, 0-1516B

ML B6814W1, D6814W1, ARR 1 L.H. SHOWN

ML B6814W2, D6814W2, ARR 2 R.H. OPP.

REF. NO.	PART NO.	QUAN-TITY	DESCRIPTION
1	207Z18	2	Bearing, Ball
2	58XA26	3	Bolt
3	A316ATM2	1	Bracket, Balustrade Arr. #1
3	A316ATM1	1	Bracket, Balustrade Arr. #2
4	435W1	1	Fitting, Lubricator
5	67G1	1	Nut
6	A95CH1	1	Rod, Shouldered
7	172CY4	2	Ring, Retaining, Internal
8	172DE4	1	Ring, Retaining, External
9	265AV1	1	Sheave, Newel Handrail
10	462BM4	1	Spacer
11	A471BB1	1	Stand, Newel (Arr. #1 (ML B6814W1))
11	C471BB1	1	Stand, Newel (Arr. #1 (ML D6814W1))
11	A471BB2	1	Stand, Newel (Arr #2 ML B6814W2)
11	C471BB2	1	Stand, Newel (Arr. #2 ML D6814W2)
12	127VB62	2	Washer
13	127VB70	8	Washer
14	130J4	2	Washer

HANDRAIL GUIDES (ROLLED SHAPE) FIG. 5

FOR ESCALATOR TYPE 32RB-C & 48RB-C

0-1513, O-1513A 0-1512B DWG. 6814EE

REF. NO.	PART NO.	QUAN-TITY	DESCRIPTION
1	385JF1	2	Guide, Upper Curves
2	385JG2	2	Guide, Lower Curves
3	385JM1	-	Guide, Incline