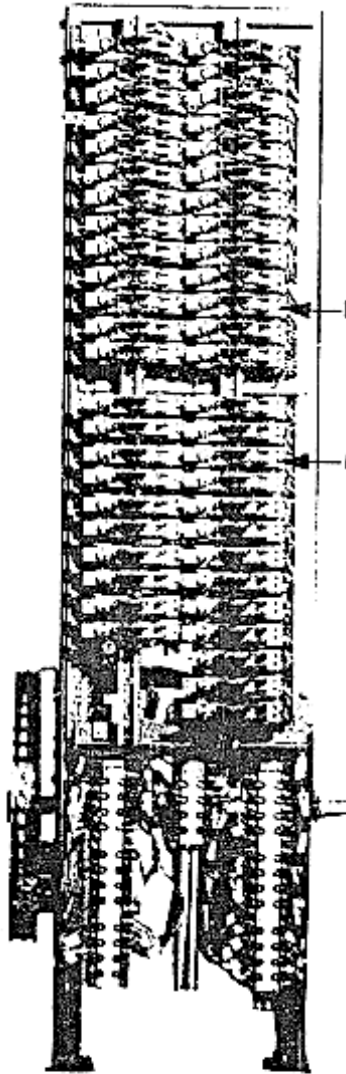


**C-1071 - Type 6850DK Selector w/Type 6850DN Relay Panel**

Supersedes SPL C-1071 Dated August 31, 1969  
**July 1997**

**Page 1**



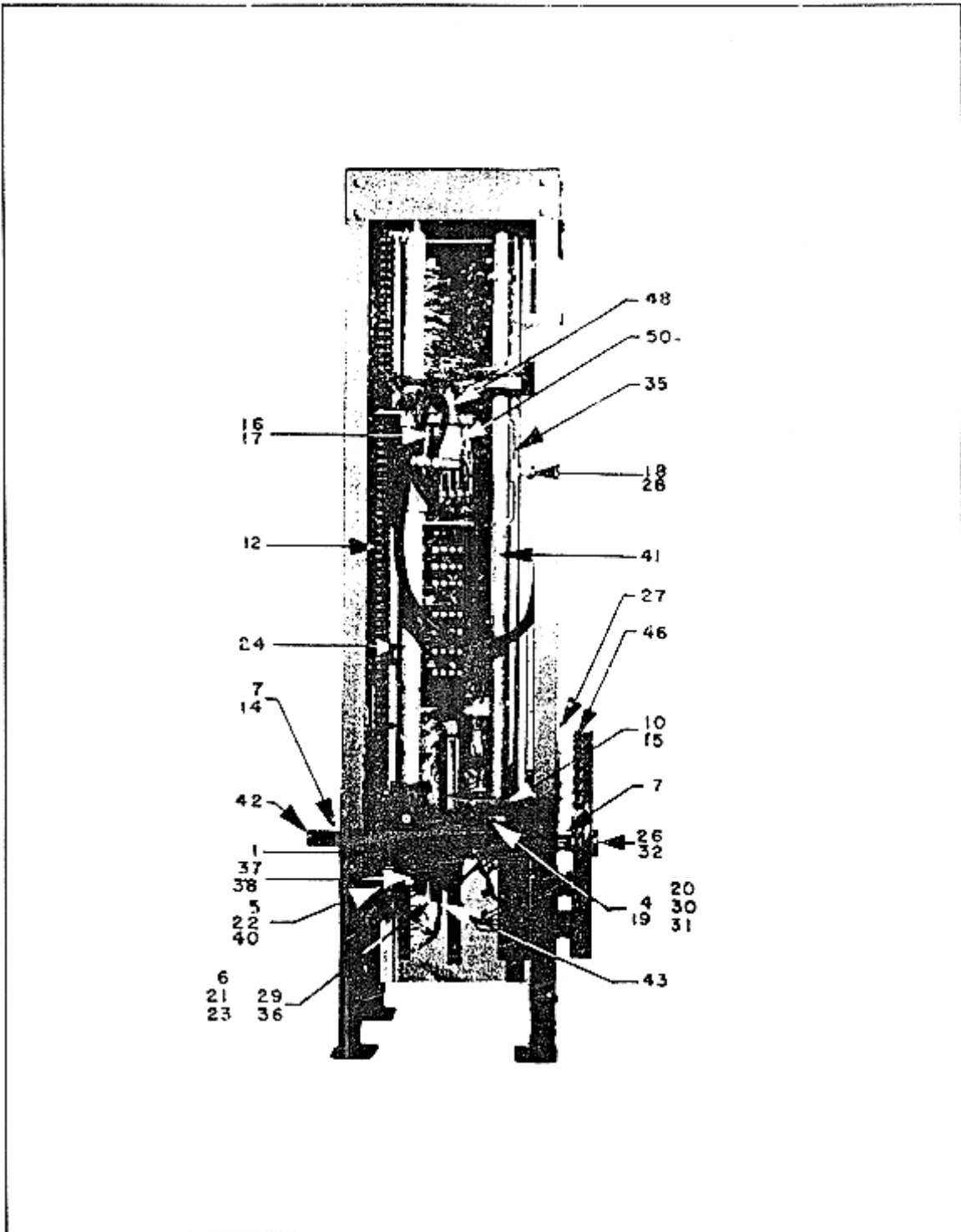
**1-7058B Switches (for Details See Leaflet C-1045)**

**•Resistors (for Details See Leaflet C-609)**

**ORDER FORM O-486FK and 486J**

C-1071 - Type 6850DK Selector w/Type 6850DN Relay Panel

Page 2 - TYPE 6850 DK SELECTOR



## C-1071 - Type 6850DK Selector w/Type 6850DN Relay Panel

Page 3

### TYPE 6850 DK SELECTOR

ML 4100B1, 3 60:1 Ratio ML 4100B2, 4 111:1 Ratio

ML 4101B - and Order Form O - 486FK

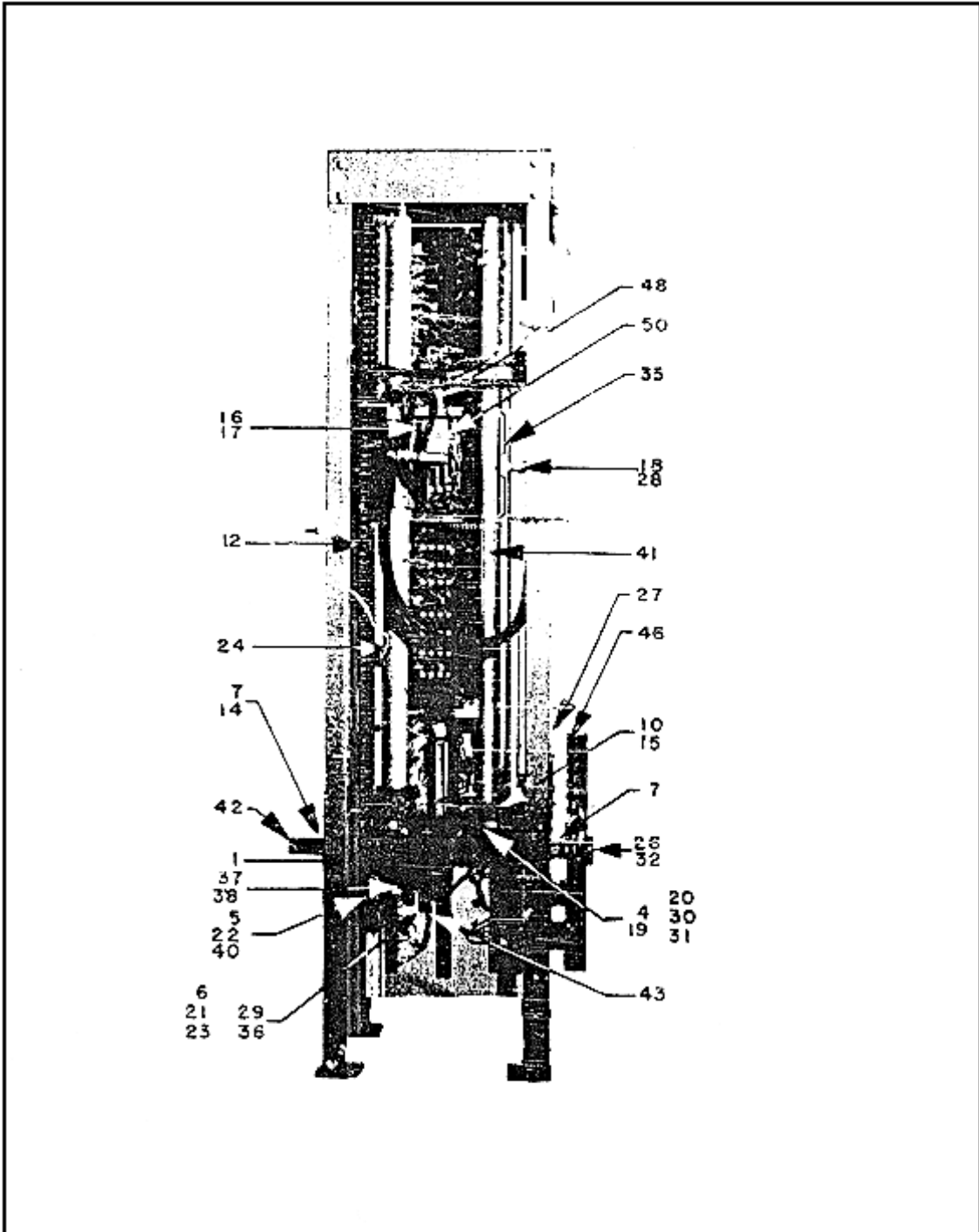
Ref. #	Part No.	Description
1	306JN2	Base, with Spacers and Pins (ML 4100B1 & 2)
1	306JN4	Base, with Spacers and Pins (ML 4100B3 & 4)
4 Arrow indicates location, the parts themselves not showing in the illustration.	207Z3	Bearing, Ball, Cam Shaft
5 Arrow indicates location, the parts themselves not showing in the illustration.	207Z44	Bearing, Ball, For Sprocket & Gear Shafts
6 Arrow indicates location, the parts themselves not showing in the illustration.	207Z45	Bearing, Ball, Pinion Shaft
7 Arrow indicates location, the parts themselves not showing in the illustration.	207BD1	Bearing, Ball, for Sprocket & Gear Shafts
10 Arrow indicates location, the parts themselves not showing in the illustration.	316BPT4	Bracket, with Indicator (used with Collar #340AX4 or 5)
12	A332AH2	Chain, Roller, 5/8" Pitch, .400" Roller dia., 3/8" wide, 120-5/8" long
12	A332AH11	Chain, Roller, 5/8" Pitch, .400" Roller dia., 3/8" wide, 95-5/8" long
12	A332AH12	Chain, Roller, 5/8" Pitch, .400" Roller dia., 3/8" wide, 70-5/8" long
14 Arrow indicates location, the parts themselves not showing in the illustration.	339CB1	Clip, 5/8" wide, 3/4" long, 1/16" thick (retaining for Brg. #207BD1)
15	340AX4	Collar with Indicator dial (for 111:1 ratio)
15	340AX5	Collar with Indicator dial (for 60:1 ratio)
16	348T1	Crosshead, Cast Iron
17 Arrow indicates location, the parts themselves not showing in the illustration.	435AF1	Cup, Drive-in-Type, oil (for Crosshead)
18	374LP2	Frame, Crosshead Panel, w/roller arm, pins & bearing (see Page 5, Fig. 4)
19	202BP1	Gear, Bevel, 40 teeth w/Rings. retaining, internal for 111:1 ratio
20	202BR1	Gear, Bevel, 54 teeth (for Drive Shaft)

**C-1071 - Type 6850DK Selector w/Type 6850DN Relay Panel**

21	201BR2	Gear, Spur, 82 teeth
22	205C6	Gear, Sprocket, 48 teeth w/Rings, retaining, internal for 111:1 ratio
22	205C8	Gear, Sprocket, 40 teeth w/Rings retaining, internal for 60:1 ratio
23 Arrow indicates location, the parts themselves not showing in the illustration.	201BS3	Gear, Pinion, 15 teeth, 111:1 ratio (for Shaft 494GW2)
23 Arrow indicates location, the parts themselves not showing in the illustration.	201BS4	Gear, Pinion, 23 teeth, 60:1 ratio (for Shaft 494GW3)
24	385HK2	Guide, Crosshead, with pin; 59-3/8"
24	385HK3	Guide, Crosshead, with pin; 46-7/8"
24	385HK4	Guide, Crosshead, with pin; 34-3/8"
26	397Z1	Hub, Sprocket (for sprocket #195AY1 or #195DR1 see Page 5, Fig. 6)
27	269AL3	Indicator, Tape (pointer)
28 Arrow indicates location, the parts themselves not showing in the illustration.	269T3	Indicator, Floor Bar setting
29 Arrow indicates location, the parts themselves not showing in the illustration.	192D62	Key, 3/16" straight, one end round, 1-3/8" long (for gear #201BR2)
30 Arrow indicates location, the parts themselves not showing in the illustration.	192E19	Key, 1/4" square, 1-1/16" long (for Gear #202BP1 - Cam Shaft)

C-1071 - Type 6850DK Selector w/Type 6850DN Relay Panel

Page 4



## C-1071 - Type 6850DK Selector w/Type 6850DN Relay Panel

Page 5

### TYPE 6850 DK SELECTOR

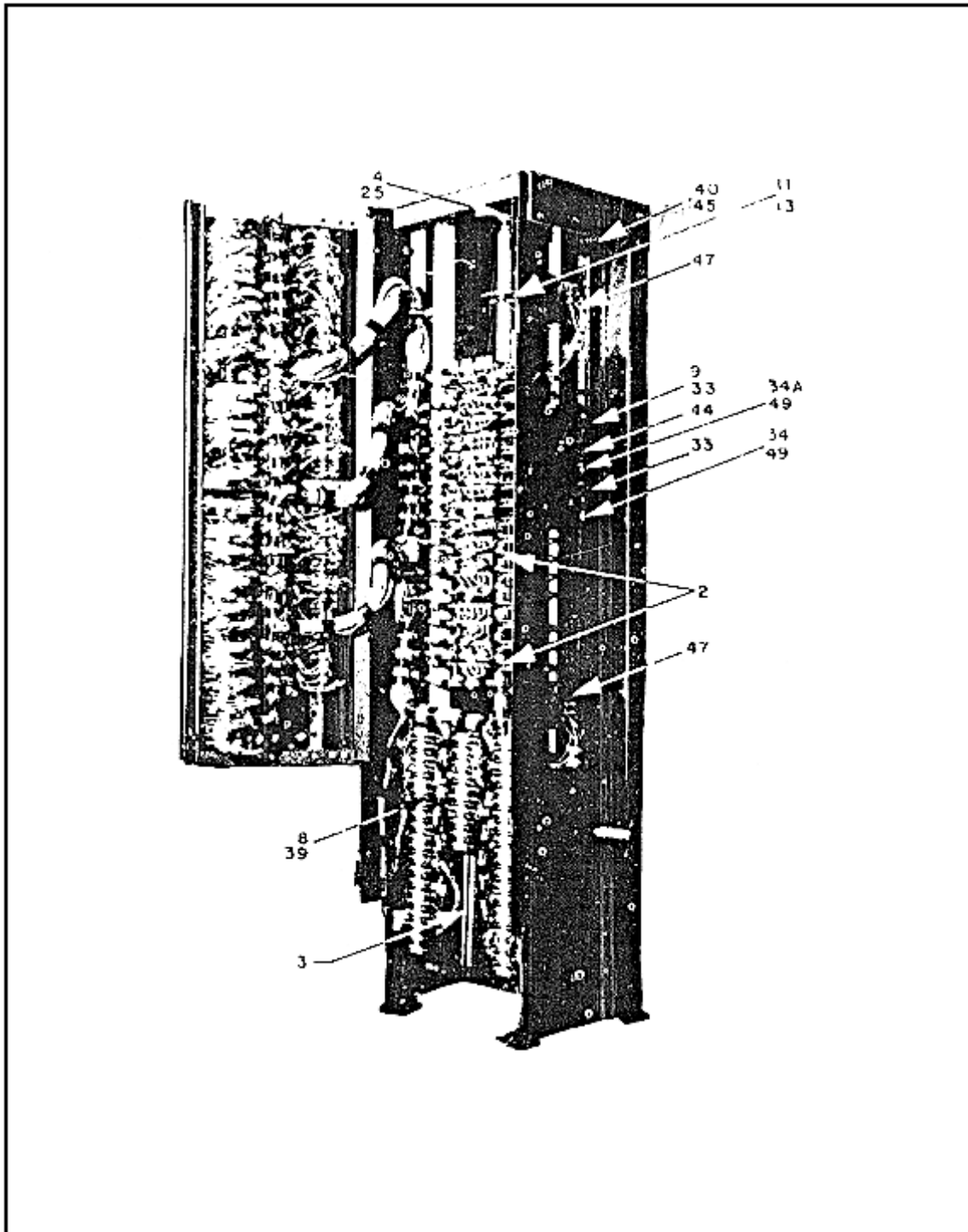
ML 4100B1, 3 60:1 Ratio ML 4100B2, 4 111:1 Ratio

ML 4101B - and Order Form O - 486FK

Ref. #	Part No.	Description
31 Arrow indicates location, the parts themselves not showing in the illustration.	192E20	Key, 1/4" square, 1-1/4" long (for Gear #202BR1 - Drive Shaft)
32 Arrow indicates location, the parts themselves not showing in the illustration.	192E25	Key, 1/4" square, 2" long (for Hub)
35	-	Panel, Crosshead (for details Page 5, Fig. 4)
36 Arrow indicates location, the parts themselves not showing in the illustration.	81AX3	Pin, Spring, 3/16" dia., 1" long (for Gear #201BS3)
36 Arrow indicates location, the parts themselves not showing in the illustration.	81AX4	Pin, Spring, 3/16" dia., 1-3/8" long (for Gear #201BS4)
37 Arrow indicates location, the parts themselves not showing in the illustration.	81AX5	Pin, Spring, 3/16" dia., 1-3/4" long (for Pin 77RL1)
38 Arrow indicates location, the parts themselves not showing in the illustration.	77RL1	Pin, Shouldered, 3/4" dia., 3-3/4" long (for Gear 205C6 or 8 to base)
40 Arrow indicates location, the parts themselves not showing in the illustration.	172DE19	Ring, Retaining (for Pin 77RL1 and for Sprocket 195CH4)
41	A494ET3	Shaft, Cam, 1-1/8" dia., 59" long
41	A494ET4	Shaft, Cam, 1-1/8" dia., 46-1/2" long
41	A494ET5	Shaft, Cam, 1-1/8" dia., 34" long
42	494JB1	Shaft, Drive, 1-1/8" dia., 20-5/8" long 16 teeth
43	494GW2	Shaft, Pinion, 3/4" dia., 4-7/8" long with bearing, gear 15T & Pin (for 110:1 ratio)
43	494GW3	Shaft, Pinion, 3/4" dia., 4-7/8" long with bearing, gear 23T & Pin (for 60:1 ratio)
46	195DR1	Sprocket, Tooth tape, 52 teeth (for Direct Drive)
48	A6851D1	Switch, Leveling complete (for details see page 5, Fig. 6)
50	488B2	Wick, 3" wide, 5-3/4" long, 1/8" thick, felt (for Crosshead)

C-1071 - Type 6850DK Selector w/Type 6850DN Relay Panel

Page 6



## C-1071 - Type 6850DK Selector w/Type 6850DN Relay Panel

### Page 7

#### Type 6850 DK Selector

ML 4100B1, 3 60:1 Ratio ML 4100B2, 4 111:1 Ratio

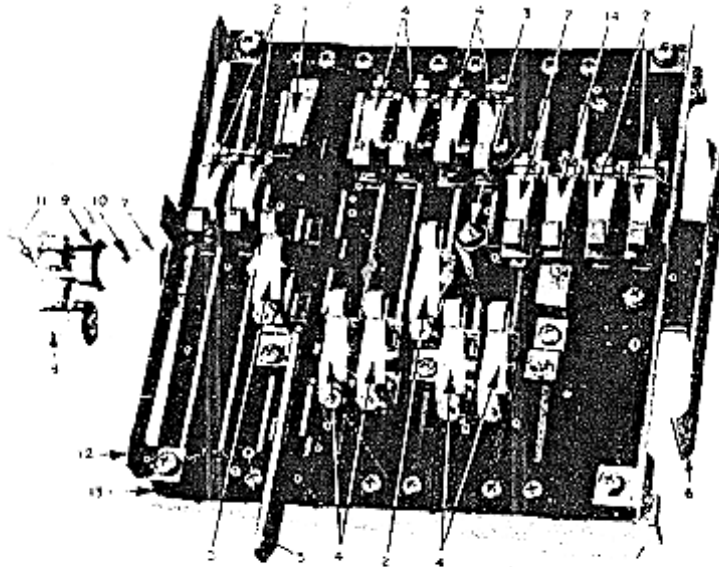
ML 4101B - and Order Form O - 486FK

Ref. #	Part No.	Description
2 Arrow indicates location, the parts themselves not showing in the illustration.	-	Bars, Floor complete (for details see Page 5, Fig. 5)
3 Arrow indicates location, the parts themselves not showing in the illustration.	299TP12	Bar, Support, 19-1/2" long
3	299TP9	Bar, Support, 12-3/4" long
8 Arrow indicates location, the parts themselves not showing in the illustration.	303H1	Board, 18 Stud Terminal
8 Arrow indicates location, the parts themselves not showing in the illustration.	303H2	Board, 10 Stud Terminal
9 Arrow indicates location, the parts themselves not showing in the illustration.	58XA135	Bolt, Fin., 3/8" Dia. 4-1/2" long (for Lever #388FZ1)
Not Illustrated Arrow indicates location, the parts themselves not showing in the illustration.	65BD2	Bolt, Special, 1-1/4" long, 1/4" dia., (for support bar)
11 Arrow indicates location, the parts themselves not showing in the illustration.	6827C1	Cam, complete with clamp
11	327FT2	Cam, Leveling (for Cam 6827C1)
13	336CM1	Clamp, (for Cam 6827C1)
25	396BC2	Housing, Bearing, 2-3/8" OD 1/2" thick (for Bearing 207Z3)
33	288FZ1	Lever, Alum, (Chain to Crosshead)
34	67G8	Nut, 3/8" Elastic stop (for Lever #288FZ1)
34A	67AA1	Nut, Lock (for Bolt #58XA135)
Not Illustrated	-	Pack, Power (for details see Page 8, Fig. 12)
39	102CD1	Plate, Marking (for Board 303H1)
39	102CD2	Plate, Marking (for Board 303H2)
44	90JC15	Spring, Compression 1" OD 2" long, 6 active turns (for Bolt #58XA135)
45	195CH4	Sprocket, Chain, 12 teeth w/Ring retaining, Internal
Not Illustrated	195AY1	Sprocket, Tooth tape, 52 teeth (for Direct Drive)
47	6850DJ3-4	Switch, Limit complete (for details see Page 10, Fig. 15)
Not Illustrated	6850P	Tightener, Chain (for details see Page 5, Fig. 6)
49	131P2	Washer, Special, 7/16" ID, 1" OD, 5/16" thick (for Lever #288FZ1)



C-1071 - Type 6850DK Selector w/Type 6850DN Relay Panel

Page 8 - CROSSHEAD PANEL



**Parts for Crosshead Panel**

Dwg. A6850BR, A6850BS, 6850DH, Form 0-486FK

Ref. #	Part No.	Description
1	6839B4	Brush, Switch (see Page 9, Fig. 14)
2	A6839F4	Brush, (see Page 7, Fig. 8)
3	6482C2	Brush, Plunger (see Page 8, Fig. 11)
4	6839AA1	Brush, (see Page 11, Fig. 16)
5	2166J7	Cam "AS" long (see Page 11, Fig. 17)
5	2166J8	Cam "AP" short, (see Page 11, Fig. 17)
5	2166J9	Cam "C", short, (see Page 11, Fig. 17)
5	2166J11	Cam "E", long (see Page 11, Fig. 17)
6	327HV1	Cam "AT", steel
7	374LP2	Frame, Aluminum, Crosshead panel, complete consis. of
8	-	1-Arm, Roller #288HT2 with Ball Brg. #207Z29 and Pin, shouldered #77AV3
9	-	1-Bearing, Ball #207Z31
10	-	1-Pin, Spring #81AX6, 1/8" dia. 5/8" long
11 Arrow indicates location, the parts themselves not showing in the illustration.	7RW1	1-Pin, Shouldered, 2-1/4" long
12	269T3	Indicator, Floor bar setting
13	438CD1	Panel (Base) Crosshead 1-7/8" wide, 8-1/4" long
14	6839Y4	Switch "AG" Brush (see Page 9, Fig. 13)

## C-1071 - Type 6850DK Selector w/Type 6850DN Relay Panel

### Page 9 - FLOOR BARS



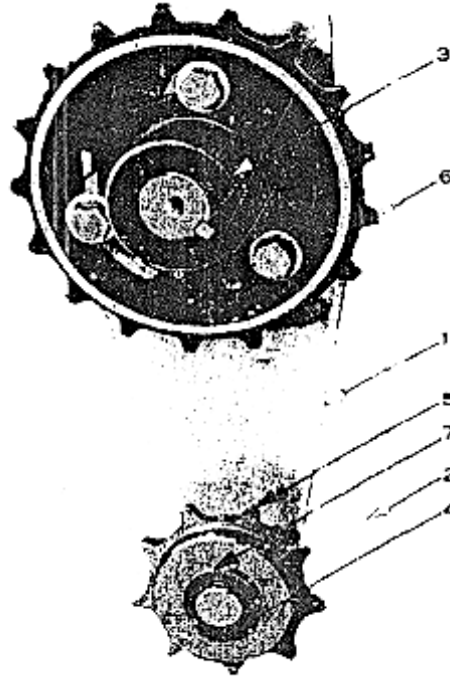
### Parts for Floor Bars

Dwg. A6850BS, 6850DH, Form 0-486FK

Ref. #	Part No.	Description
20	299YF1	Bar, Floor "U" shape 9-7/8" long
21	306GD1	Base, Floor bar, Phenolic 1-7/8"
22	306GD3	Base, Floor bar, Phenolic 1-1/4"
23 Arrow indicates location, the parts themselves not showing in the illustration.	339FV1	Clip, (for #177AH1 Switch)
Not Illustrated	156E3	Contact, BB, 3/8 wide, "U" shaped, silver
24	156AV2	Contact, BC, 5/16" x 3/8", silver
24	177AH1	Switch, Hook
Not Illustrated	6850DJ3	Switch, Limit, up direction & slowdown limits (see Page 10, Fig. 15)
Not Illustrated	6850DJ4	Switch, Limit, down direction & slowdown limits (see Page 10, Fig. 15)

**N.B.** It should be understood that the arrangement of the contacts and switches shown in fig. 4-5 is purely illustrative. In actual practice the quantity and arrangement of the various parts depend on many things, such as car speed, type of control, etc.

Page 10 - 6850P CHAIN TIGHTENER



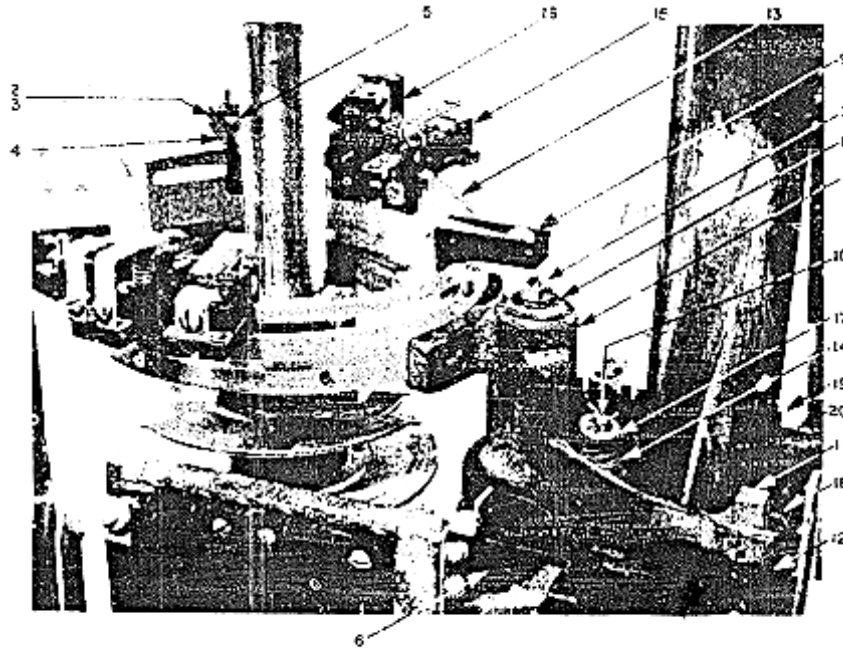
**Parts for Type 6850P Chain Tightener**

M.L. 6850P

Ref. #	Part No.	Description
1	316AXH2	Bracket, with Pin
2 Arrow indicates location, the parts themselves not showing in the illustration.	335E46	Bushing, Oil-less, 3/4" ID, 1" OD
3	397Z1	Hub, Sprocket
4	172DR3	Ring, Retaining
5	195AZ15	Sprocket, 9 teeth, with Bushing
6	195AY1	Sprocket, Rim, 17 teeth
7	127BA41	Washer, 49/64" ID, 1-1/4" OD, 1/16" thick, steel

C-1071 - Type 6850DK Selector w/Type 6850DN Relay Panel

Page 11 - 6851D LEVELING SWITCH

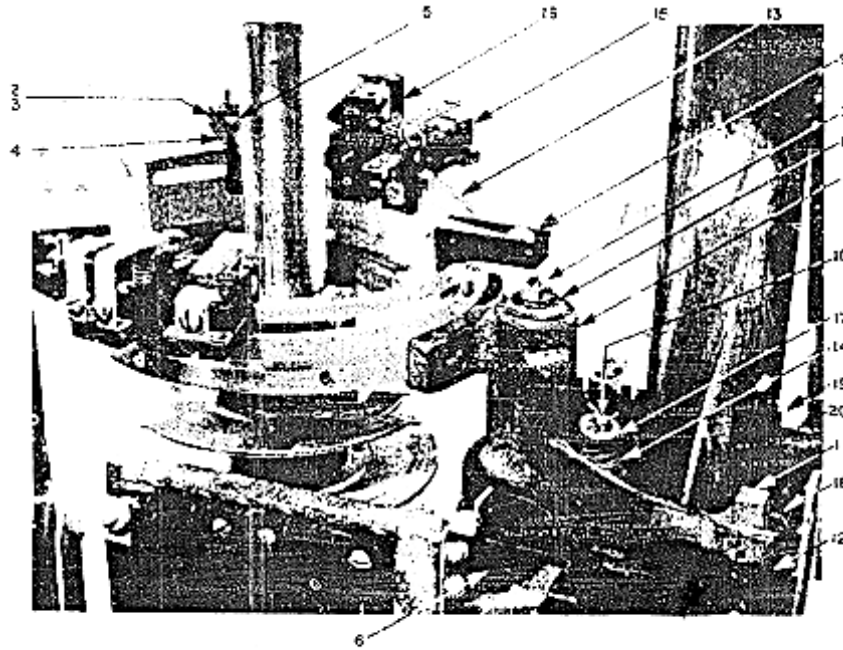


**Parts for 6851D Leveling Switch**

M.L. A6851D1 and Order Form 0-486FK

Ref. #	Part No.	Description
1	316BD1	Bracket, Guide
Not illustrated	320BV1	Bumper, Neoprene 1/2" dia., (for magnet coil)
2	6839D4	Contact, 6839D, each consisting of:
3	-	Base, Contact Part #306CH1
4	-	Contact, Spring, 2-1/2" long, carbon Part #154ADS
5	-	Washer Part #131BA1
6	222CV6	Coil, Magnet
7	400DR2	Core, with rod
8	385HD2	Guide, with tube
9	A269AT2	Indicator, Assembly
s Arrow indicates location, the parts themselves not showing in the illustration.		

**N.B.** It should be understood that the arrangement of the contacts and switches shown in fig. 7 is purely illustrative. In actual practice the quantity and arrangement of the various parts depend on many things, such as car speed, type of control, etc.

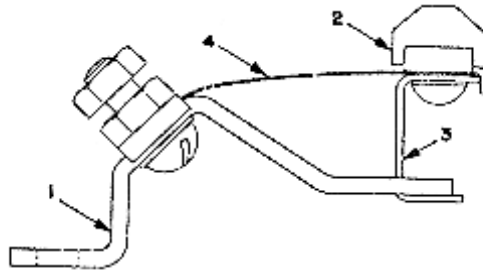


**Parts for 6851D Leveling Switch**

M.L. A6851D1 and Order Form 0-486FK

Ref. #	Part No.	Description
10	81LA2	Pin 1/4" dia., 1-3/4" long
11	77RH1	Pin, 3/8" square, 2-3/8" long
12	172DR6	Ring, Retaining (for #77RH1)
13	172JN2	Ring, 5-3/8" ID
14	90YA13	Spring, Compression
Not Illustrated	298CA22	Strip, Steel, (for magnet coil)
15	A6839E2	Switch, 6839E door zone (see Page 7, Fig. 9)
16	A6839G1	Switch, common & initial level (see Page 7, Fig. 10)
17	133A1	Washer, Spring seat
18 Arrow indicates location, the parts themselves not showing in the illustration.	129T21	Washer 1/4" ID, 1/2" OD, 014 thick non metallic (mylar) for core #400DR2
19 Arrow indicates location, the parts themselves not showing in the illustration.	129BT1	Washer, 1" ID, 1-1/2" OD, 1/8" thick, rubber
20	429BR6	Washer, 1-1/64" ID, 2" OD 1/64" thick, phenolic
	129BR3	

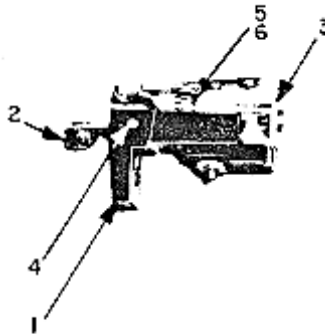
Page 13 - A6839F4 BRUSH SWITCH & 6839E DOOR ZONE SWITCH



**Parts for A6839F4 Brush Switch**

Dwg. A6839F

Ref. #	Part No.	Description
1	316BFV1	Bracket
2	156AT1	Contact, Silver alloy, 1/4" wide, 7/16" long
3	179AV1	Holder
4	93CC1	Spring, Flat



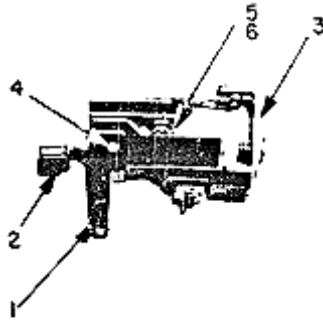
**Parts for 6839E Door Zone Switch**

M.L. A6839E2 60:1 & 111:1 Ratios

Ref. #	Part No.	Description
1	306FF1	Base, Contact
2	150P41	Contact, Moveable
3	A152AT1	Contact, Stationary
4	77MY1	Pin, 1/8" dia., 19/42" long
5 Arrow indicates location, the parts themselves not showing in the illustration.	368ALP1	Plate, Spring Support
6	90CE2	Spring, Compression

C-1071 - Type 6850DK Selector w/Type 6850DN Relay Panel

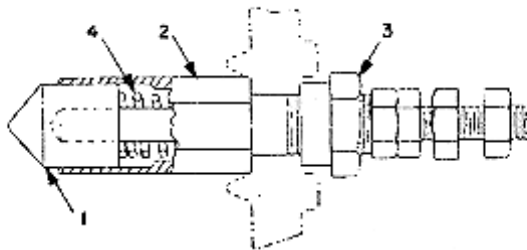
Page 14 - TYPE 6839G SWITCH & 6482C PLUNGER BRUSH



**Parts for Type 6839G Switch**

M.L. A6839G1

Ref. #	Part No.	Description
1	306FF1	Base, Contact
2	6839P1	Contact, Moveable
3	A152AR1	Contact, Stationary
4	77MY1	Pin, 1/8" dia., 19/32" long
5 Arrow indicates location, the parts themselves not showing in the illustration.	368ALP1	Plate, Spring Support
6	90DE2	Spring, Compression



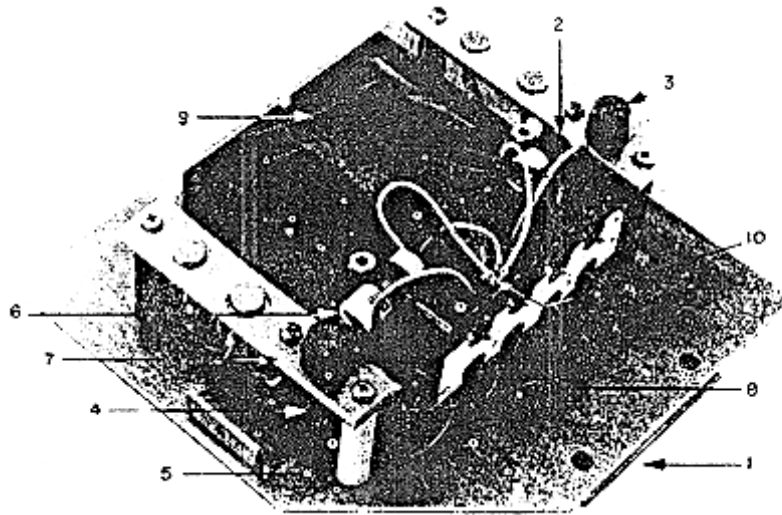
**Parts for 6482C Plunger Brush**

M.L. 6482C2

Ref. #	Part No.	Description
1	A151C2	Contact, carbon .434" OD 9/16" long
2	A385EG1	Guide for contact
3	72BH1	Nut, 5/16" NF thd.
4	90KA2	Spring, Compression, 1/4" ID 9/16" long

C-1071 - Type 6850DK Selector w/Type 6850DN Relay Panel

Page 15 - TYPE A6850BC - POWER PACK



Parts for Type A6850BC - Power Pack

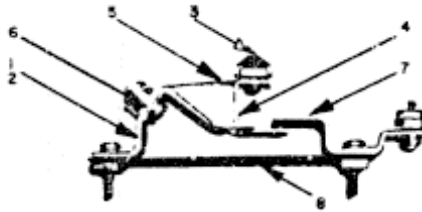
M.L. A6850BC2

Ref. #	Part No.	Description
1 Arrow indicates location, the parts themselves not showing in the illustration.	334H3	Bushing, 11/16" ID, 1-3/16" OD 3/8" thick rubber
2	336CZ8	Clamp, Plastic, for rectifier #230BF1
3	375P1	Fuse, 1 Amp.
4	180AA1	Holder, Fuse
5	354BD3	Piece, Distance, 2" long fibre
6	230BF1	Rectifier, Diode
7	230BE3	Rectifier, Silicon (with heat sink)
8 Arrow indicates location, the parts themselves not showing in the illustration.	462HA76	Spacer, 1" long, steel
9	235Y1	Transformer, 120 volts A/C, single phase, 60 cycles
10	130R1	Washer, Lock, Belleville



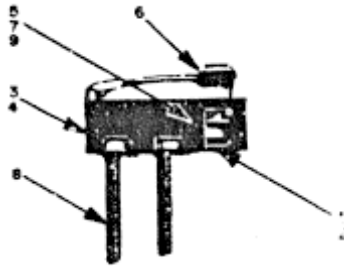
C-1071 - Type 6850DK Selector w/Type 6850DN Relay Panel

Page 16 - TYPE 6839Y SWITCH & 6839B BRUSH SWITCH



**Parts for Type 6839Y Switch**  
M.L. 6839Y4

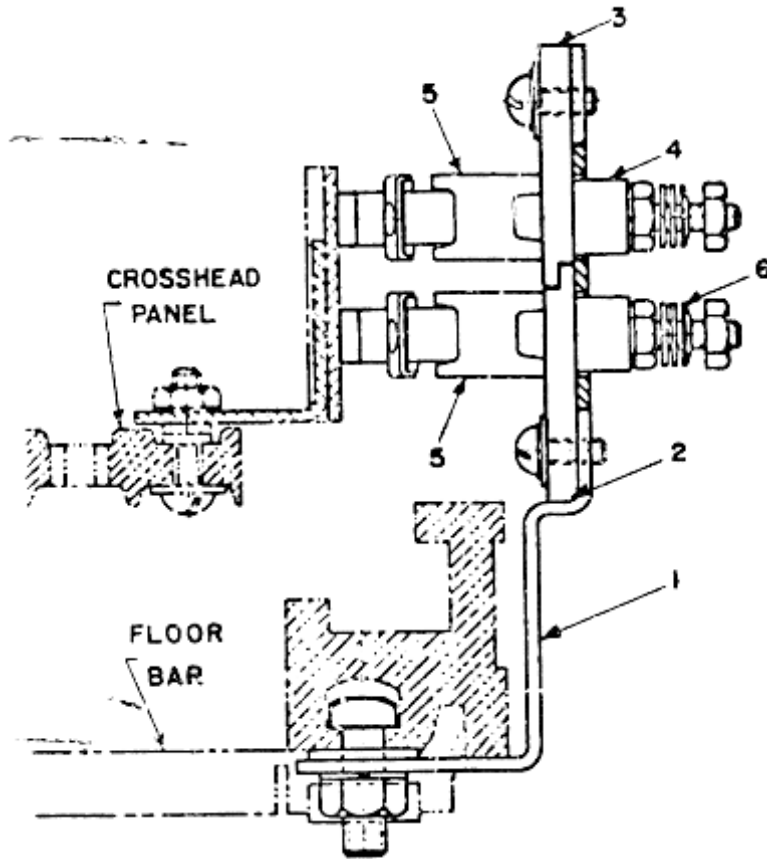
Ref. #	Part No.	Description
1	6839Y2	Contact, Movable consisting of:
2	-	Bracket Part No. 316BFV1
3	-	Contact, Sliver Alloy Part #156AT1
4	-	Contact, Movable Part #150T3
5	-	Spring, Flat Part #93CC1
6	-	Washer, Lock Part # 130W3
7	150BA7	Contact, Stationary
8	298EN1	Strip, Phenolic



**Parts for 6839B Brush Switch**  
M.L. 6839B4

Ref. #	Part No.	Description
4	306DN1	Base, Contact
5 Arrow indicates location, the parts themselves not showing in the illustration.	150R8	Contact, Silver, Assembled 3/16" OD
6	327DM2	Cam, Contact, Fibre, Assembled, .312" wide, .469" long
7 Arrow indicates location, the parts themselves not showing in the illustration.	477BT1	Stop
8	97C1	Stud, Terminal, 8-32 Thd., 1-3/4" long
9 Arrow indicates location, the parts themselves not showing in the illustration.	131BK1	Washer

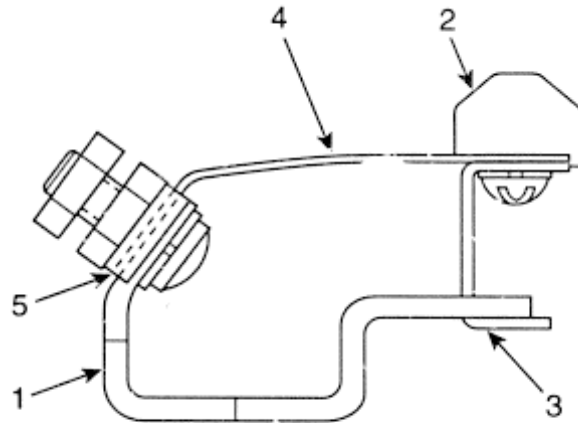
Page 17 - TYPE 6850DJ LIMIT SWITCH



**Parts for Type 6850DJ Limit Switch**

M.L. 6850DJ3 Up Direction (4SL) & Slow Down (2SL) Limits  
 M.L. 6850DJ4 Down Direction (3SL) & Slow Down (1SL) Limits

Ref. #	Part No.	Description
1	316CDE1	Bracket, Steel ML 6850DJ4, 4-3/16" long 3-1/2" wide mkd. 1SL 3 SL
1	316CDE2	Bracket, Steel ML 6850DJ3, 4-3/16" long 3-1/2" wide mkd. 2SL 4 SL
2	438GR1	Panel, Phenolic, 3-1/6" x 1-3/8" x 3/16" Slow Down at bottom mkd 1SL
2	438GR2	Panel, Phenolic, 3-1/6" x 1-3/8" x 3/16" Slow Down at bottom mkd 2SL
3	438GS1	Panel, Phenolic, 3-1/6" x 1-3/8" x 3/16" Down Direction at bottom mkd 3SL
3	438GS2	Panel, Phenolic, 3-1/6" x 1-3/8" x 3/16" Up Direction at top mkd 4SL
4	462FC1	Spacer, Phenolic, 7/16" OD, 5/16" long
5	6839B4	Switch, Brush Complete (see Page 9, Fig. 14)
6	130R1	Washer, Belleville Lock



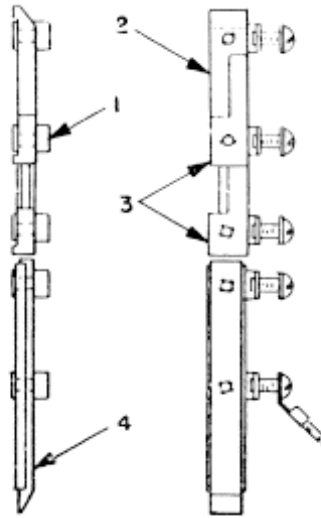
**Parts for Type 6839AA Brush**

M.L. 6839AA1

Ref. #	Part No.	Description
1	316CDK1	Bracket, Steel
2	156AT1	Contact, Silver Alloy, 1/4" wide, 7/16" long
3	179AV1	Holder
4	93CC1	Spring, Flat
5	130W3	Washer, Lock

C-1071 - Type 6850DK Selector w/Type 6850DN Relay Panel

Page 19 - 2166J CONTACT



**Parts for 2166J Contact**

Dwg. A6850BR

Ref. #	Part No.	Description
	2166J7	Cam "AS" long, consisting of:
1	-	2-Angle Pt. 283DA1
2	-	1-Cam, 1.562" long Phenolic Pt. 327GV1
3	-	1-Cam, 1.375" long Phenolic Pt. 327GT1
4	-	1-Contact, 3-7/8" long carbon Pt. A156AS3
	2166J8	Cam "AP" short, consisting of:
1	-	2-Angle Pt. 283DA1
2	-	1-Cam, .875" long Phenolic Pt. 327GV4
3	-	1-Cam, 1.187" long Phenolic Pt. 327GT2
4	-	1-Contact, 3-7/8" long carbon Pt. A156AS3
	2166J9	Cam "C" short, Phenolic consisting of:
1	-	2-Angle Pt. 283DA1
2	-	1-Cam, .875" long Phenolic Pt. 327GV4
3	-	1-Cam, .687" long Phenolic Pt. 327GT3
4	-	1-Contact, 3-7/8" long carbon Pt. A156AS3
	2166J11	Cam "E" long, consisting of:
1	-	3-Angle Pt. 283DA1
2	-	1-Cam, 1.375" long Phenolic Pt. 327GV2
3	-	1-Cam, 1.187" long Phenolic Pt. 327GT2
4	-	1-Contact, 3-7/8" long carbon Pt. A156AS3