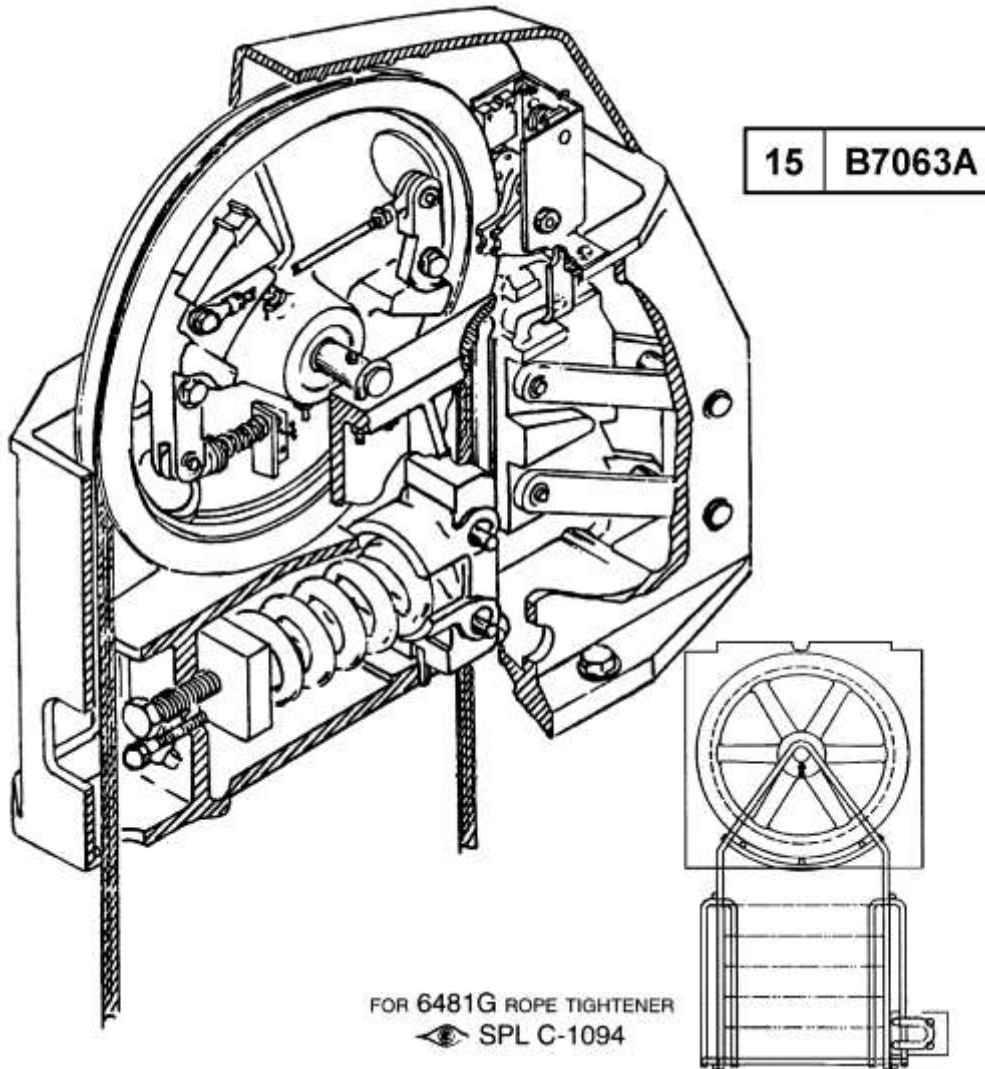


Type A7063A & B7063A Governor

Spare Parts Leaflet C-1066A

February 23, 2022 / Page 1 of 13



Flat 7063A was used from 1960 through January 1964 (SPL C-1037)
A7063A was used from 1964 through March 1967
B7063A was used from April 1967 through production end 2000
B7063A was returned to NSAA via a tech. Transfer in 2016

OTIS

This document does not contain any
technical data subject to EAR or ITAR

SERVICE ENGINEERING
Otis Elevator Company
Bloomfield, Connecticut USA

Unpublished Work—© Otis Elevator Co.; 2022

Leaflet Description

Flat 7063A was used from 1960 through January 1964 (see SPL C-1037). A7063A was used from 1964 through March 1967. B7063A was used from April 1967 through production end 2000. B7063A was made available to the ASME A17.1 jurisdictions through a technology transfer in 2016. This governor was a non-rotating shaft and does not support the installation of an encoder. There are no remote trip or reset features available. The rope is 3/8 in. diameter 8x19 traction steel AAA712W3. Arrangements 21–44 have a slot that permits the governor to be mounted on the governor deflector stand AAA20602E2.

Leaflet Revisions

Date Revised	Subject Matter Expert	Reason for Revision
December 1982	- - -	New Leaflet
April 1998	Duane Stupienski	Update parts, add history page
April 15, 2002	Duane Stupienski	Removed callouts for complete governors and pointed reader to use complete governors as specified in SPL 15-TBA20602C.
June 22, 2005	Sean Mismas	Added parts information on the history page, corrected date range for 398AR2.
March 30, 2006	Sean Mismas	Renumbered References on Page 11.
May 4, 2016	Gary Mendrala	Added arrangements 1–20; Updated document template
July 27, 2016	Gary Mendrala	Corrected Contract Speed List on p. 13
April 3, 2019	Gary Mendrala	Added arrangements B7063A21 through 44
February 23, 2022	Duane Stupienski	Corrected document title

Related Drawings

Drawing No	Title	Drawing No.	Title
A7063A	Arrangement and Assembly: 7063A Governor 12" Sheave	A7063B	Tripper Assembly
B7063A	Assembly and Arrangement: 7063A Governor 12" Dia. Sheave	JAA20601AAA	B7063A Governor
AAA20602E	Governor Deflector Stand		

(Continued on next page)

History (Continued)

C-1066A

Related Documents

Document ID	Title
SPL C-1021B	Push Button Unit 7035A & 6526G
SPL C-1094	Type 6481G and 6481P Governor Rope Tightener
SPL 15-TBA20602C	Governor Rope Grip System
TIP 9.2.0-3	Type 7063 Governor Factory Adjustment
TIP 9.2.0-5	Stop Bumpers on 7063A, E, and F Governors
15-AAA20602B	Governor Deflector Stand

Subject Matter Expert

Name	Department
Gary Mendrala	OSC Service Engineering

About Spare Parts Leaflets...

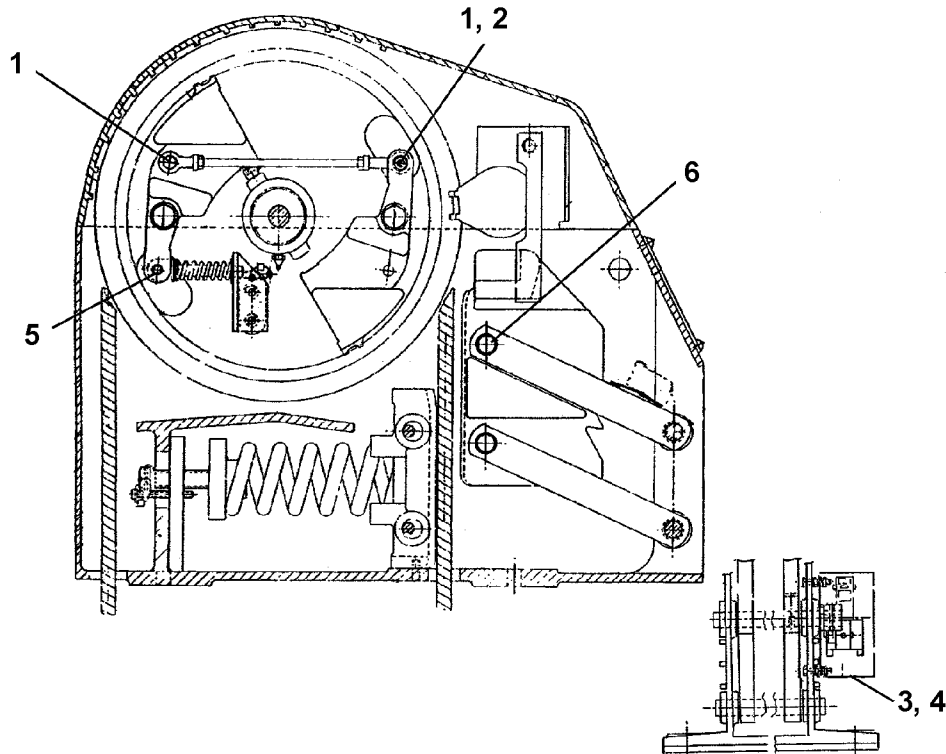
This document lists the lowest replaceable units (LRUs) for the standard version of the product. The LRUs are chosen by a team of Otis associates representing engineering and manufacturing.

While goal of this document is to make parts identification as easy as possible, the document cannot be all-inclusive. Elevator and escalator contracts classified as "special" or "custom" are not addressed here. For such contracts, please refer to specified information, the contract folder, TIPs, Field Education Articles, Construction Letters, etc. for further information.

If you have any suggestions about this document, please contact the subject matter expert listed on this page.

C-1066A

Parts for Type A7063A & B7063A Governors

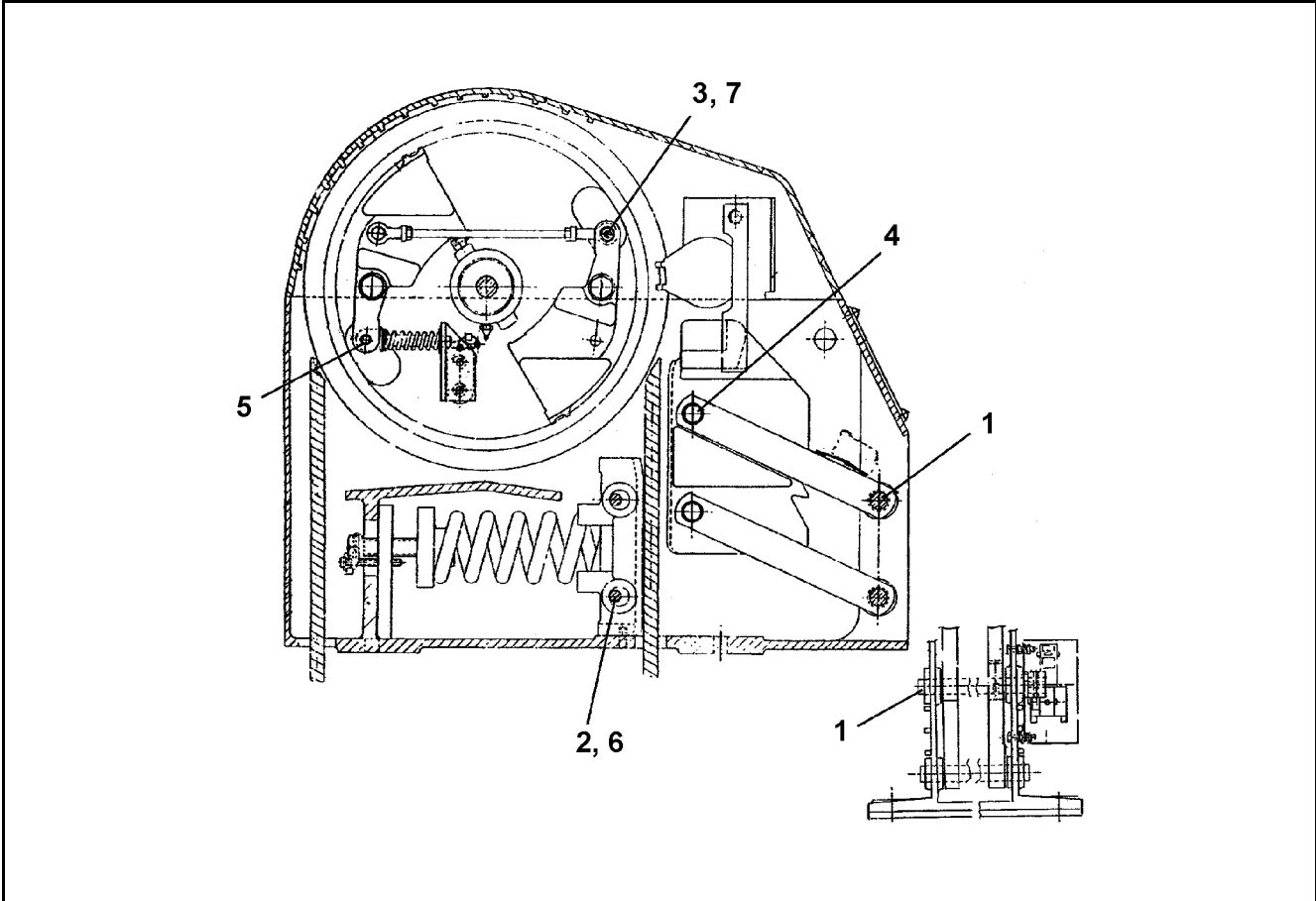


	W/O VINTAGE	B7063A	
REF. No.	PART No.		DESCRIPTION
1	212AA1	JX212AA2	Bearing, Rod End, 1/4 in. \odot , 1/4 in. 28 Thread
2	335H39		Bushing, 1/4 in. \odot , 3/8 in. \odot , 1/4 in. Long
3	FO174SR8		Cable, CEN (not shown)
4	KO177AA4		Jaw Switch, (CEN applications only)
5	77JP5		Pin, 3/8 in. \emptyset , 1-1/4 in. Long
6	77JP9		Pin, 5/8 in. \emptyset , 2-25/64 in. Long

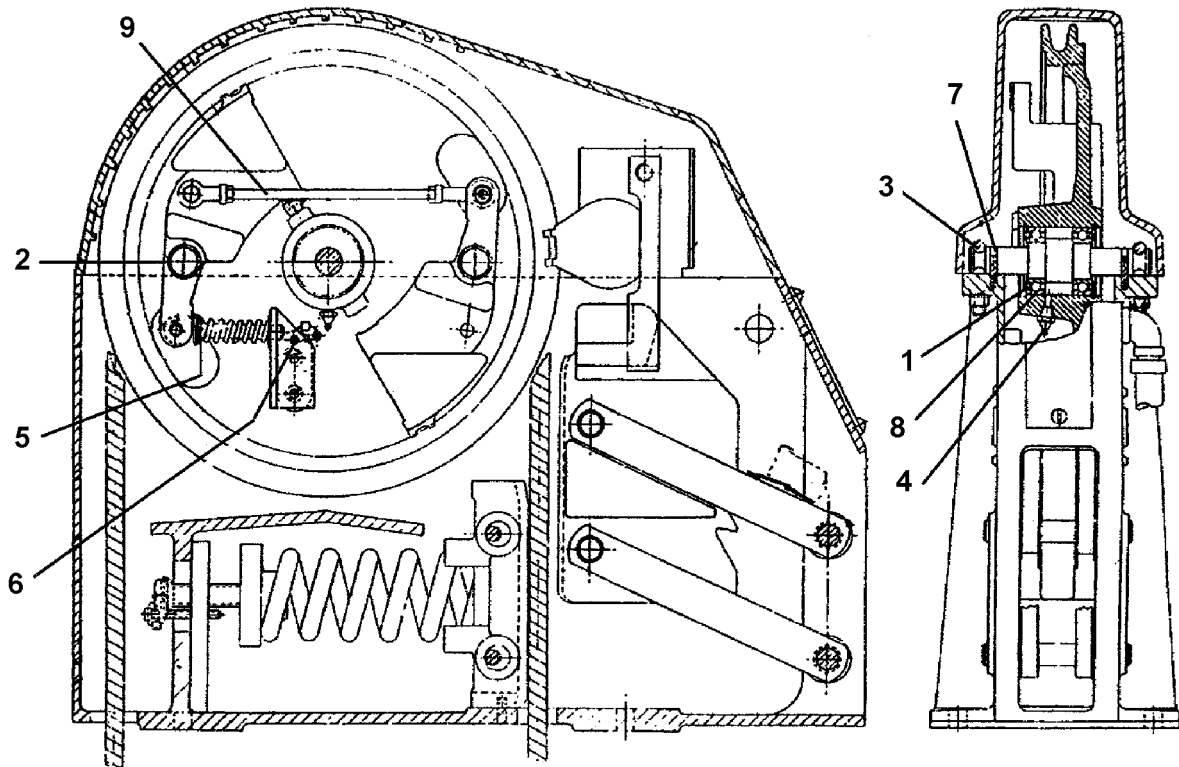
(Continued on next page)

Parts for Type A7063A & B7063A Governors

C-1066A



W/O VINTAGE		
REF. No.	PART No.	DESCRIPTION
1	77JP10	Pin, 5/8 in. \varnothing , 4-1/4 in. Long
	77JP29	Pin, 5/8 in. \varnothing , 3-7/8 in. Long
	AAA81JV1	Pin (upper location in stand only; for CEN applications only)
2	77JP12	Pin, 7/16 in. \varnothing , 4-9/32 in. Long
3	77JP14	Pin, 1/4 in. \varnothing , 1-11/32 in. Long
4	172DE9	Ring, Retaining, 0.579 in. \varnothing
5	172DE20	Ring, Retaining, 0.338 in. \varnothing
6	172DE23	Ring, Retaining 0.395 in. \varnothing
7	172DE25	Ring, Retaining, 0.225 in. \varnothing

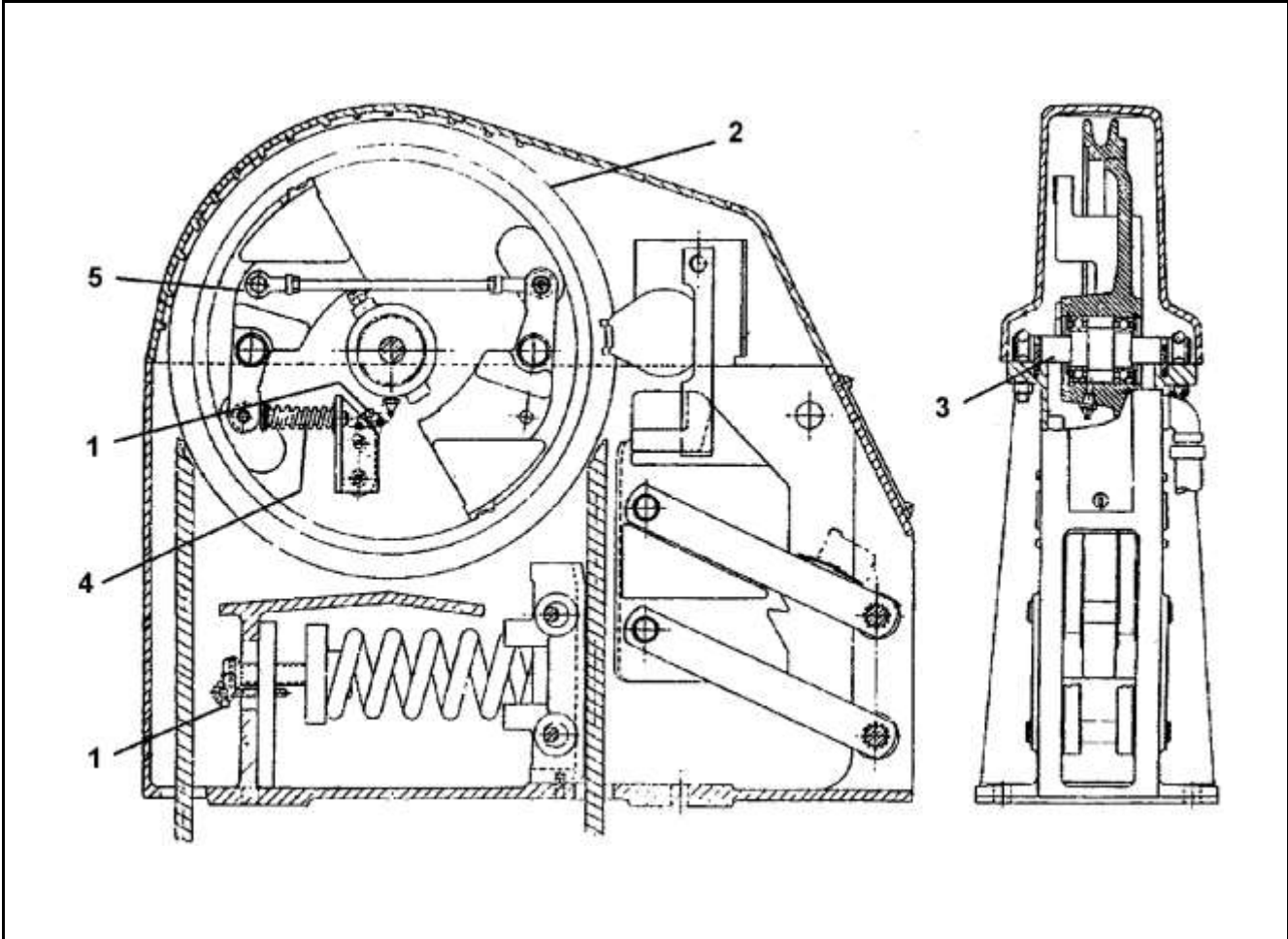
C-1066A**Parts for Type A7063A &
B7063A Governors**

	W/O VINTAGE	B7063A	
REF. No.	PART No.		DESCRIPTION
1	207Z49	JX207Z500 JX207Z511	Bearing, Ball, 63/64 in. \varnothing , 1-55/64 in. \varnothing
2	59BL2		Bolt, Shouldered, 1/2 in. \varnothing , 3/8 in., 16-Thread, 2-1/2 in. Long
3	65C15		Bolt U, 3/8 in. \varnothing , 5/16 in., 18 Thread Ends
4	435C1		Fitting, Alemite, 1/8 P.T.F
5	79BP1		Pin, 3-1/4 in. Long with 3/8 in. \varnothing Hole, Plastic
6	81AX1		Pin, Spring, 3/16 in. \varnothing , 3/4 in. Long
7	81AX3		Pin, Spring, 3/16 in. \varnothing , 1 in. Long
8	172CY16		Ring, Retaining, 2 in. \varnothing , w/Beveled Edge
9	96H199	JX96H230	Rod, Threaded

(Continued on next page)

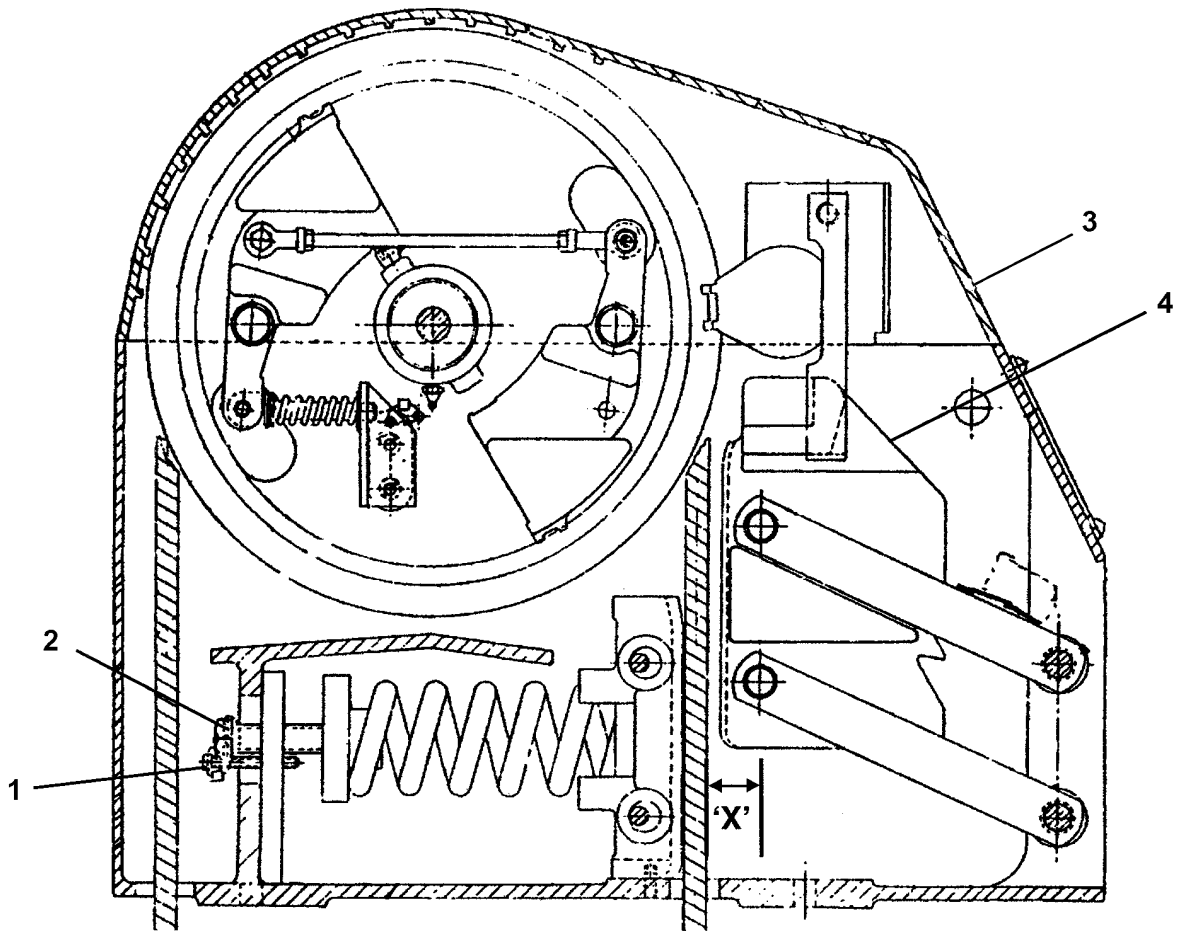
Parts for Type A7063A & B7063A Governors


C-1066A



W/O VINTAGE		
REF. No.	PART No.	DESCRIPTION
1	102FG1	Seal
2	A267H1	Sheave, 12 in. \varnothing
3	A495CE1	Shaft, 5-1/8 in. Long
4	90JB19	Spring, Car Speed = 150 FPM
	90KB15	Spring, Car Speed = 200 FPM
	90MB23	Spring, Car Speed = 250 FPM
	90PB4	Spring, Car Speed = 300 FPM
	90SB19	Spring, Car Speed = 350 FPM
	90TB6	Spring, Car Speed = 400 FPM (also used on counterweight governor at 350 FPM car contract speed)
5	A344AR2	Weight, w/Bushing 335AB2

**Parts for Type A7063A &
B7063A Governors**

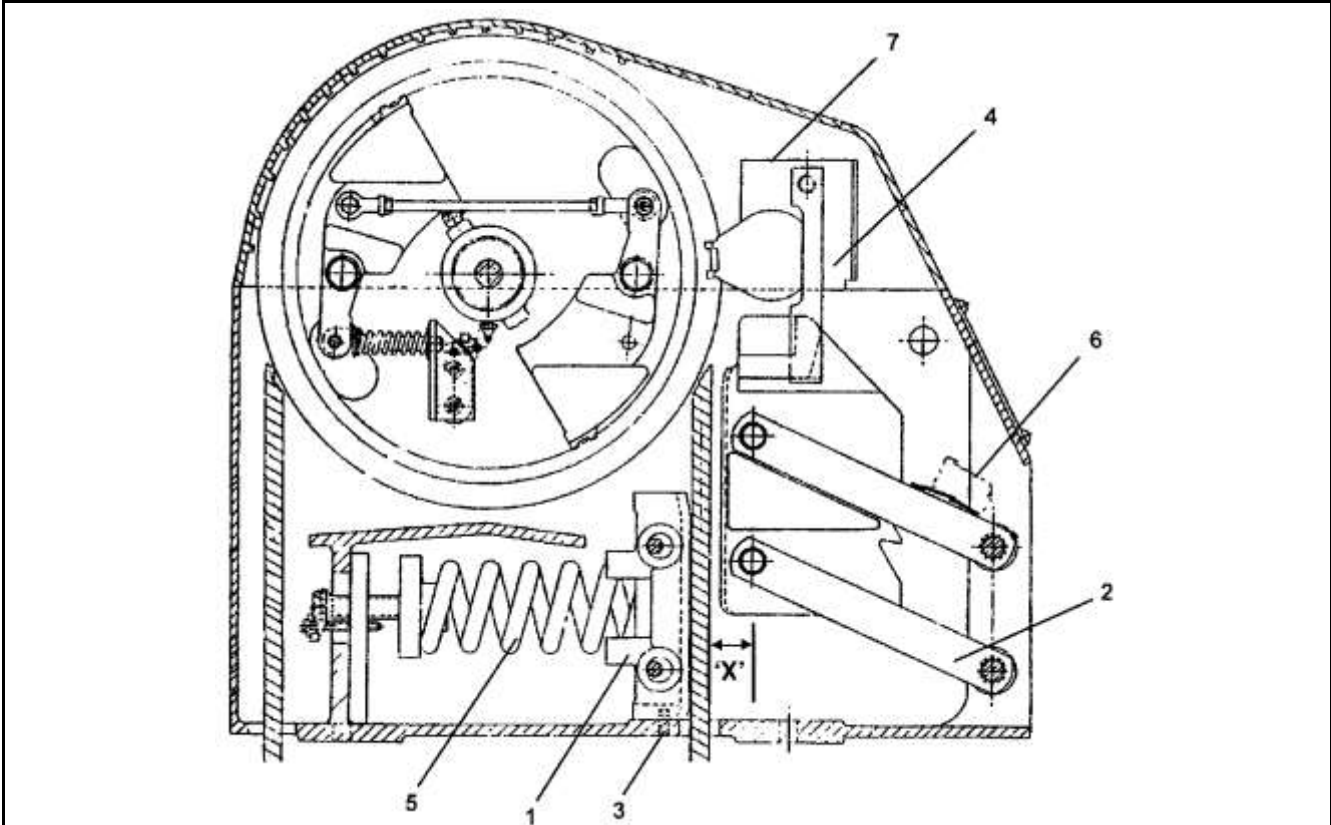


		W/O VINTAGE
REF. No.	PART No.	DESCRIPTION
1	58AD57	Bolt, 1/4 in.-20 x 2-1/2 in. Long (w/hole in head)
	58AD70	Bolt, 1/4 in.-20 x 2 in. Long (w/hole in head)
2	58AD60	Bolt, 5/8 in.-11 x 2-1/2 in. Long (w/hole in head)
	58AD61	Bolt, 5/8 in.-11 x 3 in. Long (w/hole in head)
3	346AFS1	Cover, Aluminum
4	398AJ4	Jaw (obsolete, superseded by 398AR2), 'X' = 2-3/8 in. (see SS-33-69)
	398AR1	Jaw, Movable (used only with 8-5/8 in. links:  Ref. 2, page 9), 'X' = 7/8 in.
	398AR2	Jaw and Four Links (retrofit kit for A7063A governors circa 1964–1967), 'X' = 7/8 in.

(Continued on next page)

Parts for Type A7063A & B7063A Governors

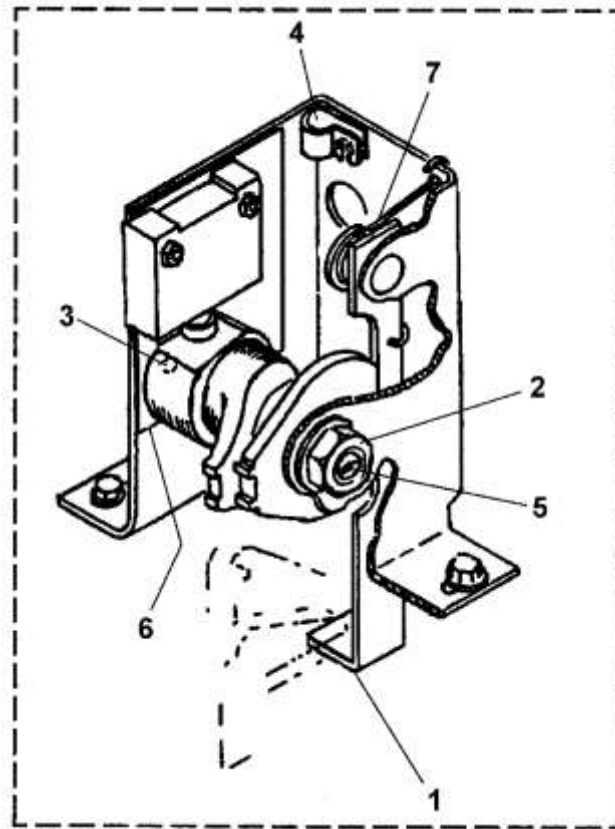
C-1066A



	W/O VINTAGE	
REF. No.	PART No.	DESCRIPTION
1	A398AD1	Jaw, Stationary
2	430DH1*	Link, 7-1/8 in. Long, 1-1/8 in. Wide, 1/2 in Thick
	430TA53	Link, 8-5/8 in. Long, 1 in. Wide, 1/2 in. Thick
3	81AX19	Pin, Spring, 1/4 in. \varnothing , 3/4 in. Long
4	81AX35**	Pin, Spring, 3/16 in. \varnothing , 3/8 in. Long (used for tripper assembly)
5	90HD12	Spring, Compression, 1-3/8 in. \odot , 6-5/8 in. Long, 7-12 in. Active Turns
6	177AR1	Switch, Counterweight Governor Jaw
7	A7063B	Tripper Assembly, p. 11 for standard, p. 12 for B44)

* The link is used in conjunction with jaw p/n 398AJ1 (no longer available) in type A7063A governor. Check the integrity of the existing jaw prior to replacing 430DH links. Order alternated jaw kit p/n 398AR2 if necessary (see SS-33-69).

** Arrow indicates location, part itself is not shown.



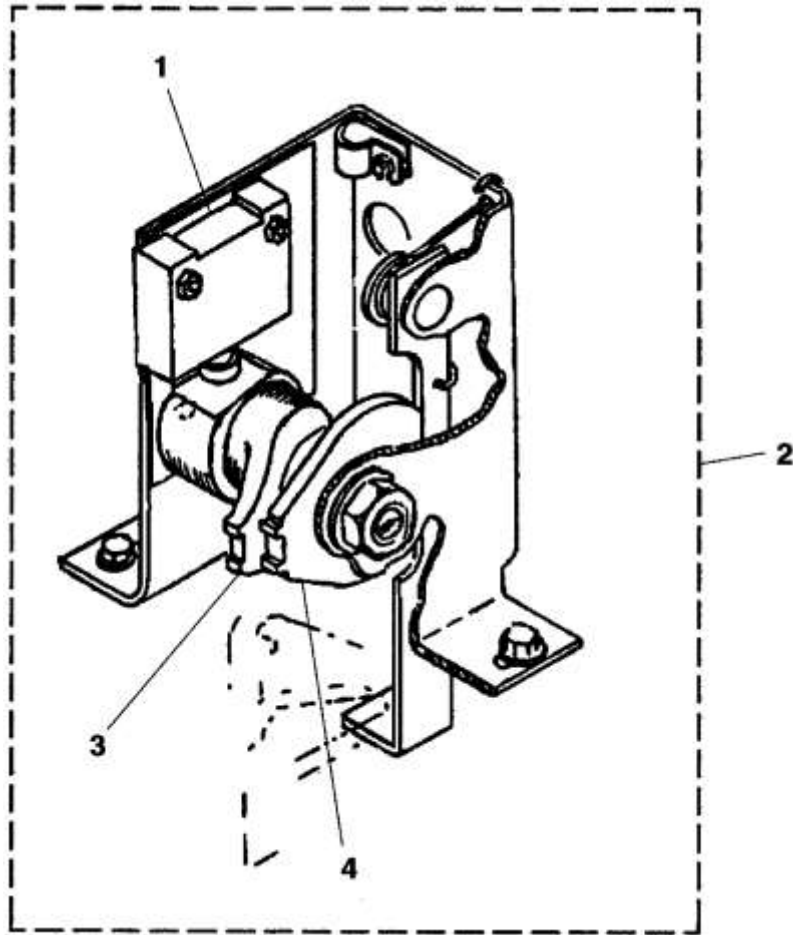
W/O VINTAGE		
REF. No.	PART No.	DESCRIPTION
1	283CN2	Angle, Formed, 5-3/4 in. Long with 7/8 in. Leg
2	321DD1	Bushing, 0.441 in. \varnothing , 3/4 in.-10 Thread
3*	331AS1	Catch, Friction, 1/4 in. \varnothing , 5/16 in. Long
4*	336CZ1	Clamp, 3/8 in. \varnothing
5*	77VH1	Pin, Shouldered, 1/4 in.-20 Thread
6	278BL1	Shield, 2-1/2 in. Long, 1-5/8 in. Wide, 1/32 in. Thick, Fiber
7*	92AJ1	Spring, Torsion, 11/16 in. \varnothing


* Parts not used in tripper assembly A7063B3 or B6.

(Continued on next page)

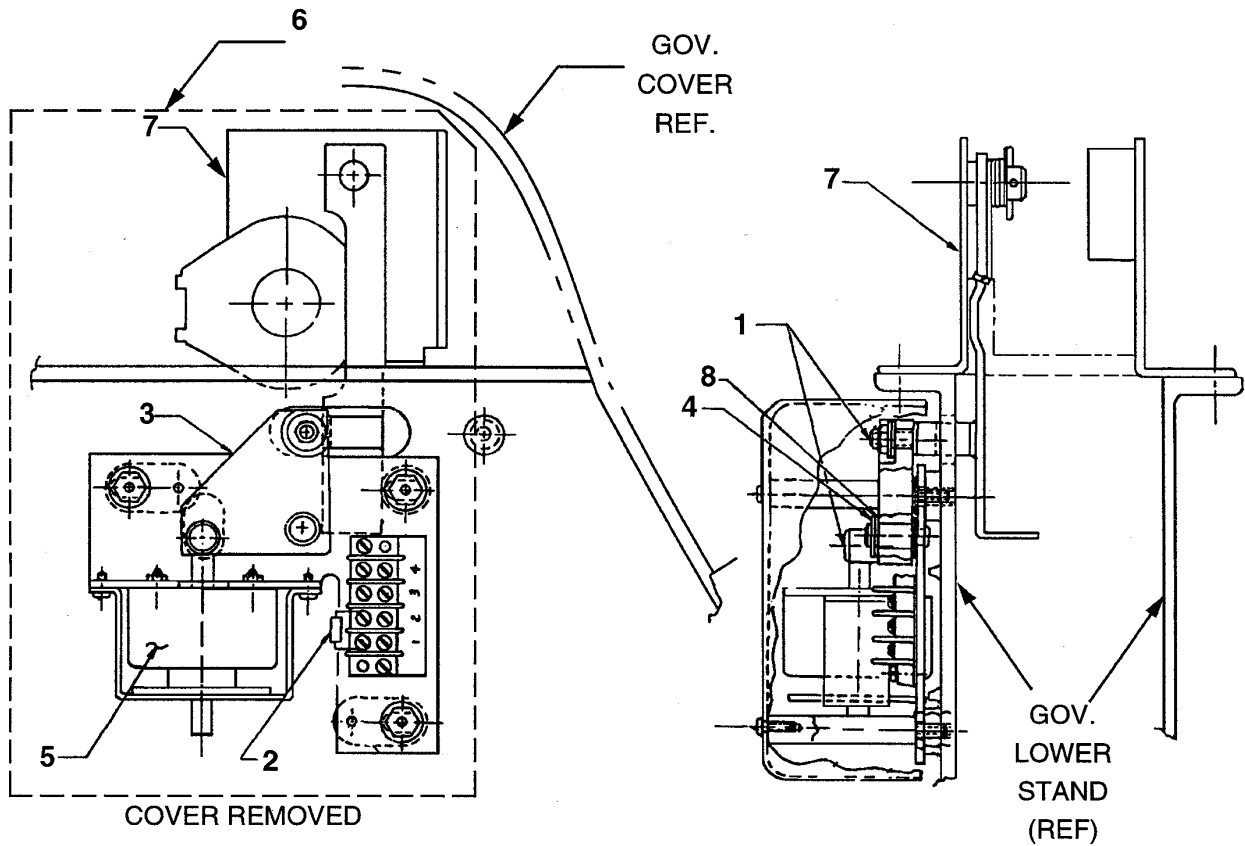
Type A7063B Tripper Assembly

C-1066A



W/O VINTAGE		
REF. No.	PART No.	DESCRIPTION
1	7035A116*	Switch, Single Breaking,  SPL C-1021
2	A7063B1	Tripper Assembly, Standard, with Switch (over 150 FPM car speed, all counterweight speeds)
	A7063B3	Tripper Assembly, Standard, without Switch (only 150 FPM car speed)
	A7063B5	Tripper Assembly, B44 Code, with Switch (over 150 FPM car speed, all counterweight speeds)
	A7063B6	Tripper, Assembly, B44 Code, without Switch (only 150 FPM car speed)
3*	446AH1	Tripper, 3/8 in. Hole
4	446AF1	Tripper, 15/16 in. Hole

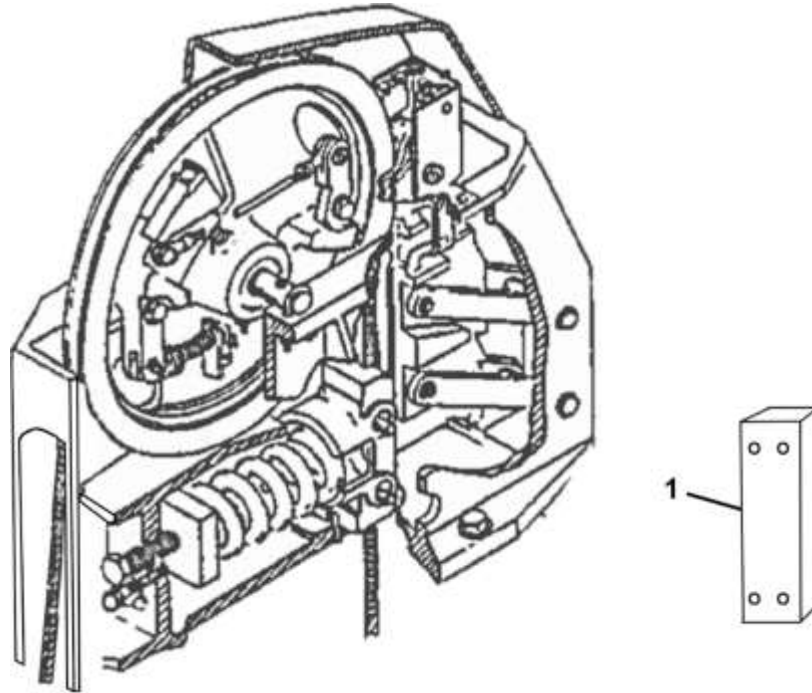
* Parts not used in tripper assembly A7063B3 or B6.



W/O VINTAGE		
REF. No.	PART No.	DESCRIPTION
1	207BM1	Cam Roller
2	AAA612AK1	Diode
3	AAA288XM1	Lever
4	172DE20	Snap Ring
5	AAA656A2	Solenoid
6	AAA7063AE1	Tripper, w/Switch w/Solenoid Kit, B44 Code (over 150 FPM car speed, all counterweight speeds)
	AAA7063AE2	Tripper, w/o Switch w/Solenoid Kit, B44 Code (only 150 FPM car speed)
7	A7063B5	Tripper Assembly, w/Switch
	A7063B6	Tripper Assembly, w/o Switch
8	128AF20	Washer

Complete B7063A Governors

C-1066A



W/O VINTAGE		
REF. No.	PART No.	DESCRIPTION
1	JAA346DGD1	Rope Guard

W/O VINTAGE			
CONTRACT SPEED FPM	PART NUMBER	DESCRIPTION	PULL THROUGH FORCE (lb.)
≤125	B7063A21	Car Governor	823
≤125	B7063A22	Car Governor	299
150	B7063A1 B7063A23	Car Governor	823
150	B7063A2 B7063A24	Car Governor	299
200	B7063A3 B7063A25	Car Governor	823
200	B7063A4 B7063A26	Car Governor	299
250	B7063A5 B7063A27	Car Governor	823
250	B7063A6 B7063A28	Car Governor	299
300	B7063A7 B7063A29	Car Governor	823
300	B7063A8 B7063A30	Car Governor	299
350	B7063A9 B7063A31	Car Governor	823
350	B7063A10 B7063A32	Car Governor	299
≤125	B7063A33	Counterweight Governor	823
≤125	B7063A34	Counterweight Governor	299
150	B7063A11 B7063A35	Counterweight Governor	823
150	B7063A12 B7063A36	Counterweight Governor	299
200	B7063A13 B7063A37	Counterweight Governor	823
200	B7063A14 B7063A38	Counterweight Governor	299
250	B7063A15 B7063A39	Counterweight Governor	823
250	B7063A16 B7063A40	Counterweight Governor	299
300	B7063A17 B7063A41	Counterweight Governor	823
300	B7063A18 B7063A42	Counterweight Governor	299
350	B7063A19 B7063A43	Counterweight Governor	823
350	B7063A20 B7063A44	Counterweight Governor	299

NOTE: Arrangements 21-44 have a slot in the base that permits mounting the governor on the deflector stand p/n AAA20602E2.