

C-1053 - HP 2000 Plunger Electric Elevator

March 1997

Page 1 - HP 2000 Plunger Electric Elevator

Form No. HP 2000 1A, 2A, 3A, 4A

For Type A7300A Door Operator and 7300E Door Link, see Parts Leaflet C-1039

For Type 6098E Switch, see Parts Leaflet C-919G

For Hoistway Interlock, Door Closer and Emer. Key, see Parts Leaflet C-1009

For Type 6410E Key Switch, see Parts Leaflet C-1031.

For Type 7014A Push Pull Switch, see Parts Leaflet C-1024.

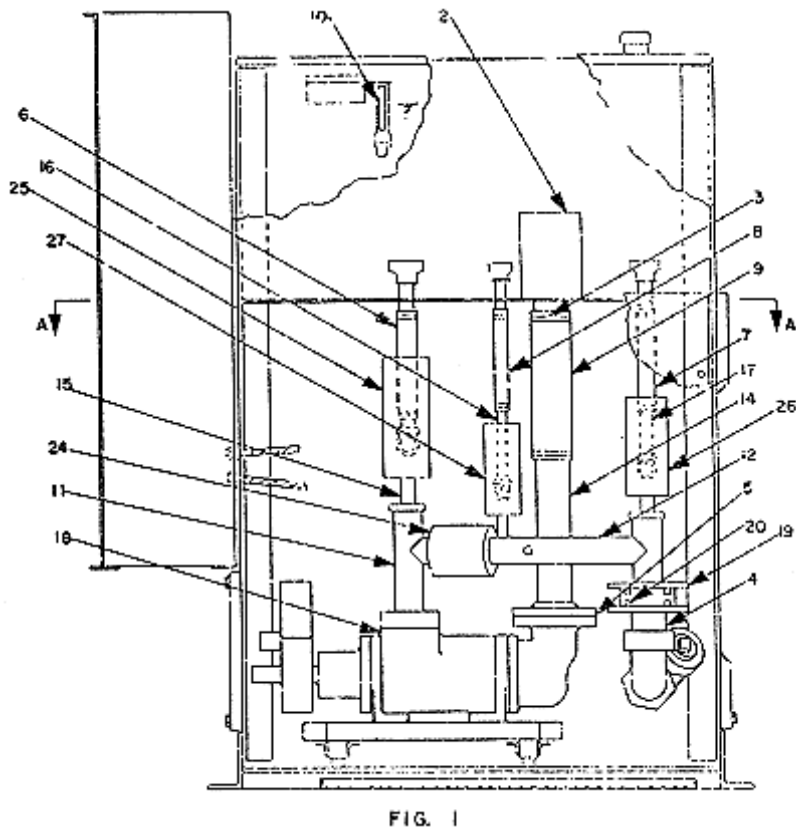
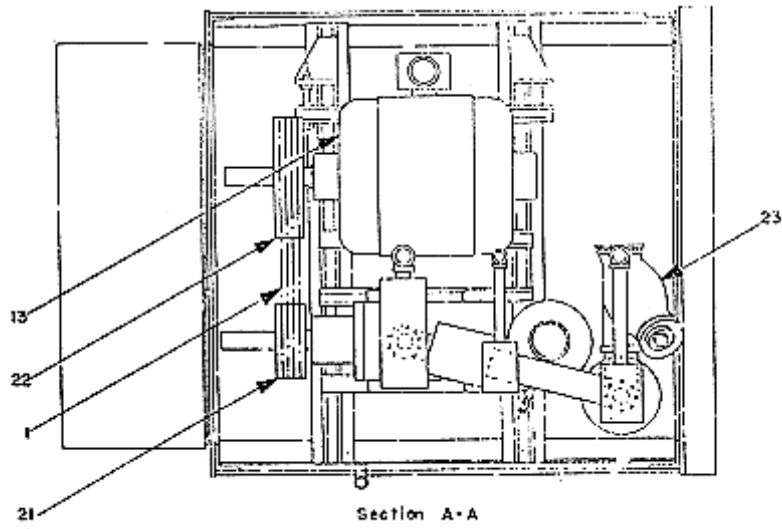
For Type 7035A Button Unit, see Parts Leaflet C-1021.

For Type 6600A Hall Button Fixture, see Parts Leaflet C-1033.

For Type 6261P Roller Guides (3-3/4" dia.), see Parts Leaflet C-1047.

C-1053 - HP 2000 Plunger Electric Elevator

Page 2



C-1053 - HP 2000 Plunger Electric Elevator

Page 3

PARTS FOR 13BA HYDRAULIC MACHINE - FIG. 1
ML 2242A27, 2242A28, 2242A29

Ref. No.	Part No.	Quantity	Description
1	-	4	Belt, Ultra-V
2	254D1	1	Bonnet, Oil Filter
3	336DY1	8	Clamp, Hose
	2-6926AE2	1	Clamp, Hose <i>Not illustrated, stored on pipe when not in use.</i>
	2-6926AE3	3	Clamp, Hose <i>Not illustrated, stored on pipe when not in use.</i>
4	4-441AJ1	1	Fitting, Isoline
5	376H7	1	Gasket, Rubber, 7" OD, 2-7/8" ID, 1/16" thick
6	3-134A1	1	Hose, 1-1/4" ID, 10" long (for Tank to Valve)
7	3-134A2	1	Hose, 1" ID, 9" long (for Tank to Valve)
8	3-134A3	1	Hose, 3/4" ID, 10" long (for Tank to Valve)
9	3-134A4	1	Hose, 2-3/4" ID, 13" long (for Tank to Pump)
10	269AW1	1	Indicator, Oil
11	5-441AJ1	1	Manifold, Vertical Discharge
12	6-441AJ1	1	Manifold, Horizontal Discharge
13	6333AW1	1	Motor, 25 BHP, 1800 RPM, 208 volts
13	6333AW2	1	Motor, 25 BHP, 1800 RPM, 220/440 volts
13	6333AW3	1	Motor, 25 BHP, 1800 RPM, 550 volts
14	6-441AH4	1	Pipe, Half Nipple, 2-1/2" std., 15" long (for Hose #3-134A4)
15	6-441AH5	1	Pipe, Half Nipple, 1" std., 3" long (for Hose #3-134A1)
16	6-441AH6	1	Pipe, Half Nipple, 1/2" std., 8" long (for Hose #3-134A3)
17	441AH14	1	Pipe, Half Nipple, 3/4" std., 6" long (for Hose #3-134A2)
18	6926AM2	1	Pump (DeLaval Type IMO-3DB-218)
19	1-172LL1	1	Ring, Isoline Clamp
20	2-182R1	2	Ring, Isoline Packing
21	-	1	Sheave, Ultra-V (3V-6.5-4) with Bushing
22	-	1	Sheave, Ultra-V (3V-10.6-4) with Bushing
23	-	1	Strainer, Pipeline
24	271W3	1	Valve, Check, EECO 3000
25	271AA4	1	Valve, Up, EECO UV-3
26	1-271T8	1	Valve, Down, EECO DL-2
27	1-271T2	1	Valve, Down Leveling, EECO DL-2

C-1053 - HP 2000 Plunger Electric Elevator

Page 4

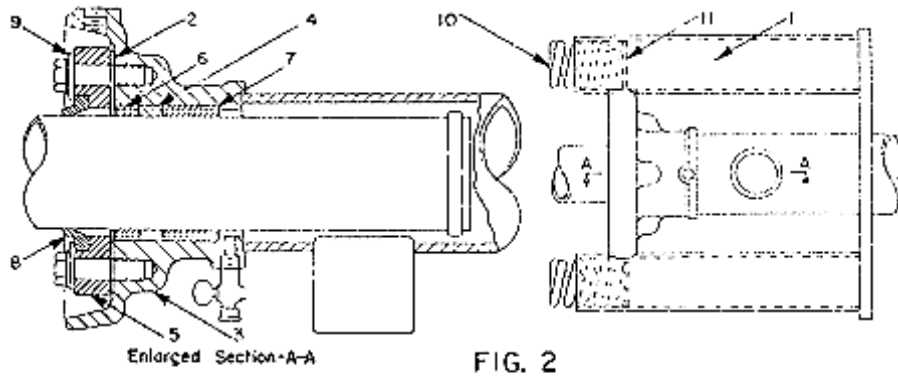


FIG. 2
CYLINDER HEAD, PACKING AND BUFFER DATA - FIG. 2
6" Cylinder with 4-1/2" Plunger M.L. 2242A26; M.L. 2323C37

Ref. No.	Part No.	Quantity	Description
1	310C12	2	Block, wood
2	376NG2	1	Gasket, 5-1/8" ID, 9-1/8" OD, .015" thick, Plastic
3	A390AN1	1	Head, Cylinder
-	441AM3 For details, see Fig. 3	1	Muffler
4	182R2	1	Ring, Disogrin Packing
5	172LL2	1	Ring, Clamp
6	172KN2	1	Ring, Spacer
7	172KP2	1	Ring, Wear
8	172LG2	1	Ring, Wiper
9	172LK2	1	Ring, Wiper Clamp
10	90ND5	2	Spring, compression, 3-5/8" OD, 18-1/2" long
11	127VD14	2	Washer, 1-1/4" ID, 3-3/4" OD, 1/4" thick, steel

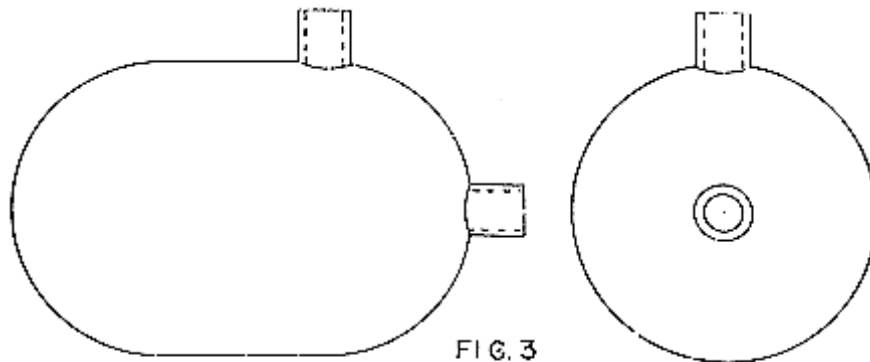


FIG. 3
MUFFLER - COMPLETE PART NO. 441AM3 - FIG. 3
12-5/8" O.D., 17" long, with Coupl Lug

C-1053 - HP 2000 Plunger Electric Elevator

Page 5

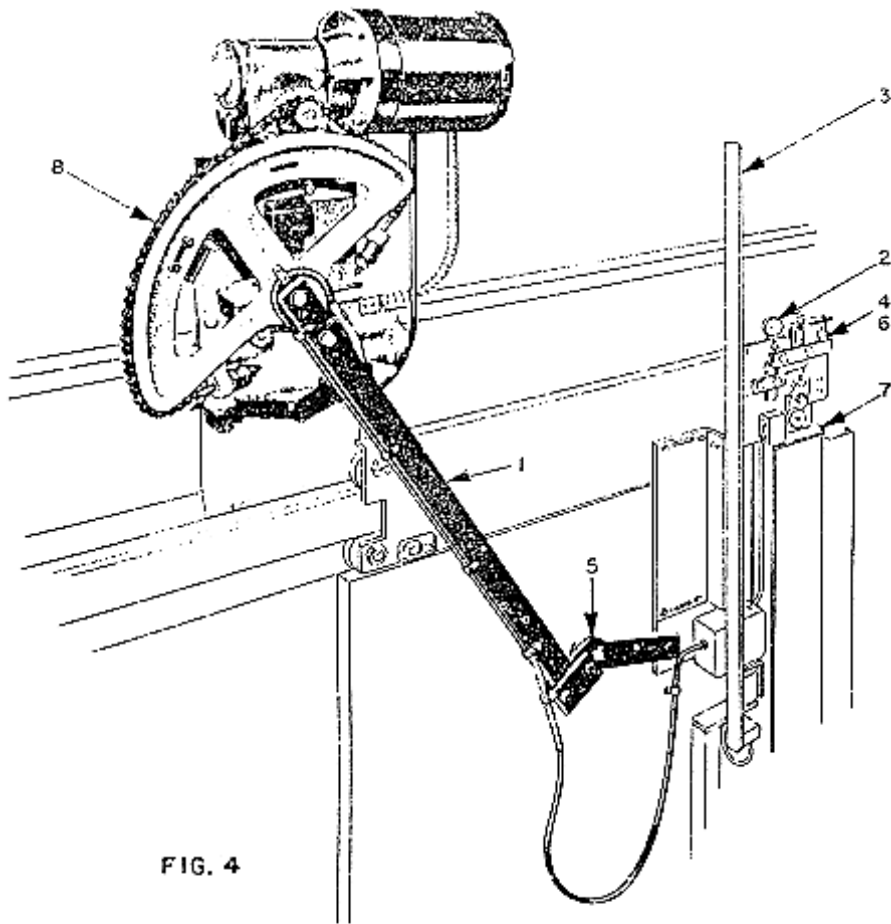
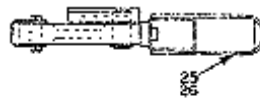


FIG. 4

TYPE 7300A DOOR OPERATOR AND TYPE 6993D SAFETY SHOE - FIG. 4

M.L. 2242A53 R.H. M.L. 2242A54 L.H.

Ref. No.	Part or ML No.	Quantity	Description
1	288KL10	1	Arm, Operator, 36" long
2	B288KM1	1	Arm, Roller (Door Contact for 6098E Switch)
3	327C7	1	Cam, Stationary
4	7300P1	1	Device, Holding (for details, see Fig. 8, Page 8)
5	7300E2 For details, see Parts Leaflet C-1039.	1	Link, Door, complete
6	7300J1	1	Lever, Catch, L.H. (for details, see Fig. 8, Page 8)
6	7300J2	1	Lever, Catch, R.H. (for details, see Fig. 8, Page 8)
7	6993D3	1	Shoe, Safety, R.H. (for details, see Fig. 5, Page 6)
7	6993D4	1	Shoe, Safety, L.H. (for details, see Fig. 5, Page 6)
-	6098E5 Not illustrated, see Parts Leaflet C-919G.	1	Switch, L.H.
-	6098E6 Not illustrated, see Parts Leaflet C-919G.	1	Switch, R.H.
8	A7300A1 For details, see Parts Leaflet C-1039.	1	Unit, Drive, Arr. 1, L.H. - Arr.2, R.H.



Enlarged View Section A-A

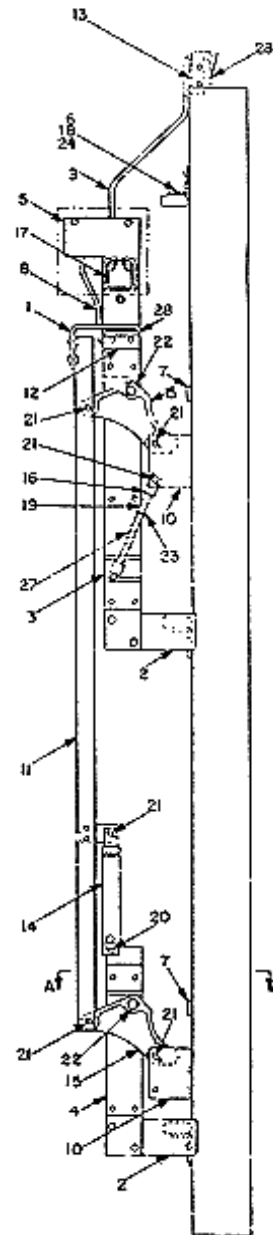


FIG. 3

C-1053 - HP 2000 Plunger Electric Elevator

PARTS FOR 6993D SAFETY SHOE - FIG. 5
ML 6993 R.H. ML 6993D4 L.H.

Ref. No.	Part No.	Quantity	Description
1	283FW1	1	Angle
2	298KC1	2	Bar
3	306JE3	1	Base, Upper, R.H. complete with Pins, Ring and Washer
3	306JE4	1	Base, Upper, L.H. complete with Pins, Ring and Washer
4	306JF3	1	Base, Lower, R.H. complete with Pin
4	306JF4	1	Base, Lower, L.H. complete with Pin
5	6993G1	1	Box, Junction, R.H. complete
5	6993G2	1	Box, Junction, L.H. complete
6	316CBW2	3	Bracket, complete with Roller, Pin and Ring
7	320BF2	2	Bumper, Rubber
8	174AX1	1	Cable, 10" long with Terminals
9	174AX2	1	Cable, 20-1/2" long with Terminals
10	347CD1	2	Channel
11	347CE2	1	Channel, complete with Block and Bars
12	278AR2	1	Cover, Switch
13	278AR3	1	Cover, Switch
14	6168F1	1	Dashpot, complete
15	307AJ1	2	Lever, Bell Crank
16	432T1	1	Lug
17	6993H1	1	Magnet, R.H., complete
17	6993H2	1	Magnet, L.H., complete
18	77KC4	3	Pin, Roller (used with Bracket #316CBW2)
19	81BX1	1	Pin, 5/16" dia., 5-3/4" long (for Spring)
20	92A61	1	Pin, 1/4" dia., 1-7/32" long (for Dashpot)
21	92A62	6	Pin, 5/16" dia., 1-1/16" long (for Dashpot, Lever and Lug)
22	172DE11	2	Ring, Retaining (for Lever)
23	172DR6	1	Ring, Retaining (for Spring)
24	A456R2	3	Roller, Rubber, 1-7/16" OD (used with Bracket #316CBW2)
25	470AJ1	1	Shoe, Soft
26	6993F1	1	Shoe, Safety, complete with Bracket, Bumpers, Channel, Lug, Pin and Shoe
27	90HB11	1	Spring, compression, 3/8" ID, 4-1/4" long
28	177AL1	2	Switch, single pole double throw.

C-1053 - HP 2000 Plunger Electric Elevator

Page 7

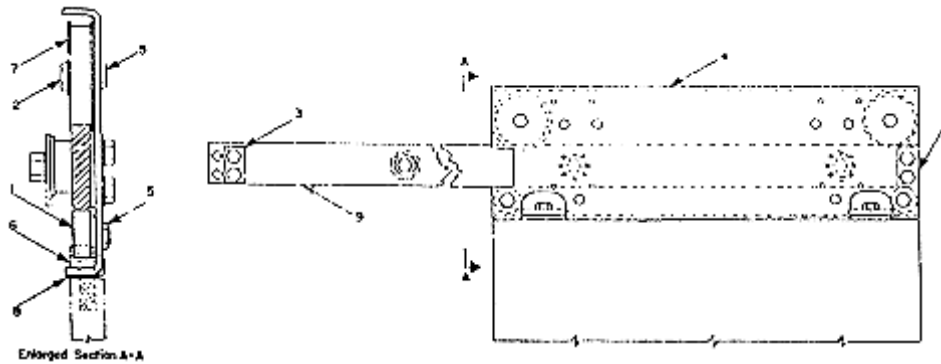


FIG. 6

PARTS FOR TYPE 6331AM "AU" CAR DOOR HANGER - FIG. 6
 For Single Slide Doors M.L. 2242A35 R.H., M.L. 2242A56 L.H.

Ref. No.	Part No.	Quantity	Description
1	207Z4	2	Bearing, Roller, with Pin
2	65CA2	2	Bolt, 1/2" dia., 1-9/64" long
3	320AB4	2	Bumper, Rubber, with Spacer
4	6331A20	1	Hanger, complete with Bearings, Bolts, Nuts and Rollers
5	72AF2	2	Nut, 1/2" Hex.
6	386ALJ1	2	Plate, Reinforcing
7	A456W1	2	Roller, Hanger, Rubber tired
8	A255BC11	4	Shim
9	1-A483KY1	1	Track, Hanger, R.H.
9	1-A483KY2	1	Track, Hanger, L.H.

C-1053 - HP 2000 Plunger Electric Elevator

HOISTWAY INTERLOCK AND DOOR CLOSER - FIG. 7
ML 2242A94 to 101

Ref. No.	Part or MLNo.	Quantity	Description
-	6471A2	1	Box, Emergency Key
-	321CV1	<i>Quantity is variable depending on number of floors.</i>	Bushing, for Key
-	6940AD2	<i>Quantity is variable depending on number of floors.</i>	Closer, Weight, complete
-	194AD3	1	Key, Emergency
-	288LS1	<i>Quantity is variable depending on number of floors.</i>	Lever (used with Key)
-	B6940C3	<i>Quantity is variable depending on number of floors.</i>	Lock, Hoistway Door, complete, R.H.
-	B6940C4	<i>Quantity is variable depending on number of floors.</i>	Lock, Hoistway Door, complete, L.H.
-	72DJ2	<i>Quantity is variable depending on number of floors.</i>	Nut, Grip
-	2119H7	<i>Quantity is variable depending on number of floors.</i>	Parts, Mounting (for 6940A Interlock)
-	2235B6	<i>Quantity is variable depending on number of floors.</i>	Parts, Mounting (for Weight Closer)
-	172DN4	<i>Quantity is variable depending on number of floors.</i>	Ring, Retaining (used with Emergency Key Device)
-	6940AG1	<i>Quantity is variable depending on number of floors.</i>	Switch, Interlock, complete, R.H.
-	6940AG2	<i>Quantity is variable depending on number of floors.</i>	Switch, Interlock, complete, L.H.
-	130J11	<i>Quantity is variable depending on number of floors.</i>	Washer, Lock

NOTE: For details of Hoistway Interlock, Door Closer, and Emergency Key Device, see Parts Leaflet C-1009.

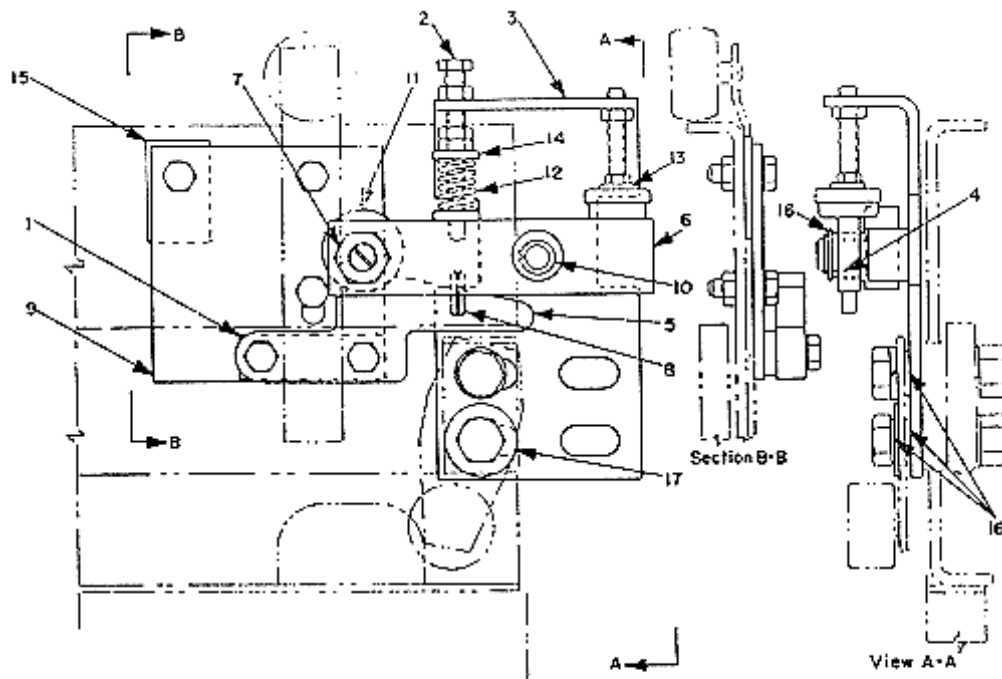


FIG. 8

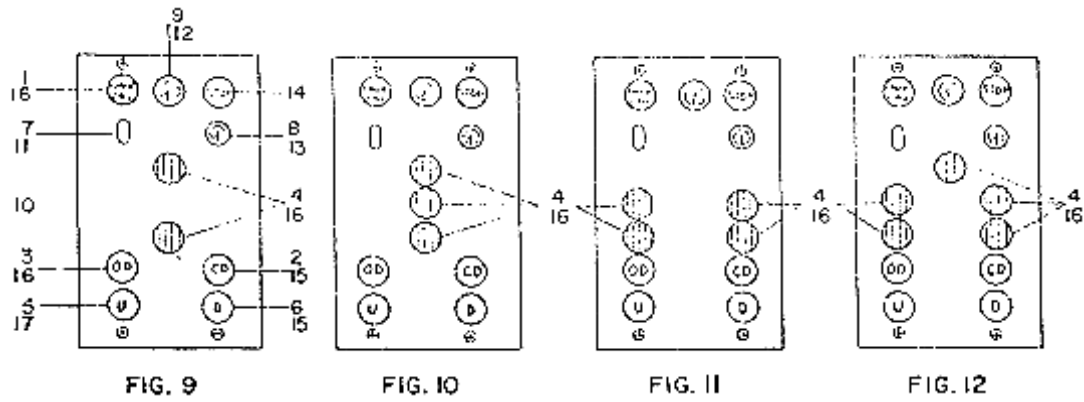
PARTS FOR CATCH LEVER AND HOLDING DEVICE - FIG. 8
M.L. 7300F1 & 2, M.L. 7300P1

C-1053 - HP 2000 Plunger Electric Elevator

Ref. No.	Part No.	Quantity	Description
1	299DA15	1	Bar, Clamp, 2-1/2" long, 3/4" wide, 3/16" thick
2	58XA115	1	Bolt, 5/16" dia., 1-3/4" long
3	316CCL2	1	Bracket, with Pin
4	335H7	1	Bushing
5	41Y1	1	Keeper
6	288LX2	1	Lever, Catch, complete with Bushing, Pins and Roller
7	72AF2	1	Nut, 1/2"-20 thread (used with Catch Lever)
8	81AX19	2	Pin, Spring, 1/4" dia., 3/4" long (used with Catch Lever)
9	386AYA1	1	Plate
10	172DE11	1	Ring, Retaining
11	456CP1	1	Roller, Eccentric (used with Catch Lever)
12	90WB1	1	Spring, Compression, 11/32" OD, 1-3/8" long
13	477EE2	1	Stop
14	133A5	2	Washer, Spring, 11/32" ID
15	127AV1	1	Washer, 1-3/4" long, 1-1/8" wide, .1196" thick, steel
16	127VB56	4	Washer, 33/64" ID, 3/4" OD, 1/16" thick, steel
17	130J11	1	Washer, Lock (for 1/2" dia. Bolt)

C-1053 - HP 2000 Plunger Electric Elevator

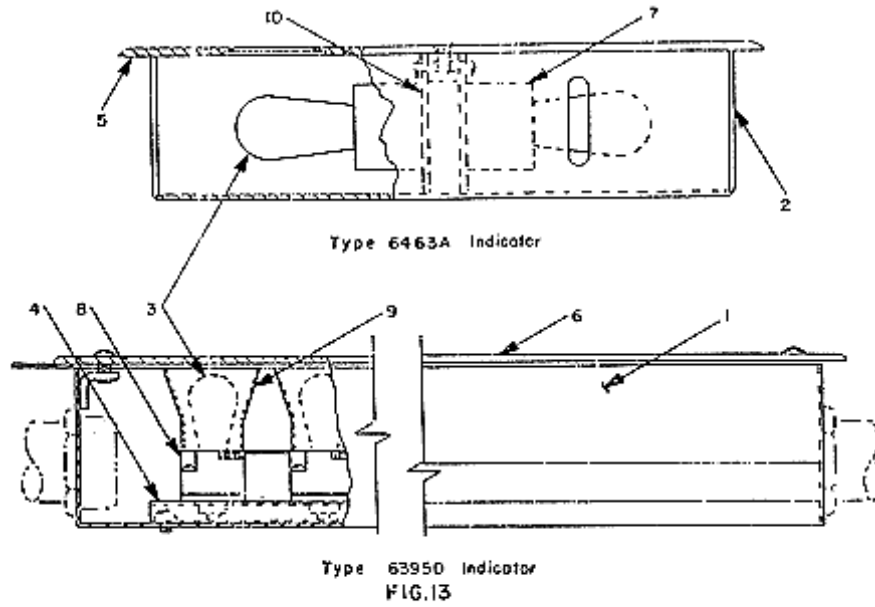
Page 9



6613F CAR OPERATING PANEL

C-1053 - HP 2000 Plunger Electric Elevator

Ref. No.	Part No.	Fig. No. Description ML 2242A	9 30	9 31	10 32	10 33	11 34	11 35	12 36	12 37
1	323BD2 See Fig. 19, Page 12.	Button, complete (mkd. EMER. CALL)	1	1	1	1	1	1	1	1
2	323BD2 See Fig. 19, Page 12.	Button, complete (mkd. CLOSE DOOR)	1	1	1	1	1	1	1	1
3	323BD2 See Fig. 19, Page 12.	Button, Complete (mkd. OPEN DOOR)	1	1	1	1	1	1	1	1
4	323BD2 See Fig. 19, Page 12.	Button, complete (markings per order)	2	2	3	3	4	4	5	5
5	323BD2 See Fig. 19, Page 12.	Button, complete (mkd. U)	-	1	-	1	-	1	-	1
6	323BD2 See Fig. 19, Page 12.	Button, complete (mkd. D)	-	1	-	1	-	1	-	1
7	329J4	Cap (mkd. FAN)	1	1	1	1	1	1	1	1
8	329J4	Cap (mkd. OFF-ON-LIGHT)	1	1	1	1	1	1	1	1
-	339FF1	Clip (for 7014A Switch)	2	2	2	2	2	2	2	2
-	339FG1	Clip (for single 7035A Button Unit)	5	6	6	7	7	8	8	9
-	339FG2	Clip (for double 7035A Button Unit)	-	1	-	1	-	1	-	1
9	340AA2	Collar (mkd. OFF-INSP-CAR-TOP)	1	-	1	-	1	-	1	-
-	175J5	Conductor	1	1	2	2	3	3	4	4
10	C147BE1 <i>When ordering a faceplate, give the machine number. Also add the following note: "Assemble with necessary button guides part #A385AV1."</i>	Plate Face	1	1	1	1	1	1	1	1
11	6599A4	Switch, Fan	1	1	1	1	1	1	1	1
12	6410E4 <i>For details, see Parts Leaflet C-1031.</i>	Switch, Key (for Top of Car Insp.)	1	-	1	-	1	-	1	-
13	6410R2	Switch, Key (for OFF-ON-LIGHT)	1	1	1	1	1	1	1	1
14	7014A1 <i>For details, see Parts Leaflet C-1024.</i>	Switch, Push Pull (Emerg. Stop)	1	1	1	1	1	1	1	1
15	7035A8 <i>For details, see Parts Leaflet C-1021.</i>	Unit, Button, with Clip, Single Make-Break	1	2	1	2	1	2	1	2
16	7035A9 <i>For details, see Parts Leaflet C-1021.</i>	Unit, Button, with Clip, single making	4	4	5	5	6	6	7	7
17	7035A10 <i>For details, see Parts Leaflet C-1021.</i>	Unit, Button, with Clip, double make-break	-	1	-	1	-	1	-	1



TYPE 6463A AND 6395D CAR POSITION INDICATOR - FIG. 13
M.L. 2342A3R. 39, 40, 41

C-1053 - HP 2000 Plunger Electric Elevator

Ref. No.	Part or ML No.	Quantity	Description
1	C313D1	1	Box
2	A313G1	1	Box
3	6599D8	<i>When ordering, give description and machine numbers.</i>	Lamp, Clear, type S-6, 120 volts
4	105DS1	1	Plate, Base
5	A147CE1	1	Plate, Face (markings per order)
6	B147DE1	1	Plate, Face (markings per order)
7	2226A1	2	Receptacle, each consisting of: 1 - Base, Receptacle Part 6644A2 1 - Barrier, Insulating Part 275AJ1 1 - Plate Part 386TV1 1 - Washer Part 130J4
8	6644AJ1	<i>When ordering, give description and machine numbers.</i>	Receptacle, each consisting of: 1 - Base, Receptacle Part 6644A3 1 - Barrier, Insulating Part 275AJ1 1 - Plate Part 386AWV1
9	278AD1	<i>When ordering, give description and machine numbers.</i>	Shield, Light
10	278AE1	2	Shield, Light

C-1053 - HP 2000 Plunger Electric Elevator

TYPE 6600A HALL BUTTON FIXTURE - FIG. 14
 ML 2242A42, 43, 44, 45

Ref. No.	ML No.	Quan- tity	Description
<i>For details, see Parts Leaflet C-1033.</i>	{pn]B147AK323	2	Plate, Face (Terminal Floors)
<i>For details, see Parts Leaflet C-1033.</i>	{pn]B147AK327	<i>When ordering, give machine number. Also add the following note for Faceplate: "Assemble with necessary Button Guides part #A385AV1".</i>	Plate, Face (Interm. Floors)
<i>For details, see Parts Leaflet C-1033.</i>	{pn]6600A93	2	Unit, Hall Button (Terminal Floors)
<i>For details, see Parts Leaflet C-1033.</i>	{pn]6600A85	<i>When ordering, give machine number. Also add the following note for Faceplate: "Assemble with necessary Button Guides part #A385AV1".</i>	Unit, Hall Button (Inter. Floors)

C-1053 - HP 2000 Plunger Electric Elevator

Page 11

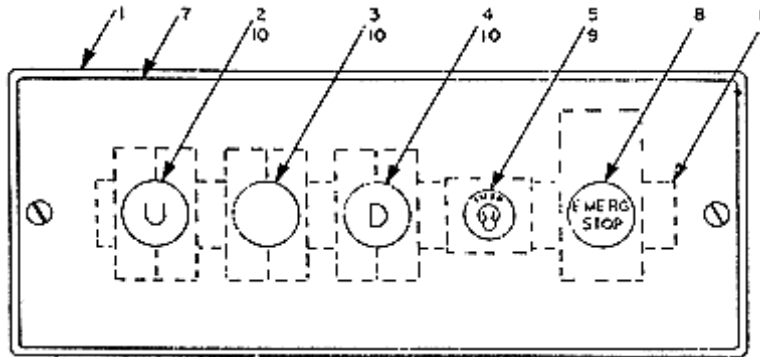


FIG. 15

INSPECTION CONTROL BOX - FIG. 15
M.L. A7003C1

Ref. No.	Part or MLNo.	Quantity	Description
1	A308DR1	1	Box
2	323BD2 See Fig. 19, Page 12..	1	Button, complete (mkd. U)
3	323BD2 See Fig. 19, Page 12..	1	Button, complete (unmarked)
4	323BD2 See Fig. 19, Page 12..	1	Button, complete (mkd. D)
-	339FF1	2	Clip (for 7014A Switch)
-	339FG2	3	Clip (for 7035A Button Unit)
5	329J4	1	Collar (mkd. INSP.)
6	105CJ18	1	Plate, Base
7	A147DP2* When ordering a Faceplate, add the following note: "Assemble with necessary Button Guides #A385AV1."	1	Plate, Face, with Buttons
8	7014A8 For details, see Parts Leaflet C-1024.	1	Switch, Push Pull (mkd. EMERG. STOP)
9	6599A8	1	Switch, Toggle, w/Bracket
10	7035A11 For details, see Parts Leaflet C-1021	3	Unit, Button, with Clip, double making

C-1053 - HP 2000 Plunger Electric Elevator

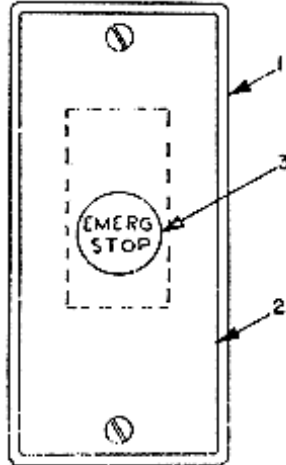


FIG.16

EMERGENCY STOP CONTROL BOX - FIG. 16
ML A7003B1

Ref. No.	Part No.	Quantity	Description
1	A308DP1	1	Box
-	339FF1	2	Clip
2	A147DN1	1	Plate, Face
3	7014A8 <i>For details, see Parts Leaflet C-1024.</i>	1	Switch, Push Pull (mkd. EMERG. STOP)

C-1053 - HP 2000 Plunger Electric Elevator

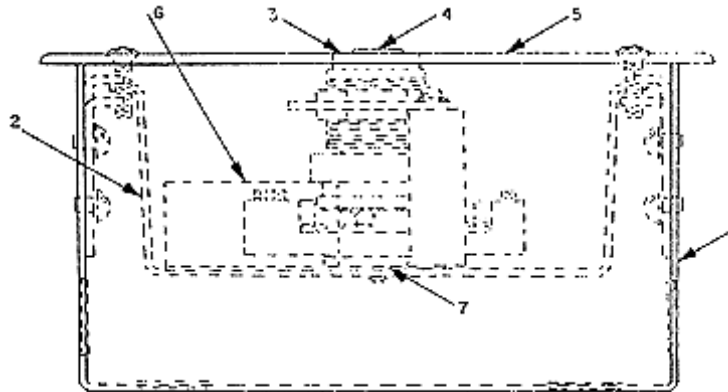


FIG. 17

ACCESS KEY SWITCH - FIG. 17

M.L. 7003D1

Ref. No.	Part or MLNo.	Quantity	Description
1	308DS1	1	Box
2	316ACP4	1	Bracket
3	340AA2	1	Cap (mkd. ACCESS, U, D, OFF)
4	6410H1 <i>For details, see Parts Leaflet C-1031</i>	1	Contact, Key Operated
5	147DR1	1	Plate, Face
6	278AT1	1	Shield
7	130J14	1	Washer, Lock, 13/64" ID, 57/64" OD, 1/32" thick

TYPE 6261P ROLLER GUIDES (3-3/4" dia. Rollers) - FIG. 18
ML 2242A90

Part or ML No.	Quantity	Description
384LN1	2	Guard (Top Roller Guides)
6261P1 <i>For details, see Parts Leaflet C-1047.</i>	4	Guide, Roller, 3-3/4" dia.

C-1053 - HP 2000 Plunger Electric Elevator

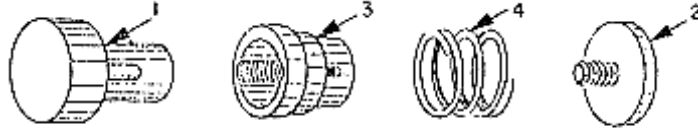


FIG. 19
PARTS FOR 323BD BUTTONS - FIG. 19

Ref. No.	Part No.	Quan- tity	Description
1	323BD1	1	Button, Top, 1-1/32" dia., black (specify marking)
1	323BD6	1	Button, Top, 1-1/32" dia., red (specify marking)
2	A323AF3	1	Button, Bottom, black (used with Button Assembly 323BD2, 3, 7)
2	A323AF6	1	Button, Bottom, black (used with Button Assembly 323BD4)
3	A385AV1	1	Guide
4	90YA26	1	Spring, Compression