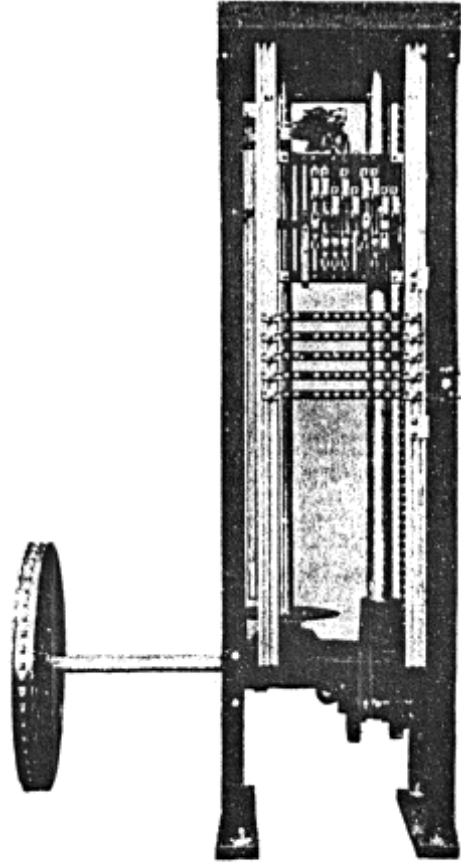


C-1044 - Type 6850CK Selector

May 1, 1965

Page 1 - Usually Mounted in Controller Frame

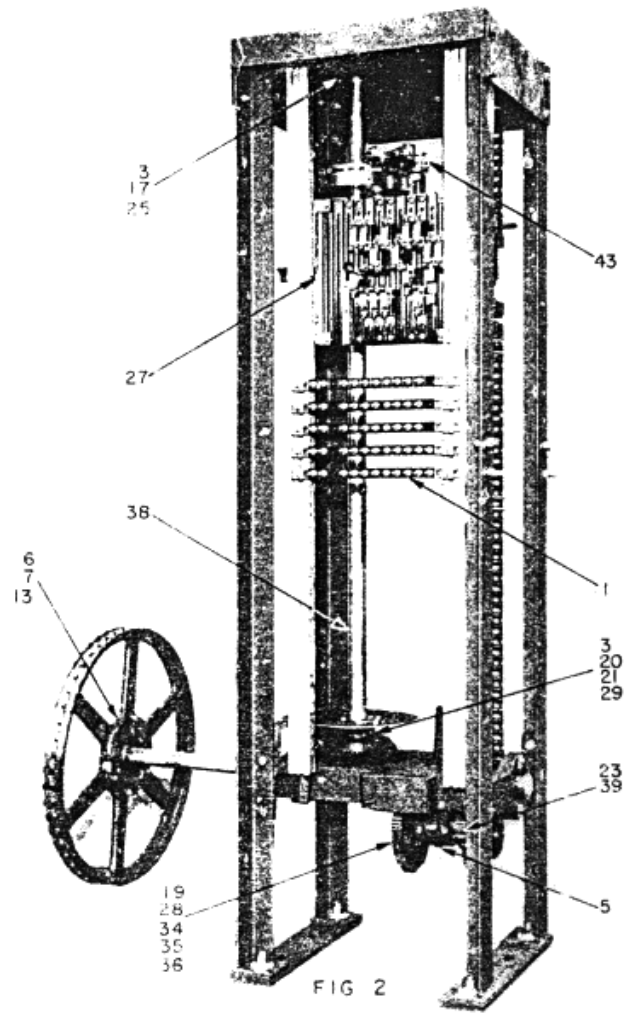
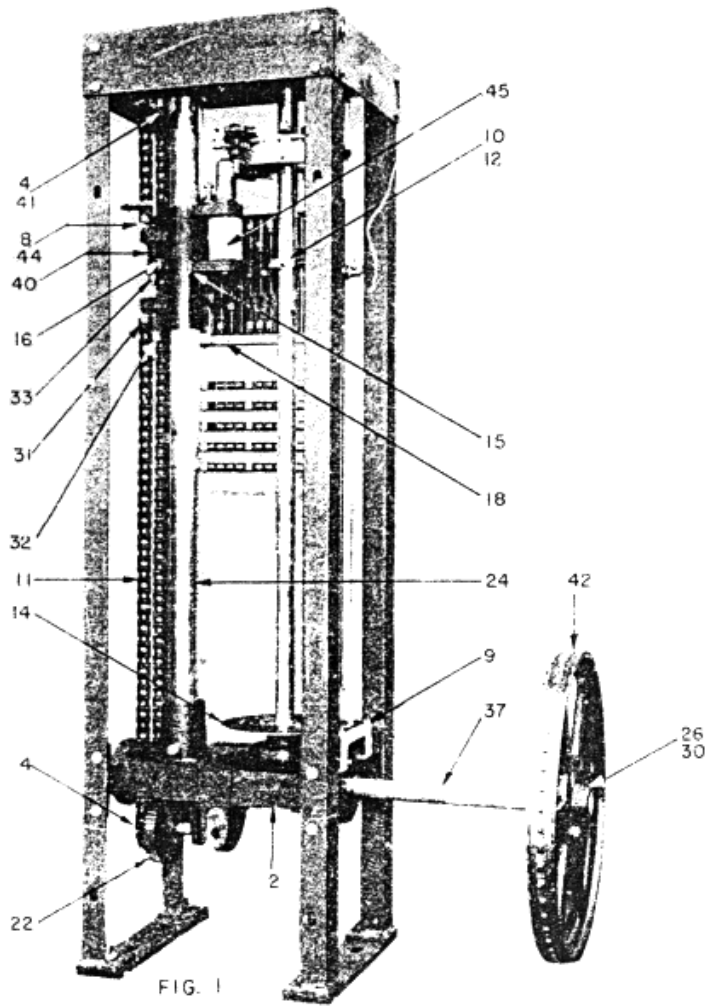
Order Form 0-417G-, 0-417H-, 0-417J-, 0-417K-,
0-426F-, 0-426H-, 0-426J-



Typical Illustration

C-1044 - Type 6850CK Selector

Page 2



C-1044 - Type 6850CK Selector

Page 3

Parts for Type 6850CK Selector- Fig. 1 & 2
 ML 6850CK1-13 and Order Form 0-417G-, 0-417H-,
 0-417J-, 0-426F-, 0-426H-, 0-426J-

Ref. No.	Part or MLNo.	Quantity	Description
1	-	-	Bar, Floor (for details, see Page 5, Fig. 4)
2	306DR5	1	Base (for R.H. Selector, ML 6850CK1 & 4)
2	306DR8	1	Base (for L.H. Selector, ML 6850CK5 & 6)
2	306JN2	1	Base (for ML 685CCK8, 9, 10, & 12)
3	207Z3	-	Bearing, Ball (for Housing & Base)
4	207Z44	4	Bearing, Ball (for Sprocket & Gear)
5	207Z45	2	Bearing, Ball (for Base)
6	207AN1	1	Bearing, Ball (for Base) (used on ML 6850CK1 4, 5, & 6)
7	207BD1	2	Bearing, Ball (for Base) (used on ML 6850CK8, 9, 10, & 12)
8	58XA135	1	Bolt, Hex. Hd., 3/8" dia., 4-1/2" long (for Lever)
9	316BPT4	1	Bracket, with Indicator 269AS1 and Screws
10	6827C1	-	Cam, with Clamp
10	327FT2	-	Cam (for Cam 6827C1)
11	A332AH14	1	Chain, Roller, 5/8" pitch, .400" Roller dia., 3/8" wide, 84-3/8" long
12	336CM1	-	Clamp (for Cam 6827C1)
13	339CB1	4	Clip (for Bearing 207AN1)
14	340AX4	1	Collar, with Indicator (for 111:1 Ratio)
14	340AX5	1	Collar, with Indicator (for 60:1 Ratio)
15	348T1	1	Crosshead
16	435AF1	1	Cup, Oil (for Crosshead)
17	353AB10	1	Disc, 1-5/16" dia. (for Housing)

C-1044 - Type 6850CK Selector

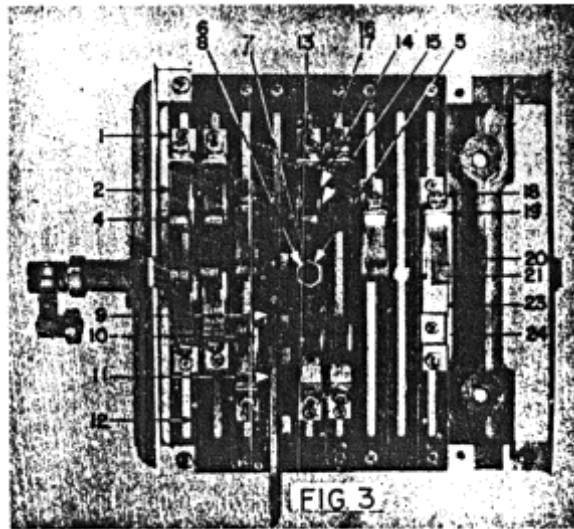
-	-	-	Drive, Indicator, 6850Z (for details, see Page 5, Fig. 5)
18	374LP2	1	Frame, Crosshead Panel , with Pin, Roller Arm, Bearing & Spring Pin
19	201BR2	1	Gear, Spur, 82 teeth
20-21	202BP1	1	Gear, Bevel, 40 teeth
20-21	202BR1	1	Gear, Bevel, 54 teeth
22	205C6	1	Gear, Sprocket, 48 teeth with Rings (for 60:1 Ratio)
22	205C8	1	Gear, Sprocket, 40 teeth with Rings (for 111:1 Ratio)
23	201BS3	1	Gear, Pinion, 15 teeth, 111:1 ratio (for Shaft 494GW2)
23	201BS4	1	Gear, Pinion, 23 teeth, 60:1 ratio (for Shaft 494GW3)
24	385HK6	1	Guide, Crosshead, 41-1/4" long with Pin
25 <i>Arrow indicates location, the parts themselves not showing in the illustration.</i>	396BC2	1	Housing, Bearing
26	397Z1	1	Hub, Sprocket
27	269T3	2	Indicator, Floor Bar Setting, without Pointer
28 <i>Arrow indicates location, the parts themselves not showing in the illustration.</i>	192D62	1	Key, 3/16" square, 1-3/8" long (for Gear 201BR2)
29 <i>Arrow indicates location, the parts themselves not showing in the illustration.</i>	192E20	-	Key, 1/4" square, 1-1/4" long (for Gears 202P1 & 202BR1)
30 <i>Arrow indicates location, the parts themselves not showing in the illustration.</i>	192E25	-	Key, 1/4" square, 2" long (for Hub)
31	288FZ1	2	Lever (Chain to Crosshead)
32	67G8	1	Nut, 3/8" Elastic Stop (for Lever)
33	67AA1	1	Nut, Lock (for Bolt 58XA135)
-	-	1	Pack, Power (for details, see Page 8, Fig. 10)
-	-	1	Panel, Crosshead (for details, see Page 4, Fig. 3)
34 <i>Arrow indicates location, the parts themselves not showing in the illustration.</i>	81AX5	1	Pin, Spring, 3/16" dia., 1-3/4" long (for Pin 77RL1)
35 <i>Arrow indicates location, the parts themselves not showing in the illustration.</i>	77RL1	1	Pin, Shouldered, 3/4" dia., 3-3/4" long (for Sprocket Gear)

C-1044 - Type 6850CK Selector

36	Arrow indicates location, the parts themselves not showing in the illustration.	172DE19	2	Ring, Retaining (for Pin 77RL1 and Sprocket 195CH4)
37		494ES7	1	Shaft, Drive, 16 teeth, 27-1/8" long (for R.H. Selector ML 6850CK1 & 4)
37		494ES8	1	Shaft, Drive, 16 teeth, 27-1/8" long (for L.H. Selector ML 6850CK5 & 6)
37		494JB3	1	Shaft, Drive, 16 teeth, 28" long (for R.H. Selector ML 6850CK8 & 9)
37		494JB4	1	Shaft, Drive, 16 teeth, 28" long (for L.H. Selector ML 6850CK10 & 12)
38		A494ET7	1	Shaft, Cam, 1-1/8" dia., 40-7/8" long
39		494GW2	1	Shaft, Pinion, 4-7/8" long with Bearing & Gear (111:1 Ratio)
39		494GW3	1	Shaft, Pinion, 4-7/8" long with Bearing & Gear (for 60:1 Ratio)
40		90JC15	1	Spring, Compression, 1" OD, 2" long (for Bolt 58XA135)
41		195CH4	1	Sprocket, Chain, 12 teeth w/Ring
42		195DR1	1	Sprocket, Tooth Tape, 52 teeth
43		-	1	Switch, Leveling (for details, see Page 6, Fig. 6)
44	Arrow indicates location, the parts themselves not showing in the illustration.	131P2	2	Washer, 7/16" ID, 1" OD, 5/16" thick (for Lever)
45		488B2	1	Wick, 3" wide, 7/16" long, 1/8" thick, felt (for Crosshead)

C-1044 - Type 6850CK Selector

Page 4



Parts for Crosshead Panel - Fig. 3

ML 6850BR1, 3,5, & 6

Order Form 0-417G-, 0-417H-, 0-417J-, 0-417K-, 0-426F-,
0-426H-, 0-426J-

Ref. No.	Part or MLNo.	Quantity	Description
1	A6839F3	-	Brush, Contact, each consisting of:
2			1 - Bracket Pt. 316BFV1
4			1 - Contact, Carbon,
			7/16" long Pt. 156J2
-			1 - Spring, Flat Pt. 93CC1
1	A6839F4	-	Brush, Contact, each consisting of:
2			1 - Bracket Pt. 316BFV1
4			1 - Contact, Elkonite,
			7/16" long Pt. 156AT1
-			1 - Spring, Flat Pt. 93CC1
5	6482C2	1	Brush, Plunger, consisting of:
6			1 - Contact W/Stud Pt. A151C2
7			1 - Guide, 1-5/8" lg. Pt. A385EG1
-			1 - Nut, Special Pt. 72BH1
8			1-Spring, Compression
			Pt. 90KA2
-	6850E1	-	Cam, Short, each consisting of:
9			1 - Cam, 1-1/16" long,
			Phenolic Pt. 327CX1
10			1 - Cam, 11/16" long,
			Phenolic Pt. 327CY1
11			1 - Contact, 4" long
			Carbon Pt. 156F2

C-1044 - Type 6850CK Selector

-	6850E2	-	Cam, Long, each consisting of:"
9			1 - Cam, 1-9/16" long, Phenolic Pt. 327CX2
10			1 - Cam, 1-3/16" long, Phenolic Pt. 327CY2
11			1 - Contact, 4" long, Carbon Pt. 156F2
-	2166J3	1	Cam, Short, each consisting of:
9			1 - Cam, 1-1/16" long, Phenolic Pt. 327CX1
10			1 - Cam, 11/16" long, Phenolic Pt. 327CY1
11			1 - Contact, 4" long, Carbon Pt. 156F2
-	2166J4	1	Cam, Long, each consisting of:
9			1 - Cam, 1-9/16" long, Phenolic Pt. 327CX2
10			1 - Cam, 1-3/16" long, Phenolic Pt. 327CY2
11			1 - Contact, 4" long, Carbon Pt. 156F2
<i>Not illustrated.</i>	327CX5	1	Cam, 1-1/4" long, Phenolic
<i>Not illustrated.</i>	327GS1	1	Cam, 4-3/4" long, Steel
11	156F2	1	Contact, 4" long, Carbon
12	438CD1	-	Panel, Crosshead
13	6839B2	-	Switch, Brush, each consisting of:
14			1 - Base, Contact Pt. 306DN1
15			1 - Contact, W/Spring, Silver Pt. 150R8
16			1 - Contact, assembled Pt.156J5
17			1 - Contact, Carbon (for Contact 156J5) Pt. 156J2
18	6839Y4	-	Switch, Brush, each consisting of:
-			1 Movable Contact, consisting of:
19			1-Bracket Pt.316BFV1
20			1-Contact Pt. 150T3
21			1-Contact, Carbon Pt. 156J2
-			1-Spring,Flat,sti, Pt. 93CC1
23			1 - Contact Pt. 150BA7
24			1 - Strip Pt. 298EN1

N.B. It should be understood that the arrangement of the Brushes, Cams and Switches shown in Fig. 3 is purely illustrative. In actual practice the number and arrangement of the various parts depend on many things, such as Car speed, type of control, etc.

C-1044 - Type 6850CK Selector

Page 5



FIG. 4

Parts for Floor Bars - Fig. 4

ML 6850BS1, 2, 3, 4 & Order Form 0-417G-, 0-417H-, 0-417J-, 0-417K-

Ref. No.	Part No.	Quantity	Description
1	A299NJ1	-	Bar, Floor
2	306GD1	-	Base, Floor Bar
3	156E3	-	Contact
4	156G4	-	Contact
5	464BG2	-	Separator
6	464CB1	-	Separator
-	6839B3	-	Switch, Brush, each consisting of:
7		-	1 - Base, Contact Pt. 306DN1
8		-	1 - Contact, Silver, with Spring Pt. 150R8
9		-	1 - Contact, Spring Pt. 156G2
10		-	1 - Stop Pt. 477BT1
11		-	1 - Stud, Terminal Pt. 97C13
12		-	1 - Washer Pt. 131BK1

N.B. It should be understood that the arrangement of the Contacts in Fig. 4 is purely illustrative. In actual practice the number and arrangement of Contacts depend on many things, such as Car speed, type of control, etc.

C-1044 - Type 6850CK Selector

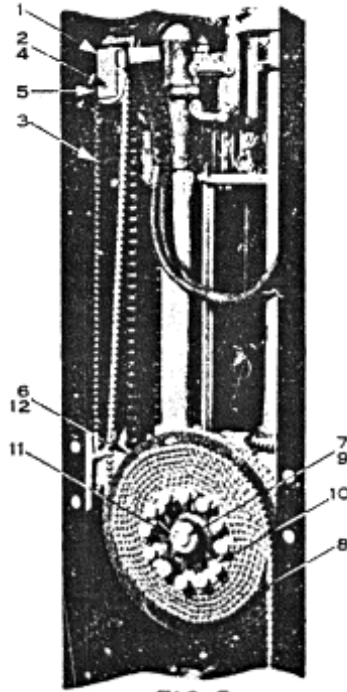


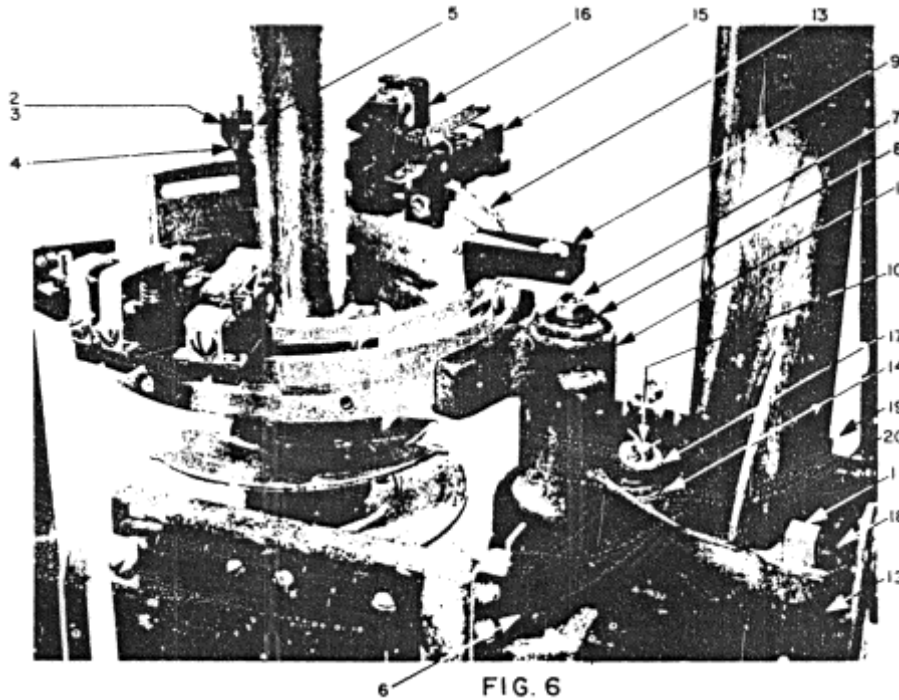
FIG. 5

Parts for Indicator Drive - Fig. 5
 Order Form 0-417G-, 0-417H-, 0-417J-, 0-417K-, 0-426F-,
 0-426H-, 0-426J-, Dwg. 6850Z-

Ref. No.	Part No.	Quantity	Description
1	316AVG2	1	Bracket, Pulley, with Pulley and Pin
2	335E45	1	Bushing, Oilless, 3/8" ID, 1/2" OD, 5/8" long (for Pulley)
3	A332AG3	1	Chain, 51-3/8" long, with Rod
3	A332AG6	1	Chain, 103-1/8" long, with Rod
4	77JH1	1	Pin, 3/8" dia., 1" long (for Bracket 316AVG2)
5	198R2	1	Pulley, with Bushing
6	6833B3	1	Sheave, Indicator, Chain, consisting of:
7	-	-	1 - Bushing (for Sheave) Pt. 335H10
8	-	-	1 - Chain, 15 ft. long Pt. 332AE1
9	-	-	1 - Pin, Rung Pt. 77JW1
10	-	-	12 - Pin Pt. 77KW1
11	-	-	1 - Ring, Retaining Pt. 172DE6
12	-	-	1 - Sheave, Chain, W/Bushing Pt. 264B2

C-1044 - Type 6850CK Selector

Page 6



Parts for Typr 685LD Leveling Switch - Fig. 6
ML A6851D1, A6851D3, A6851D4 and A6851D5

Ref. No.	Part or MLNo.	Quantity	Description
1	316BTD1	1	Bracket, Guide
2	6839D1	-	Contact, 6839D, each consisting of:
3	-	-	1 - Base, Contact Pt. 306CH1
4	-	-	1 - Contact, Spring,
			2" long, Carbon Pt. 154AD2
5	-	-	1 - Washer Pt. 131BA1
2	6839D2	-	Contact, 6839D, each consisting of:
3	-	-	1 - Base, Contact Pt. 306CH1
4	-	-	1 - Contact, Spring,
			2-1/2" lg., Carbon Pt. 154AD4
5	-	-	1 - Washer Pt. 131BA1
6	<i>When ordering give part number, which will be found on Coil to be replaced; or give Sales and Serial Numbers of the Selector and state that it is for the Leveling Switch.</i>	1	Coil, Magnet
7	400DR2	1	Core, with Rod
8	385HD2	1	Guide, with Tube
9	A269AT2	1	Indicator
10	81LA2	1	Pin, 1/4" dia., 1-3/4" long

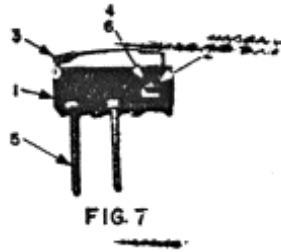
C-1044 - Type 6850CK Selector

11	77RH1	1	Pin, 3/8" square, 2-3/8" long O.A.
12	172DR6	1	Ring, Retaining (for Pin 77RH1)
13	172JN2	1	Ring, 5-3/8" long
14	90YA13	1	Spring, Compression
15	A6839E1	2	Switch, 6839E Door Zone (60:1 & 111:1 Ratio - for details, see Page 7, Fig. 8)
15	A6839E2	2	Switch, 6839E Door Zone (138:1 Ratio - for details, see Page 7, Fig. 8)
16	A6839G1	2	Switch, 6839G (for details, see Page 7, Fig. 9)
17	133A1	1	Washer, Spring Seat
18	128AF56	1	Washer, 1/4" ID, 1/2" OD, .02" thick, brass
19	129BT1	1	Washer, 1" ID, 1-1/2" OD, 1/8" thick, rubber
20	129BR3	1	Washer, 1-1/64" ID, 2" OD, 1/64" thick, Phenolic

N.B. It should be understood that the arrangement of the Contacts and Switches shown in Fig. 6 is purely illustrative., In actual practice the number and arrangement of the various parts depend on many things, such as Car speed, type of control, etc.

C-1044 - Type 6850CK Selector

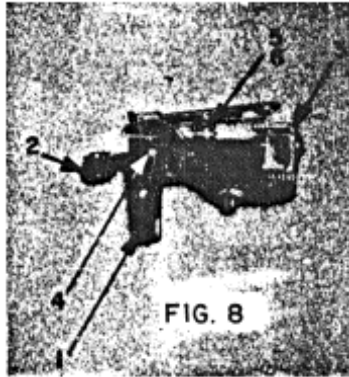
Page 7



Parts for Type 6839B Switch - Fig. 7
ML 6839B2 and 6839B4

Ref. No.	Part No.	Quantity	Description
1	306DN1	1	Base, Contact
2	150R8	1	Contact
3	327DM2	1	Cam, Fibre
3	156J5	1	Contact, Carbon, assembled
4	477BT1	1	Stop
5	97CJ	1	Stud, Terminal
6	131BK1	1	Washer

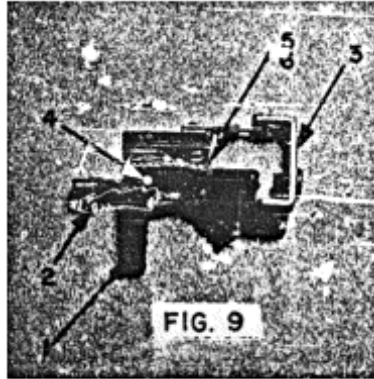
C-1044 - Type 6850CK Selector



Parts for Type 6839E Door Zone Switch - Fig. 8
 ML A6839E1 - 60:1 & 111:1 Ratios
 ML A6839E2 - 138:1 Ratio

Ref. No.	Part No.	Quantity	Description
1	306FF1	1	Base, Contact
2	150P37	1	Contact, Movable (69:1 & 111:1 Ratios)
2	150P41	1	Contact, Movable (138:1 Ratio)
3	A152AT1	1	Contact, Stationary
4	77MY1	1	Pin, 1/8" dia., 19/32" long
5	386ALP1	1	Plate, Spring Support
			<i>Arrow indicates location, the part itself not showing in the illustration.</i>
6	90CE2	1	Spring, Compression

C-1044 - Type 6850CK Selector

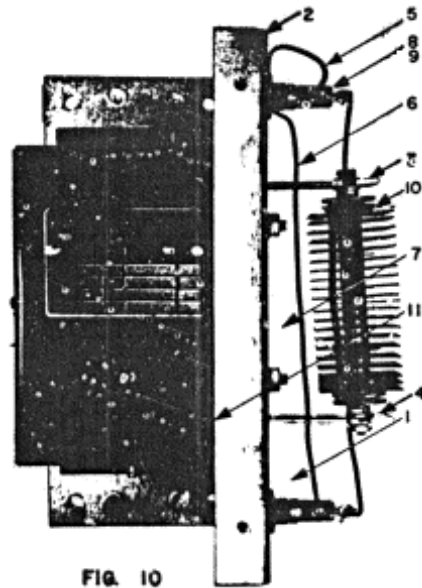


Parts for Type 6839G Switch - Fig. 9
ML A6839G1

Ref. No.	Part No.	Quantity	Description
1	306FF1	1	Base, Contact
2	6839P1	1	Contact, Movable
3	A152AR2	1	Contact, Stationary
4	77MY1	1	Pin, 1/8" dia., 19/32" long
5*	386ALP1	1	Plate, Spring Support
6	90DE3	1	Spring, Compression

C-1044 - Type 6850CK Selector

Page 8



Parts for Type 6850BC Power Pack - Fig. 10
 ML 6850BC1 & 2 and Order Form 0-417G-, 0-417H-, 0-417J-,
 0-417K-, 0-426F-, 0-426H-, 0-426J-

Ref. No.	Part No.	Quantity	Description
1 Arrow indicates location, the parts themselves not showing in the illustration.	334H3	1	Bushing, 11/16" ID, 1-3/16" OD, 3/8" thick, rubber
2	316BJR1	1	Bracket
3	316BAT2	1	Bracket
4	316BAT1	1	Bracket
5	175BA50	1	Conductor, 12-1/4" long
6	175BA47	1	Conductor, 18" long
7 Arrow indicates location, the parts themselves not showing in the illustration.	285B1	1	Cover, Formed
8 Arrow indicates location, the parts themselves not showing in the illustration.	375P1	2	Fuse, 1 amp
9	180AA1	2	Holder, Fuse
10	230AY3	1	Rectifier, Selenium, 45 watts
11	235R1	1	Transformer, 185-250 volts, 50/60 cycles
11	235R2	1	Transformer, 361-484 volts, 50/60 cycles
11	235R3	1	Transformer, 109-121 volts, 50/60 cycles
11	235R4	1	Transformer, 525-641 volts, 50/60 cycles