

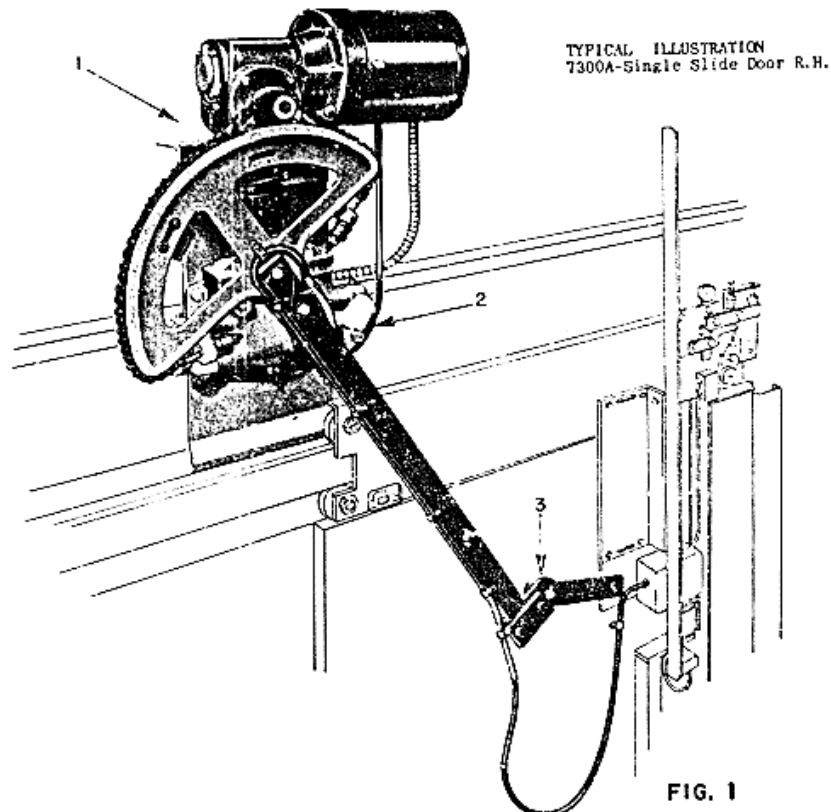
February 1, 1969

OBSOLESCENCE NOTICE

The product covered in this SPL has been designated as obsolete and is no longer supported. See TIP 32.2-1, *Obsolete Components*, for potential upgrade. Replacement lower level parts listed within and unique to this design are not being restocked when depleted. Some of these parts, depending on availability and other factors, may be quoted through Customer Service, but most will have extended lead times and increased cost due to low volume production.

Page 1

A-FORM A5E10-1 & A8C70S-2
HP Form HP 1500-21, 22, 23, and 31, 32, 33



- 1 - Engine see Fig. 2, 4
- 2 - Check, Doorsee Fig. 3
- 3 - Link, Assem.see Fig. 5

NOTE 1 - For Type 6098 Switch, see Leaflet C-919
NOTE 2 - For Type "AU" Hangers, see Leaflet C-1010

C-1039B - Type 7300A Door Operator; Type 7300AA Door Operator

Page 2

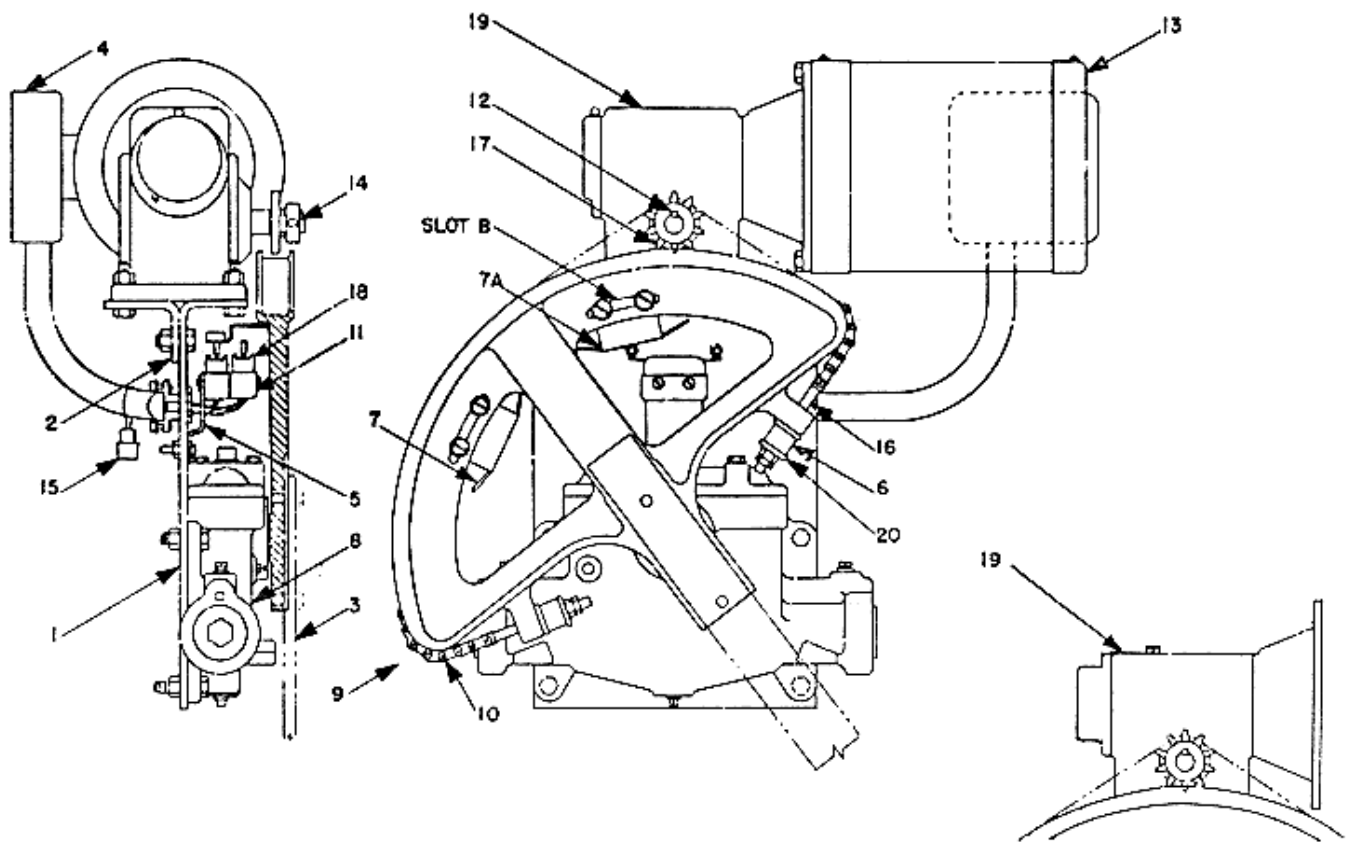


FIG. 2

SKETCH-A

C-1039B - Type 7300A Door Operator; Type 7300AA Door Operator

Page 3

TYPE 7300A DOOR OPERATOR ENGINE - FIG. 2

M L B7300A1 and A2

Parts shown below, except for Cam*, are also used in A7300A1

Dwg. A7300H - Single Slide Car Door ----- Opening 32" to 40"

Dwg. A7300C - Two Speed Car Door ----- Opening 26" to 48"

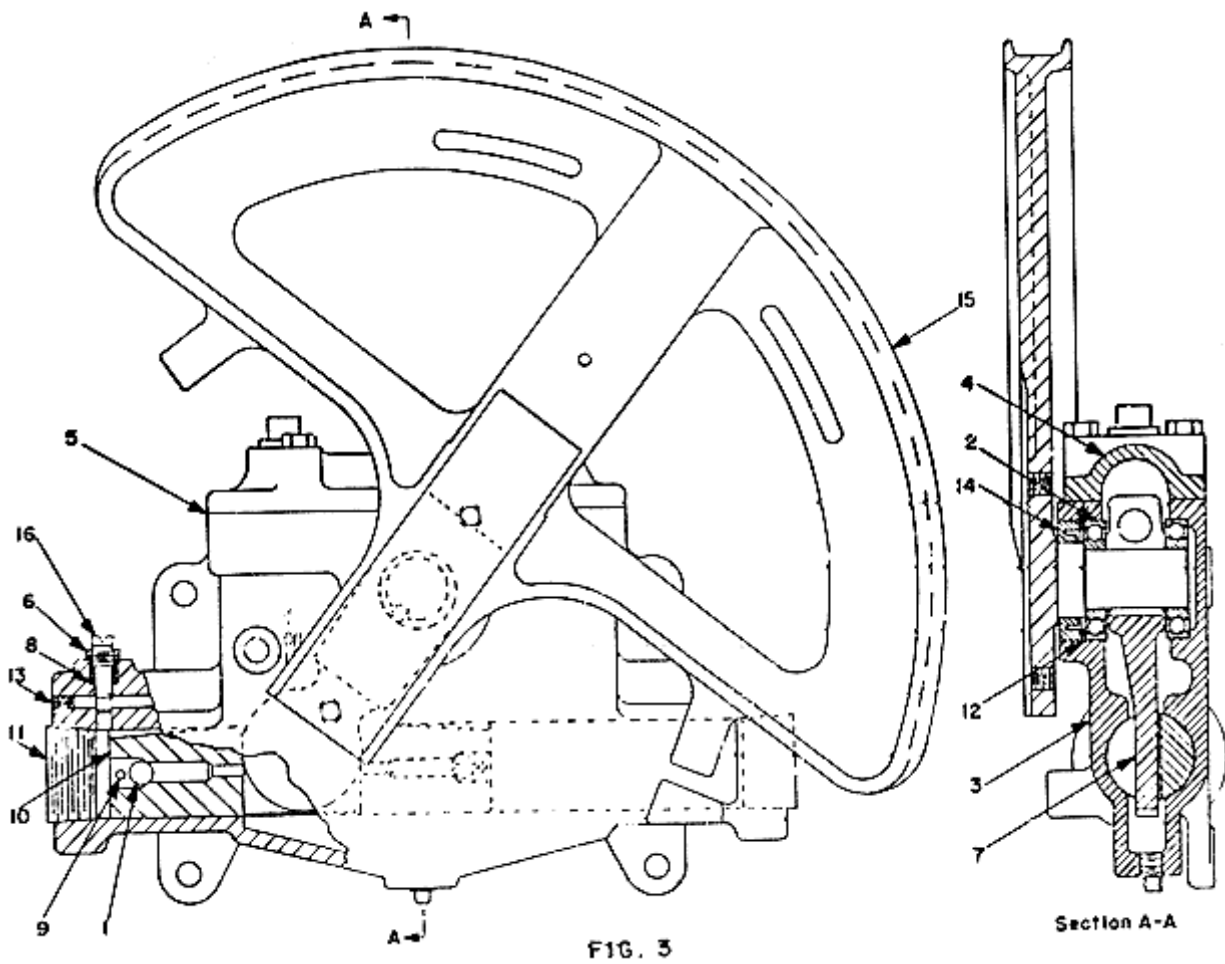
Dwg. 7300R - Center Opening Car Door -- Opening 26" to 48"

Ref. No.	Part No.	Quantity	Description
1	283GH1	1	Angle, steel, 12-3/4" x 9" x 2-3/16" x 1/4"
2	A283FG1	1	Angle, steel, 9" x 2-3/8" x 1-15/16" x 1/4"
3	<i>For replacement, give sales or contract number, name and description of part.</i>	1	Arm, Operator
4	A309AN2	1	Box, complete
5	316CAW1	1	Bracket (for Micro Switch)
6	320BE2	2	Bumper, rubber, 15/16" dia., 7/8" long
7	A327HM1	1	Cam
7A	<i>327JD1 Cam No. 327JD1 only is interchangeable with Cam No. 327HM1 used in ML A7300A 1.</i>	1	Cam
8	7300B	1	Check, Door, complete (for details, see Page 5)
9	332BC2	1	Chain, complete with Links and Rods
10	332BC1	1	Chain, roller, #40 ASA 1/2" pitch, 28-1/2" long, with (2) conn. links (for Chain Assembly 332BC2)
11	346AFA1	2	Cover, Plastic (for Micro Switch)
12	192E16	1	Key, ends square, 3/16" x 3/16" x 1" long (for Sprocket)
-	<i>7300E For replacement, give sales or contract number, name and description of part.</i>	1	Link, Assembly complete (for details, see Page 8)
13	6333AM1	1	Motor, complete with Key
14	81AX41	1	Pin, Spring, 1/8" dia., 1-1/4" long (for Sprocket)

C-1039B - Type 7300A Door Operator; Type 7300AA Door Operator

15	444AT2	1	Plug, Vent Pipe 1/2" long (used for testing only)	
16	95BV2	2	Rod, Shouldered, 5/16"-18 thd., 3-3/4" long (for Chain 332BC2)	
17	195FK1	1	Sprocket, 10 teeth (for Segment)	
18	177AJ1	2	Switch, Micro, SPDT with Roller	
19	197B1 <i>When ordering Part identify type unit. Complete assembly units are interchangeable. Internal component parts, however, are not interchangeable. Winsmith Inc., type as shown in Fig. 2: a flat cover with grease fitting. Charles Bond Co., type as shown in Sketch - A: with bell shape cover and square plug.</i>		1	Unit, Gear Reduction
20	133A7	4	Washer, Spring Seat, 11/32" ID (for Bumpers)	

NOTE: To determine hand of door, face door from car side. If they open to right, they are right hand; if they open to left, they are left hand.



C-1039B - Type 7300A Door Operator; Type 7300AA Door Operator

Page 5

PARTS FOR DOOR CHECK - FIG. 3

M L 7300B1

ML 7300B2, Case with Heater Element

Ref. No.	Part No.	Quantity	Description
1	295B1	2	Ball, steel, 3/8" dia., (for Piston)
2	207Z51	2	Bearing, Ball (for Segment)
3	330DJ1	1	Case, ML 7300B1
3	330DJ2	1	Case, with Applied Heater Element, ML 7300B2
4	346AEX1	1	Cover, Case
5	376BC3	1	Gasket, Vellumoid, 7-1/8" Long, 2-3/8" Wide, .022 Thick (for Case and Cover)
6	381C1	2	Gland, Brass, 3/8"-32N-3 ID, 9/16"-24N-3 OD (for Valve)
7	288LK1	1	Lever, 5-11/16" long (Keyed to Segment)
8	182C1	4	Packing, Asbestos, 9/32" ID, 1/2" OD, 5/32" Thick (for Valve)
9	81AX2	2	Pin, Spring, 3/32" dia., 3/4" Long (for Piston)
10	442AL1	1	Piston, 1-1/2" dia., 6-1/2" Long
11	---	2	Plug, Pipe, 1-1/4" CTSK.
12	172CY15	1	Ring, Retaining, 1-1/2" ID, 2-5/32" OD, 1/16" Thick (for Bearing)
13	97G1	2	Rod, Brass, 1/4"-28-NF-3, 5/8" Long (for Case)
14	33D22	1	Seal, Oil, 1-1/4" ID, 2" OD, 3/8" Thick (for Bearing)
15	165D1	1	Segment
16	271D1	2	Valve, Brass, Shouldered, 1-1/4" Long

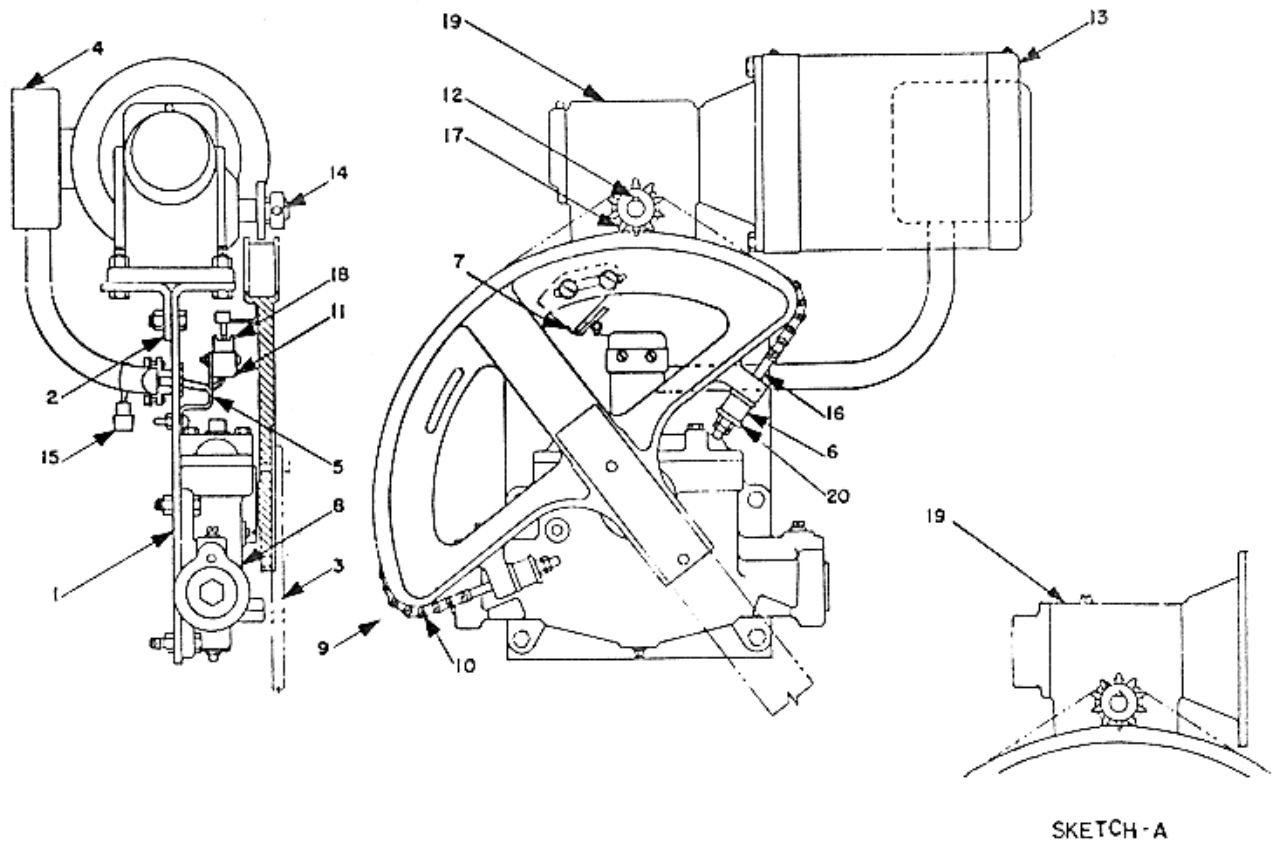


FIG. 4

C-1039B - Type 7300A Door Operator; Type 7300AA Door Operator

Page 7

TYPE 7300AA DOOR OPERATOR ENGINE-Fig. 4

ML 7300AA1

RH Single Slide Car Door-Opening 32"

Ref. No.	Part No.	Quantity	Description
1	283GH1	1	Angle, steel, 12-3/4" x 9" x 2-3/16" x 1/4"
2	A283FG1	1	Angle, steel, 9" x 2-3/8" x 1-15/16" x 1/4"
3	288KL10	1	<i>This Arm is used with the Door Operator Engine but, is not shown on the above material list.</i> Arm, Operator, 36" lg.
4	A309AN2	1	Box, Outlet, complete
5	316CAW1	1	Bracket (for Micro Switch)
6	320BE2	2	Bumper, rubber, 15/16" dia., 7/8" long
7	327JM1	1	Cam, (for Micro Switch)
8	7300B1	1	Check, Door, complete (for details see Page 5)
9	332BC2	1	Chain, complete with Links and Rods
10	332BC1	1	Chain, Roller, #40ASA, 1/2" Pitch, 5/16" dia., 28-1/2" long, with (2) conn. links (for Chain Assembly 332BC2)
11	346AFA1	1	Cover, Plastic (for Micro Switch)
12	192E16	1	Key, ends square, 3/16" x 3/16" x 1" long (for Sprocket)
--	7300E8	1	Link, Assembly complete (for details see Page 8)
13	6333BM1	1	Motor, complete with key
14	81AX41	1	Pin, Spring, 1/8" dia., 1-1/4" long (for Sprockets)
15	444AT2	1	Plug, Vent Pipe, 1/2" size (used for testing only)
16	95BV2	2	Rod, Shouldered, 5/16" - 18 Thd., 3-3/4" long for Chain 332BC2)
17	195FK1	1	Sprocket, 10 teeth (for Segment)
18	177AJ1	1	Switch, Micro, S.P.D.T. with Roller

C-1039B - Type 7300A Door Operator; Type 7300AA Door Operator

19	<p>197B1 <i>When ordering Part identify type unit. Complete assembly units are interchangeable. Internal component parts, however, are not interchangeable. Winsmith Inc., type as shown in Fig. 2: A flat cover with grease fitting. Charles Bond Co., type, as shown in sketch -A: with bell shape cover and square plug.</i></p>	1	Unit, Gear Reduction
20	133A7	4	Washer, Spring Seat, 11/32" ID, (for Bumpers)

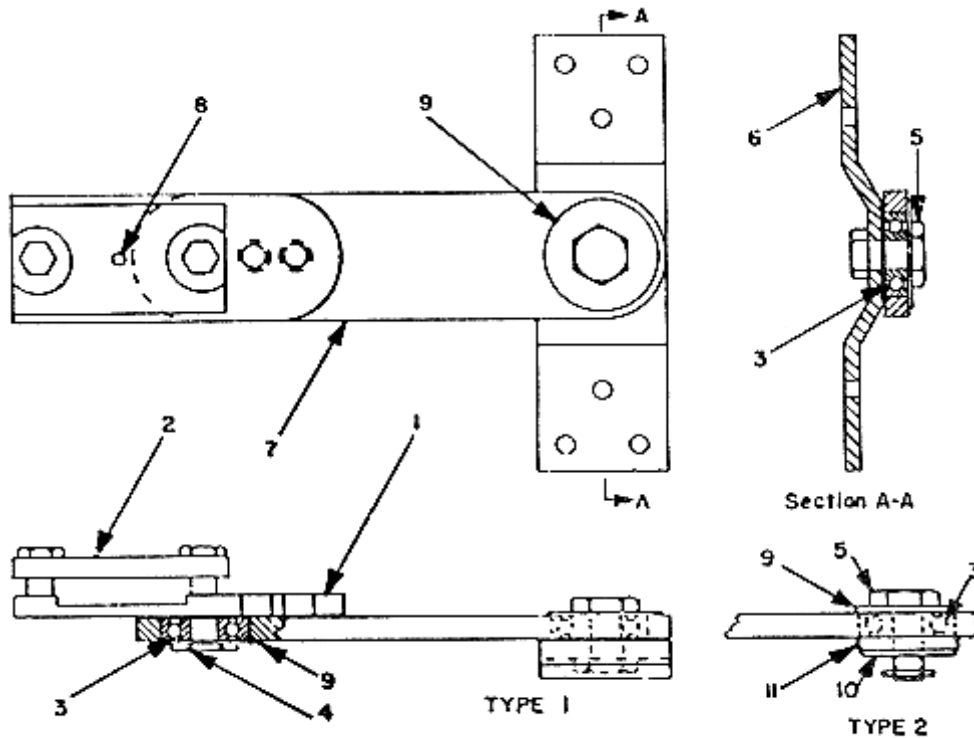


FIG. 5

PARTS FOR DOOR LINK ASSEMBLY-Fig. 5

Ref. No.	Part No.	Description	ML & Quan. 7300E-							
			1	2	3	4	5	6	8	
1	299XT1	Bar, 1-3/4" wide, 4-7/16" long, 5/16" thick	1	1	1	1	1	1	1	1
2	299XW1	Bar, 1-1/2" wide, 2-7/8" long, 1/4" thick	1	1	1	1	1	1	1	1
3	207R1	Bearing, Ball	2	2	2	2	2	2	2	2
4	59A5	Bolt, Shouldered, 3/8" -24 x 1-13/32" long	1	1	1	1	1	1	1	1
5	59A1	Bolt, Shouldered, 3/8" -24 x 1-1/16" long	-	-	-	1	1	1	-	-
5	65EA2	Bolt, 3/8" -24 x 1" long	1	1	1	-	-	-	-	1
6	316CBC1	Bracket, 1-3/4" wide, 6" long, 3/16" thick	1	1	1	-	-	-	-	1
7	430TA3	Link, 1-3/4" wide, 7-1/8" long, 5/16" thick	1	-	-	-	-	-	1	-
7	430TA9	Link, 1-3/4" wide, 8-3/4" long, 5/16" thick	-	1	-	-	-	-	-	-
7	430TA12	Link, 1-3/4" wide, 9-3/4" long, 5/16" thick	-	-	1	-	-	-	-	-
7	430TA33	Link, 1-3/4" wide, 6-1/4" long, 5/16" thick	-	-	-	-	1	-	-	-
7	430TA35	Link, 1-3/4" wide, 13" long, 5/16" thick	-	-	-	-	-	-	-	1
7	430TA47	Link, 1-3/4" wide, 6-3/4" long, 5/16" thick	-	-	-	1	-	-	-	-
8	81AX1	Pin, Spring, 3/16" dia., 3/4" long (for Bars & Arms)	1	1	1	1	1	1	1	1
9	127VB52	Washer, Steel, .395" ID, 1-1/4" OD, .0313 thick	1	1	1	1	1	1	1	2
10	127VB103	Washer, Steel, 3/8" ID, 1-1/4" OD, 1/16" thick	-	-	-	1	1	1	-	-
11	127VB104	Washer, Steel, 3/8" ID, 1-1/4" OD, 1/8" thick	-	-	-	1	1	1	-	-