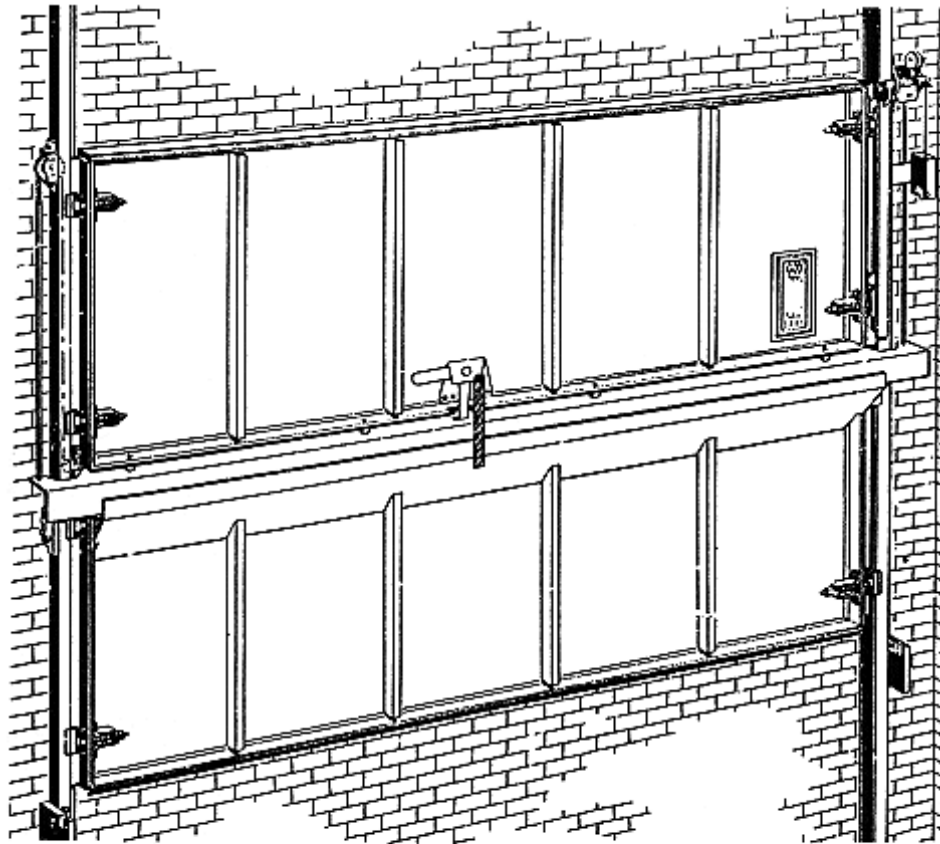
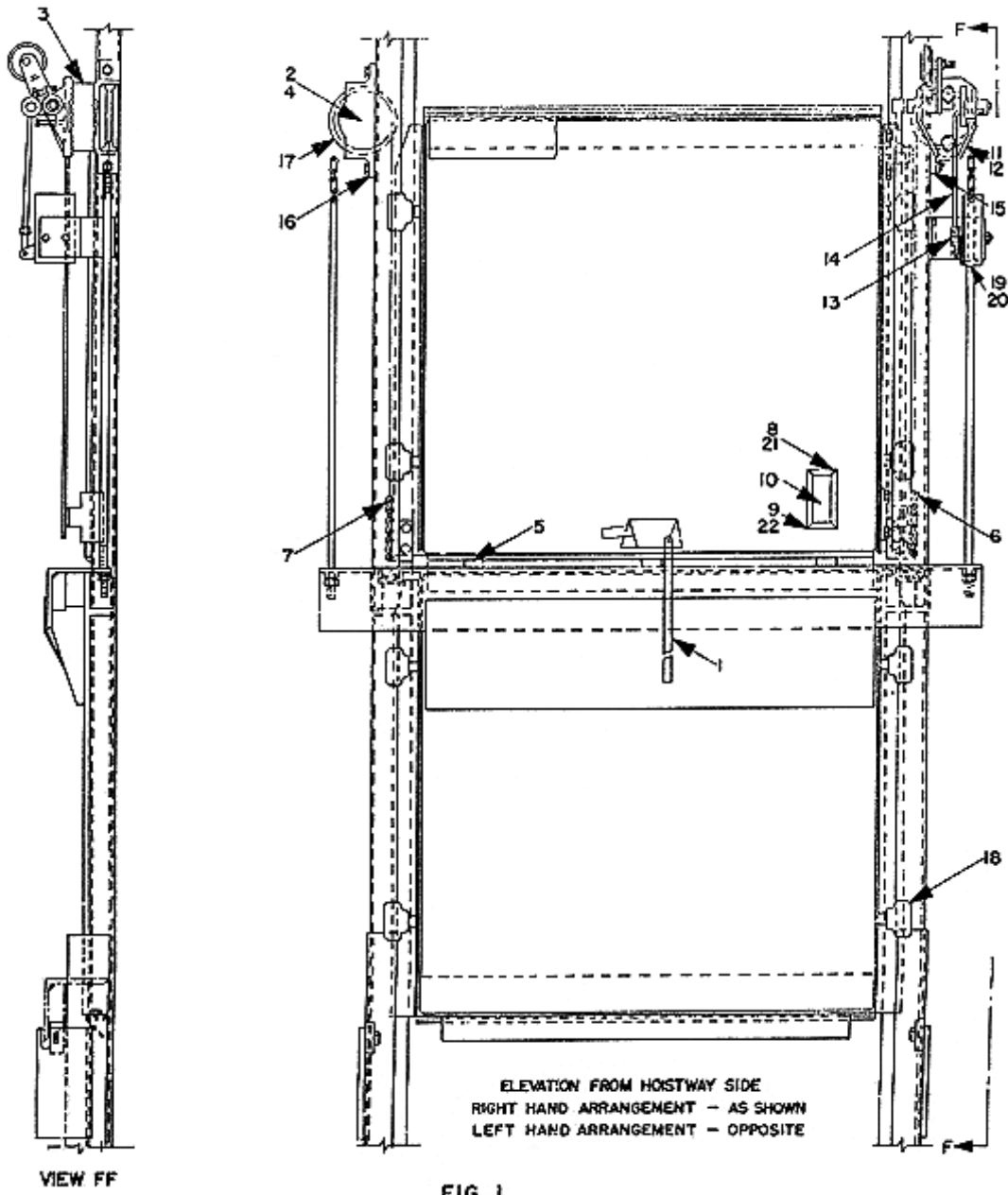


November 1, 1961

Page 1



A shaft-side view of an Otis Manual Operated door installation.
(See Parts Leaflet C-982A for Power Operated Doors.)



C-1023 - Manual Operated Vertical Bi-parting Hoistway Doors

Page 3

PARTS FOR VERTICAL BI-PARTING HOISTWAY DOORS

MANUAL OPERATION - (FIG. 1)

ORDER FORMS: 0-1109A, 0-1109B, 0-1109C AND 0-1109-

Ref. No.	Part No.	Quantity	Description
1	297C6	1	Band (Pull Strap), 18" long
1	297C1	1	Band (Pull Strap), 28" long
1	297C2	1	Band (Pull Strap), 40" long
1	297C3	1	Band (Pull Strap), 52" long
1	297C4	1	Band (Pull Strap), 64" long
<i>2 Arrow indicates location, the part itself not showing in the illustration.</i>	207Z10	2	Bearing, Ball (for Roller part #456AS2)
3	310CK1	1	Block, 1-23/32" thick, 2" wide, 5-1/4" long (for Lock)
4	59AN1	2	Bolt, Shouldered, 1-15/16" long, (for Roller part #456AS2)
-	6471A2	1	Box, Emergency Key, complete (for details, see Fig. 15, Page 11)
5	320P2	4	Bumper, rubber, 1-1/2" diam.
6	-	1	Chain, #6 - 2 x 3, steel cable, 5/8" pitch, with hitch, links and rod - specify length (for Pass Type)
7	-	1	Chain, #6 - 2 x 3, steel cable, 5/8" pitch, with hitch, links and rod - specify length (for Pass Type)
6	-	1	Chain, #6 - 2 x 3, steel cable, 5/8" pitch, with hitch, links and rod - specify length (for Regular Type)
7	-	1	Chain, #6 - 2 x 3, steel cable, 5/8" pitch, with hitch, links and rod - specify length (for Regular Type)
8	339CH1	2	Clip, Glass, 5" long (for Glass)
9	339CH2	2	Clip, Glass, 11-3/4" long (for Glass)
-	6694AF1	1	Device, Emergency Key, RH complete - for Openings up to 9 feet (for details see Fig. 13, Page 11)
-	6694AF2	1	Device, Emergency Key, LH complete - for Openings up to 9 feet (for details see Fig. 13, Page 11)
-	6694AF3	1	Device, Emergency Key, RH complete - for Openings from 9 feet 1/8 inch to 10 feet 9 inches (for details see Fig. 13, Page 11)
-	6694AF4	1	Device, Emergency Key, LH complete - for Openings from 9 feet 1/8 inch to 10 feet 9 inches (for details see Fig. 13, Page 11)

C-1023 - Manual Operated Vertical Bi-parting Hoistway Doors

10	443AF1	1	Glass (Vision Panel), wire glass 5" wide, 13" long, 1/4" thick
-	-	1	Latch, Fire, RH (Fusible Link Type) for details see Fig. 8, Page 9
-	-	1	Latch, Fire, LH (Fusible Link Type) for details see Fig. 8, Page 9
11	6690D1	1	Lock, Door, RH complete (for Retiring Cam - for details see Fig. 9, Page 9)
11	6690D2	1	Lock, Door, LH complete (for Retiring Cam - for details see Fig. 9, Page 9)
12	6690D3	1	Lock, Door, RH complete (for Stationary Cam - for details see Fig. 9, Page 9)
12	6690D4	1	Lock, Door, LH complete (for Stationary Cam - for details see Fig. 9, Page 9)
13	432A1	1	Lug (for Rod #98AT2)
14	98AT2	1	Rod, with Spacer, 1/4" diam., 10-5/8" long (for Lock)
15	6547B1	1	Roller, Chain, Type A, RH complete (for Regular Type)
16	6547B2	1	Roller, Chain, Type A, LH complete (for Regular Type)
15	6547B3	1	Roller, Chain, Type B, RH complete (for Pass Type)
16	6547B4	1	Roller, Chain, Type B, LH complete (for Pass Type)
17	456AS2	2	Roller, with Ball Bearing (for Chain Rollers)
18	-	8	Shoe, Door Guide, complete (for details see Fig. 14, Page 11)
19	6098BJ1 <i>For details see Leaflet C-919.</i>	1	Switch, Mechanical, (Arm with two Pins, for LH Door - used with Retiring Cam)
19	6098BJ7 <i>For details see Leaflet C-919.</i>	1	Switch, Mechanical, (Arm with Pin and Link)(for L.H. Door - used with Retiring Cam)
20	6098BJ2 <i>For details see Leaflet C-919.</i>	1	Switch, Mechanical, (Arm with two Pins, for RH Door - used with Retiring Cam)
20	6098BJ8 <i>For details see Leaflet C-919.</i>	1	Switch, Mechanical, (Arm with Pin and Link, for RH Door - used with Retiring Cam)
19	A6098B3 <i>For details see Leaflet C-919.</i>	1	Switch, Mechanical, (for LH Door - used with Stationary Cam)
20	A6098B11 <i>For details see Leaflet C-919.</i>	1	Switch, Mechanical, (for RH Door - used with Stationary Cam)
21	393Y2	2	Trough, asbestos, 5" long (for Glass)
22	393Y1	2	Trough, asbestos, 12" long (for Glass)

NOTE (1): The quantities shown are for one door.

NOTE (2): When ordering any material for which Part Numbers are not shown, give the Sales Number, description, and name of part.

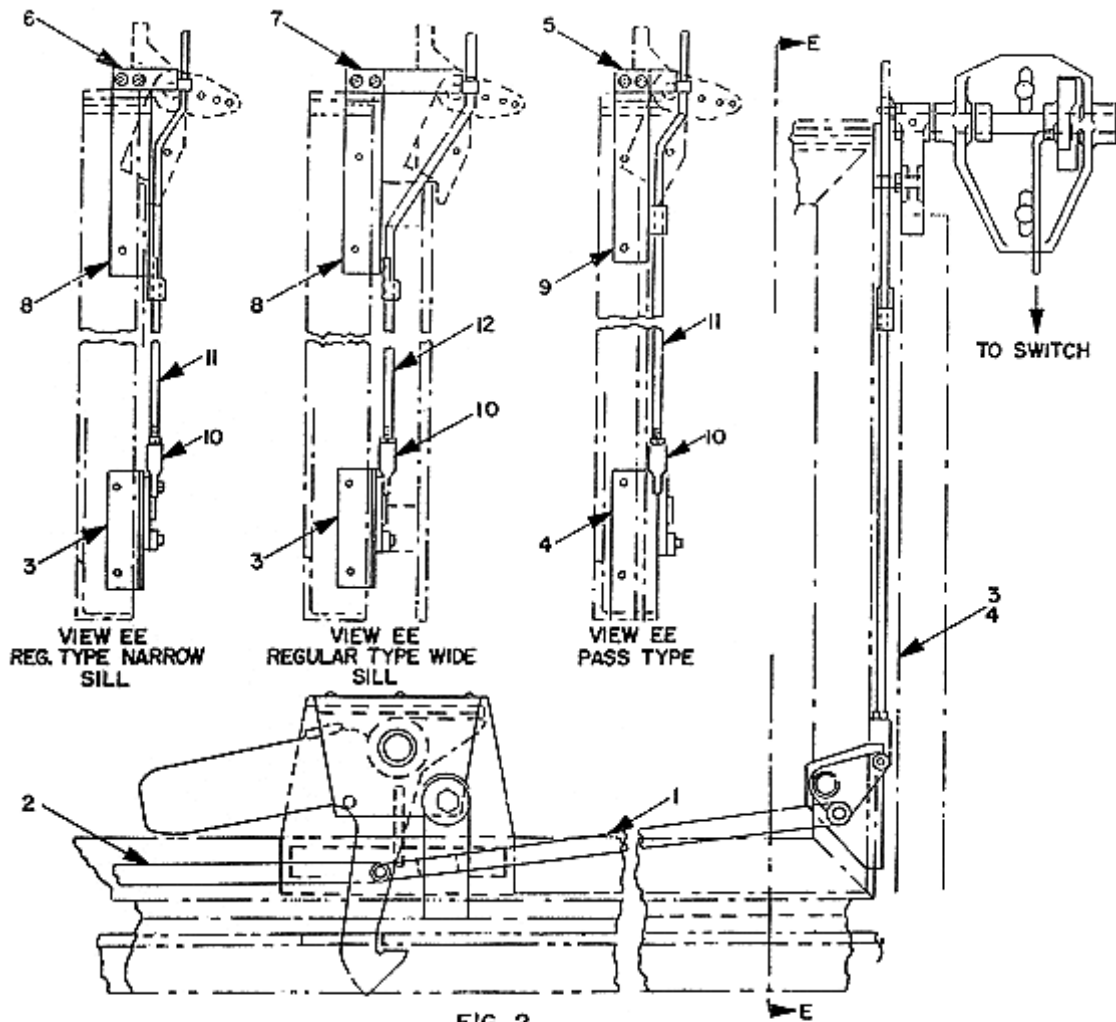


FIG. 2

PARTS FOR 6690B INTERLOCKING DEVICE - (FIG. 2)

(MANUAL OPERATION ONLY)

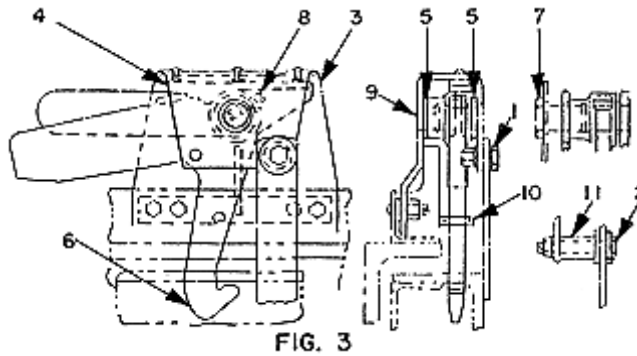
N.L. 6694AP1 AND ORDER FORM 0-1109DS

C-1023 - Manual Operated Vertical Bi-parting Hoistway Doors

Ref. No.	Part No.	Quantity	Description
1	-	1	Bar, (per Dwg. 299HH - specify length)
2	-	1	Bar, with Pin part #77TD1 (per Dwg. 299RK - specify length)(for Service Key Unlocking Device) for Regular Type Narrow and Wide Sill
2	-	1	Bar, with Pin part #77TD1 (per Dwg. 299RK - specify length)(for Service Key Unlocking Device) for Pass Type
3	316AFN1	1	Bracket, with Lever, Pins and Bushing (for Regular Type Narrow and Wide Sill)
4	316BBZ1	1	Bracket, with Lever, Pins and Bushing (for Pass Type)
5	385AZ1	1	Guide (for Pass Type)
6	385AZ2	1	Guide (for Regular Type Narrow Sill)
7	385AZ3	1	Guide (for Regular Type Wide Sill)
8	385FD1	1	Guide (for Regular Type Narrow and Wide Sill)
9	385FE1	1	Guide (for Pass Type)
10	432D2	1	Lug (for Rod #98BY-)
11	-	1	Rod, per Dwg. #98BY, for Regular Narrow Sill and Pass Type (specify type and length)
12	-	1	Rod, per Dwg. #98BY, for Regular Wide Sill (specify type and length)

C-1023 - Manual Operated Vertical Bi-parting Hoistway Doors

Page 5



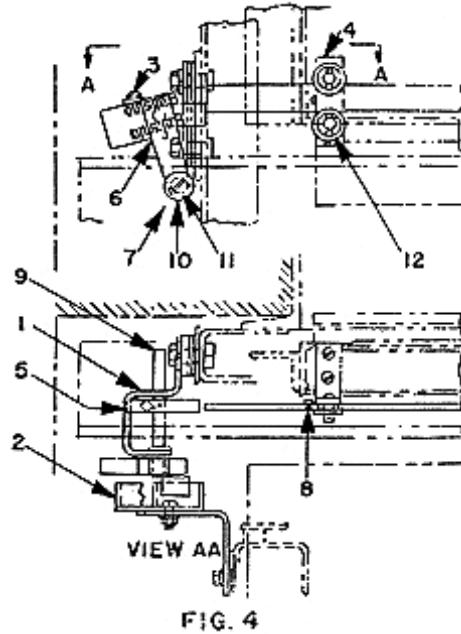
CENTER LATCH - (FIG. 3)

(MANUAL OPERATION)

- ML 6694AM7 - For Regular Type Narrow Sill Doors, Car Switch Control
- ML 6694AM8 - For Pass Type Doors, Car Switch Control
- ML 6694AM9 - For Regular Type Narrow Sill Doors, Automatic Control
- ML 6694AM10 - For Pass Type Doors, Car Automatic Control
- ML 6694AM11 - For Regular Type Wide Sill Doors, Car Switch Control
- ML 6694AM12 - For Regular Type Wide Sill Doors, Automatic Control

Ref. No.	Part No.	Quantity	Description
1	59AZ1	1	Bolt, Shouldered, 1-1/8" long
2	59AZ2	1	Bolt, Shouldered, 2-3/4" long
3	316BBT1	1	Bracket (for Regular Type)
3	316BBT2	1	Bracket (for Pass Type)
4	320AX1	1	Bumper, leather, 3/4" wide, 5-3/4" long (for Bracket)
5	335H2	2	Bushing, Flanged, Oil-less, 1" ID, 3/8" long
6	331AG1	1	Latch, without Pin
6	331AG2	1	Latch, with Pin part #82AG1
7	288GL1	1	Lever, with 2-7/8" long Pin (for Latches with corridor handle)
7	288GL2	1	Lever, with 3-7/16" long Pin (for Latches with corridor handle)
8	81AX22	1	Pin, Roll, 5/16" diam., 1-1/2" long
9	78FA14	1	Pin, 1" diam., 2-1/2" long, steel
10	82AG1	1	Pin, 3/8" diam., 1-7/16" long, steel (for Latch part #331AG2)
11	462BM10	1	Spacer, 1/2" pipe, 1-3/8" long, steel

C-1023 - Manual Operated Vertical Bi-parting Hoistway Doors



SERVICE KEY UNLOCKING DEVICE - (FIG. 4)
(FOR 6690B INTERLOCK)

ML 6694AN-
ML 6694BJ1

Ref. No.	Part No.	Quantity	Description
1	316BBS1	1	Bracket
2	327EF1	1	Cam
3	336CY1	1	Clamp, steel, zinc plated
4	385FF2	1	Guide, with Washers and Pins
-	194T1 <i>Not illustrated.</i>	1	Key, 10-1/4" long OA
5	331AH1	1	Latch, 2-1/8" long
5	A331AH1	1	Latch, 3-1/4" long
6	288GZ2	1	Lever, with weight, bolts, pin, screw and Roller
<i>7 Arrow indicates location, the part itself not showing in the illustration.</i>	81AX15	1	Pin, Roll, 1/8" diam., 3/4" long (Screw to Lever)
8	77TD1	1	Pin, Stop, 1/8" diam., 5/16" long (for Bar #299BK)
9	82AG2	1	Pin, 7/16" diam., 4-3/4" long
10	456BN1	1	Roller, with Bushing, 1" OD, 7/8" long, phenolic
11	124BF1	1	Screw, Slotted Head, 3/8" diam., 1-1/2" long OA
12	133E4	2	Washer, Flanged, 13/32" ID, 1-1/8" OD, 3/8" thick (for Guide part #385FF2)

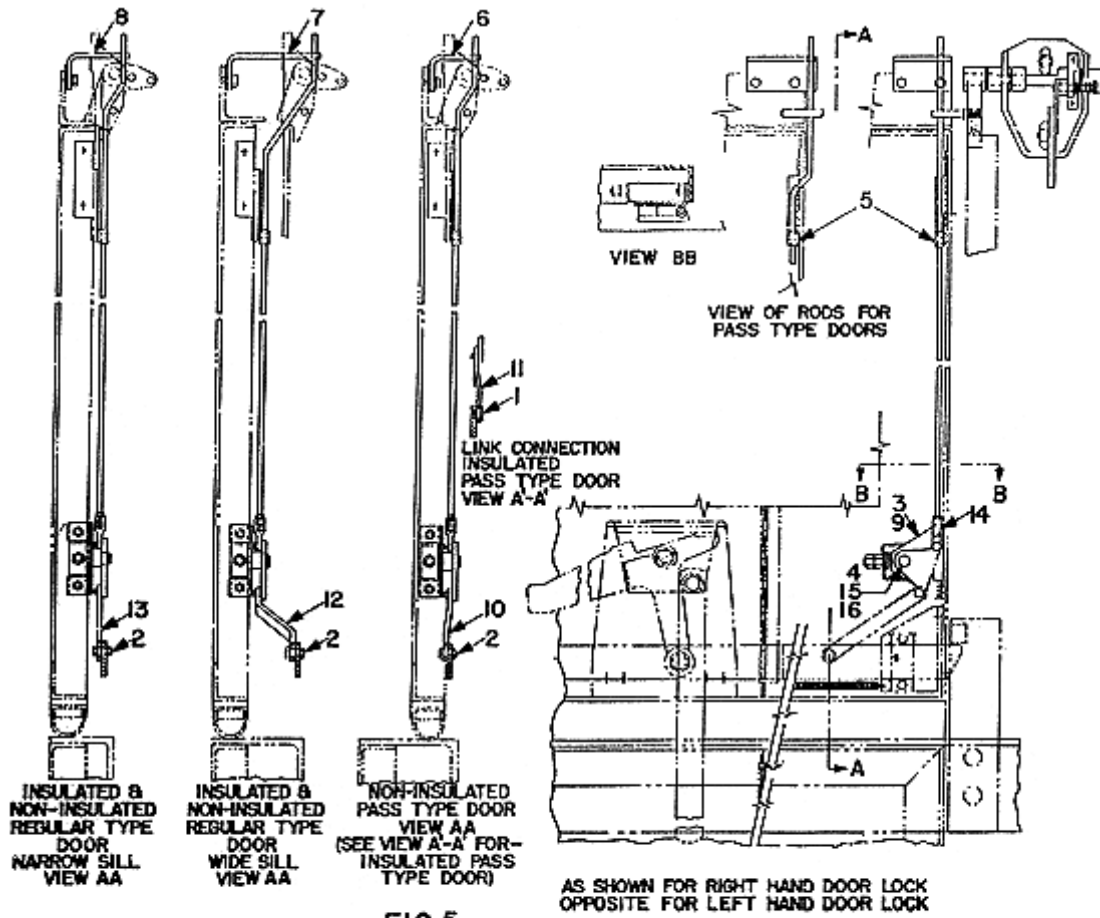


FIG. 5

TYPE 6690B INTERLOCKING DEVICE - (FIG. 5)

AS SHOWN FOR R.H. DOOR LOCK - OPPOSITE FOR L.H. DOOR LOCK

M.L. 6694BG1 AND ORDER FORM 0-1109.051 AND 0-1109.06

C-1023 - Manual Operated Vertical Bi-parting Hoistway Doors

Ref. No.	Part No.	Quantity	Description
1	59E12	1	Bolt, Hex. Head, 7/8" long, OA
2	59AZ1	1	Bolt, Hex. Head, Shouldered, 1-1/8" long OA
3	A316BNF2	1	Bracket, with Lever, Pin, and Ring
4	335E12	1	Bushing, 1/2" ID, 5/8" OD, 25/32" long, Oil-less (for Lever)
5	A385FD1	1	Guide, RH Door Lock
5	A385FD2	1	Guide, LH Door Lock
6	385HN1	1	Guide, (RH Pass Type Doors)
6	385HN2	1	Guide, (LH Pass Type Doors)
7	385HN3	1	Guide, (RH Regular Wide Doors)
7	385HN4	1	Guide, (LH Regular Wide Doors)
8	385HN5	1	Guide, (RH Regular Narrow Doors)
8	385HN6	1	Guide, (LH Regular Narrow Doors)
9	A307AF1	1	Lever, with Pins
10	A430BS1	1	Link (Pass Type Door without insulation, Angle Sill)
10	A430BS2	1	Link (Pass Type Door without insulation, Channel Sill)
11	A430BS2	1	Link (Pass Type Door with insulation, Angle Sill)
12	A430BS3	1	Link (Regular Wide Door, Angle Sill)
12	A430BS4	1	Link (Regular Wide Door, Channel Sill)
13	A430BS5	1	Link (Regular Narrow Door, Angle Sill)
14	432D2	1	Lug (for Rod)
15	77PK1	1	Pin, Pivot, 1/2" diam., 1-1/16" long (Bracket to Lever)
16	172DE11	1	Ring, External Retaining (for Pin)

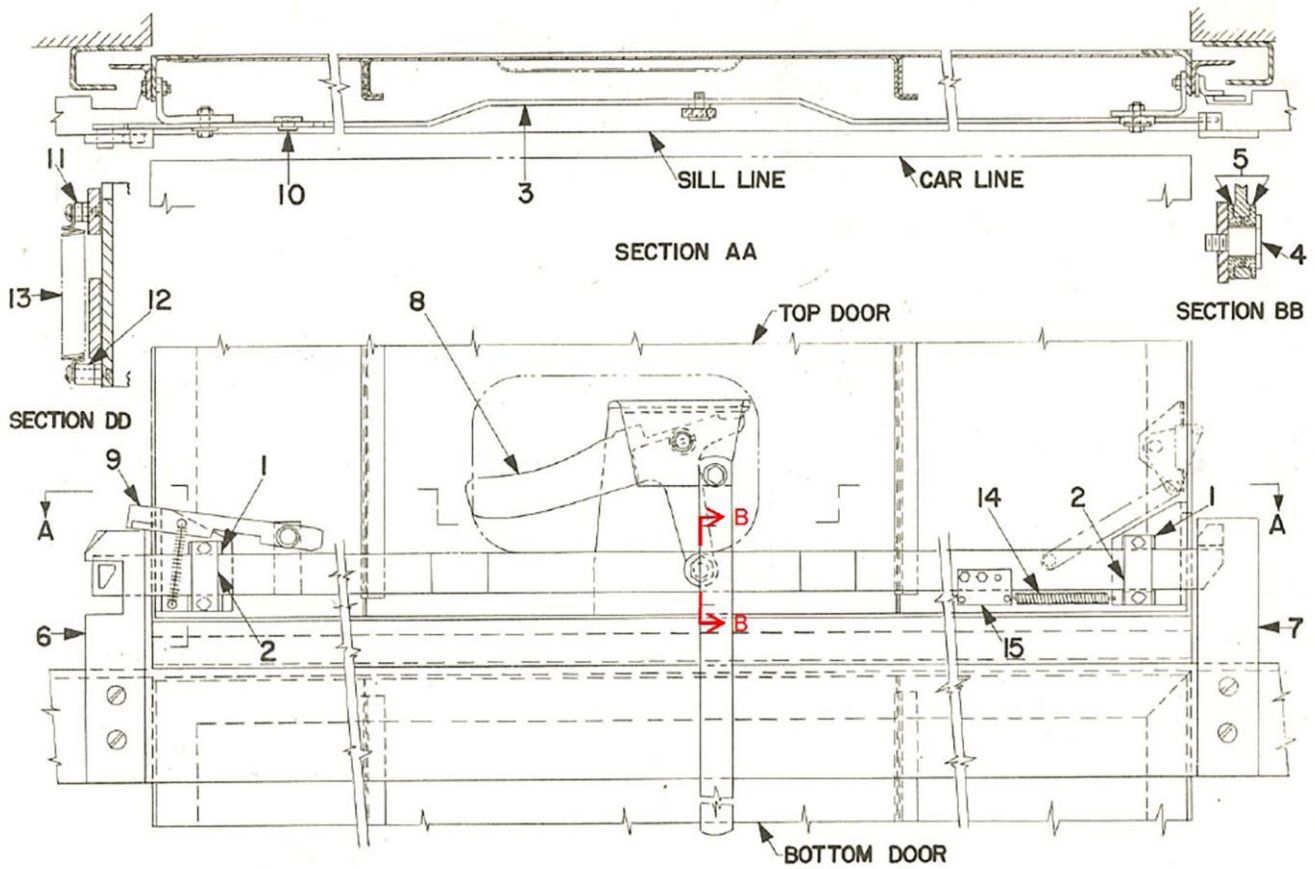


FIG. 6

C-1023 - Manual Operated Vertical Bi-parting Hoistway Doors

TYPE 6694BD SIDE LATCH - (FIG. 6)

(NON-INSULATED DOORS)

Order Form 0-1109.051 And 0-1109.06

Ref. No.	Part No.	Quantity	Description
1	299WL1	4	Bar, 5/8" wide, 1-1/2" long, 5/16" thick
2	299DA13	2	Bar, Clamp, 1-1/4" wide, 3-1/16" long, 1/8" thick
3	-	1	Bar, with Latch - per Dwg. B299TS - Specify length (for R.H. Door Locks)
3	-	1	Bar, with Latch - per Dwg. B299TS - Specify length (for LH Door locks)
4	59E10	1	Bolt, Hex Head, 1-3/8" long
5	334AD1	2	Bushing, Flanged, 11/16" ID, 1-5/8" OD, 5/16" thick, rubber
6	A331AW1	1	Catch, 11" long (for RH Doors - as illustrated)
6	A331AW2	1	Catch, 11" long (for LH Doors - opposite)
7	A331AV1	1	Catch, 11-1/4" long (for RH Doors - as illustrated)
7	A331AV2	1	Catch, 11-1/4" long (for LH Doors - opposite)
8	-	1	Handle, Side Latch, complete (for details see Fig. 7, Page 8)
9	A331AX1	1	Latch, 8-3/4" long (for R.H. Doors - as illustrated)
9	A331AX2	1	Latch, 8-3/4" long (for L.H. Doors - opposite)
10	77CC5	1	Pin, 1" diam. Head, 11/16" long
11	462HA60	1	Spacer, 13/64" ID, 7/16" OD, 5/32" thick
12	462HA61	1	Spacer, 13/64" ID, 7/16" OD, 7/16" thick
13	91B15	1	Spring, Extension, 19/32" OD, 2-7/8" long
14	91E1	1	Spring, Torsion, 1-7/8" ID, 11/16" long
15	298FV1	1	Strip, 1-1/2" wide, 3-1/2" long, 1/8" thick

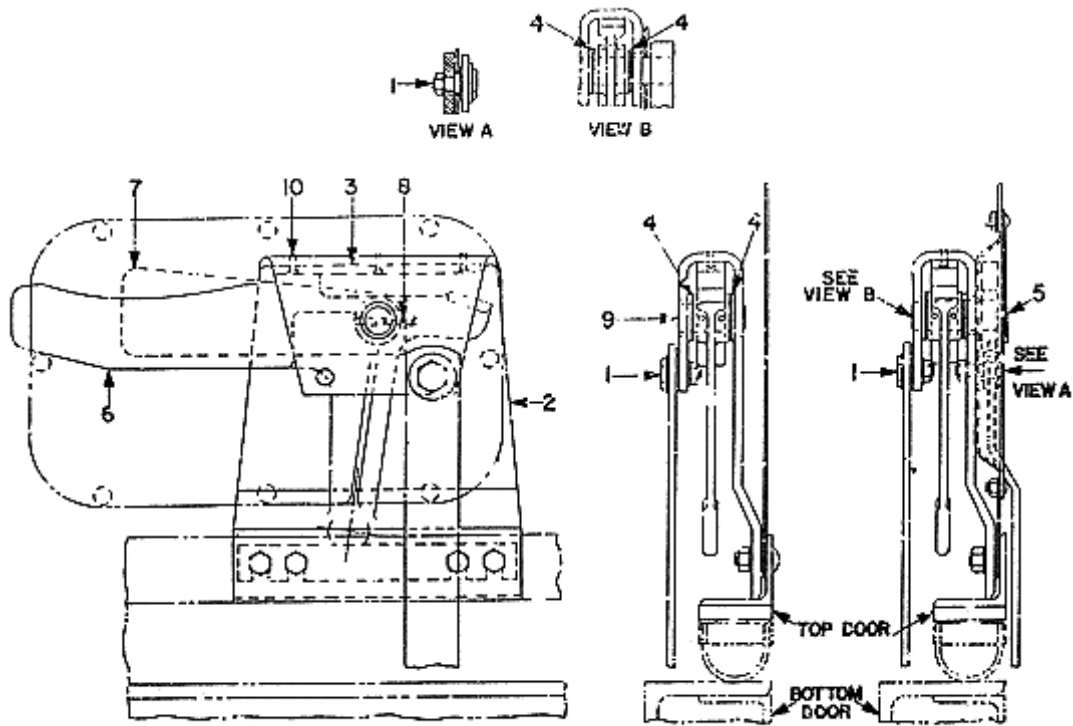
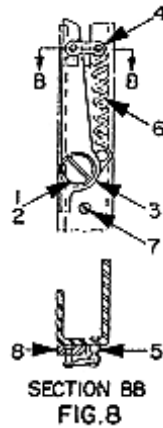


FIG. 7

SIDE LATCH HANDLE - (FIG. 7)

- ML 6694BE1: Without Outer Handle (for RH Door Locks)
- ML 6694BE2: Without Outer Handle (for LH Door Locks)
- ML 6694BE3: With Outer Handle (for RH Door Locks)
- ML 6694BE4: With Outer Handle (for LH Door Locks)

Ref. No.	Part No.	Quantity	Description
1	59AZ1	1	Bolt, Shouldered, Hex. Head, 1-1/8" long OA
2	316BNH1	1	Bracket
3	320AX1	1	Bumper, 3/4" wide, 5-3/4" long, 1/4" thick, leather
4	335H31	1	Bushing, Flanged, Oil-less
5	285AM1	1	Cover, Formed
6	388BE1	1	Handle
7	A388BD3	1	Handle, Outer
8	81AX18	2	Pin, Spring, 3/16" diam., 1-1/4" long
9	78FA18	1	Pin, 3/4" diam., 1-13/16" long
10	144B47	3	Rivet, Tubular, 1/2" long, brass

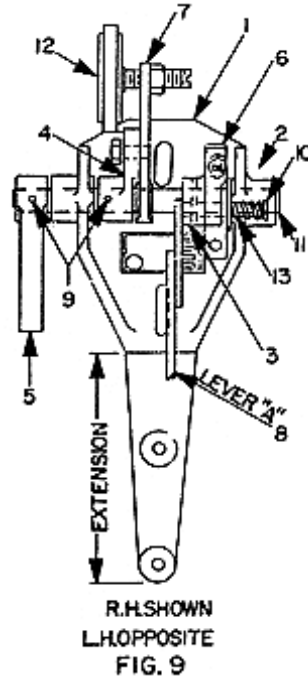


PARTS FOR FIRE LATCH - (FIG. 8)
(FUSIBLE LINK TYPE)

Ref. No.	Part No.	Quantity	Description
1	59AP1	1	Bolt, Shouldered, 1-5/8" long
2	335E30	1	Bushing, Oil-less, 3/4" ID, 7/8" OD, 9/16" long
3	331W2	1	Latch, RH, with Pin and Bushing
3	331W4	1	Latch, LH, with Pin and Bushing
4	430BL1	1	Link, Fusible
5	77EP1	1	Pin, Shouldered, 15/16" long
6	91AD1	1	Spring, Extension, 5/8" OD, 2-7/8" long, 15 active turns
7	96A7	1	Stud, Stop, 3/8" diam., 3/4" long
8	129W12	1	Washer, 9/32" ID, 3/4" OD, 3/32" thick, fibre

NOTE: The quantities shown are for one fire latch.

C-1023 - Manual Operated Vertical Bi-parting Hoistway Doors



PARTS FOR DOOR LOCK - (FIG. 9)

- ML 6690D1 - Type 6690A, without Extension, without Lever "A" - RH Illustrated
- ML 6690D2 - Type 6690A, without Extension, without Lever "A" - LH Opposite
- ML 6690D3 - Type 6690J, with Extension, without Lever "A" - RH Illustrated
- ML 6690D4 - Type 6690J, with Extension, without Lever "A" - LH Opposite
- ML 6690D5 - Type 6690A, without Extension, with Lever "A" - RH Illustrated
- ML 6690D6 - Type 6690A, without Extension, with Lever "A" - LH Opposite

Ref. No.	Part No.	Quantity	Description
1	A316AFG2	1	Bracket, with Bushings (without extension)
1	A316AFG4	1	Bracket, with Bushings (with extension)
<i>2 Arrow indicates location, the part itself not showing in the illustration.</i>	335E49	2	Bushing, Oil-less, 5/8" ID, 7/8" OD, 1-9/32" long (for Brackets)
3	340R10	1	Collar, 19/32" ID, 7/8" OD, 1/2" thick
4	397P1	1	Hub, 5/8" bore
5	A288DM1	1	Lever, 5/8" bore (used with Bracket #A31AFG2)
5	288GN1	1	Lever, 5/8" bore (used with Bracket #A316AFG4)
6	288DR1	1	Lever, Rod (used with 1/4" diam. Rod)
6	288DR2	1	Lever (used with Lever "A")
7	288DP1	1	Lever, Roller
8	-	1	Lever "A" (specify length - per Dwg. 288JK)
9	81AX18	3	Pin, 3/16" diam., 1-1/4" long (for Hub and Levers)
10	77AV5	1	Pin, Shouldered, 3/8" diam., 2-3/8" long OA
11	78FA8	1	Pin, 5/8" diam., 7-7/8" long
12	6037D2	1	Roller, with bearing and pin
13	90YA15	1	Spring, Compression

C-1023 - Manual Operated Vertical Bi-parting Hoistway Doors

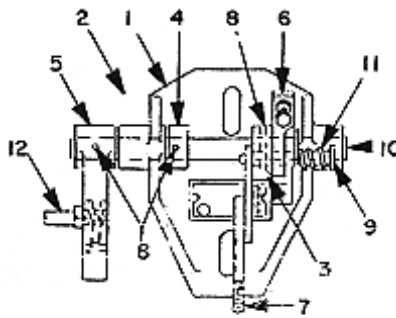


FIG. 10

PARTS FOR TYPE 6690B DOOR LOCK - (FIG. 10)

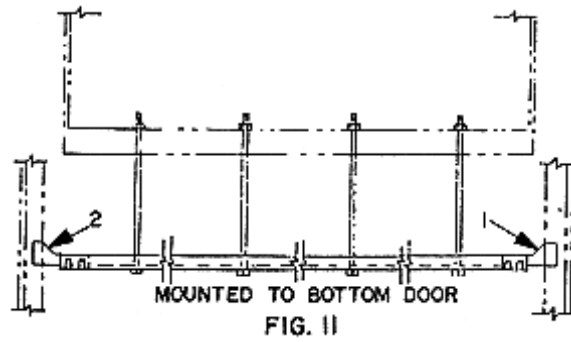
ML 6690T1 - Without Lever "A" - RH Illustrated

ML 6690T2 - With Lever "A" - RH Illustrated

ML 6690T3 - With Lever "A" - LH Opposite

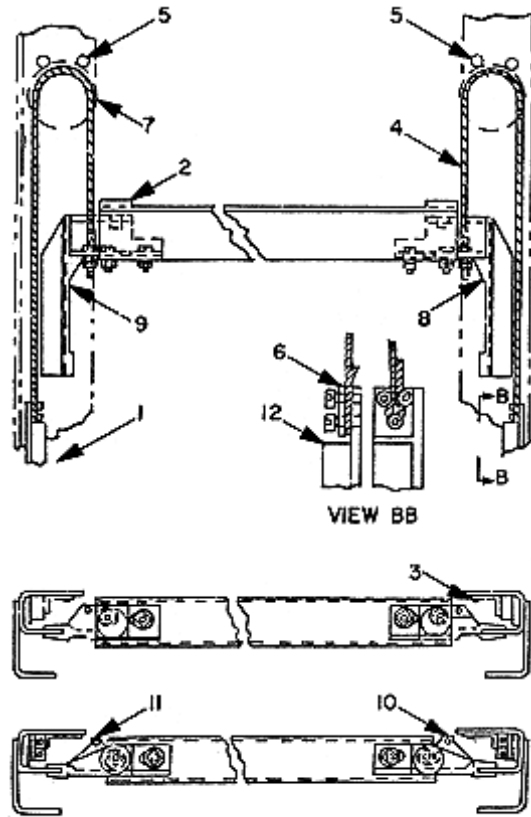
Ref. No.	Part No.	Quantity	Description
1	A316AFG2	1	Bracket, with Bushings
2	335E49	2	Bushing, Oil-less, 5/8" ID, 7/8" OD, 1-9/32" long (for Bracket)
<i>2 Arrow indicates location, the part itself not showing in the illustration.</i>			
3	340R10	1	Collar, 19/32" ID, 7/8" OD, 1/2" thick, steel
4	340R9	1	Collar, 5/8" ID, 1-1/4" OD, 3/4" thick, steel
5	A288GM1	1	Lever, 5/8" bore, 5/16" tap for Pin #96A10
5	288GM1	1	Lever, 5/8" bore, 3/8" tap for Pin #96A8
6	288DR1	1	Lever, Rod (used with 1/4" diam., Rod)
6	288DR2	1	Lever, Rod (used with Lever #288JK1)
7	288JK1	1	Lever, (A) 11" long OA
8	81AX18	3	Pin, Roll, 3/16" diam., 1-1/4" long
9	77AV5	1	Pin, Shouldered, 3/8" diam., 2-3/8" long OA
10	78FA8	1	Pin, 5/8" diam., 7-7/8" long, steel
11	90YA15	1	Spring, Compression
12	96A10	1	Stud, 5/16" diam., 2-5/8" long
12	96A8	1	Stud, 3/8" diam., 2-1/8" long

C-1023 - Manual Operated Vertical Bi-parting Hoistway Doors



LINTEL PARTS - (FIG. 11)

Ref. No.	Part No.	Quantity	Description
1	A237AH1	1	Shoe, Guide, RH
2	A237AH2	1	Shoe, Guide, LH



C-1023 - Manual Operated Vertical Bi-parting Hoistway Doors

COUNTERBALANCED LINTEL - (FIG. 12)

(PASS TYPE DOORS)

ML 6694Z - AND ORDER FORM 0 - 1109D5 AND 0-1109-

Ref. No.	Part No.	Quantity	Description
1 <i>Arrow indicates location, the part itself not showing in the illustration.</i>	320P1	2	Bumper, rubber, 3/4" diam.
2	320P2	2	Bumper, rubber, 1-1/2" diam.
3	B384HJ1	2	Guard, Weight, 3" long, steel
4	392AS1	2	Hitch, with 1/8" galvanized Aircord 7 feet 6" long OA
4	392AS2	2	Hitch, with 1/8" galvanized Aircord, 9 feet 6" long OA
5	77AS2	4	Pin, Shouldered, 11/16" long OA, steel, zinc plated
6	386AKK2	2	Plate, Clamp, 1-1/8" wide, 1-7/16" long, 3/16" thick
7	265BB1	2	Sheave, Ball Bearing, 2-15/16" OD
8	A237AL1	1	Shoe, Guide, RH (Aircord fastened to bottom flange)
9	A237AL2	1	Shoe, Guide, LH (Aircord fastened to bottom flange)
10	B237AL1	1	Shoe, Guide, RH (Aircord fastened to lug on bottom flange)
11	B237AL2	1	Shoe, Guide, LH (Aircord fastened to lug on bottom flange)
12	-	2	Weight, Lintel, per Dwg. A344AK, RH as shown; LH opposite (specify length)

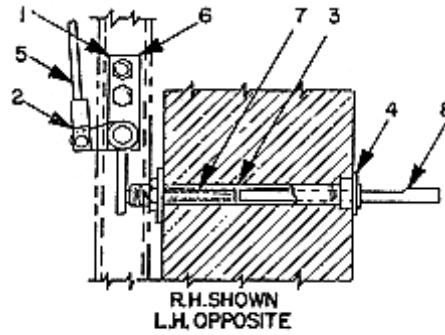


FIG. 13

PARTS FOR EMERGENCY KEY DEVICE - (FIG. 13)

ML 6694AF1 to 4

Ref. No.	Part No.	Quantity	Description
1	316AYY2	1	Bracket, with Lever, Bushing and Pin (for RH Device)
1	316AYY3	1	Bracket, with Lever, Bushing and Pin (for LH Device)
2	432A3	1	Lug, with Pin
3	377AY1	1	Pipe, 3/8" OD, 12-1/2" long
4	386HD3	1	Plate, Escutcheon
5	98AS1	1	Rod, 1/4" diam., 24" long
5	98AS2	1	Rod, 1/4" diam., 38" long
6	255EB30	1	Shim, 1-1/4" wide, 2" long, 3/16" thick
7	377PA10	1	Pipe, Spacer, 1/8" diam., 5" long
8	-	-	Key, Emergency (see Parts for Emergency Key Box)

C-1023 - Manual Operated Vertical Bi-parting Hoistway Doors

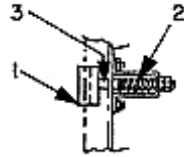


FIG. 14

PARTS FOR DOOR GUIDE SHOE

(FIG. 14)

Ref. No.	Part No.	Quantity	Description
1	A237AJ2	1	Shoe, Door Guide, with Clamp and Screws
2	90KC10	1	Spring, Compression, 1" OD, 3-1/4" long, 10 active turns
3	A96AJ1	1	Stud, Eccentric, 6-3/8" long

C-1023 - Manual Operated Vertical Bi-parting Hoistway Doors

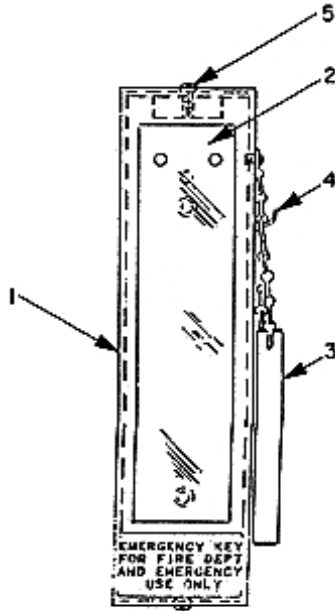


FIG. 15

PARTS FOR EMERGENCY KEY BOX - (FIG. 15)

ML 6471A2

Ref. No.	Part No.	Quantity	Description
1	346JG2	1	Cover, 11-1/2" long (specify finish)
2	443J2	1	Glass, 1-5/8" wide, 11-5/15" long, 1/16" thick
3	387B1	1	Hammer, with Chain and Ring (specify finish)
4	509D1	1	Hook (specify finish)
-	194D2	1	Key, Emergency, 10-1/2" long (see Fig. 13)
5	-	2	Screw, Cross Slot Oval, Ctsk. Hd. Mach., #8-32, 1/2" long (specify finish)