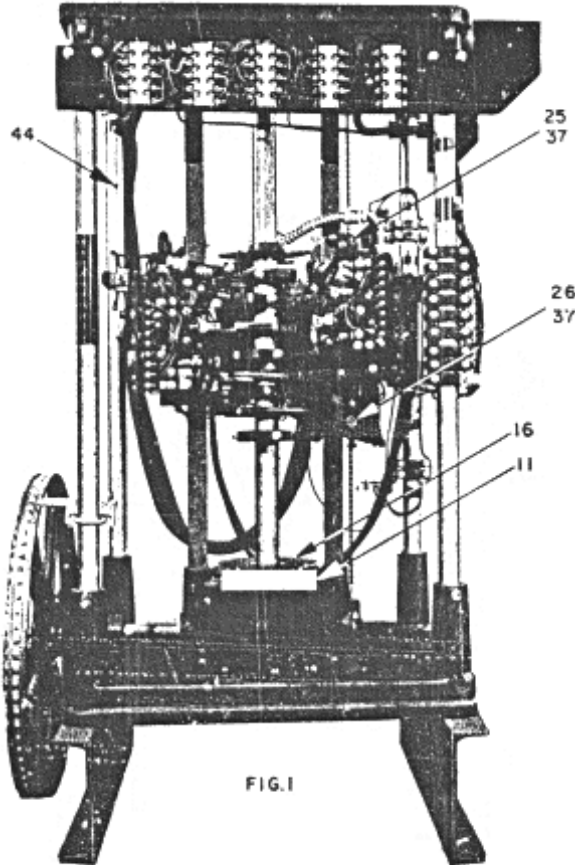


March 15, 1966

Page 1

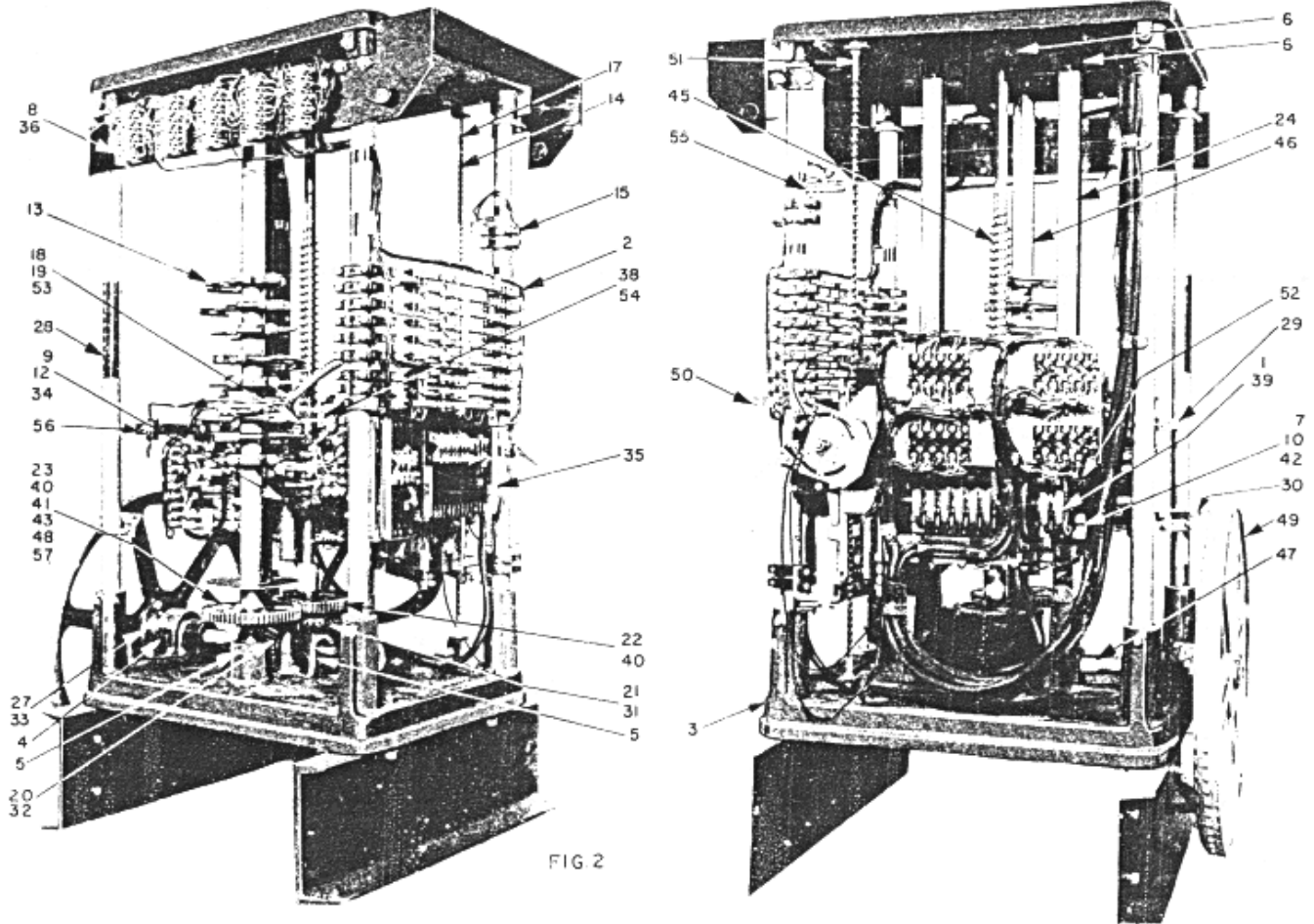
Order Form O.485C-



Typical Illustration

C-1013C - Type 6104AY Selector

Page 2



C-1013C - Type 6104AY Selector

Page 3

TYPE 6104AY SELECTOR - FIG. 1 AND 2

Order Form 0-485C 138:1 Ratio Order Form 0-485C1-2 160:1 Ratio

Ref. No.	Part or M L No.	Quantity	Description
1	6104AX1	1	Advancer, Type "B" Brush, complete (for details, see Fig. 3)
1	A6104AX1	1	Advancer, Type "B" Brush, complete (for details, see Fig. 3A)
2	-	-	Bar, Floor, complete (for details, see Fig. 13)
3	<i>If necessary to order, give Name, Description, Selector Serial Number and Elevator Sales Number.</i>	1	Base, Selector
<i>4 Arrow indicates location, the parts themselves not showing in the illustration.</i>	207AN1	1	Bearing, Ball, 1-1/8" ID, 2.834 OD (for Drive Shaft Sprocket Slide)
<i>4 Arrow indicates location, the parts themselves not showing in the illustration.</i>	207BD1	1	Bearing, Ball, 1-1/8" ID, 2.440" OD (for Drive Shaft Sprocket Slide)
<i>5 Arrow indicates location, the parts themselves not showing in the illustration.</i>	207AG3	2	Bearing, Ball (for Base end of Cam Shaft and Lead Screw)
<i>6 Arrow indicates location, the parts themselves not showing in the illustration.</i>	207Z43	3	Bearing, Ball (for Top end of Cam Shaft and Lead Screw - also for Drive Shaft)
<i>7 Arrow indicates location, the parts themselves not showing in the illustration.</i>	207AA3	2	Bearing, Ball (for Roller Bracket)
8	303H1	5	Board, 18 stud Terminal, with screws
9	59BN1	1	Bolt, Stop (for Split Nut)
10	316BRG2	2	Bracket, Roller, with Ball Bearing and Pin (for Cross-head)
11 See Fig. 1.	316BPT2	1	Bracket, with Indicator
<i>12 Arrow indicates location, the parts themselves not showing in the illustration.</i>	321CM1	1	Bushing, Guide (for Split Nut)

C-1013C - Type 6104AY Selector

-	327HT2	<i>If necessary to order, give Name, Description, Selector Serial Number and Elevator Sales Number.</i>	Cam, Aux. Stop Switch (see Fig. 3 and Fig. 3A)
13	327GD2	<i>If necessary to order, give Name, Description, Selector Serial Number and Elevator Sales Number.</i>	Cam, Micro (used with "O" and "AB" operators)
13	327GD3	<i>If necessary to order, give Name, Description, Selector Serial Number and Elevator Sales Number.</i>	Cam, Micro (used with 6970A operators)
14	332Y1	1	Chain, #65, 1/8" wide, 1/2" pitch, 39-1/2" long
14	332Y2	1	Chain, #65, 1/8" wide, 1/2" pitch, 48-1/2" long
14	332Y3	1	Chain, #65, 1/8" wide, 1/2" pitch, 55-1/2" long
14	332Y4	1	Chain, #65, 1/8" wide, 1/2" pitch, 66-1/2" long
14	332Y5	1	Chain, #65, 1/8" wide, 1/2" pitch, 75-1/2" long
14	332Y6	1	Chain, #65, 1/8" wide, 1/2" pitch, 85-1/2" long
14	332Y7	1	Chain, #65, 1/8" wide, 1/2" pitch, 97-1/2" long
15	336EJ4	4	Clamp, complete (for mounting Limit Switches)
15	336FT1	4	Clamp (for mounting Limit Switches)
15	336FV2	4	Clamp (for mounting Limit Switches)
16 See Fig. 1.	340AX2	1	Collar, with Indicator (ratio 138: 1) and set screw (for Cam Shaft)
16 See Fig. 1.	340AX7	1	Collar, with Indicator (ratio 160: 1) and set screw (for Cam Shaft)
17	-	2	Connector, Chain (for Chain)
18	A348P1	1	Crosshead
19 Arrow indicates location, the parts themselves not showing in the illustration.	435B2	1	Fitting (for Crosshead)
20	202AE2	1	Gear, Bevel, 30 teeth (for Drive Shaft)

C-1013C - Type 6104AY Selector

21	202AD1	1	Gear, Bevel, 34 teeth (for Lead Screw)
22	205G1	1	Gear, Spur, 49 teeth (for Lead Screw)
23	A6104AW1	1	Gear, Split, 59 teeth, complete (for Cam Shaft)
24	<i>If necessary to order, give Name, Description, Selector Serial Number and Elevator Sales Number.</i>	2	Guide, Crosshead, 43" long
24	<i>If necessary to order, give Name, Description, Selector Serial Number and Elevator Sales Number.</i>	2	Guide, Crosshead, 51-7/8" lg.
24	<i>If necessary to order, give Name, Description, Selector Serial Number and Elevator Sales Number.</i>	2	Guide, Crosshead, 69-3/4" lg.
24	<i>If necessary to order, give Name, Description, Selector Serial Number and Elevator Sales Number.</i>	2	Guide, Crosshead, 79-3/8" lg.
24	<i>If necessary to order, give Name, Description, Selector Serial Number and Elevator Sales Number.</i>	2	Guide, Crosshead, 89-3/8" long
24	<i>If necessary to order, give Name, Description, Selector Serial Number and Elevator Sales Number.</i>	2	Guide, Crosshead, 101-1/8" long
25 See Fig. 1.	6104BE1	2	Guide, Roller, complete (for details, see Fig. 4)
26 See Fig. 1.	6104BE2 For replacement order Part # 6104BE3.	2	Guide, Roller, complete (for details, see Fig. 5)
26 See Fig. 1.	6104BE3	1	Guide, Roller, complete (for details, see Fig. 5A)
27	397Z1	1	Hub, Sprocket
28	269AK1	1	Indicator (mounted on Support Rod)
29	269AL1	1	Indicator (Pointer)(for Indicator #269 AK1)

C-1013C - Type 6104AY Selector

30	269AL2	1	Indicator, Tape
-	269T3	2	Indicator, Floor Bar Setting (see Fig. 14)
31 <i>Arrow indicates location, the parts themselves not showing in the illustration.</i>	192G20	1	Key, 1/4" square, 1-1/4" long (for Gear #202AD1)
32 <i>Arrow indicates location, the parts themselves not showing in the illustration.</i>	192G123	1	Key, 1/4" square, 1-3/4" long (for Gear #202AE2)
33 <i>Arrow indicates location, the parts themselves not showing in the illustration.</i>	192G124	1	Key, 1/4" square, 2" long (for Hub)
34	6104BL1	1	Nut, Split, babbitted, complete
35	-	1	Panel, Crosshead, complete (for details, see Fig. 14)
36	102CD1	5	Plate, Marking (for Terminal Board)
37 <i>See Fig. 1.</i>	81AX6	4	Pin, Spring, 1/8" dia., 5/8" long (for Roller Guides)
38 <i>Arrow indicates location, the parts themselves not showing in the illustration.</i>	81AX15	2	Pin, Spring, 1/8" dia., 3/4" long (for Leveling Switch)
39 <i>Arrow indicates location, the parts themselves not showing in the illustration.</i>	81AX26	2	Pin, Spring, 5/32" dia., 5/8" long (for Advancer)
40 <i>Arrow indicates location, the parts themselves not showing in the illustration.</i>	80D78	2	Pin, #6 Taper, 2" long (for Gears #205G1 & A6104AW1)
41 <i>Arrow indicates location, the parts themselves not showing in the illustration.</i>	77JP3	1	Pin, 3/16" dia., 2-1/16" long (for Split Gear)
42	77PW2	2	Pin, 1/2" dia., 1-5/8" long (for Roller Bracket)
43 <i>Arrow indicates location, the parts themselves not showing in the illustration.</i>	172DR9	2	Ring, External Retaining (for Split Gear)
44 <i>See Fig. 1.</i>	96H25	2	Rod, 5/16" dia., 5" long threaded
45	125P1	1	Screw, Lead, 43-3/4" long
45	125P2	1	Screw, Lead, 52-5/8" long
45	125P3	1	Screw, Lead, 59-5/8" long
45	125P4	1	Screw, Lead, 70-1/2" long
45	125P5	1	Screw, Lead, 80-1/8" long
45	125P6	1	Screw, Lead, 90-1/8" long
45	125P7	1	Screw, Lead, 101-7/8" long
46	494GP1	1	Shaft, Cam, 43-3/4" long

C-1013C - Type 6104AY Selector

46	494GP2	1	Shaft, Cam, 52-5/8" long
46	494GP3	1	Shaft, Cam, 59-5/8" long
46	494GP4	1	Shaft, Cam, 70-1/2" long
46	494GP5	1	Shaft, Cam, 80-1/8" long
46	494GP6	1	Shaft, Cam, 90-1/8" long
46	494GP7	1	Shaft, Cam, 101-7/8" long
47	494GR1	1	Shaft, Drive, 24-9/16" long
48	90YA13	1	Spring, 7/16" ID, 1-1/8" lg., 6 active turns (for Split Gear)
49	195EB1	1	Sprocket, Tooth Tape, 78 teeth
49	195FH1	1	Sprocket, Tooth Tape, 90 teeth
50	477DJ1	2	Stop (for Floor Bar Clamps at first floor)
51	95AN1	2	Stud, 2-3/8" long
52	6104AR1 <i>Required for Selectors manufactures prior to late 1960 only.</i>	1	Switch, Aux. Stopping, complete (for details, see Fig. 6)
53 <i>Arrow indicates location, the parts themselves not showing in the illustration.</i>	6809C1	1	Switch, Door Zone, complete (for details, see Fig. 12)
54	6104BF1	2	Switch, Leveling, complete (for details, see Fig. 8)
55	6104AS1	2	Switch, Limit, complete (for details, see Fig. 7)
56	6599A5	1	Switch, Toggle
57	133A2	2	Washer, Spring Seat (for Split Gear)
-	811156	1	Wrench, "T" Handle Socket

C-1013C - Type 6104AY Selector

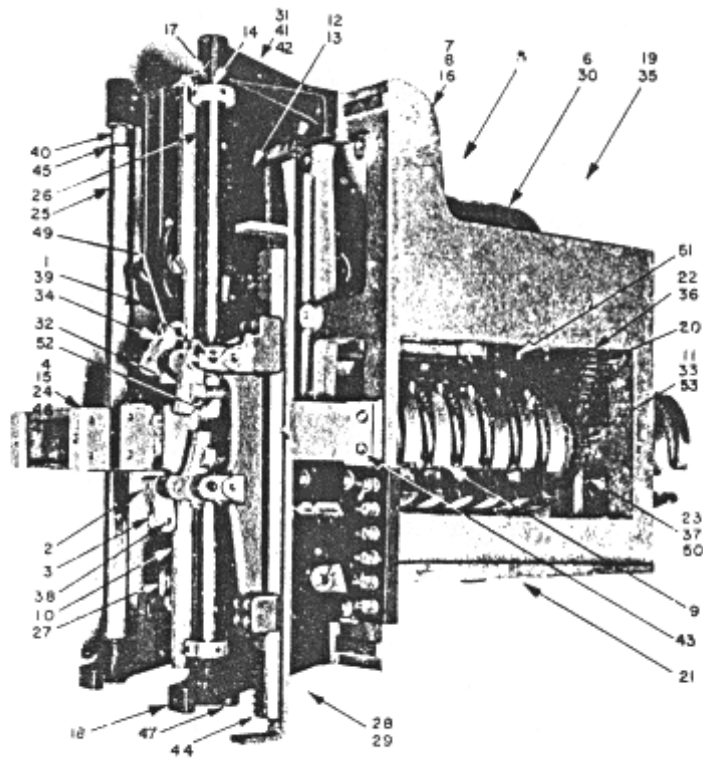


FIG. 3

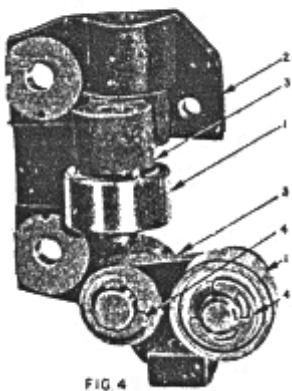


FIG. 4

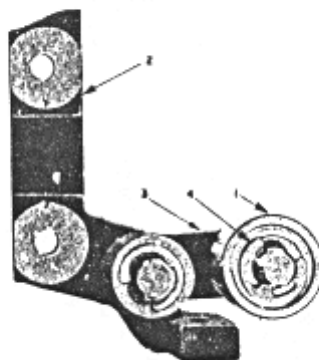


FIG. 5

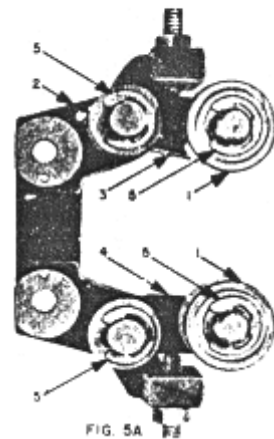


FIG. 5A

C-1013C - Type 6104AY Selector

Page 5

TYPE "B" BRUSH ADVANCER - FIG. 3
ML 6104AX1

Ref. No.	Part or MLNo.	Quantity	Description
1	288KY2	1	Arm, Magnet, with Pin
2	288KX2 Arm, Pawl, & Shaft not furnished separately, for replacement use #439Y2 for Upper Pawl assembly and #439Y3 for Lower Pawl assembly.	2	Arm, Roller (with Bearing, Pin, and Washers)
3	207Z29	2	Bearing, Ball (for Arm #288KX2)
4	212R1	2	Bearing, Ball Bushing (for Frame #374KM2)
4	<i>Arrow indicates location, the parts themselves not showing in the illustration.</i>		
5	303H1	4	Board, 18 stud Terminal
5	<i>Arrow indicates location, the parts themselves not showing in the illustration.</i>		
6	186142	2	Brush, Motor
6	<i>Arrow indicates location, the parts themselves not showing in the illustration.</i>		
7	21AA1	2	Bushing, Oilite, 3/8" I.D ., 1/2" long (for Frame #374BP2)
7	<i>Arrow indicates location, the parts themselves not showing in the illustration.</i>		
8	321AA2	4	Bushing, Oilite, 1/2" ID, 1/2" long (for Frame #374BP2)
8	<i>Arrow indicates location, the parts themselves not showing in the illustration.</i>		
-	174E1	1	Cable, 7 conductor (front connection)
9	181917	12	Cam, Stopping Switch, with cap and screws
10	327FS2	1	Cam, Retiring, with Pins
11	-	1	Chain, Type 5-B-2 Ladder, 1/4" pitch, 1/8" wide, 18" long
12	336FS2	1	Clamp, Spool (for Coil)
12	<i>Arrow indicates location, the parts themselves not showing in the illustration.</i>		
13	136224	1	Coil, Pawl Magnet

C-1013C - Type 6104AY Selector

14	340AV2	2	Collar, Stop, 1/2" ID, 1-1/8" OD, 3/8" thick
15	374KM2	1	Frame, Advancer, with Bearing, Seals and Rings
16	374BP2	1	Frame, Brush Advancer, with Bushings
17	374JR2	1	Frame, Guide Support, with Pin (Upper)
18	374JP2	1	Frame, Guide Support, with Pin (Lower)
19 <i>Arrow indicates location, the parts themselves not showing in the illustration.</i>	A201BX1	1	Gear, Pinion, 12 teeth (for Motor)
20	201CV1	2	Gear, Pinion, 15 teeth
21 <i>Arrow indicates location, the parts themselves not showing in the illustration.</i>	205J1	1	Gear, Pinion, 58 teeth
22	201CJ1	1	Gear, Spur, 71 teeth, 3/8" hole (for Shaft #494GL1)
23	201CJ2	1	Gear, Spur, 71 teeth, 1/2" hole (for Shaft #494GF2)
24 <i>Arrow indicates location, the parts themselves not showing in the illustration.</i>	380AS1	2	Gib, 9/16" wide, 1-5/8" long, bronze
25	385GN1	1	Guide, 1/2" square, 14-1/2" lg.
26	385GX1	1	Guide, Ball Bushing
27	288KH1	1	Lever
28 <i>Arrow indicates location, the parts themselves not showing in the illustration.</i>	430CP2	1	Link, Operating, with Pin, 2-1/8" between centers
29 <i>Arrow indicates location, the parts themselves not showing in the illustration.</i>	430CV2	1	Link, Operating, with Pin, 9-1/8" between centers
30	A6333G1	1	Motor, with Gear and Plate
30	A6333E1	1	Motor, less Gear and Plate
31 <i>Arrow indicates location, the parts themselves not showing in the illustration.</i>	72CP1	1	Nut, 3/4" Hex. Lock

C-1013C - Type 6104AY Selector

32	439Y1 Arm, Pawl, & Shaft <i>not furnished separately, for replacement use #439Y2 for Upper Pawl assembly and #439Y3 for Lower Pawl assembly.</i>	2	Pawl, bronze
33 <i>Arrow indicates location, the parts themselves not showing in the illustration.</i>	78T10	1	Pin, Chain, .082" dia., 5/16" lg.
34	81AX6	5	Pin, Spring, 1/8" dia., 5/8" lg. (for Arm #181901, Gear #201CV1 and Pawls
35 <i>Arrow indicates location, the parts themselves not showing in the illustration.</i>	81AX17	1	Pin, Spring, 3/32" dia., 1/2" long (for Gear to Motor)
36 <i>Arrow indicates location, the parts themselves not showing in the illustration.</i>	81AX15	1	Pin, Spring, 1/8" dia., 3/4" long (for Gear #201CJ1)
37 <i>Arrow indicates location, the parts themselves not showing in the illustration.</i>	81AX16	1	Pin, Spring, 5/32" dia., 3/4" long (for Gear #201CJ2)
38	77NN4	2	Pin, Roller, 1/4" dia., 3/4" long (for Arm #288KX2)
-	82A59	1	Pin, Pulley, 1/4" dia., 2-7/16" long (for Pulley)
39 <i>Arrow indicates location, the parts themselves not showing in the illustration.</i>	79AA8	1	Pin, Magnet Arm Pivot, 5/16" dia., 2-13/16" long
40	78AH1	1	Pin, Guide, 3/8" dia., 3-5/32" long (for Guide #385GN1)
41	77DP1	1	Pin, (Movable Core), 7/8" dia., 2-7/8" long
42	77DR1	1	Pin (Stationary Core), 1" dia., 4-3/4" long
43	272A1	1	Pointer
-	198P1	1	Pulley, Chain
44	451E1	1	Rack, 60 teeth, 12" long
45	172DR4	2	Ring, External Retaining (for Pin #78AH1)

C-1013C - Type 6104AY Selector

46 Arrow indicates location, the parts themselves not showing in the illustration.	172CY13	2	Ring, Internal Retaining (for Frame #374KM2)
47	59BM1	1	Screw, Adjusting
48 Arrow indicates location, the parts themselves not showing in the illustration.	33F1	2	Seal, Oil (for Frame # 374KM2)
49	78FA27 Arm, Pawl, & Shaft not furnished separately, for replacement use #439Y2 for Upper Pawl assembly and #439Y3 for Lower Pawl assembly.	2	Shaft, Pawl, 5/16" dia., 3-1/2" long
50 Arrow indicates location, the parts themselves not showing in the illustration.	494GF2	1	Shaft, Cam, 1/2" dia., 15-11/16" long, with Gear #201CJ2
51	494GL1	1	Shaft, Reduction, 3/8" dia., 3-13/16" long
52	90VA13	2	Spring, 3/8" OD, 1-11/16" long, 20 active turns
53	195FJ1	1	Sprocket, 32 teeth
-	6104BK1	1	Switch, Motor Control, complete (for details, see Fig. 10)
-	181946	1	Switch, Brush Advancer Stopping, complete (for details, see Fig. 9)
-	B6104Z1 Not available, for replacement use B6104Z2 plus (1) #456CJ1 Roller, (1) #438AR1 Panel, (1) #77DT1 Pin.	1	Switch, Stop Control, complete (for details, see Fig. 11)
-	344Z1	1	Weight (Counterbalance), lead

ROLLER GUIDE - FIG. 4
ML 610 4BE1

Ref. No.	Part No.	Quantity	Description
1	207AA3	2	Bearing, Ball
2	385GY2	1	Guide, Roller, with Pins
3	180AH2	2	Holder, Roller, with Pin
4	172DR2	4	Ring, External Retaining

C-1013C - Type 6104AY Selector

ROLLER GUIDE - FIG. 5
M L 6104BE2 s

Ref. No.	Part No.	Quantity	Description
1	207AA3	1	Bearing, Ball
2	385JN4+	1	Guide, Roller, with Pin
3	180AH2	1	Holder, Roller, with Pin
5	172DR2	2	Ring, External Retaining

s Complete assembly not available, for replacement order Part #6104BE3.

ROLLER GUIDE - FIG. 5A
ML 6104BE3-

Ref. No.	Part No.	Quantity	Description
1	207AA3	2	Bearing, Ball
2	385JN2	1	Guide, Roller, with Pins
3	180AH2	1	Holder, Roller, with Pin
4	180AH3	1	Holder, Roller, with Pin
5	172DR2	4	Ring, External Retaining

C-1013C - Type 6104AY Selector

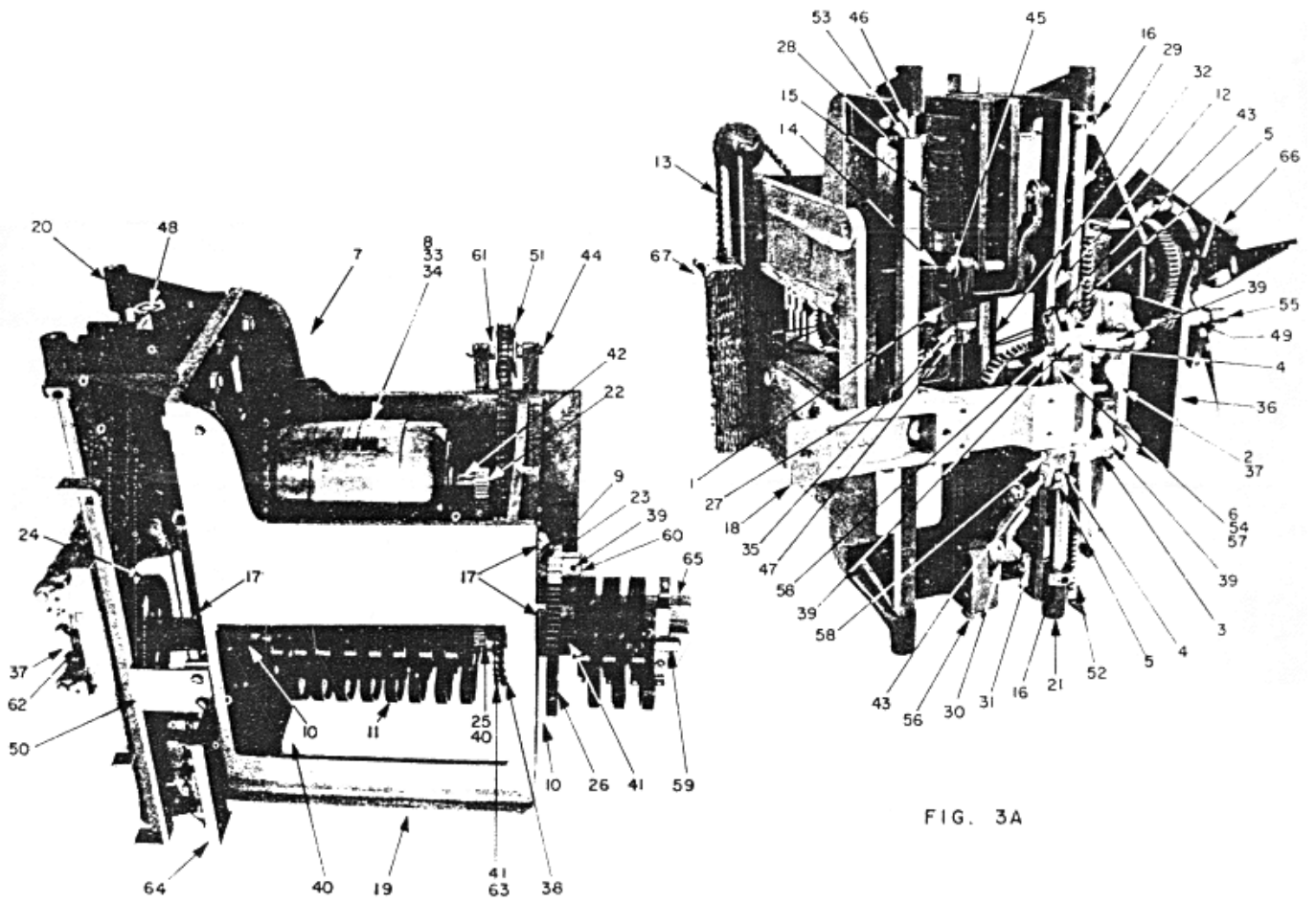


FIG. 3A

C-1013C - Type 6104AY Selector

Page 7

TYPE "B" BRUSH ADVANCER - FIG. 3A
ML A6104AX1

Ref. No.	Part or MLNo.	Quantity	Description
1	288KY2	1	Arm, Magnet, with Pin
2	439Y2	1	Arm, Roller, upper, assembly of Arm, Shaft, and Pawl
3	439Y3	1	Arm, Roller, Lower, assembly of Arm, Shaft, and Pawl
4	288KX2	2	Arm, Roller (for Upper & Lower Roller Arm Assembly)
5	207Z29	2	Bearing, Ball (for Arm #288KX2)
6 <i>Arrow indicates location, the parts themselves not showing in the illustration.</i>	212R1	2	Bearing, Ball Bushing (for Frame #374KM2)
7 <i>Arrow indicates location, the parts themselves not showing in the illustration.</i>	303H1	4	Board, 18 stud Terminal
8 <i>Arrow indicates location, the parts themselves not showing in the illustration.</i>	186142	2	Brush, Motor
9 <i>Arrow indicates location, the parts themselves not showing in the illustration.</i>	321AA1	2	Bushing, Oilite, 3/8" ID, 1/2" lg. (for Frame #A374BP2)
10 <i>Arrow indicates location, the parts themselves not showing in the illustration.</i>	321AA2	4	Bushing, Oilite, 1/2" ID, 1/2" lg. (for Frame #A374BP2)
<i>Not Illustrated</i>	174BF1	2	Cable, 10 conductor (front and rear connection)
11	327HT2	16	Cam, Stopping Switch, with cap and screws
12	327FS2	1	Cam, Retiring with Pins
13	332BB1	1	Chain, Type 5-B-2 Ladder, 1/4" pitch, 1/8" wide, 18" long
14 <i>Arrow indicates location, the parts themselves not showing in the illustration.</i>	336FS2	1	Clamp, Spool (for Coil)
15	136224	1	Coil, Pawl Magnet
16	340AV2	2	Collar, Stop, 1/2" ID, 1-1/8" OD, 3/8" thick
17	435AM1	3	Fitting, Lubricator
18	374KM2	1	Frame, Advancer with Bearing, Seals and Rings
19	A374BP2	1	Frame, Brush Advancer, with Bushings
20	374JR2	1	Frame, Guide Support, with Pin (Upper)
21	374JP2	1	Frame, Guide Support, with Pin (Lower)

C-1013C - Type 6104AY Selector

22	A201BX1	1	Gear, Pinion, 12 teeth (for Motor)
23	201CV1	1	Gear, Pinion, 15 teeth
24	205J1	1	Gear, Pinion, 58 teeth
25	201CJ1	1	Gear, Spur, 71 teeth, 3/8" hole (for Shaft #494GL1)
26	201CJ3	1	Gear, Spur, 71 teeth, 1/2" hole (for Shaft #494GF4)
27	380AS1	2	Gib, 9/16" wide, 1-5/8" long, bronze
28	385GN1	1	Guide, 1/2" square, 14-1/2" long
29	385GX1	1	Guide, Ball Bushing
30	288KH1	1	Lever
31	430CP2	1	Link, Operating, with Pin, 2-1/8" between centers
32	430CV2	1	Link, Operating, with Pin, 9-1/8" between centers
33	A6333G1	1	Motor, with Gear and Plate
34	A6333E1	1	Motor, less Gear and Plate
35	72CP1	1	Nut, 3/4" Hex, Lock
36	438AR1	1	Panel, 2-3/8" wide, 4-7/8" lg., 1/4" thick, Phenolic
37	439Y1	2	Pawl, bronze (for Upper and Lower Roller Arm Assembly)
38 <i>Arrow indicates location, the parts themselves not showing in the illustration.</i>	78T10	1	Pin, Chain, .082" dia., 5/16" lg.
39	81AX6	5	Pin, Spring, 1/8" dia., 5/8" lg. (for Arms #439Y2 & #439Y3 and Gear #201CV1)
40 <i>Arrow indicates location, the parts themselves not showing in the illustration.</i>	81AX15	6	Pin, Spring, 1/8" dia., 3/4" lg. for Gear #201CJ1 and Frame)
41 <i>Arrow indicates location, the parts themselves not showing in the illustration.</i>	81AX16	2	Pin, Spring, 5/32" dia., 3/4" lg. (for Gear #201CJ3 & Sprocket)
42	81AX17	1	Pin, Spring, 3/32" dia., 1/2" long (Gear #A201BX1)
43	77NN4	2	Pin, Roller, 1/4" dia., 3/4" long (for Arm #288KX2)
44	82A59	1	Pin, Pulley, 1/4" dia., 2-7/16" long (for Pulley)
45	79AA8	1	Pin, 5/16" dia., 2-13/16" long (for Magnet Arm #28 8KY2)
46	78AH1	1	Pin, Guide, 3/8" dia., 3-5/8" long (for Guide #385GN1)
47	77DP1	1	Pin, Shouldered (Moveable Core) 7/8" dia., 2-7/8" long
48	77DR1	1	Pin, Shouldered (Stationary Core) 1" dia., 4-3/4" long
49	77DT1	1	Pin, Shouldered, 2-7/8" long (for Roller #456CJ1)
50	274A1	1	Pointer
51	198P1	1	Pulley, Chain

C-1013C - Type 6104AY Selector

52	451E1	1	Rack, 60 teeth, 12" long
53	172DR4	2	Ring, Retaining (for Pin #78AH1)
54 <i>Arrow indicates location, the parts themselves not showing in the illustration.</i>	172CY13	2	Ring, Retaining (for Frame #374KM2)
55	456CJ1	1	Roller, Contact, carbon
56	59BM1	1	Screw, Adjusting
57 <i>Arrow indicates location, the parts themselves not showing in the illustration.</i>	33F1	2	Seal, Oil (for Frame #374KM2)
58	78FA27	2	Shaft, Pawl, 5/16" dia., 3-1/2" long
59	494GF4	1	Shaft, Cam, 1/2" dia., 16-5/8" long, with Gear #201CJ3
60	494GL1	1	Shaft, Reduction, 3/8" dia., 3-13/16" long
61	462HA20	2	Spacers, 1/2" OD, 11/64" lg. (for Pulley), steel
62	90VA13	2	Spring, 3/8" OD, 1-11/16" long, 20 active turns
63	195FJ1	1	Sprocket, 32 teeth
64	6104BK1	1	Switch, Motor Control, complete (for details, see Fig. 10)
65	A6104BJ1	1	Switch, Brush Advancer Stopping, complete (for details, see Fig. 9A)
66	B6104Z2	1	Switch, Stop Control, complete (for details, see Fig. 11)
67	344Z1	1	Weight (counterbalance) lead

C-1013C - Type 6104AY Selector

Page 8

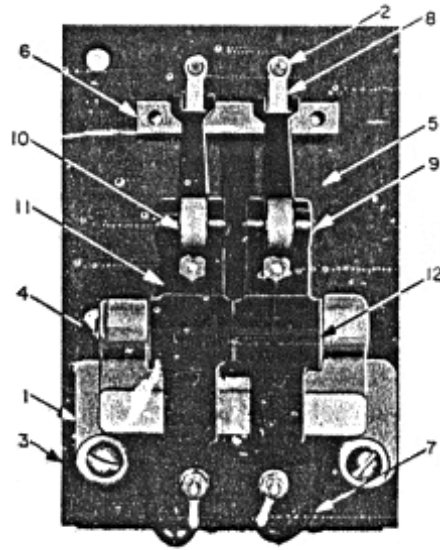


FIG. 6

AUXILIARY STOPPING SWITCH - FIG. 6
ML 6104AR1

Ref. No.	Part No.	Quantity	Description	
1	306FS1	1	Base, Switch	
2	150C4	2	Contact, Metallic	
3	433CH1	1	Panel, Switch	
4	78AG1	1	Pin, 5/16" diam., 3-1/4" long	
5	90LA5	2	Spring, Compression	
6	477CX1	1	Stop	
-	181965	2	Support, Contact, each consisting of:	
7			1 - Conductor	part # 175J3
8			1 - Contact, Spring	part # 93A2
9			1 - Rivet	part # 144G1
10			1 - Roller	part # 456BX2
11			1 - Support	part # 181909
12	128AF40	3	Washer, Spacing (between Contact Supports)	

C-1013C - Type 6104AY Selector

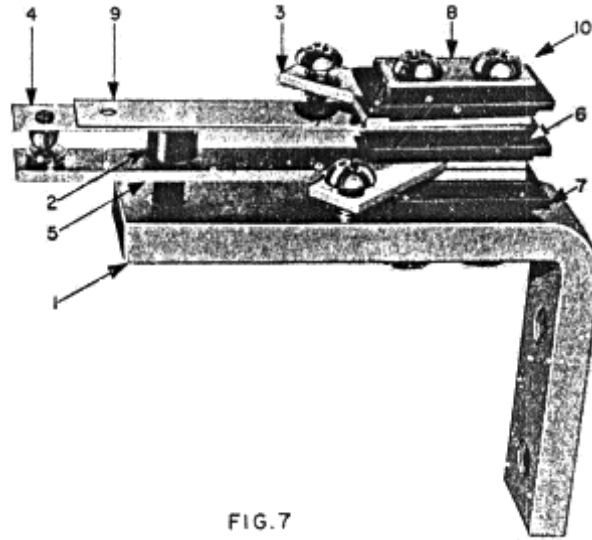


FIG. 7

TYPE 6104AS LIMIT SWITCH - FIG. 7
ML 6104AS1

Ref. No.	Part No.	Quantity	Description
1	316BKV1	1	Bracket, Mounting
2	323AR1	1	Button, Push, fibre
3	176BE1	2	Connector, brass
4	150AF3	1	Contact, Movable
5	150P38	1	Contact, Stationary
6	464P3	6	Separator, 7/16" wide, 15/16" long, 1/16" thick, phenolic
7	464P4	3	Separator, 5/8" wide, 1-1/8" long, 1/16" thick, phenolic
8	255EB27	1	Shim, 7/16" wide, 15/16" long, .0299" thick, steel
9	93BM2	1	Spring, Flat (Contact Backing)
10	137E6	2	Tube, 3/4" long, polyvinyl
<i>10 Arrow indicates location, the parts themselves not showing in the illustration.</i>			

C-1013C - Type 6104AY Selector

Page 9

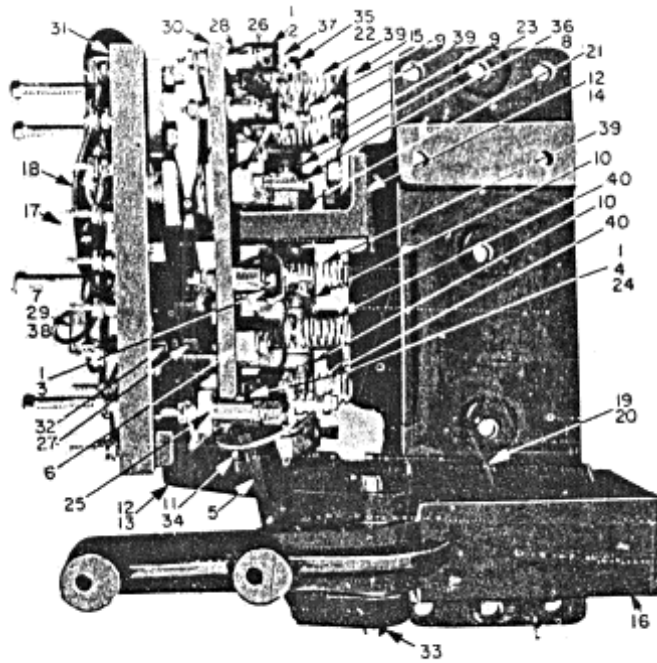


FIG. 8

LEVELING SWITCH - FIG. 8
ML 6104BF1

Ref. No.	Part or MLNo.	Quantity	Description
1	288JX1	5	Arm, Contact (for Arms #6825B1, 2 & 3)
2	6825B1	3	Arm, Contact, with Contact
3	6825B2	1	Arm, Contact, with Contact
4	6825B3	1	Arm, Contact, with Contacts
5	288JS2	1	Arm, Magnet, with core, Bearing and Pin
6	288JT1 <i>Arrow indicates location, the parts themselves not showing in the illustrations.</i>	1	Arm, Operating
7	288JR1	1	Arm, Roller
8	288JG1	1	Arm, Roller
9	287BC4	2	Arm, Switch, with bushing, 3/8" hole
10	287BC3	2	Arm, Switch, with bushing, 1/2" hole
11	207Z6	1	Bearing, Ball (for Arm #288JS2)
12 <i>Arrow indicates location, the parts themselves not showing in the illustrations.</i>	207Z9	2	Bearing, Ball (for Bearings #181774 and 5)
13	316BYG1	1	Bearing, Switch (Offset)

C-1013C - Type 6104AY Selector

14	316BYF1	1	Bearing, Switch (Straight)
15	316BJF1	1	Bracket, with pins
16	316BNB3	1	Bracket, with core
17 <i>Arrow indicates location, the parts themselves not showing in the illustrations.</i>	316BYE1	1	Bracket, Adjusting Screw
18	174AF1	1	Cable, 10 conductor
19 <i>Arrow indicates location, the parts themselves not showing in the illustrations.</i>	336FS1	1	Clamp, Spool (for Coil)
20	183978	1	Coil, Magnet
21 <i>Arrow indicates location, the parts themselves not showing in the illustrations.</i>	340R13	1	Collar, 3/8" ID, 3/4" OD, 5/32" thick
22	340R11	1	Collar, 3/8" ID, 3/4" OD, 5/16" thick, with drilled hole
23	340R12	1	Collar, 3/8" ID, 3/4" OD, 5/16" thick
24	156AB2	1	Contact, Finger, with spring, guide and retainers (for Arm #6825B3)
25	156AA2	1	Contact, with panel and Distance Piece (for Panel #7007A1)
26	93A2	5	Contact, Spring (for Arms #6825B1, 2 and 3)
27	150C2	1	Contact, with Holder (3/4" long) (for Distance Piece)
28	150C3	4	Contact, with Holder (1-1/8" long) (for Panel #7007A1)
29 <i>Arrow indicates location, the parts themselves not showing in the illustrations.</i>	396DY2	1	Housing, with roller and Pin
30	7007A1	1	Panel, Contact, 5-7/8" long, with Contacts
31	7007B1	1	Panel, Contact, 6-3/4" long, with Contact
32	354BB1	1	Piece, Distance
33	79BG1	1	Pin, Hinge
34 <i>Arrow indicates location, the parts themselves not showing in the illustrations.</i>	78T34	1	Pin, Roller (for Arm #288JS2)
-	81AX15	4	Pin, Roll, 1/8" dia., 3/4" long (for Bracket #316BYG1)
35 <i>Arrow indicates location, the parts themselves not showing in the illustrations.</i>	81AX16	1	Pin, Roll, 5/32" dia., 3/4" long (for Collar #340R11)

C-1013C - Type 6104AY Selector

36 <i>Arrow indicates location, the parts themselves not showing in the illustrations.</i>	81AX7	2	Pin, Roll, 5/32" dia., 1" long (for Arm #288JG1 and 288JT1)
37	494GE1 <i>Arrow indicates location, the parts themselves not showing in the illustrations.</i>	1	Shaft, Switch, 7-3/4" long
38 <i>Arrow indicates location, the parts themselves not showing in the illustrations.</i>	255XA10	2	Shim, steel (for Housing)
39	90YA15	3	Spring, 7/16" ID, 1-3/8" long, 10 active turns
40	90BB8	2	Spring, 1/2" ID, 1-11/16" long, 9 active turns

C-1013C - Type 6104AY Selector

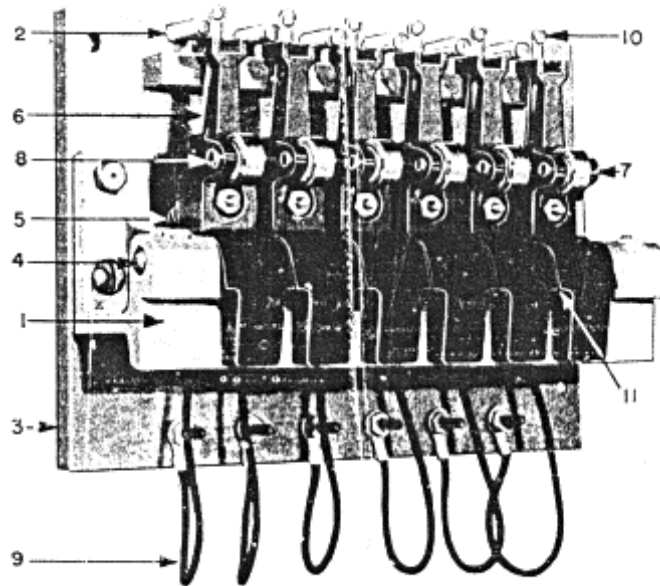


FIG. 9

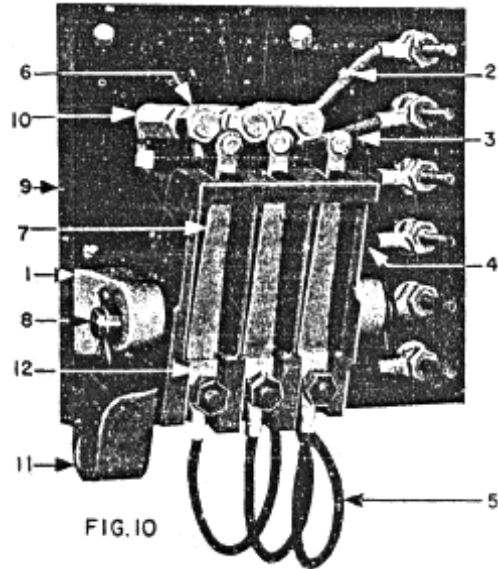
ADVANCER STOPPING SWITCH - FIG. 9
Complete Part No. 181946; ML 2232-IV-5

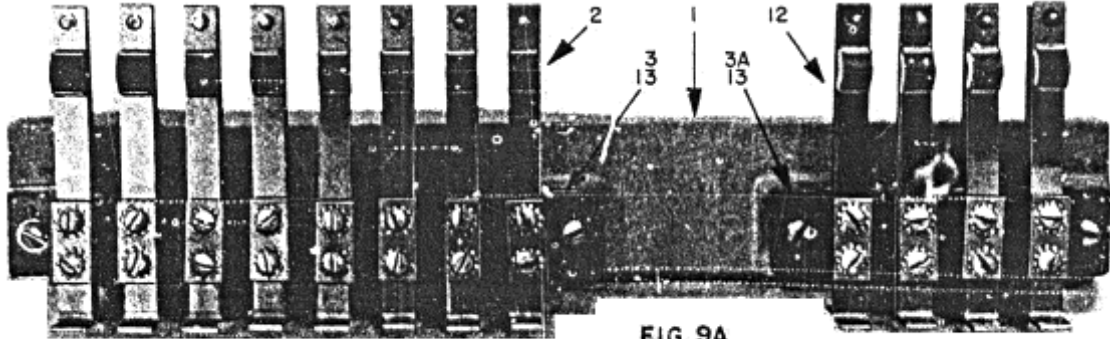
Ref. No.	Part No.	Quantity	Description	
1	181908	1	Bearing	
2	150C4	6	Contact, Metallic	
3	181920	1	Panel, Switch	
4	815526	1	Pin, Contact, Shaft	
5	90LA5	6	Spring, Compression	
-	181965	6	Support, Contact, each consisting of:	
6			1 - Support	part #181909 part #456BX2 part # 144G1 part # 175J3 part # 93A2
7			1 - Roller	
8			1 - Rivet	
9			1 - Conductor	
10			1 - Contact, Spring	
11	128AF40	5	Washer, Spacing (between Contact Supports)	
11		Arrow indicates location, the part itself not showing in the illustrations.		

C-1013C - Type 6104AY Selector

MOTOR CONTROL SWITCH - FIG. 10
ML 6104BK1

Ref. No.	Part No.	Quantity	Description
1	316BYD1	1	Bearing
2	175J4	1	Conductor, 2" long
3	175J5	1	Conductor, 3" long
4	175J6	1	Conductor, 3-1/2" long
5	175J3	3	Conductor, 7-1/4" long
6	150C2	3	Contact, Metallic
7	93A2	3	Contact, Spring
8	82A58	1	Pin, Switch, 5/16" dia., 3-1/8" long
9	433FF1	1	Panel, Switch
10	354BE1	3	Stud, Contact
11	306HR1	1	Support, Contact





BRUSH ADVANCER STOPPING SWITCH - FIG. 9A

C-1013C - Type 6104AY Selector

Material List 6104BJ1

Ref. No.	Part or MLNo.	Quantity	Description
1	316BYA1	1	Bracket, Switch
2	6104BH1	1	Contact, Stopping Switch, consisting of:
3		1	Base, Contact, 1" wd., 7" lg., Phenolic part # 306HN1
4		16	Connector, brass part # 176CK1
6		16	Contact, silver part # 150P32
14		8	Holder, Contact, with Cam part # 179CC2
7		16	Separator, Insulating, 1-1/8" long, phenolic part # 464P4
8		40	Separator, Insulating, 15/16" long, phenolic part # 464P3
9		8	Shim, 7/16" wide, 15/16" long, .0299" thk.,stl. part #255EB27
10		8	Spring, Contact, flat part # 93BM2
15		16	Tube, 11/16" long, Polyvinyl part # 137E56
12	6104BH2	1	Contact, Stopping Switch, consisting of:
3A		1	Base, Contact, 1" wide, 4" long, Phenolic part # 306HN2
4		8	Connector, brass part # 176CK1
6		8	Contact, silver part # 150P32
14		4	Holder, Contact, with Cam part # 179CC2
7		8	Separator, Insulating, 1-1/8" long, Phenolic part # 464P4
8		20	Separator, Insulating, 15/16" long, Phenolic part # 464P3
9		4	Shim, 7/16" wd., 15/16" lg., .0299" thk.,stl. part #255EB27
10		4	Spring, Contact, flat part # 93BM2
15		8	Tube, 11/16" long, Polyvinyl part # 137E56
13	128AF38	8	Washer, .201" ID, 5/8" OD, .010" thick, brass

C-1013C - Type 6104AY Selector

Material List A6104BJ1

Ref. No.	Part or MLNo.	Quantity	Description
1	316BYA1	1	Bracket, Switch
2	A6104BH1	1	Contact, Stopping Switch, consisting of:
3		1	Base, Contact, 1" wd., 7" lg., Phenolic part # 306HN1
4		16	Connector, brass part # 176CK1
5		8	Contact, silver, with Cam part # 150P31
6		8	Contact, silver part # 150P32
7		8	Separator, Insulating, 1-1/8" long, phenolic part # 464P4
8		24	Separator, Insulating, 15/16" long, phenolic part # 464P3
9		8	Shim, 7/16" wide, 15/16" long, .0299" thk.,stl. part #255EB27
10		8	Spring, Contact, flat part # 93BM2
11		16	Tubes, 7/16" long, Polyvinyl part # 137E5
12	A6104BH2	1	Contact, Stopping Switch, consisting of:
3A		1	Base, Contact, 1" wide, 4" long, Phenolic part # 306HN2
4		8	Connector, brass part # 176CK1
5		4	Contact, silver, with Cam part # 150P31
6		4	Contact, silver part # 150P32
7		4	Separator, Insulating, 1-1/8" long, Phenolic part # 464P4
8		12	Separator, Insulating, 15/16" long, Phenolic part # 464P3
9		4	Shim, 7/16" wd., 15/16" lg., .0299" thk.,stl. part #255EB27
10		4	Spring, Contact, flat part # 93BM2
11		8	Tubes, 7/16" long, Polyvinyl part # 137E5
13	128AF38	8	Washer, .201" ID, 5/8" OD,

C-1013C - Type 6104AY Selector

Page 12

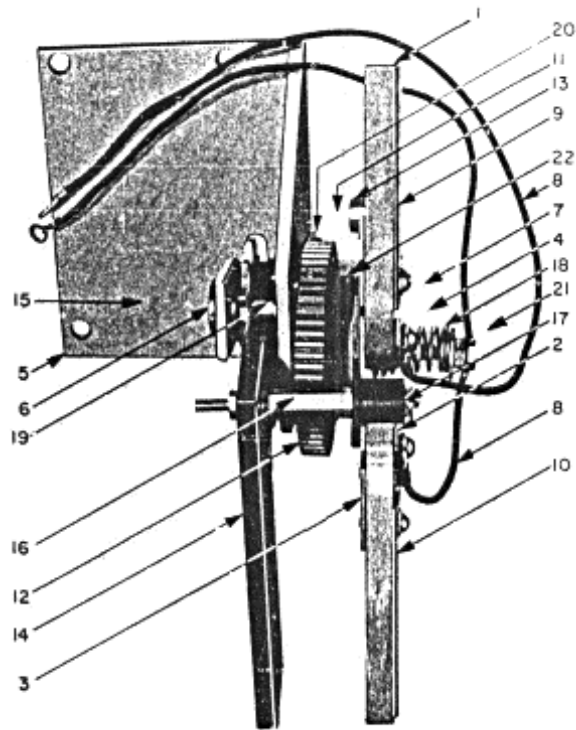


FIG. 11

STOP CONTROL SWITCH - FIG. 11
ML B6104Z1 & 2

Ref. No.	Part No.	Quantity	Description
1	306AZ1	1	Base, Upper, phenolic (for Contact #152AJ1)
2	306AZ2	1	Base, Lower, phenolic (for Contact #152AJ2)
3	306BD1	1	Base, steel
4 <i>Arrow indicates location, the parts themselves not showing in the illustration.</i>	207Z31	1	Bearing, Ball (for Base #306BD1)
5	316AFF2	1	Bracket, with Pin and Bushing
<i>Not illustrated</i>	316CCF1	1	Bracket ("U" Shaped)
6	335H8	2	Bushing, Oilless (for Bracket)
7 <i>Arrow indicates location, the parts themselves not showing in the illustration.</i>	335H7	1	Bushing, Oilless (for Gear A201AH2)
<i>Not illustrated</i>	336CZ10	1	Clamp (for Conductor)
8	175BR27	2	Conductor, 16" long
9	152AJ1	1	Contact, copper (for Base #306AZ1)

C-1013C - Type 6104AY Selector

10	152AJ2	1	Contact, copper (for Base #306AZ2)
11 <i>Arrow indicates location, the parts themselves not showing in the illustration.</i>	A201AJ1	1	Gear, Spur, 20 teeth, 1" P.D.
12	A201AH2	1	Gear, Spur, 60 teeth, 3" P.D., with Bushing
13	72AL1	2	Nut, #10-32 Special, steel
14	438AR1 ML B6104Z1 <i>no longer available, for replacement, use ML B6104Z2 and the above flagged parts, which are now part of ML A6104AX1, Fig. 3A</i>	1	Panel, 2-3/8" wide, 4-7/8" long 1/4" thick, phenolic
15 <i>Arrow indicates location, the parts themselves not showing in the illustration.</i>	77DS1	1	Pin, Shouldered, 2-3/8" long (for Sprocket #195AJ1)
16	456CJ1 ML B6104Z1 <i>no longer available, for replacement, use ML B6104Z2 and the above flagged parts, which are now part of ML A6104AX1, Fig. 3A</i>	1	Pin, Shouldered, 2-7/8" long (for Roller #456CJ1)
17	456CJ1 ML B6104Z1 <i>no longer available, for replacement, use ML B6104Z2 and the above flagged parts, which are now part of ML A6104AX1, Fig. 3A</i>	1	Roller, Contact, carbon
18	90LB5	1	Spring, 9/16" ID, 1-3/8" OD, 4-1/2 active turns
19	195AJ1	1	Sprocket, 12 teeth
20	477AV1	2	Stop
21 <i>Arrow indicates location, the parts themselves not showing in the illustration.</i>	133R1	1	Washer, Spring Seat
22	129AR1	1	Washer, Friction Disk, non-metallic

C-1013C - Type 6104AY Selector

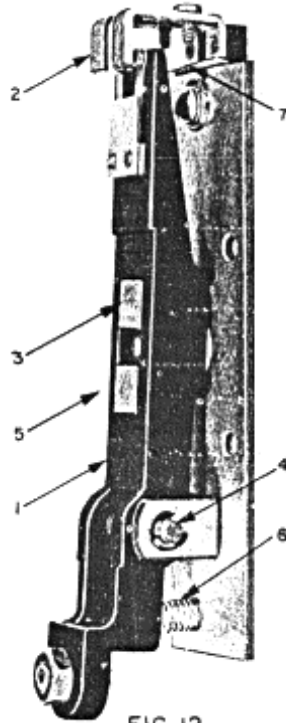


FIG. 12

DOOR ZONE SWITCH - FIG. 12
ML 6809C1

Ref. No.	Part No.	Quantity	Description
1	287BK3	1	Arm, Switch, with contact, strips, bushings and rivets
2	A152AR2	1	Contact, with base (Stationary)
3	233B1	1	Magnet, Permanent
4	77NM1	1	Pin, 3/16" dia., 1-21/64" long
5	90BK1	1	Spring, Flat, 3/8" wide, 1" long (for Magnet)
<i>5 Arrow indicates location, the parts themselves not showing in the illustration.</i>			
6	90GA2	1	Spring, Compression, 17/64" ID, 1-3/16" long, 11 active turns
7	298EF1	1	Strip, fibre (for Stationary Contact)

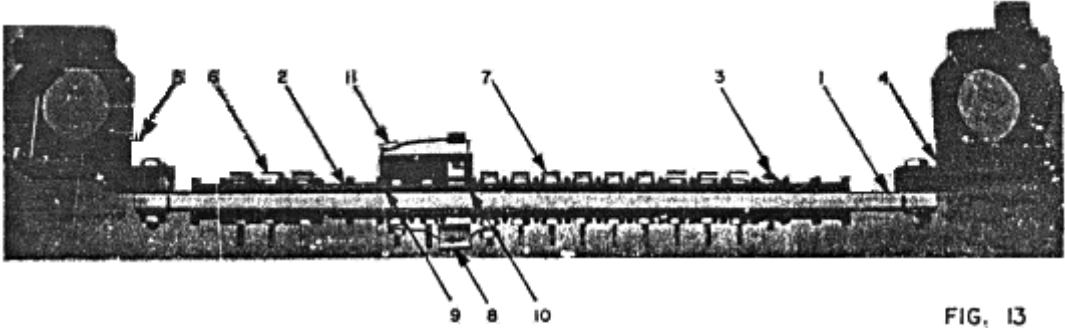
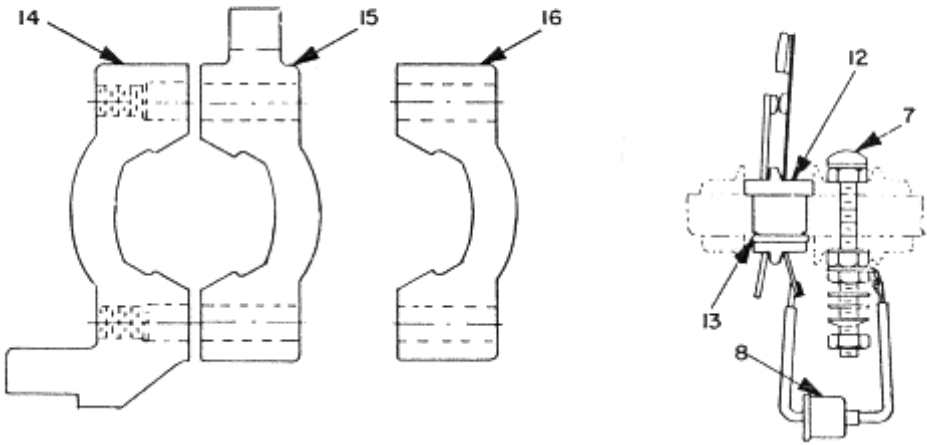


FIG. 13



C-1013C - Type 6104AY Selector

FLOOR BARS - FIG. 13
ORDER FORM 0-485-C-

Ref. No.	Part or MLNo.	Quantity	Description
1	A299NJ3	-	Bar, Floor
1	299YF5	-	Bar, Floor (with square hole)
2	306GD1	-	Base, Floor Bar
3	124AW2	-	Screw (Cam) (used with Switch #6839J1 on Crosshead Panel)
<i>3 Not as illustrated</i>	152AX2	-	Contact (Cam) 9/16" wide (used with Switch #6839Y3 on Crosshead Panel)
<i>3 Not as illustrated</i>	152AX4	-	Contact (Cam) 3/4" wide (used with Switch #6839Y3 on Crosshead Panel)
4	336EJ3	-	Clamp, complete, with Pawl lug
5	336EJ4	-	Clamp, complete, without pawl lug
14	336FT1	-	Clamp
15	336FV1	-	Clamp, with pawl lug (used with Clamp part #336FT1)
16	336FV2	-	Clamp, without pawl lug (used with Clamp #336FT1)
13	336FV1	-	Clip (for Switch part #177AH1)
6	156E3	-	Contact, copper with silver inlay
7	156G4	-	Contact, silver
8	230BD2	-	Rectifier
8	230BD5	-	Rectifier (with sleeving and Terminals)
9	464BG2	-	Separator, 9/16" wide, 1-27/32" long, phenolic
10	464CB1	-	Separator, 9/16" wide, 1-7/8" long, phenolic
11	6839B3	-	Switch, Brush, complete (for details, see Fig. 17)
12	177AH1	-	Switch, Hook (with silver contacts)

NOTE: It should be understood that the arrangement of the Contacts and Switches shown in Fig. 13 is purely illustrative. In actual practice the number and arrangement of the various parts depend on many things, such as car speed, number of stops, type of control, etc.

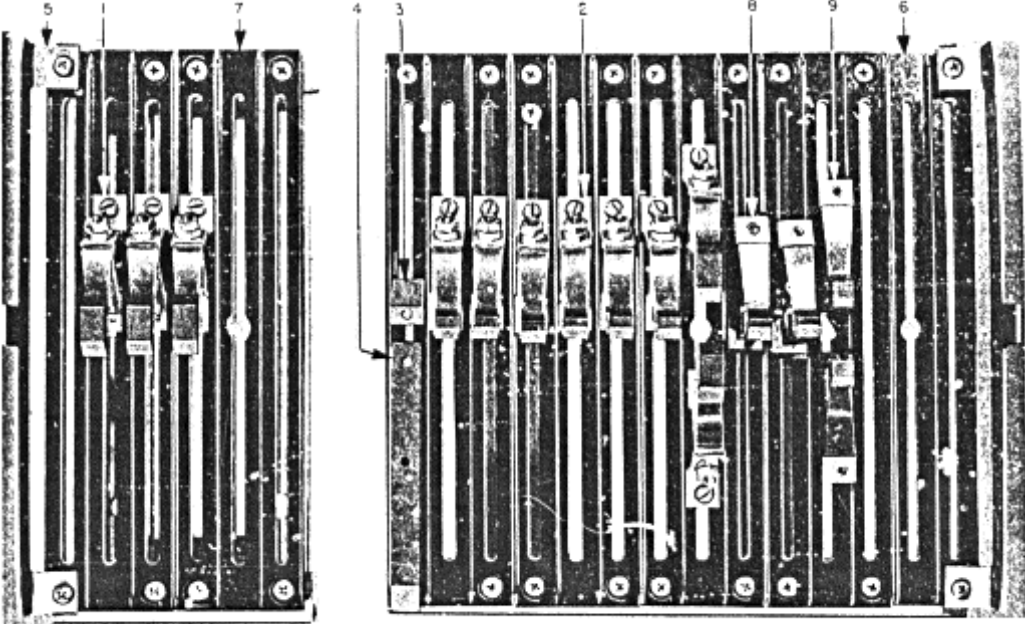


FIG. 14

C-1013C - Type 6104AY Selector

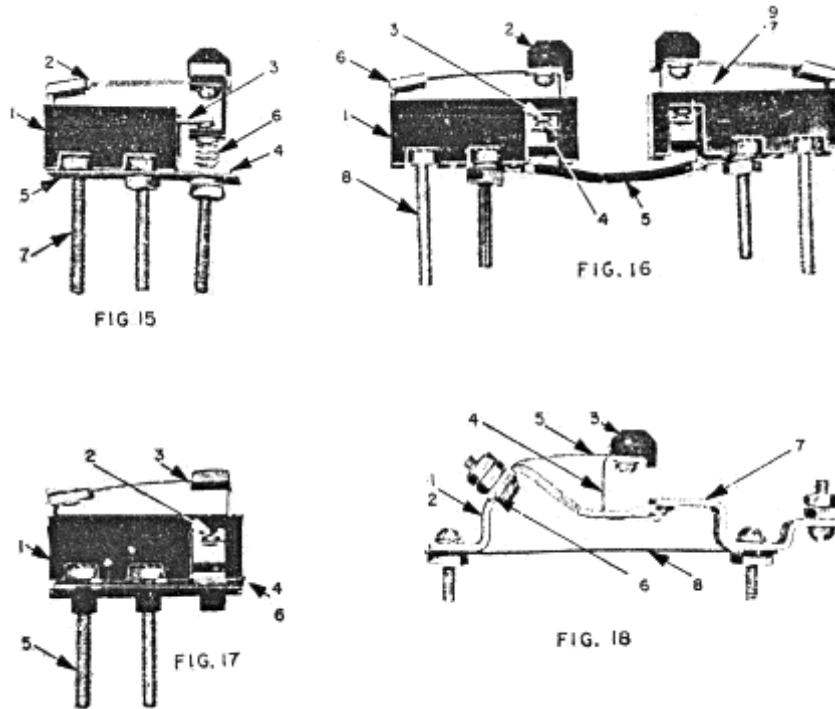
CROSSHEAD PANEL - FIG. 14
 (Synchronous and Advancer)
 Order Form 0-485C-

Ref. No.	Part or MLNo.	Quantity	Description
1	A6839F2	-	Brush, Contact, each consisting
			of:
		1	1 Bracket part # 316BFV1
			Contact, long, carbon
			part # 156D2
2	A6839F3	-	Brush, Contact, each consisting
			of:
		1	Bracket part # 316BFV1
		1	Contact, Short, carbon
			part # 156J2
2	A6839F4	-	Brush, Contact, each consisting
			of:
		1	Bracket part #316BFV1
		1	Contact, Short, elkonite
			part # 156AT1
3	327CX6	1	Cam, 15/16" long, phenolic
3	327GV5	1	Cam, 3/4" long, phenolic
4	156F2	1	Contact, 4" long, carbon
4	156AS2	1	Contact, 3-7/8" long, carbon
5	269T3	2	Indicator, Floor Bar setting
6	438CD2	1	Panel, 1-1/4" wide, 8-1/4" long
7	438CD1	-	Panel, 1-7/8" wide, 8-1/4" long
-	438CD3	1	Panel, 1-7/8" wide, 8-1/4" long (one 1 edge removed)
8	6839W1	-	Switch, Brush, complete (for details, see Fig. 15)
8	6839Y4	-	Switch, Brush, complete (for details, see Fig. 18)
9	6839J1	1	Switch, Brush, complete (for details, see Fig. 16)
<i>Switch #6839Y3 not illustrated in Fig. 14, may be mounted at Ref. #9 provided Switch #6839J1 is not used. Switch <#6839Yis used in conjunction with Contact #152AX2 on floor Bar.</i>	6839Y3	1	Switch, Brush, complete (for details, see Fig. 18)

NOTE: It should be understood that the arrangement of the Brushes and Switches shown in Fig. 14 is purely illustrative. In actual practice the number and arrangement of the various parts depend on many things, such as car speed, number of stops, type of control, etc.

C-1013C - Type 6104AY Selector

Page 15



TYPE 6839W SWITCH - FIG. 15
ML 6839W1

Ref. No.	Part No.	Quantity	Description
1	306DN2	1	Base, Contact
2	156J6	1	Contact, Movable
3	150R10	1	Contact, Stationary
4	386ANR2	1	Plate, Spring Support
5	464BY1	1	Separator, 1/2" wide, 1-7/8" long, phenolic
6	90HA5	1	Spring, Compression
7	97C1	1	Stud, Terminal

C-1013C - Type 6104AY Selector

TYPE 6839J SWITCH - FIG. 16
ML 6839J1

Ref. No.	Part No.	Quantity	Description
1	306DN1	2	Base, Contact
2	327DM1	2	Cam, fibre
3	150R8	2	Contact, Spring, silver
4	150R9	2	Contact, with Holder (for Spring)
5	175J2	1	Conductor, 2-1/2" long
6	93BF2	2	Spring, Flat, with Bracket
7	477BT1	2	Stop
<i>7 Arrow indicates location, the parts themselves not showing in the illustrations.</i>			
8	97C1	2	Stud, Terminal
9	131BK1	2	Washer, rectangular
<i>9 Arrow indicates location, the parts themselves not showing in the illustrations.</i>			

TYPE 6839B BRUSH SWITCH - FIG. 17
ML 6839B3

Ref. No.	Part No.	Quantity	Description
1	306DN1	1	Base, Contact
2	150R8	1	Contact, Spring
3	156G2	1	Contact, Spring, with Cam
4	477BT1	1	Stop
<i>4 Arrow indicates location, the parts themselves no showing in the illustrations.</i>			
5	97C13	1	Stud, Terminal
6	131BK1	1	Washer, rectangular
<i>6 Arrow indicates location, the parts themselves no showing in the illustration.</i>			

C-1013C - Type 6104AY Selector

TYPE 6839Y SWITCH - FIG. 18
ML 6839Y3 and 6839Y4

Ref. No.	Part or MLNo.	Quan- tity	Description
1	6839Y1	1	Switch (for ML 6839Y3) con- sisting of:
2		1	Bracket part #316BFV1
3		1	Cam, fibre part # 327DM1
4		1	Contact, moveable part #150T3
5		1	Spring, flat part # 93CC1
6		1	Washer, Lock part # 130W3
1	6839Y2	1	Switch (for ML 6839Y4) con- sisting of:
2		1	Bracket part #316BFV1
3		1	Cam, fibre part # 156AT1
4		1	Contact, movable part # 150T3
5		1	Spring, flat part # 93CC1
6		1	Washer, lock part # 130W3
7	150BA7	1	Contact, Stationery
8	298EN1	1	Strip