

C-1011A - Type "A" Hoistway Door Hangers

February 2, 1959

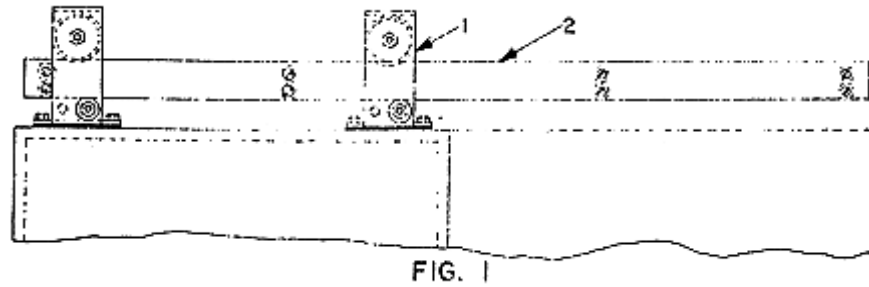
Page 1



Center-Opening Doors, with Aircord Drive (Typical Illustration)

C-1011A - Type "A" Hoistway Door Hangers

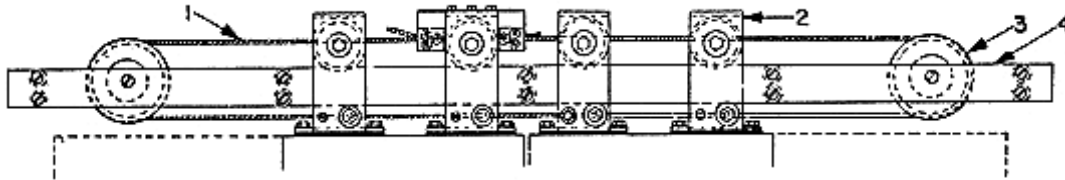
Page 2



TYPE "A" HOISTWAY DOOR HANGERS - FIG. 1
For Single Slide Doors
Order Form 0-851A & 0-851

Ref. No.	Part No.	Quantity	Description
1	-	2	Hanger (for details, see Fig. 5 or 6)
2	<i>When ordering give length, floor number, for Car or Hoistway Doors and Elevator Sales Number.</i>	1	Track, Hanger

NOTE: Quantity is for one opening.



TYPE "A" HOISTWAY DOOR HANGERS - FIG. 2
For Center - Opening Doors With Aircord Drive
0-852A

Ref. No.	Part No.	Quantity	Description
1	-	1	Aircord, 1/8" diam., 7 x 19 tinned (specify length)
2	-	4	Hanger (for details, see Fig. 5 or 6)
3	265BC2	2	Sheave, with ball bearing
4	<i>When ordering give length, floor number, for Car or Hoistway Doors and Elevator Sales Number.</i>	1	Track, Hanger

NOTE: Quantity is for one opening.

C-1011A - Type "A" Hoistway Door Hangers

Page 3

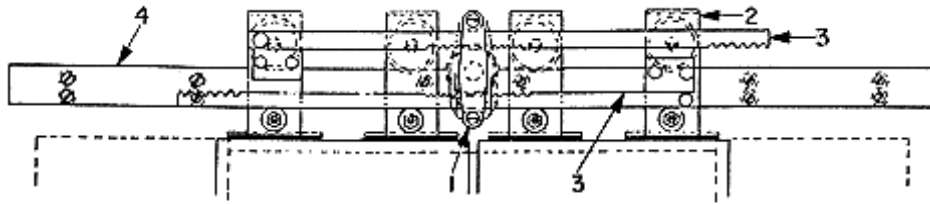


FIG. 3

TYPE "A" HOISTWAY DOOR HANGERS - FIG. 3
 For Center - Opening Doors With Rack & Gear Drive
 Order Form 0-852

Ref. No.	Part No.	Quantity	Description
1	-	1	Box, Gear, Assembly (for details, see Fig. 7)
2	-	1	Hanger (for details, see Fig. 5 or 6)
3	<i>When ordering Rack or Track give length, floor number for Car or Hoistway Door and Elevator Sales Number.</i>	2	Rack
4	<i>When ordering Rack or Track give length, floor number for Car or Hoistway Door and Elevator Sales Number.</i>	1	Track, Hanger

NOTE: Quantity is for one opening.

C-1011A - Type "A" Hoistway Door Hangers

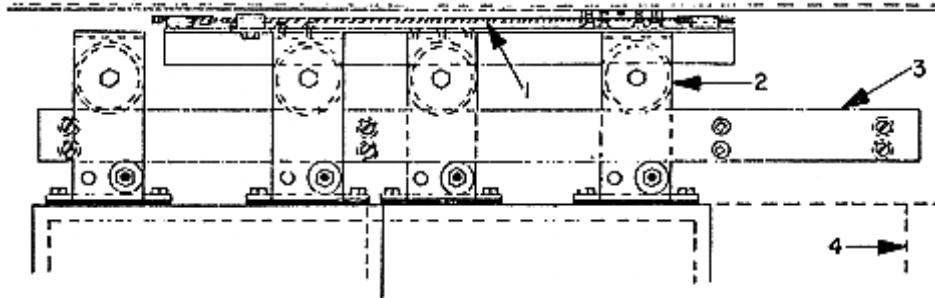


FIG. 4

TYPE "A" HOISTWAY DOOR HANGERS - FIG. 4

For Two-Speed Doors

Order Form 0-853A and 0-853

Ref. No.	Part No.	Quantity	Description
1	-	1	Drive, Aircord (for details, see Fig. 8)
2	-	4	Hanger, (for details, see Fig. 5 or 6)
3	<i>When ordering give length, floor number for Car or Hoistway Doors and Elevator Sales Number.</i>	1	Track, Hanger Fast Door
4	<i>When ordering give length, floor number for Car or Hoistway Doors and Elevator Sales Number.</i>	1	Track, Hanger Slow Door

NOTE: Quantity is for one opening.

C-1011A - Type "A" Hoistway Door Hangers

Page 4

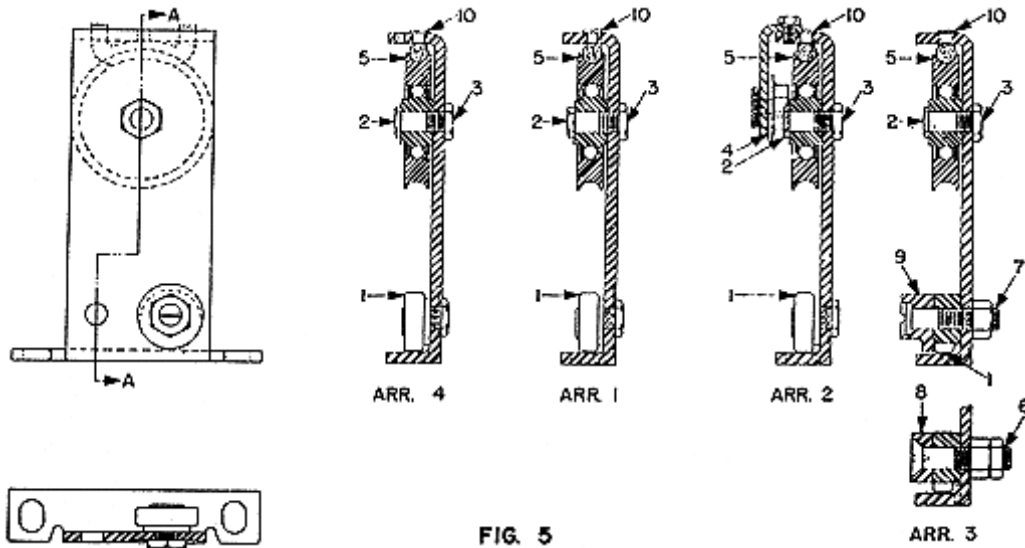


FIG. 5

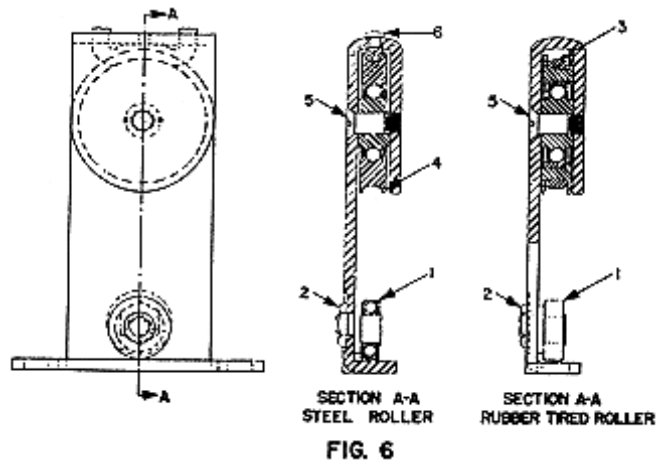
TYPE "A" (6178A) TWO-POINT SUSPENSION HANGERS - FIG. 5
 (Steel Rollers)
 ML 6178A16, 17, 18, 19; D6178A18

Ref. No.	Part No.	Quantity	Description
1	207Z4	1	Bearing, Ball, with eccentric pin
2	65CA5	1	Bolt, Hex. Head, 1/2" diam., 1-13/64" long
3	72AF2	2	Nut, Hex., 1/2" - 20 tap
4	386AKK1	1	Plate, 1-7/16" wide, 1-1/2" long, 3/16" thick
5	A456EA1	1	Roller, Ball Bearing, steel
6	-	1	<i>No longer available, for replacement, order one Socket #231C1, one Screw #124CH2, one 1/2" Ext. Lock Washer and one 1/2" Fin. Nut.</i>
7	124CH2	1	Screw, 1/2" diam., 2-1/8" long, without hole for aircord
8	-	1	<i>No longer available, for replacement, order one Socket #231C1, one Screw #124CH2, one 1/2" Ext. Lock Washer and one 1/2" Fin. Nut.</i>
9	231C1	1	Socket, Rope
10	488A1	1	Wick, 3/8" square, 3" long, felt

NOTE: When ordering complete Hangers or parts always give Elevator Sales Number.

C-1011A - Type "A" Hoistway Door Hangers

Page 5



TYPE "A" (6178A) TWO-POINT SUSPENSION HANGERS - FIG. 6

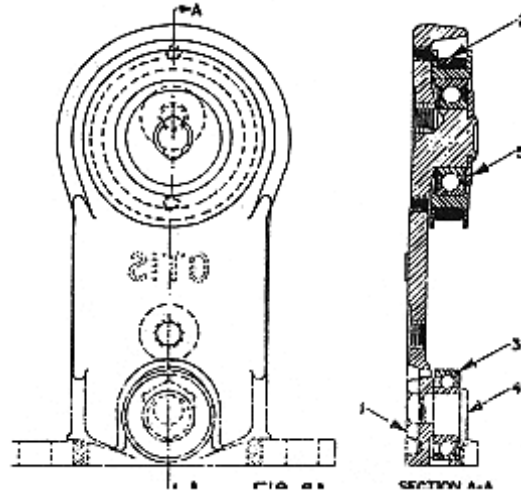
Rubber Tired Rollers: ML A6178A1, 2, 5, 6, 10; 6178A13, 15

Steel Rollers: ML A6178A7, 8, 11; 6178A12, 14

Ref. No.	Part No.	Quantity	Description
1	207Z4	1	Bearing, Ball, with eccentric pin
-	65CA3	1	Bolt, Hex. Hd., 1/2" diam., 1-1/4" long (for Gear Rack to Hanger - when used)
2	72AF2	1	Nut, Hex., 1/2" - 20 tap
3	A456W1	1	Roller, Rubber Tired
4	A456EA1	1	Roller, Steel
5	124C3	1	Screw, Flat Head, 1/2" diam., 1-1/4" long
-	127VB54	1	Washer, Spacer, 17/32" ID, 1" OD, .350" thick, steel (for Bolt - when used)
6	488A1	1	Wick, 3/8" square, 3" long, felt

NOTE: When ordering complete Hangers or parts always give Elevator Sales Number.

C-1011A - Type "A" Hoistway Door Hangers



TYPE "A" (6178A) HANGERS - FIG. 6A
 Two-Point Suspension
 Rubber Tired Rollers: ML 6178A1 to 6

Ref. No.	Part No.	Quantity	Description
-	65CA3	1	Bolt, Hex. Hd., 1/2" diam., 1-1/4" long (for Gear Rack to Hanger - when used)
1	72AF2	1	Nut, Hex., 1/2" - 20 tap
2	456W1	1	Roller, Ball Bearing Hanger
3	456FA1	1	Roller, Ball Bearing Upward Thrust
-	75757	1	Spacer, Rack, 17/32" ID, 1" OD, 5/16" thick, steel (for Bolt - when used)
4	75668	1	Stud, Eccentric, 7/8" diam., 1-3/64" long
-	130H1	1	Washer, 9/16" hole (for Bolt - when used)
5	75667	1	Washer, 5/8" ID, 1-5/8" OD, #13 ga. thick, steel

NOTE: When ordering complete Hangers or parts always give Elevator Sales Number.

C-1011A - Type "A" Hoistway Door Hangers

Page 6

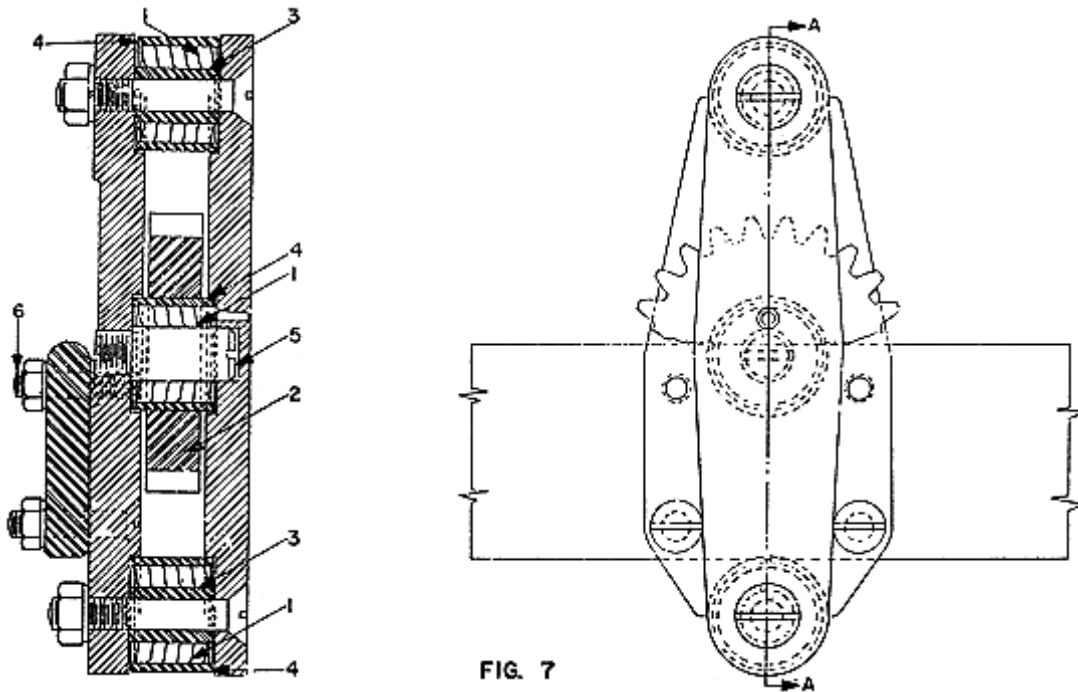


FIG. 7

GEAR BOX - FIG. 7
For Rack and Pinion Device
ML 509-X-

Ref. No.	Part No.	Quantity	Description
1	209E1	3	Bearing, Roller
2	73363	1	Pinion, 24 teeth, bakelite
2	73883	1	Pinion, 24 teeth, steel
3	73360	2	Race, Inner
4	73359	3	Race, Outer
5	812900	1	Shaft, Pinion, 5/8" diam., 1-3/4" long
5	73362	1	Shaft, Pulley, 5/8" diam., 1-5/8" long one end slotted
6	812943	2	Stud, 5/16" diam., 1-3/8" long

NOTE: When ordering a complete Gear Box or parts always give the Elevator Sales Number.

C-1011A - Type "A" Hoistway Door Hangers

Page 7

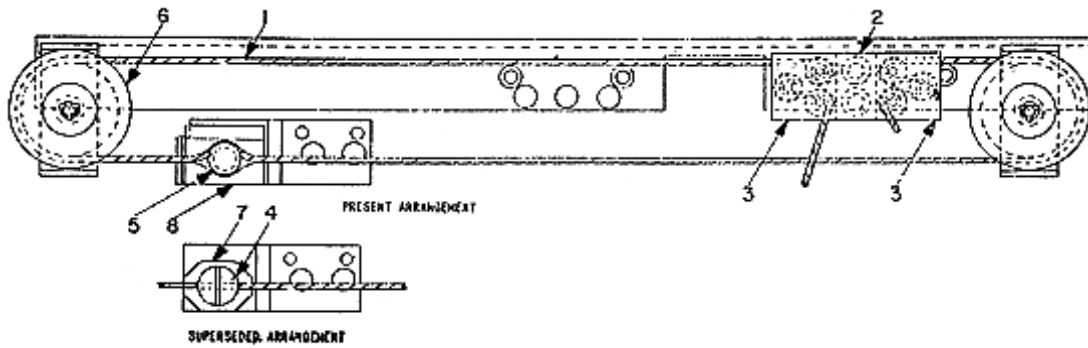


FIG. 8

AIRCORD DRIVE - FIG. 8
 For Type "A" Two-Speed Hoistway Doors
 ML A6178J1, 6178J1 and Order Form 0-853A

Ref. No.	Part No.	Quantity	Description
1	-	1	Aircord, 1/8" diam., 7 x 19 tinned (specify length)
2	386AKV1	1	Plate, Anchor
3	386AKS1	2	Plate, Clamp
4	-	1	Screw, 1/2" diam., 1-1/4" long, with hole for aircord
<i>No longer available for replacement, order one Socket #231C1, one Screw #124CH1, one 1/2" Fin. Steel Nut and one 1/2" Ext. Lock Washer.</i>			
5	124CH1	1	Screw, 1/2" diam., 1-1/4" long, without hole for aircord
6	265BD2	2	Sheave, with ball bearing
7	-	1	Socket, Rope
<i>No longer available for replacement, order one Socket #231C1, one Screw #124CH1, one 1/2" Fin. Steel Nut and one 1/2" Ext. Lock Washer.</i>			
8	231C1	1	Socket, Rope