



**Leaflet Description****Balustrade Handrail Guide with illumination for indoor only****Leaflet Revisions**

<b>Date Revised</b>	<b>Subject Matter Expert</b>	<b>Reason for Revision</b>
Aug. 30, 2018	Sien Li	Original document
May.23.2019	Sihua Ling	Update document

**Related Drawings**

<b>Drawing No.</b>	<b>Title</b>	<b>Drawing No.</b>	<b>Title</b>
DBA26228BJ	Handrail Guidance		

**Related Documents**

<b>Document ID</b>	<b>Title</b>
ODS DAA27076CY	Handrail Guidance
ODS DAA27076WX	Balustrade Illumination

**Subject Matter Expert**

<b>Name</b>	<b>Department</b>
Wu Muke	SIT-GUANGZHOU

**About Spare Parts Leaflets...**

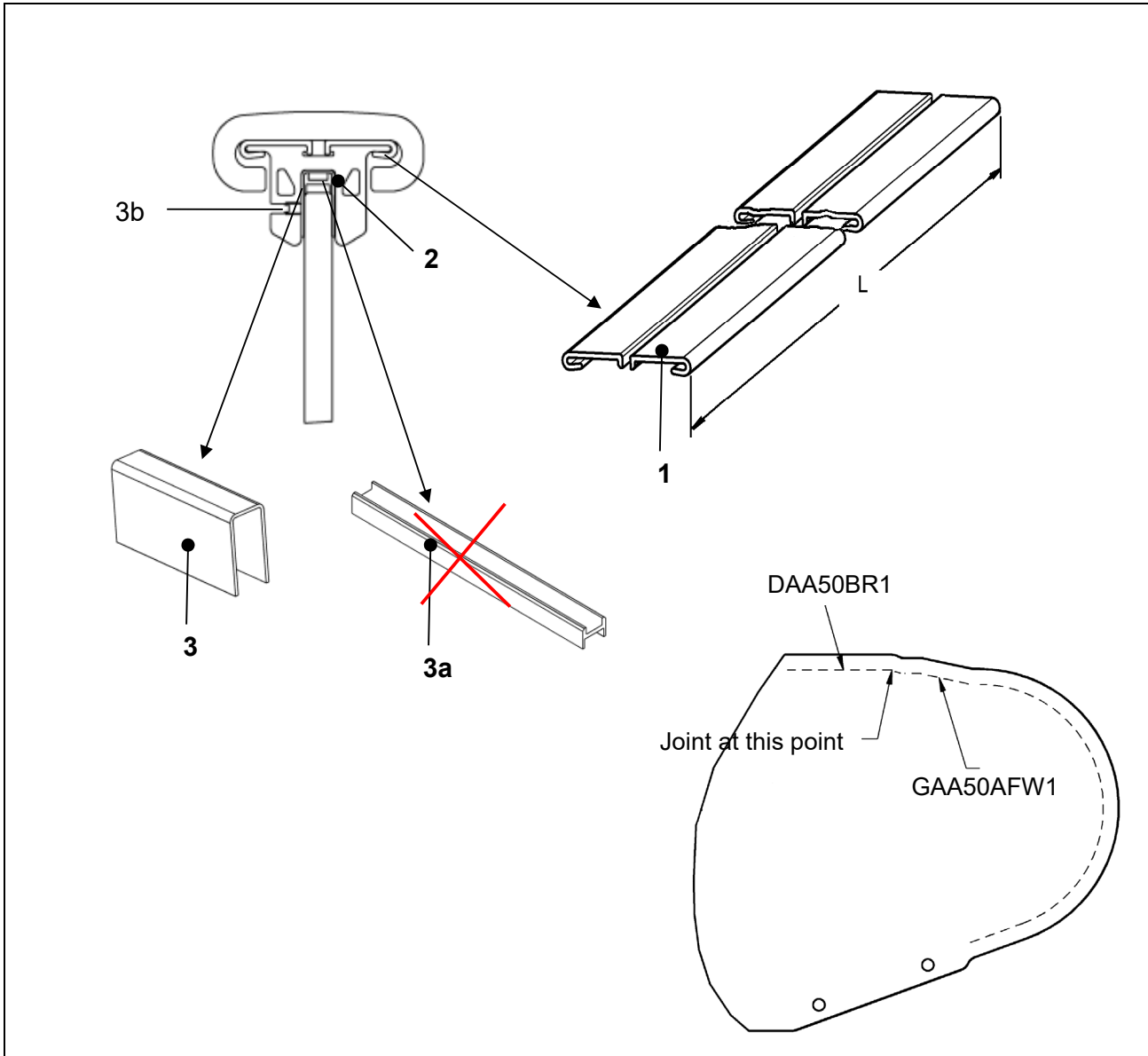
This document lists the lowest replaceable units (LRUs) for the standard version of the product. The LRUs are chosen by a team of Otis associates representing engineering and manufacturing.

While goal of this document is to make parts identification as easy as possible, the document cannot be all-inclusive. Elevator and escalator contracts classified as “special” or “custom” are not addressed here. For such contracts, please refer to specified information, the contract folder, TIPS, Field Education Articles, Construction Letters, etc. for further information.

If you have any suggestions about this document, please contact the subject matter expert listed on this page.

**508NCE/512NCE/515NPE-S/  
515NPE-L/LINK V2.8 ESCALATOR  
Handrail Guide w/ Illumination**

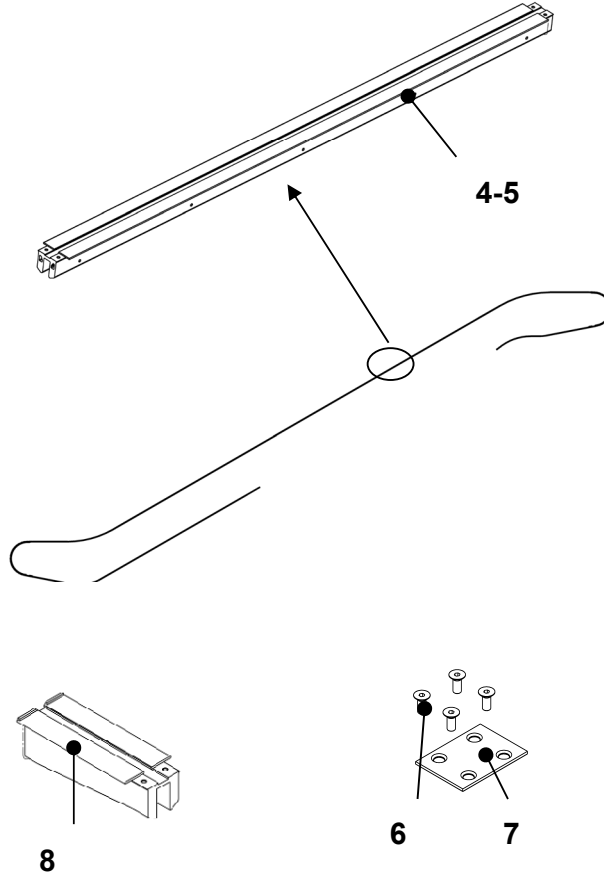
**Spare Parts Leaflet  
57-DBA26228BJ**



REF. No.	PART No.	DESCRIPTION
1	DAA50NPK1	Plastic profile L=6000mm
2	GAA50AFW1	PVC Profile, black, (w/o illumination)
3	DAA50BR1	Profile
3a	<del>GAA50ARZ1</del>	<del>Profile</del>
3b	---	ISO4026M4X6-45H-Z

**508NCE/512NCE/515NPE-S/  
515NPE-L/LINK V2.8 ESCALATOR  
Handrail Guide w/ Illumination**

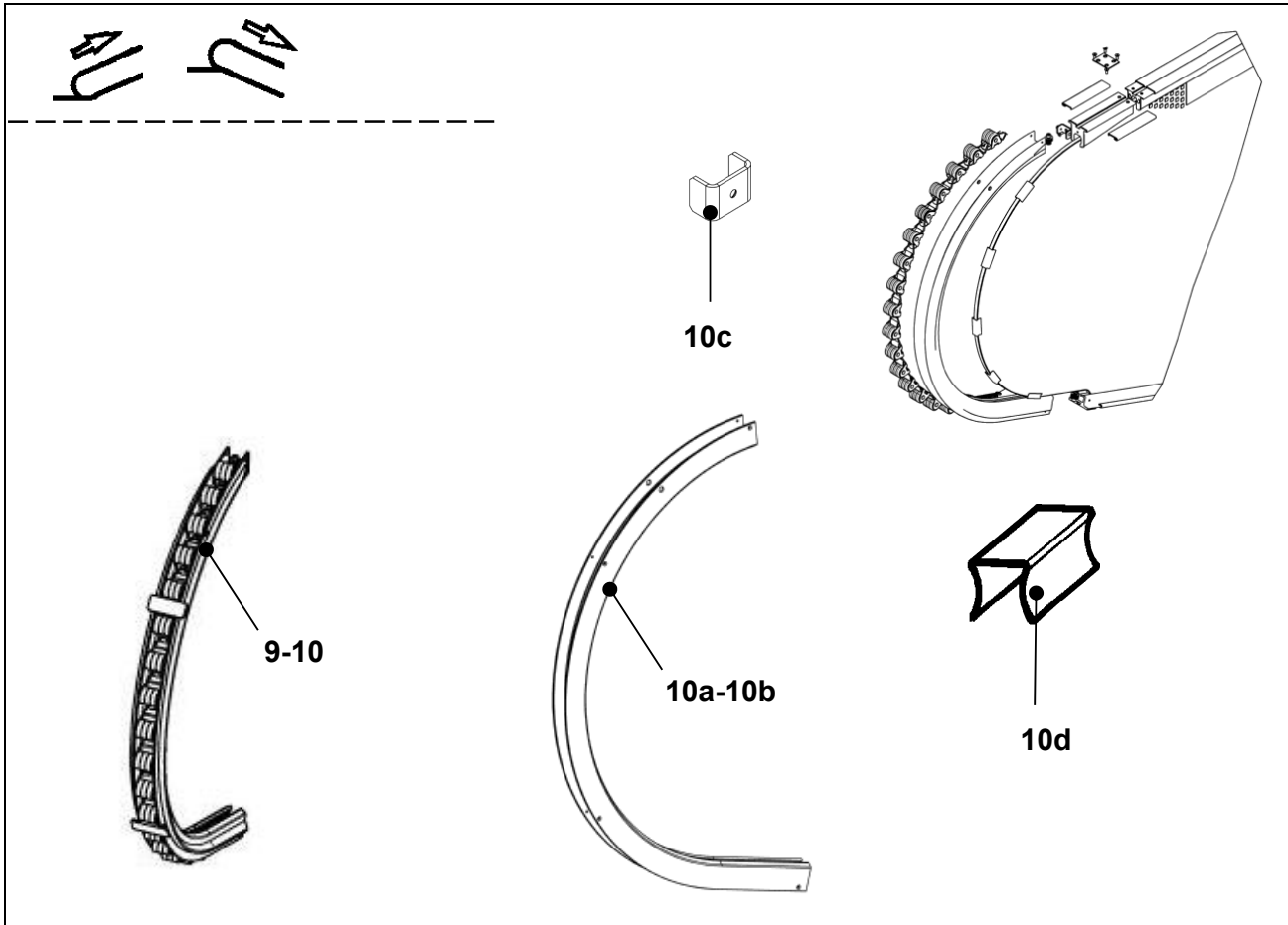
**Spare Parts Leaflet  
57-DBA26228BJ**



REF. No.	PART No.	DESCRIPTION
	<b>DBA26228BJ</b>	
4	DAA402ZP1	Handrail guide, passenger side, inclined section, L = 6000 mm
5	DAA402ZP-V1	Handrail guide, passenger side, inclined section, Length per spec.
6	GB70.2/M4X10-A2-70	Recessed Countersunk Head Screw
7	DAA386CTW1	Plate
8	DAA402ZB1	Transition piece

**508NCE/512NCE/515NPE-S/  
515NPE-L/LINK V2.8 ESCALATOR  
Handrail Guide w/ Illumination**

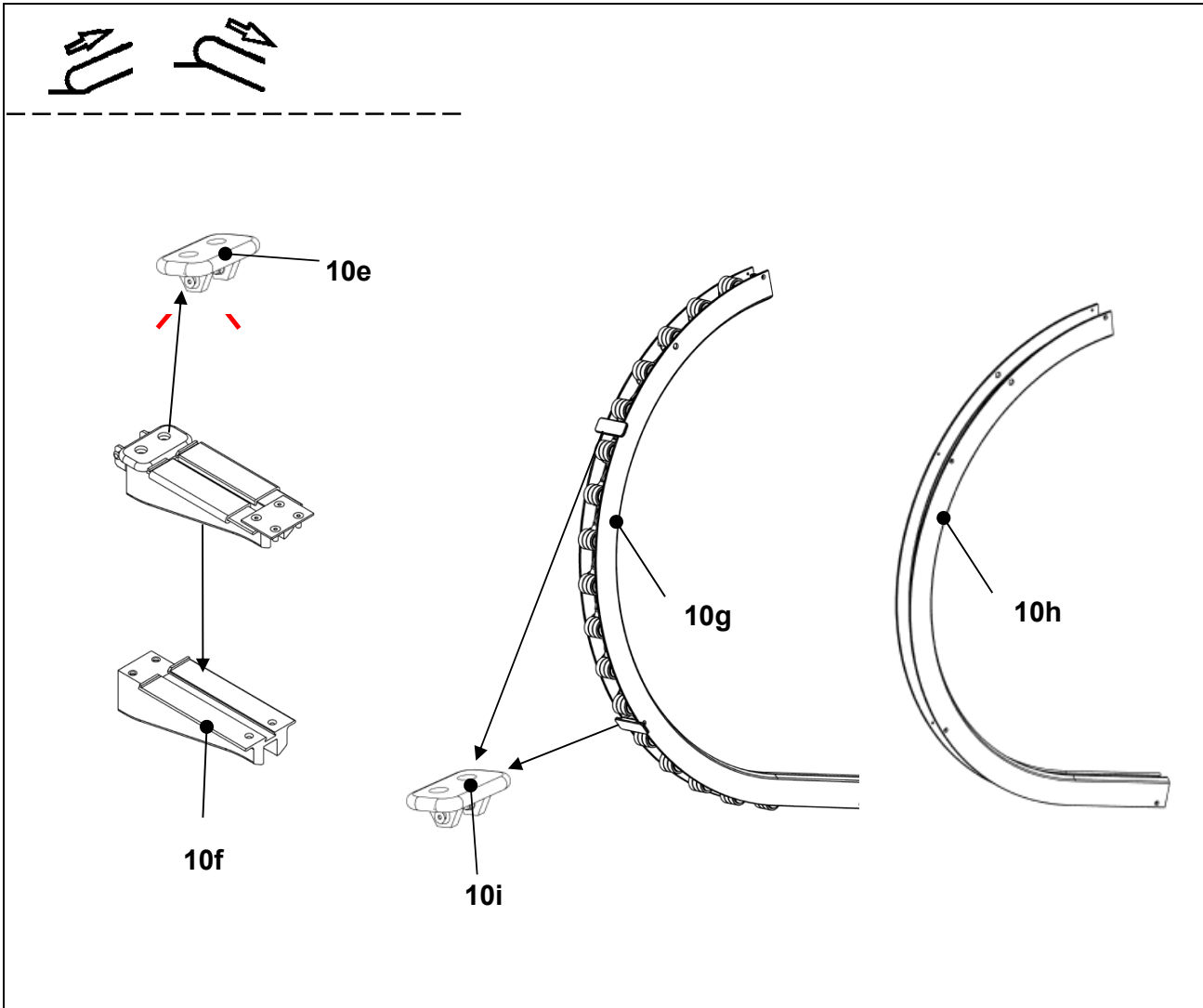
**Spare Parts Leaflet  
57-DBA26228BJ**



DBA26228BJ		
REF. No.	PART No.	DESCRIPTION
9	DAA402CR1	Roller bearing newel, BAL. 1000, for EN/HK/SAA/JIS
10	DAA402CR2	Roller bearing newel, BAL. 930, for EN/HK/SAA/JIS
10a	DAA402CB1	Newel profile, BAL. 1000, for EN/HK/SAA/JIS
	DAA402JM1	
10b	DAA402CB2	Newel profile, BAL. 930, for EN/HK/SAA/JIS
	DAA402JM2	
10c	GAA347ZM1	Bracket
10d	GAA94AV1	Spring Clip

**508NCE/512NCE/515NPE-S/  
515NPE-L/LINK V2.8 ESCALATOR  
Handrail Guide w/ Illumination**

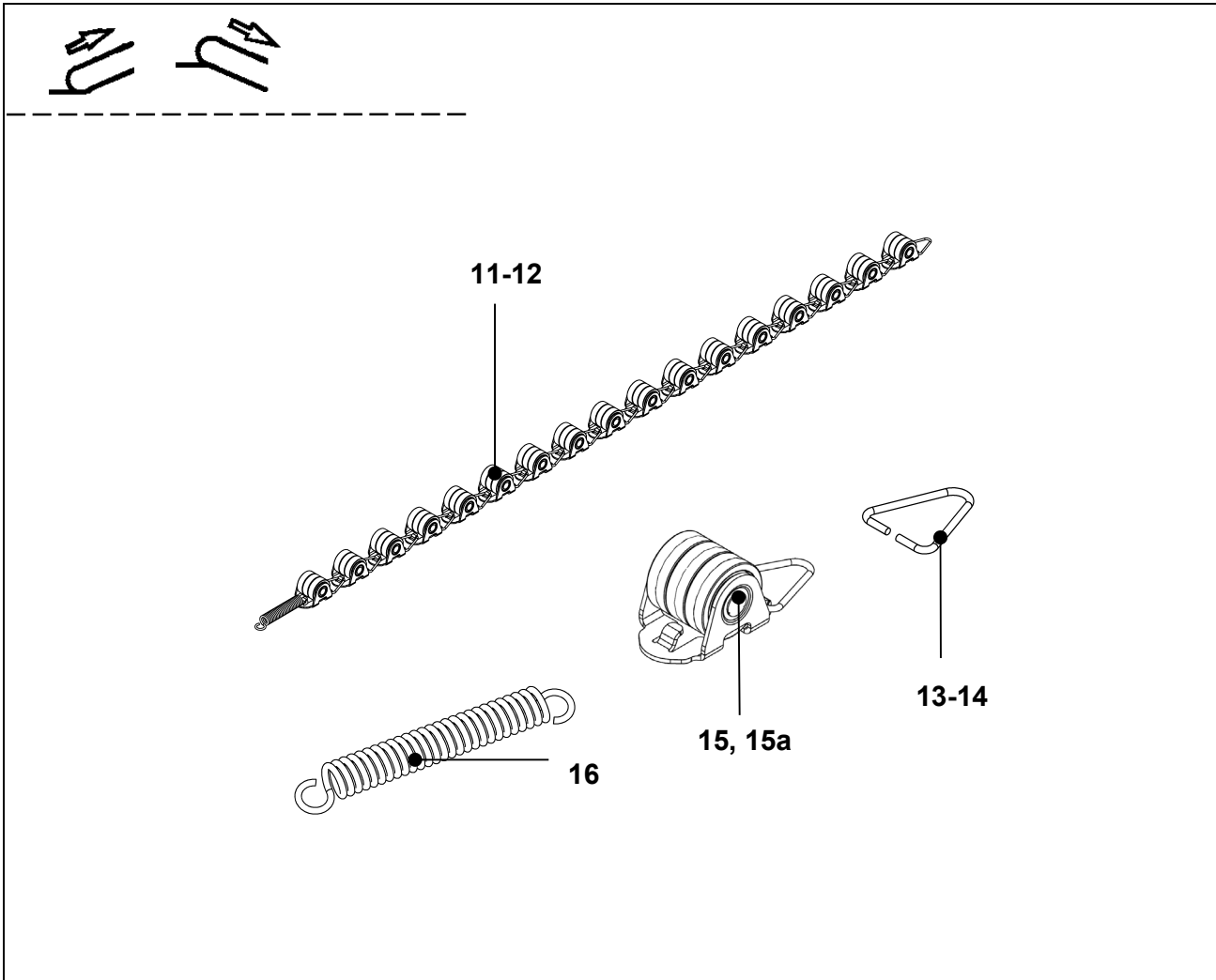
**Spare Parts Leaflet  
57-DBA26228BJ**



DBA26228BJ		
REF. No.	PART No.	DESCRIPTION
40e	DAA180JM1	Holder
40f	DAA402JL1	Transition piece
10g	DAA402CR3	Roller bearing newel profile, BAL. 1000, for ANSI
10h	DAA402JM1	Newel profile, BAL. 1000, for ANSI
10i	DAA180JM3	Holder

**508NCE/512NCE/515NPE-S/  
515NPE-L/LINK V2.8 ESCALATOR  
Handrail Guide w/ Illumination**

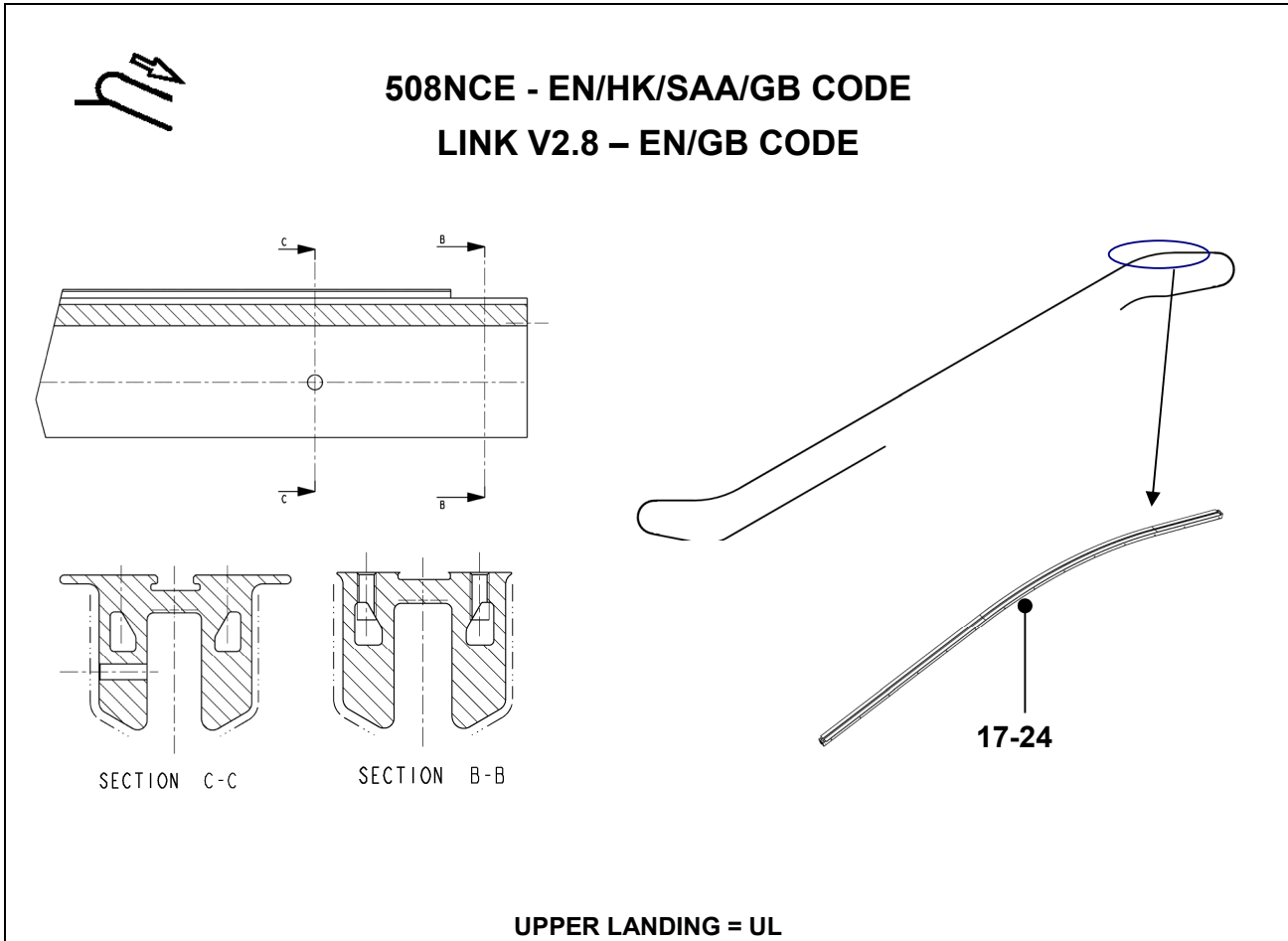
**Spare Parts Leaflet  
57-DBA26228BJ**



DBA26228BJ		
REF. No.	PART No.	DESCRIPTION
11	DAA332N1	Roller bearing newel, Glass BAL. 1000
12	DAA332N2	Roller bearing newel, Glass BAL. 930
13	DAA94C1	Triangle spring, BAL. 1000
14	DAA94C2	Triangle spring, BAL. 930
15	DAA456S1	Roller, BAL. 1000
15a	DAA456S2	Roller, BAL. 930
16	DAA91C1	Spring

**508NCE/512NCE/515NPE-S/  
515NPE-L/LINK V2.8 ESCALATOR  
Handrail Guide w/ Illumination**

**Spare Parts Leaflet  
57-DBA26228BJ**

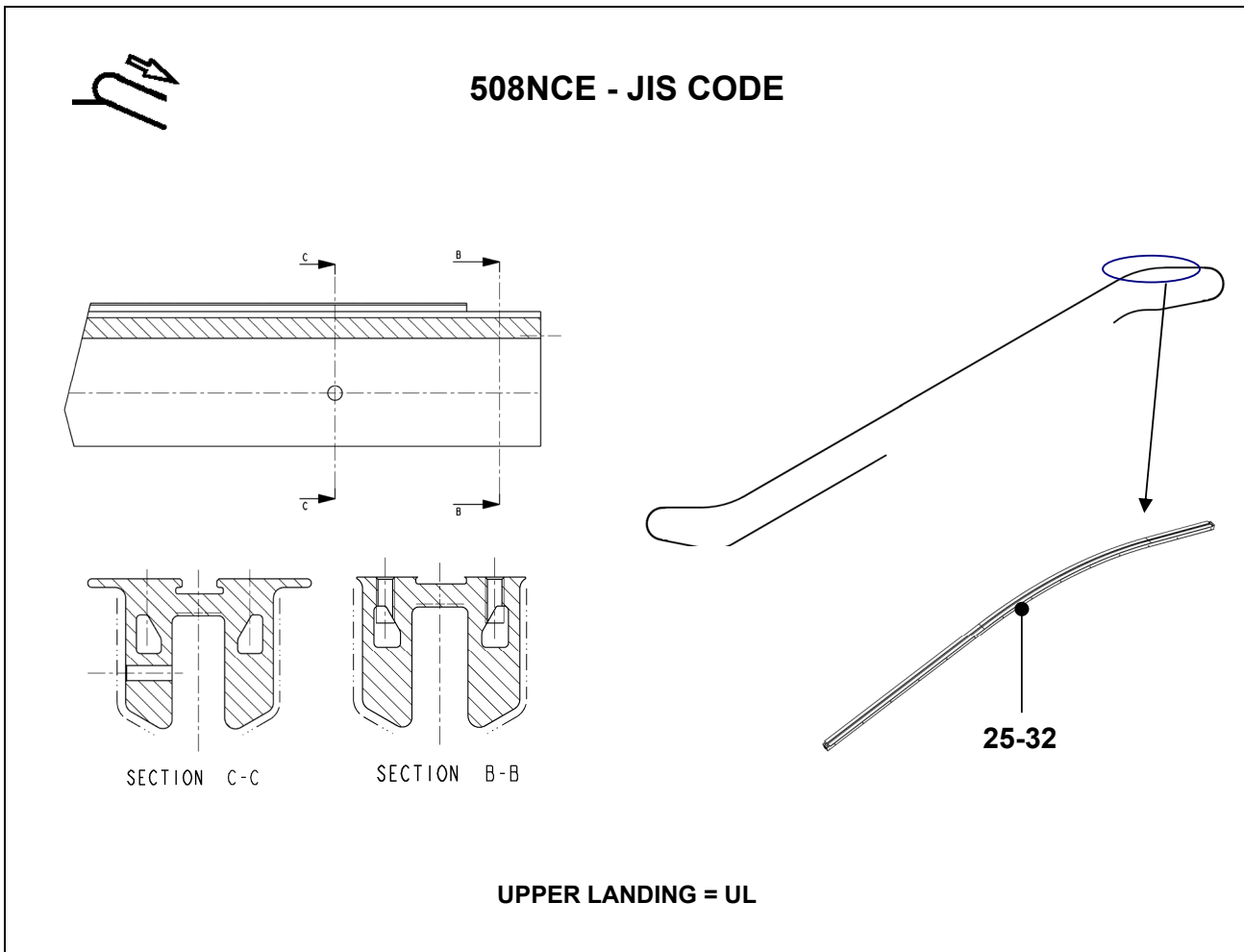


<b>DBA26228BJ</b>			
<b>REF. No.</b>	<b>PART No.</b>	<b>DESCRIPTION</b>	
17	DAA402ZM1	Handrail guide, passenger side, left side, UL	Bal. 930, 2 flat step, 30°
18	DAA402ZM2	Handrail guide, passenger side, right side, UL	
19	DAA402ZM3	Handrail guide, passenger side, left side, UL	Bal. 930, 3 flat step, 30°
20	DAA402ZM4	Handrail guide, passenger side, right side, UL	
21	DAA402ZM5	Handrail guide, passenger side, left side, UL	Bal. 1000, 2 flat step, 30°
22	DAA402ZM6	Handrail guide, passenger side, right side, UL	
23	DAA402ZM7	Handrail guide, passenger side, left side, UL	Bal. 1000, 3 flat step, 30°
24	DAA402ZM8	Handrail guide, passenger side, right side, UL	



**508NCE/512NCE/515NPE-S/  
515NPE-L/LINK V2.8 ESCALATOR  
Handrail Guide w/ Illumination**

**Spare Parts Leaflet  
57-DBA26228BJ**



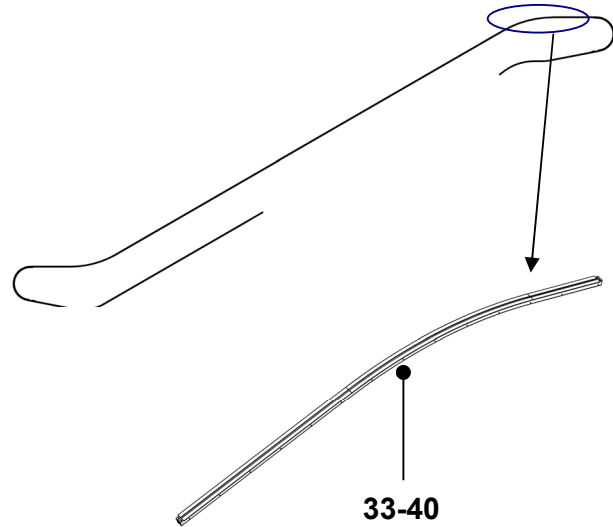
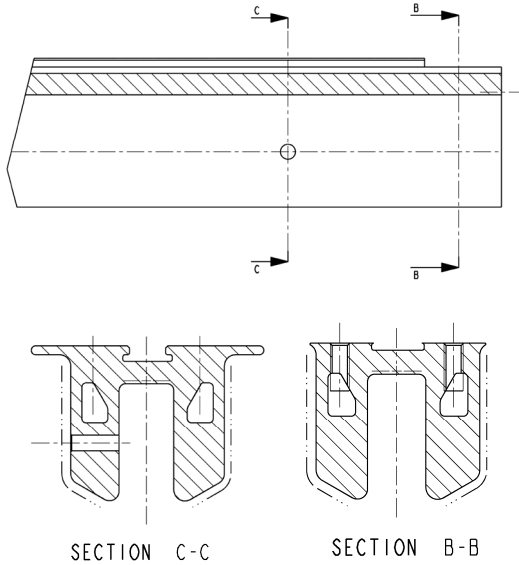
<b>DBA26228BJ</b>			
<b>REF. No.</b>	<b>PART No.</b>	<b>DESCRIPTION</b>	
25	DAA402ZM17	Handrail guide, passenger side, left side, UL	Bal. 930, 1.5 flat step, 30°
26	DAA402ZM18	Handrail guide, passenger side, right side, UL	
27	DAA402ZM19	Handrail guide, passenger side, left side, UL	Bal. 930, 3 flat step, 30°
28	DAA402ZM20	Handrail guide, passenger side, right side, UL	
29	DAA402ZM21	Handrail guide, passenger side, left side, UL	Bal. 1000, 1.5 flat step, 30°
30	DAA402ZM22	Handrail guide, passenger side, right side, UL	
31	DAA402ZM23	Handrail guide, passenger side, left side, UL	Bal. 1000, 3 flat step, 30°
32	DAA402ZM24	Handrail guide, passenger side, right side, UL	

**508NCE/512NCE/515NPE-S/  
515NPE-L/LINK V2.8 ESCALATOR  
Handrail Guide w/ Illumination**

**Spare Parts Leaflet  
57-DBA26228BJ**



**508NCE - EN/HK/SAA/JIS/GB CODE  
LINK V2.8 – EN/GB CODE**



**UPPER LANDING = UL**

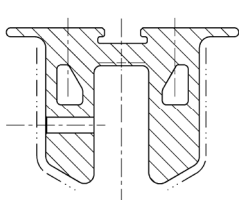
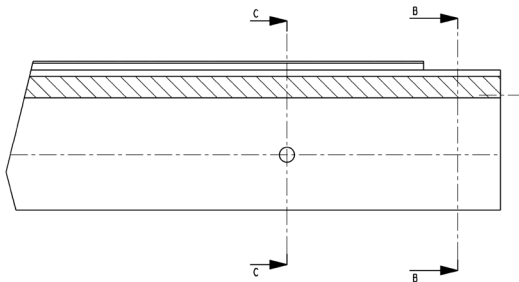
<b>DBA26228BJ</b>			
<b>REF. No.</b>	<b>PART No.</b>	<b>DESCRIPTION</b>	
33	DAA402ZM9	Handrail guide, passenger side, left side, UL	Bal. 930, 2 flat step, 35° (For JIS, 1.5 flat step)
34	DAA402ZM10	Handrail guide, passenger side, right side, UL	
35	DAA402ZM11	Handrail guide, passenger side, left side, UL	Bal. 930, 3 flat step, 35°
36	DAA402ZM12	Handrail guide, passenger side, right side, UL	
37	DAA402ZM13	Handrail guide, passenger side, left side, UL	Bal. 1000, 2 flat step, 35° (For JIS, 1.5 flat step)
38	DAA402ZM14	Handrail guide, passenger side, right side, UL	
39	DAA402ZM15	Handrail guide, passenger side, left side, UL	Bal. 1000, 3 flat step, 35°
40	DAA402ZM16	Handrail guide, passenger side, right side, UL	

**508NCE/512NCE/515NPE-S/  
515NPE-L/LINK V2.8 ESCALATOR  
Handrail Guide w/ Illumination**

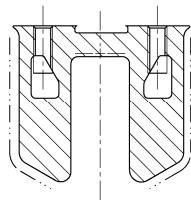
**Spare Parts Leaflet  
57-DBA26228BJ**



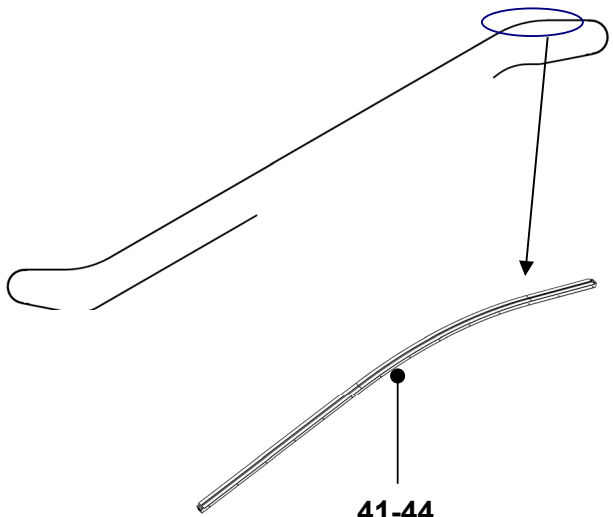
**508NCE – ANSI CODE**



SECTION C-C



SECTION B-B



**41-44**

**UPPER LANDING = UL**

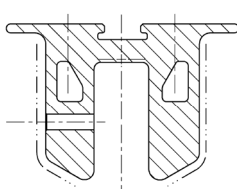
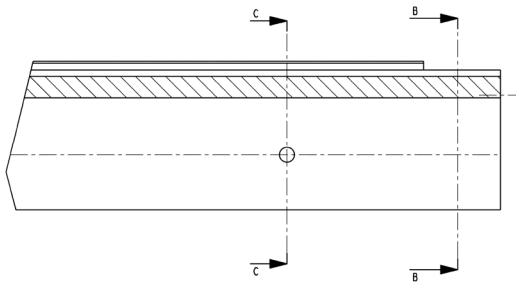
<b>DBA26228BJ</b>			
<b>REF. No.</b>	<b>PART No.</b>	<b>DESCRIPTION</b>	
41	DAA402ZM65	Handrail guide, passenger side, left side, UL	Bal. 1000, 2 flat step, 30°
42	DAA402ZM66	Handrail guide, passenger side, right side, UL	
43	DAA402ZM67	Handrail guide, passenger side, left side, UL	Bal. 1000, 3 flat step, 30°
44	DAA402ZM68	Handrail guide, passenger side, right side, UL	

**508NCE/512NCE/515NPE-S/  
515NPE-L/LINK V2.8 ESCALATOR  
Handrail Guide w/ Illumination**

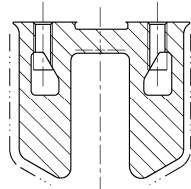
**Spare Parts Leaflet  
57-DBA26228BJ**



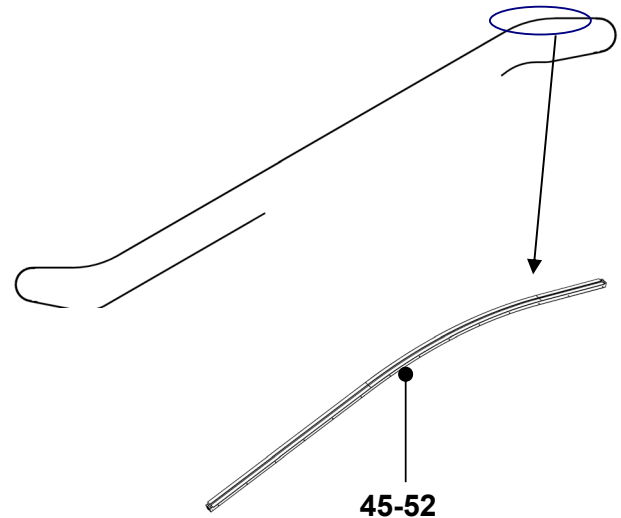
**515NPE-S - EN/HK/SAA/JIS/GB CODE**



SECTION C-C



SECTION B-B



**45-52**

**UPPER LANDING = UL**

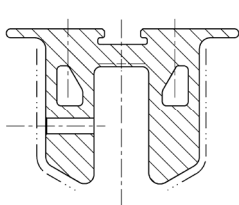
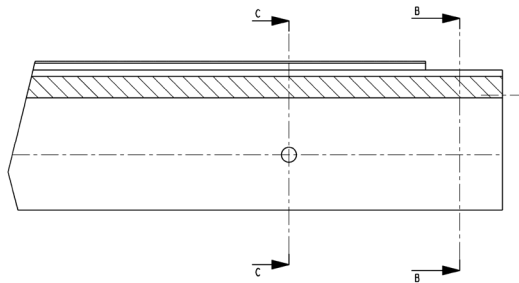
<b>DBA26228BJ</b>			
<b>REF. No.</b>	<b>PART No.</b>	<b>DESCRIPTION</b>	
45	DAA402ZM25	Handrail guide, passenger side, left side, UL	Bal. 930, 2 flat step, 30°
46	DAA402ZM26	Handrail guide, passenger side, right side, UL	
47	DAA402ZM27	Handrail guide, passenger side, left side, UL	Bal. 930, 3 flat step, 30°
48	DAA402ZM28	Handrail guide, passenger side, right side, UL	
49	DAA402ZM29	Handrail guide, passenger side, left side, UL	Bal. 1000, 2 flat step, 30°
50	DAA402ZM30	Handrail guide, passenger side, right side, UL	
51	DAA402ZM31	Handrail guide, passenger side, left side, UL	Bal. 1000, 3 flat step, 30°
52	DAA402ZM32	Handrail guide, passenger side, right side, UL	

**508NCE/512NCE/515NPE-S/  
515NPE-L/LINK V2.8 ESCALATOR  
Handrail Guide w/ Illumination**

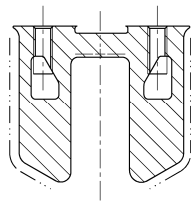
**Spare Parts Leaflet  
57-DBA26228BJ**



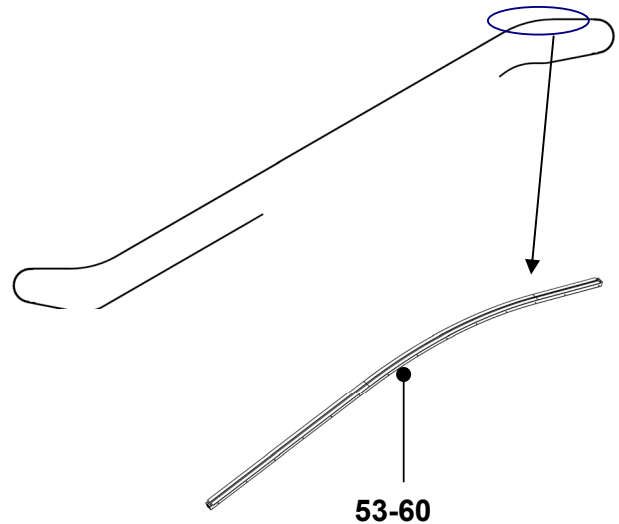
**515NPE-S - EN/HK/SAA/JIS/GB CODE**



SECTION C-C



SECTION B-B



**UPPER LANDING = UL**

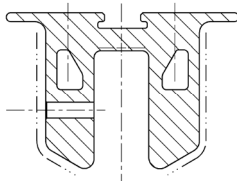
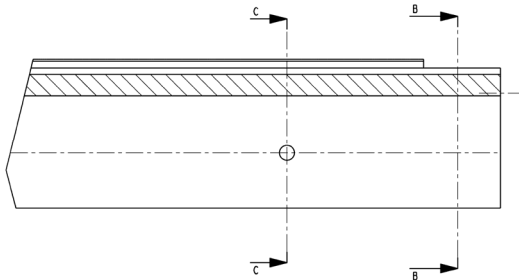
<b>DBA26228BJ</b>			
<b>REF. No.</b>	<b>PART No.</b>	<b>DESCRIPTION</b>	
53	DAA402ZM33	Handrail guide, passenger side, left side, UL	Bal. 930, 2 flat step, 35°
54	DAA402ZM34	Handrail guide, passenger side, right side, UL	
55	DAA402ZM35	Handrail guide, passenger side, left side, UL	Bal. 930, 3 flat step, 35°
56	DAA402ZM36	Handrail guide, passenger side, right side, UL	
57	DAA402ZM37	Handrail guide, passenger side, left side, UL	Bal. 1000, 2 flat step, 35°
58	DAA402ZM38	Handrail guide, passenger side, right side, UL	
59	DAA402ZM39	Handrail guide, passenger side, left side, UL	Bal. 1000, 3 flat step, 35°
60	DAA402ZM40	Handrail guide, passenger side, right side, UL	

**508NCE/512NCE/515NPE-S/  
515NPE-L/LINK V2.8 ESCALATOR  
Handrail Guide w/ Illumination**

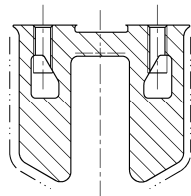
**Spare Parts Leaflet  
57-DBA26228BJ**

*Hand*

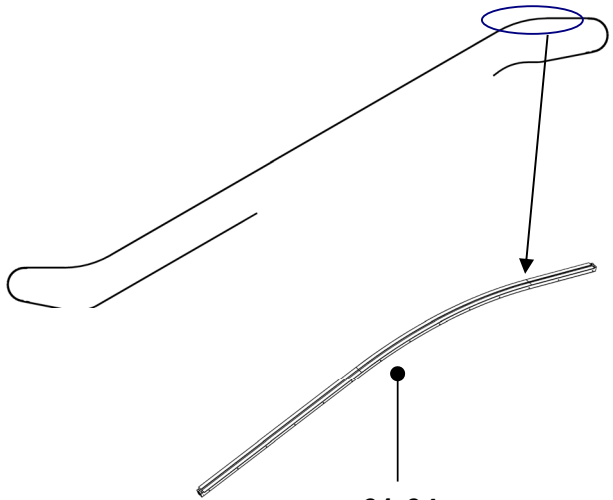
**512NCE – ANSI CODE**



SECTION C-C



SECTION B-B



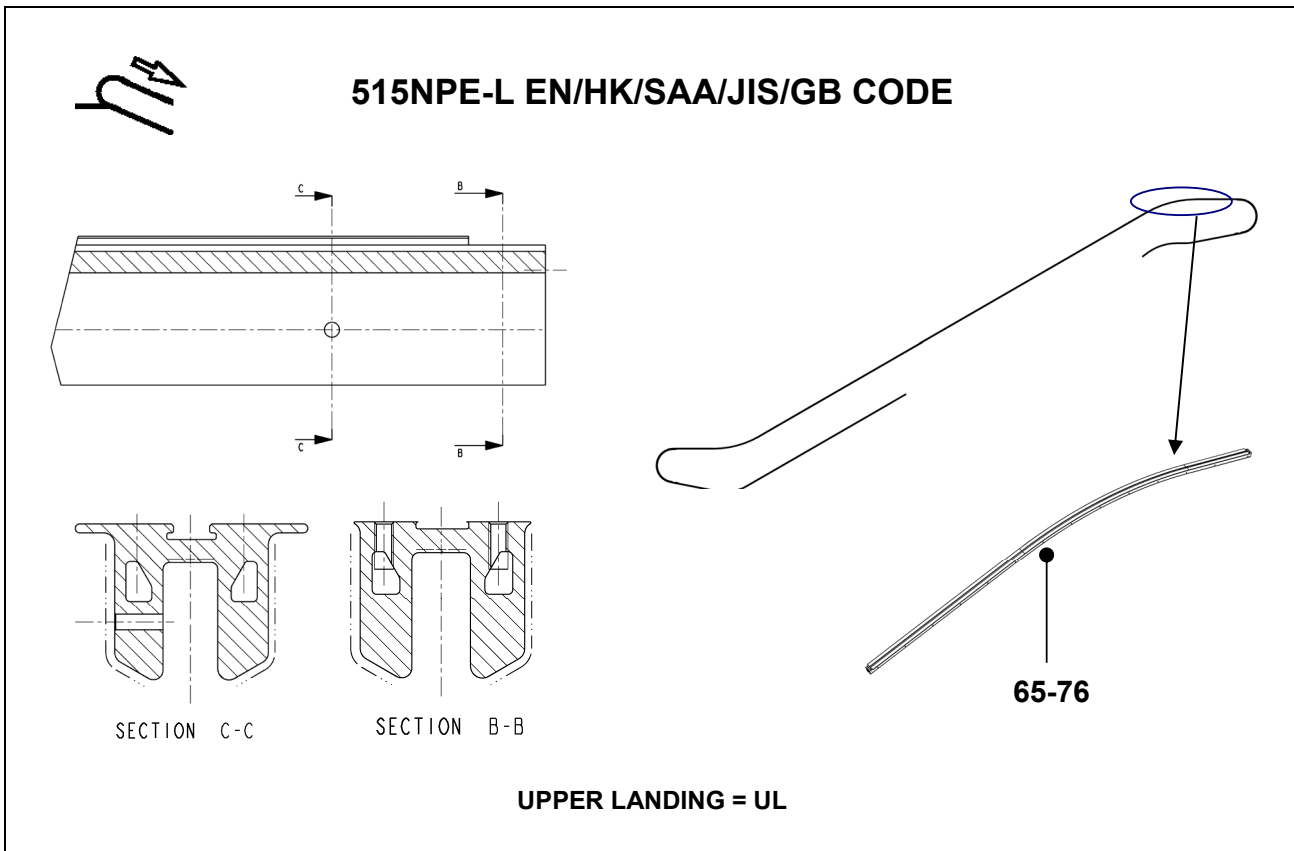
**61-64**

**UPPER LANDING = UL**

<b>DBA26228BJ</b>			
<b>REF. No.</b>	<b>PART No.</b>	<b>DESCRIPTION</b>	
61	DAA402ZM69	Handrail guide, passenger side, left side, UL	Bal. 1000, 2 flat step, 30°
62	DAA402ZM70	Handrail guide, passenger side, right side, UL	
63	DAA402ZM71	Handrail guide, passenger side, left side, UL	Bal. 1000, 3 flat step, 30°
64	DAA402ZM72	Handrail guide, passenger side, right side, UL	

**508NCE/512NCE/515NPE-S/  
515NPE-L/LINK V2.8 ESCALATOR  
Handrail Guide w/ Illumination**

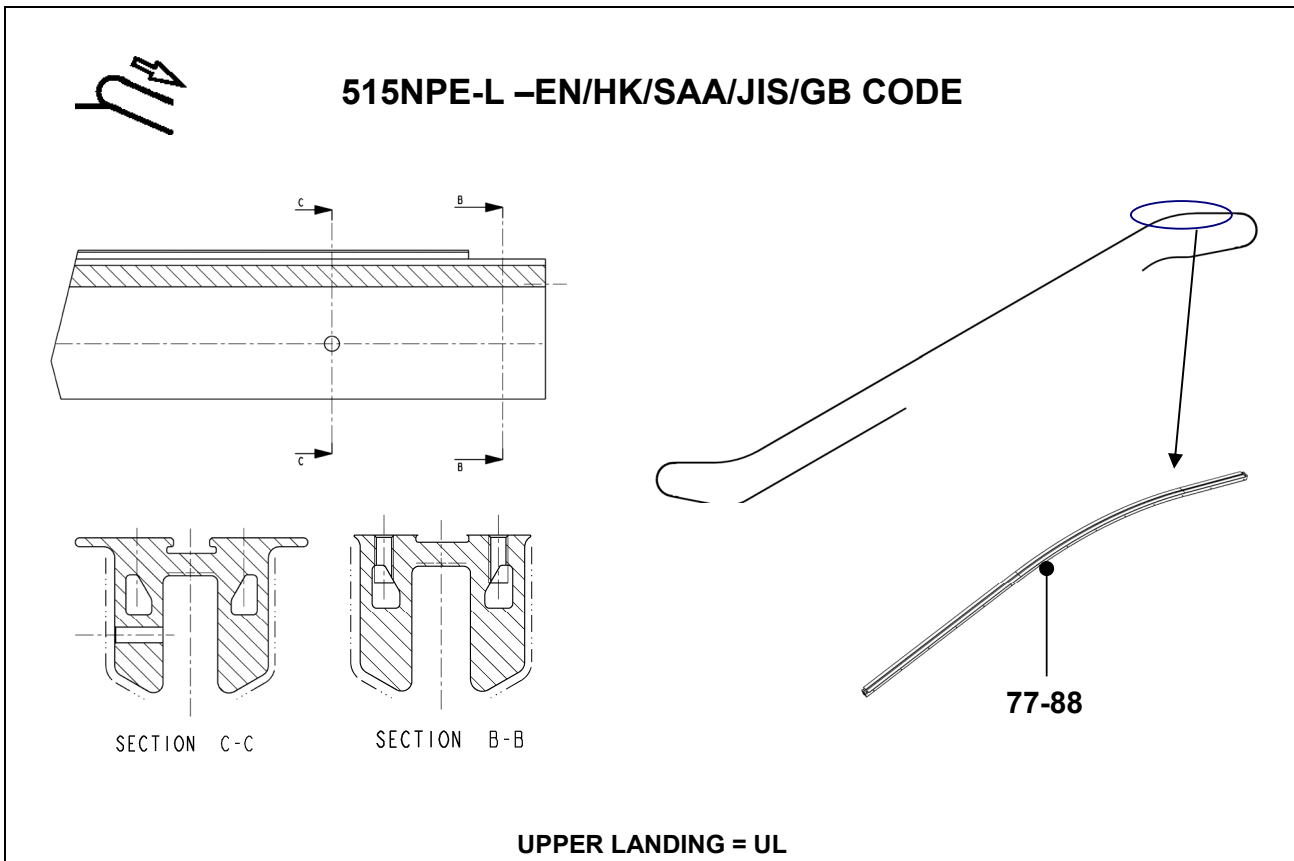
**Spare Parts Leaflet  
57-DBA26228BJ**



<b>DBA26228BJ</b>			
<b>REF. No.</b>	<b>PART No.</b>	<b>DESCRIPTION</b>	
65	DAA402ZM41	Handrail guide, passenger side, left side, UL	Bal. 930, 2 flat step, 30°
66	DAA402ZM42	Handrail guide, passenger side, right side, UL	
67	DAA402ZM43	Handrail guide, passenger side, left side, UL	Bal. 930, 3 flat step, 30°
68	DAA402ZM44	Handrail guide, passenger side, right side, UL	
69	DAA402ZM45	Handrail guide, passenger side, left side, UL	Bal. 930, 4 flat step, 30°
70	DAA402ZM46	Handrail guide, passenger side, right side, UL	
71	DAA402ZM47	Handrail guide, passenger side, left side, UL	Bal. 1000, 2 flat step, 30°
72	DAA402ZM48	Handrail guide, passenger side, right side, UL	
73	DAA402ZM49	Handrail guide, passenger side, left side, UL	Bal. 1000, 3 flat step, 30°
74	DAA402ZM50	Handrail guide, passenger side, right side, UL	
75	DAA402ZM51	Handrail guide, passenger side, left side, UL	Bal. 1000, 4 flat step, 30°
76	DAA402ZM52	Handrail guide, passenger side, right side, UL	

**508NCE/512NCE/515NPE-S/  
515NPE-L/LINK V2.8 ESCALATOR  
Handrail Guide w/ Illumination**

**Spare Parts Leaflet  
57-DBA26228BJ**

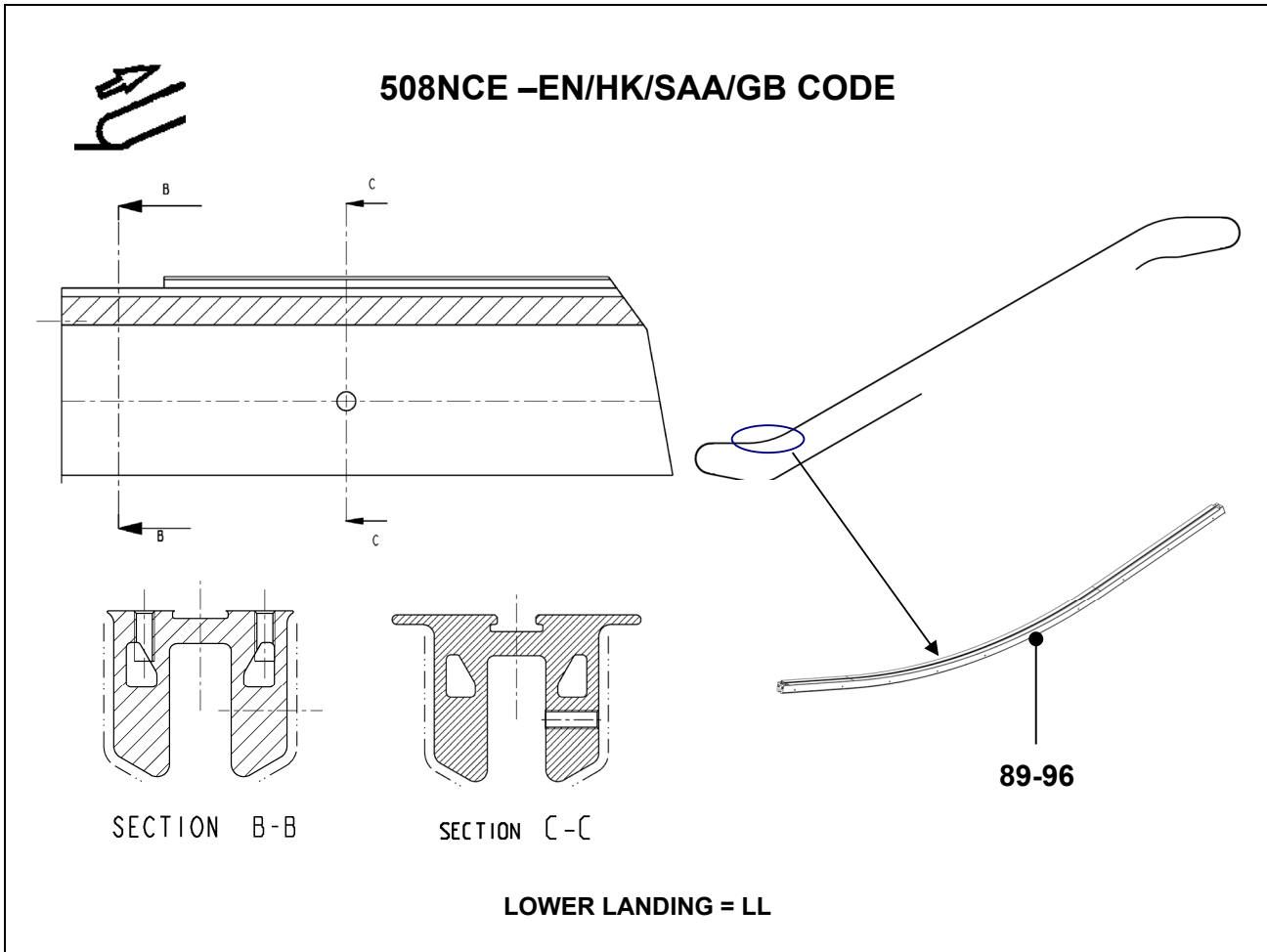


DBA26228BJ		
REF. No.	PART No.	DESCRIPTION
77	DAA402ZM53	Handrail guide, passenger side, left side, UL
78	DAA402ZM54	Handrail guide, passenger side, right side, UL
79	DAA402ZM55	Handrail guide, passenger side, left side, UL
80	DAA402ZM56	Handrail guide, passenger side, right side, UL
81	DAA402ZM57	Handrail guide, passenger side, left side, UL
82	DAA402ZM58	Handrail guide, passenger side, right side, UL
83	DAA402ZM59	Handrail guide, passenger side, left side, UL
84	DAA402ZM60	Handrail guide, passenger side, right side, UL
85	DAA402ZM61	Handrail guide, passenger side, left side, UL
86	DAA402ZM62	Handrail guide, passenger side, right side, UL
87	DAA402ZM63	Handrail guide, passenger side, left side, UL
88	DAA402ZM64	Handrail guide, passenger side, right side, UL



**508NCE/512NCE/515NPE-S/  
515NPE-L/LINK V2.8 ESCALATOR  
Handrail Guide w/ Illumination**

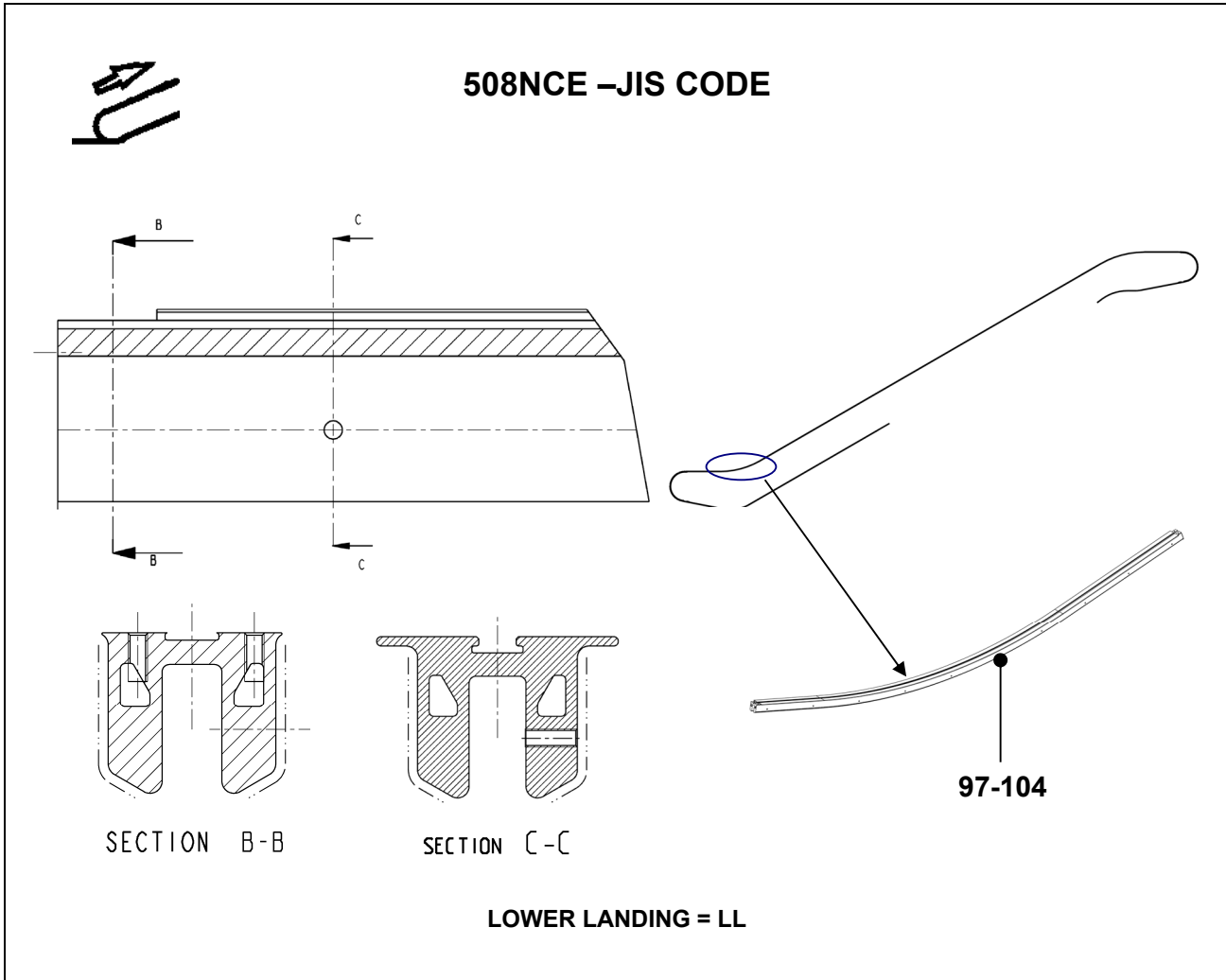
**Spare Parts Leaflet  
57-DBA26228BJ**



<b>DBA26228BJ</b>			
<b>REF. No.</b>	<b>PART No.</b>	<b>DESCRIPTION</b>	
89	DAA402ZN1	Handrail guide, passenger side, left side, LL	Bal. 930, 2 flat step, 30°
90	DAA402ZN2	Handrail guide, passenger side, right side, LL	
91	DAA402ZN3	Handrail guide, passenger side, left side, LL	Bal. 930, 3 flat step, 30°
92	DAA402ZN4	Handrail guide, passenger side, right side, LL	
93	DAA402ZN5	Handrail guide, passenger side, left side, LL	Bal. 1000, 2 flat step, 30°
94	DAA402ZN6	Handrail guide, passenger side, right side, LL	
95	DAA402ZN7	Handrail guide, passenger side, left side, LL	Bal. 1000, 3 flat step, 30°
96	DAA402ZN8	Handrail guide, passenger side, right side, LL	

**508NCE/512NCE/515NPE-S/  
515NPE-L/LINK V2.8 ESCALATOR  
Handrail Guide w/ Illumination**

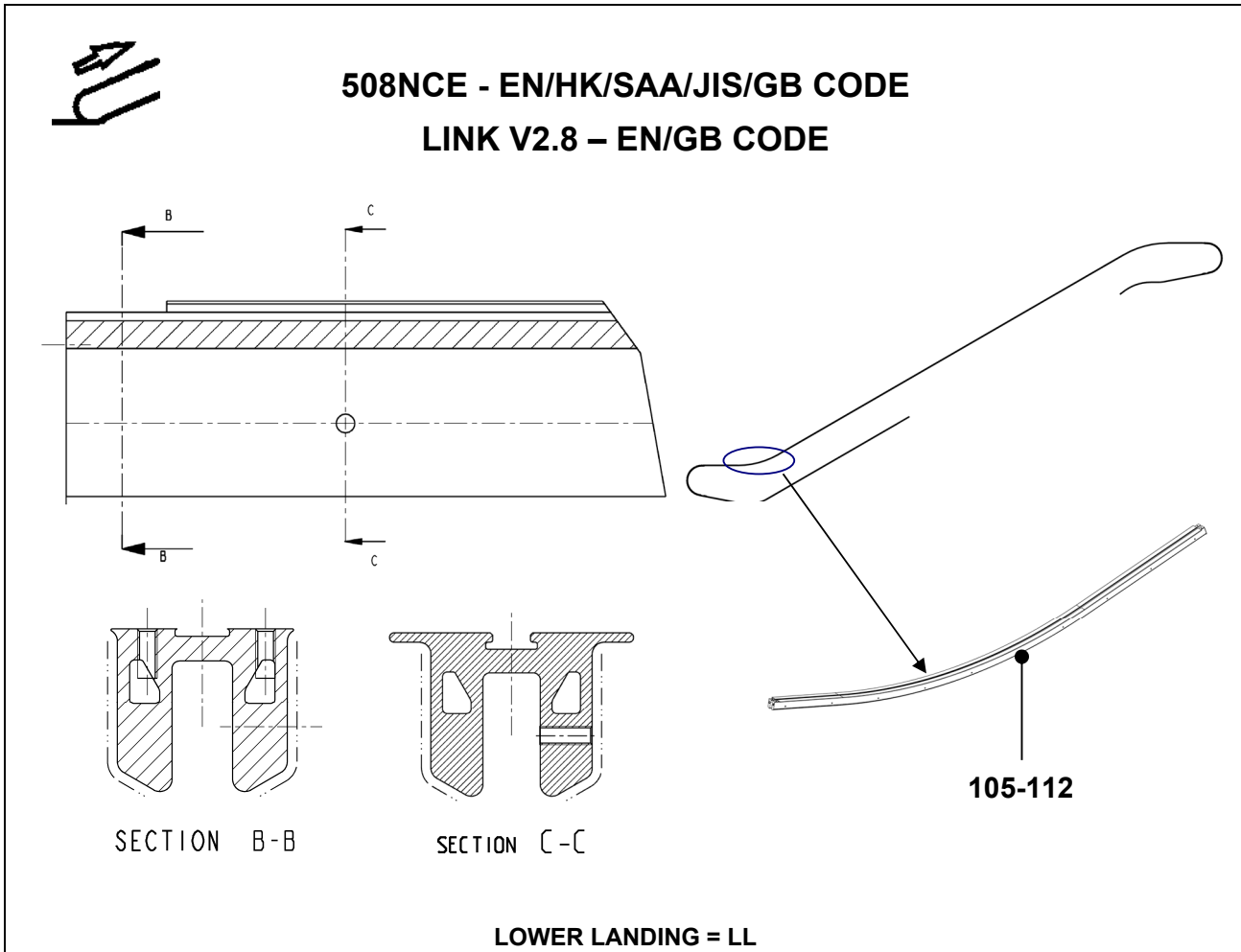
**Spare Parts Leaflet  
57-DBA26228BJ**



<b>DBA26228BJ</b>			
<b>REF. No.</b>	<b>PART No.</b>	<b>DESCRIPTION</b>	
97	DAA402ZN17	Handrail guide, passenger side, left side, LL	Bal. 930, 1.5 flat step, 30°
98	DAA402ZN18	Handrail guide, passenger side, right side, LL	
99	DAA402ZN19	Handrail guide, passenger side, left side, LL	Bal. 930, 3 flat step, 30°
100	DAA402ZN20	Handrail guide, passenger side, right side, LL	
101	DAA402ZN21	Handrail guide, passenger side, left side, LL	Bal. 1000, 1.5 flat step, 30°
102	DAA402ZN22	Handrail guide, passenger side, right side, LL	
103	DAA402ZN23	Handrail guide, passenger side, left side, LL	Bal. 1000, 3 flat step, 30°
104	DAA402ZN24	Handrail guide, passenger side, right side, LL	

**508NCE/512NCE/515NPE-S/  
515NPE-L/LINK V2.8 ESCALATOR  
Handrail Guide w/ Illumination**

**Spare Parts Leaflet  
57-DBA26228BJ**



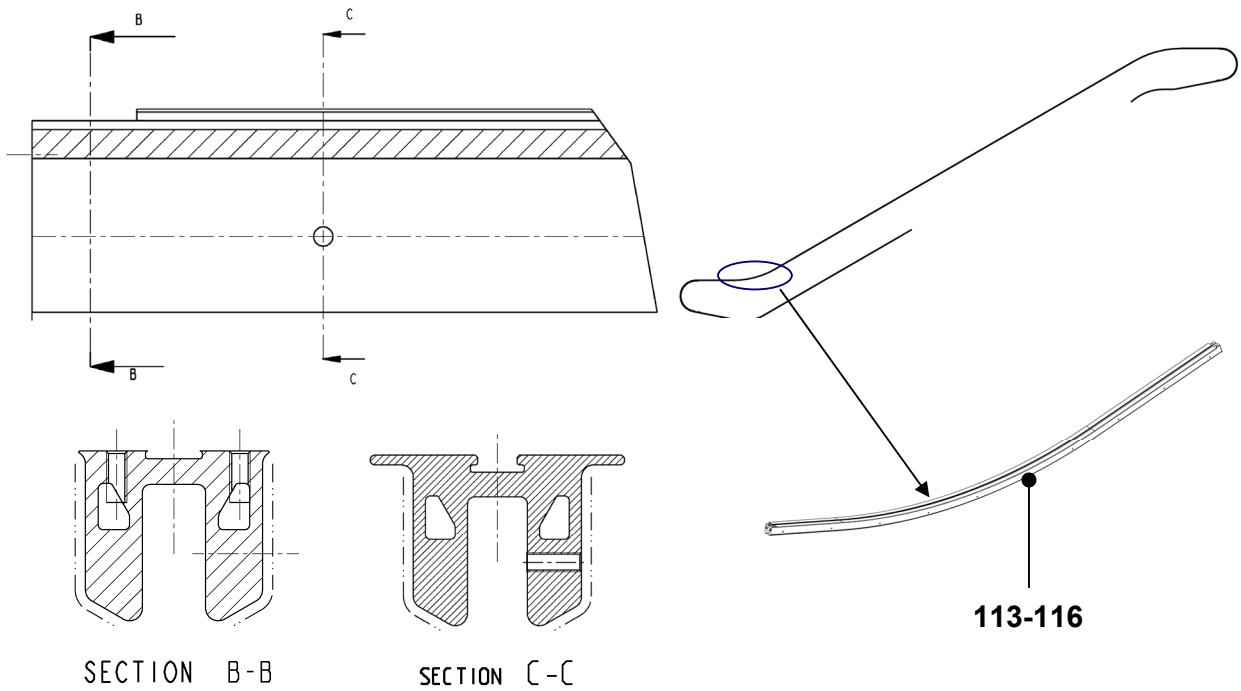
<b>DBA26228BJ</b>			
<b>REF. No.</b>	<b>PART No.</b>	<b>DESCRIPTION</b>	
105	DAA402ZN9	Handrail guide, passenger side, left side, LL	Bal. 930, 2 flat step, 35°
106	DAA402ZN10	Handrail guide, passenger side, right side, LL	(For JIS, 1.5 flat step)
107	DAA402ZN11	Handrail guide, passenger side, left side, LL	Bal. 930, 3 flat step, 35°
108	DAA402ZN12	Handrail guide, passenger side, right side, LL	
109	DAA402ZN13	Handrail guide, passenger side, left side, LL	Bal. 1000, 2 flat step, 35° (For JIS, 1.5 flat step)
110	DAA402ZN14	Handrail guide, passenger side, right side, LL	
111	DAA402ZN15	Handrail guide, passenger side, left side, LL	Bal. 1000, 3 flat step, 35°
112	DAA402ZN16	Handrail guide, passenger side, right side, LL	

**508NCE/512NCE/515NPE-S/  
515NPE-L/LINK V2.8 ESCALATOR  
Handrail Guide w/ Illumination**

**Spare Parts Leaflet  
57-DBA26228BJ**



**508NCE - ANSI CODE**

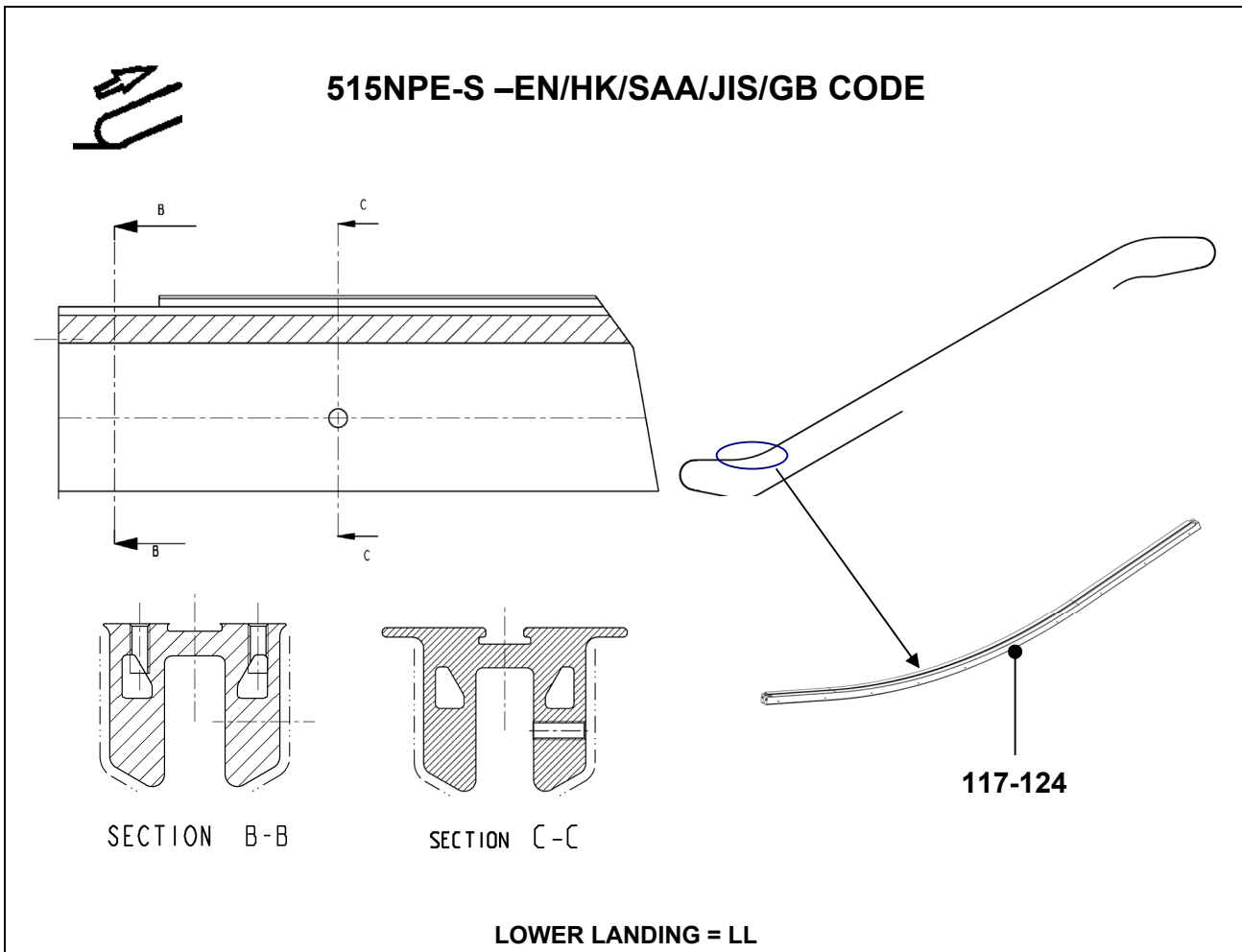


**LOWER LANDING = LL**

DBA26228BJ			
REF. No.	PART No.	DESCRIPTION	
113	DAA402ZN65	Handrail guide, passenger side, left side, LL	Bal. 1000, 2 flat step, 30°
114	DAA402ZN66	Handrail guide, passenger side, right side, LL	
115	DAA402ZN67	Handrail guide, passenger side, left side, LL	Bal. 1000, 3 flat step, 30°
116	DAA402ZN68	Handrail guide, passenger side, right side, LL	

**508NCE/512NCE/515NPE-S/  
515NPE-L/LINK V2.8 ESCALATOR  
Handrail Guide w/ Illumination**

**Spare Parts Leaflet  
57-DBA26228BJ**



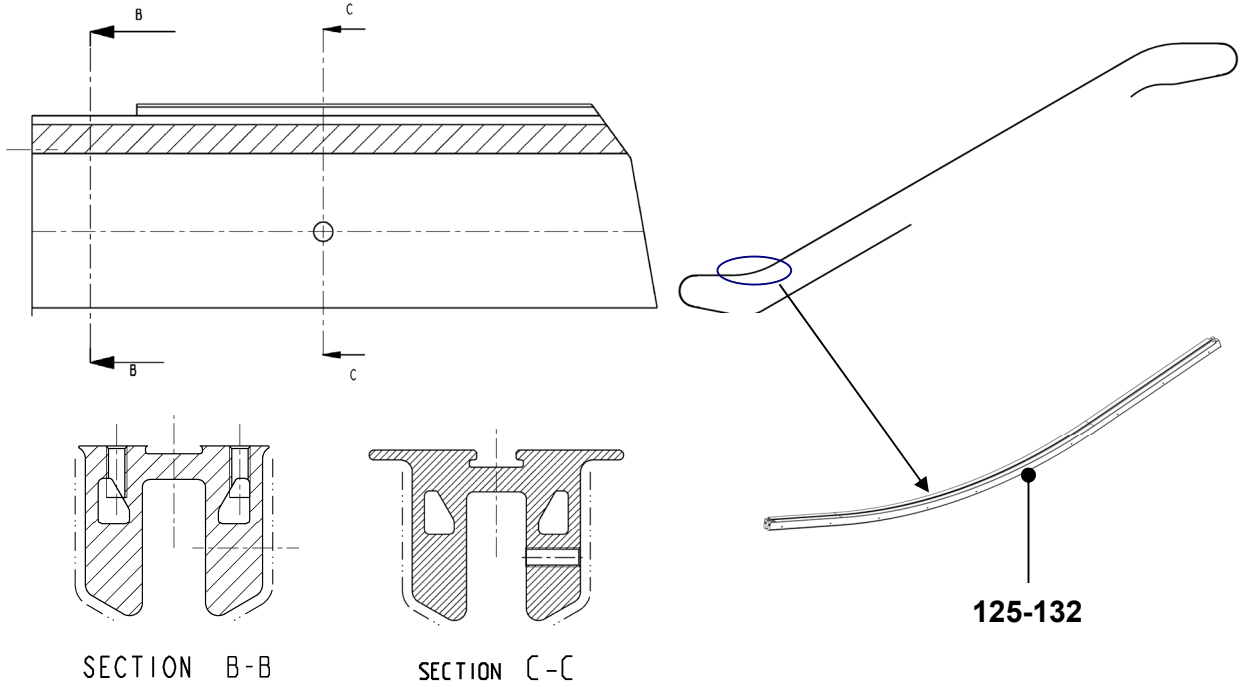
<b>DBA26228BJ</b>			
<b>REF. No.</b>	<b>PART No.</b>	<b>DESCRIPTION</b>	
117	DAA402ZN25	Handrail guide, passenger side, left side, LL	Bal. 930, 2 flat step, 30°
118	DAA402ZN26	Handrail guide, passenger side, right side, LL	
119	DAA402ZN27	Handrail guide, passenger side, left side, LL	Bal. 930, 3 flat step, 30°
120	DAA402ZN28	Handrail guide, passenger side, right side, LL	
121	DAA402ZN29	Handrail guide, passenger side, left side, LL	Bal. 1000, 2 flat step, 30°
122	DAA402ZN30	Handrail guide, passenger side, right side, LL	
123	DAA402ZN31	Handrail guide, passenger side, left side, LL	Bal. 1000, 3 flat step, 30°
124	DAA402ZN32	Handrail guide, passenger side, right side, LL	

**508NCE/512NCE/515NPE-S/  
515NPE-L/LINK V2.8 ESCALATOR  
Handrail Guide w/ Illumination**

**Spare Parts Leaflet  
57-DBA26228BJ**



**515NPE-S - EN/HK/SAA/JIS/GB CODE**



**LOWER LANDING = LL**

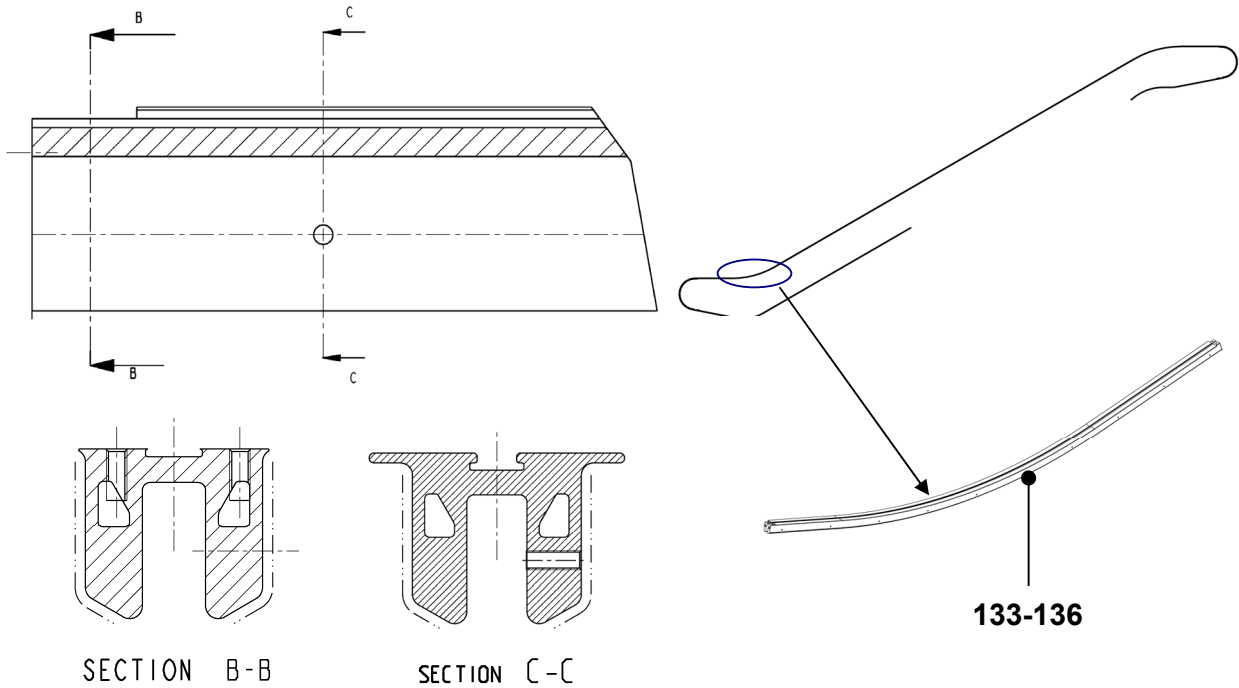
DBA26228BJ			
REF. No.	PART No.	DESCRIPTION	
125	DAA402ZN33	Handrail guide, passenger side, left side, LL	Bal. 930, 2 flat step, 35°
126	DAA402ZN34	Handrail guide, passenger side, right side, LL	
127	DAA402ZN35	Handrail guide, passenger side, left side, LL	Bal. 930, 3 flat step, 35°
128	DAA402ZN36	Handrail guide, passenger side, right side, LL	
129	DAA402ZN37	Handrail guide, passenger side, left side, LL	Bal. 1000, 2 flat step, 35°
130	DAA402ZN38	Handrail guide, passenger side, right side, LL	
131	DAA402ZN39	Handrail guide, passenger side, left side, LL	Bal. 1000, 3 flat step, 35°
132	DAA402ZN40	Handrail guide, passenger side, right side, LL	

**508NCE/512NCE/515NPE-S/  
515NPE-L/LINK V2.8 ESCALATOR  
Handrail Guide w/ Illumination**

**Spare Parts Leaflet  
57-DBA26228BJ**



**512NCE - ANSI CODE**

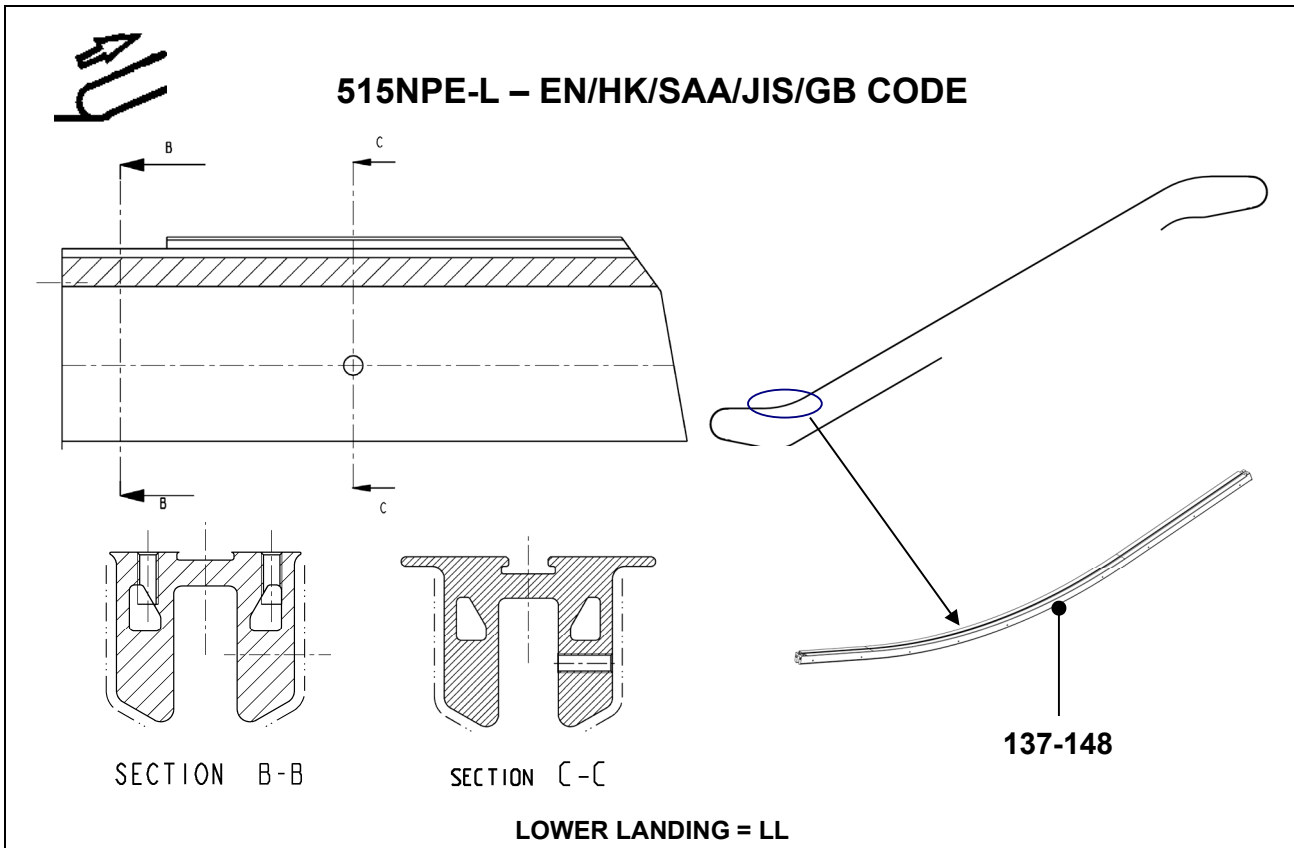


**LOWER LANDING = LL**

DBA26228BJ			
REF. No.	PART No.	DESCRIPTION	
133	DAA402ZN69	Handrail guide, passenger side, left side, LL	Bal. 1000, 2 flat step, 30°
134	DAA402ZN70	Handrail guide, passenger side, right side, LL	
135	DAA402ZN71	Handrail guide, passenger side, left side, LL	Bal. 1000, 3 flat step, 30°
136	DAA402ZN72	Handrail guide, passenger side, right side, LL	

**508NCE/512NCE/515NPE-S/  
515NPE-L/LINK V2.8 ESCALATOR  
Handrail Guide w/ Illumination**

**Spare Parts Leaflet  
57-DBA26228BJ**

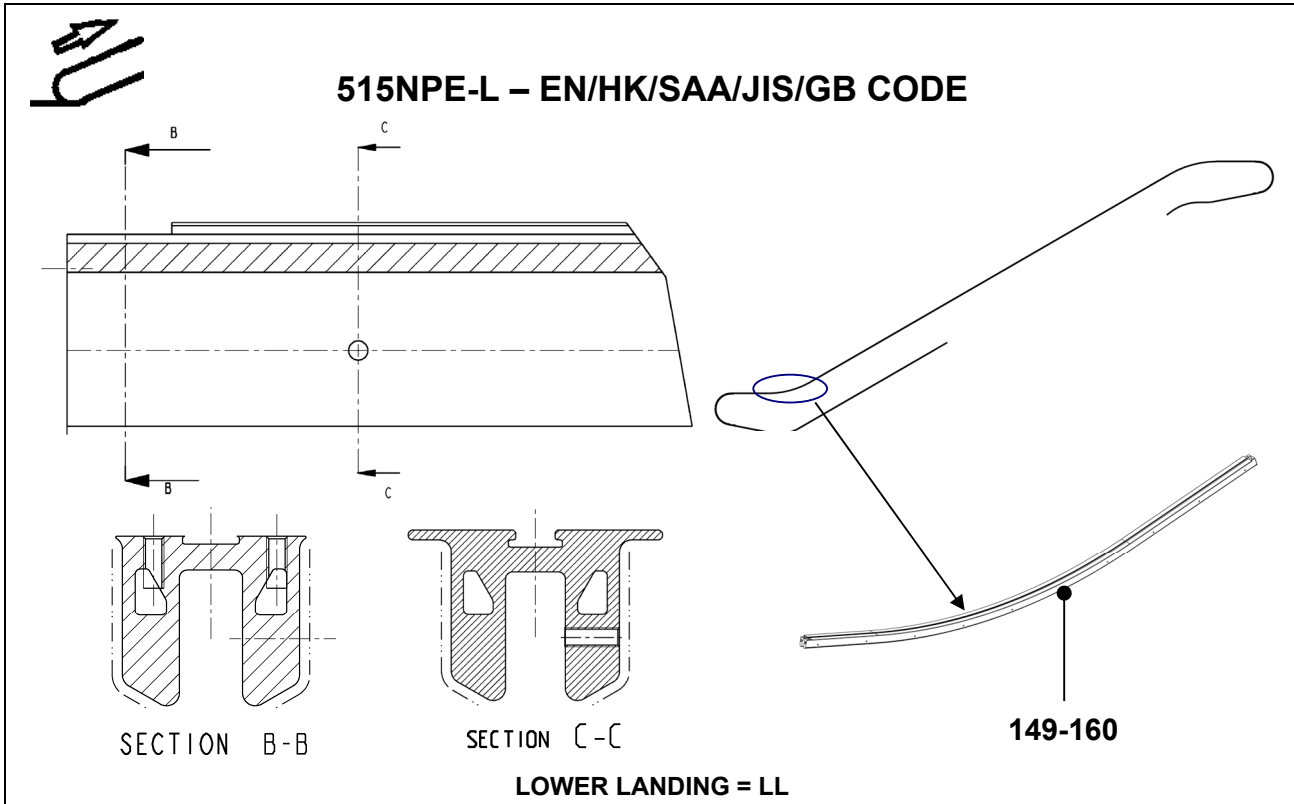


<b>DBA26228BJ</b>			
<b>REF. No.</b>	<b>PART No.</b>	<b>DESCRIPTION</b>	
137	DAA402ZN41	Handrail guide, passenger side, left side, LL	Bal. 930, 2 flat step, 30°
138	DAA402ZN42	Handrail guide, passenger side, right side, LL	
139	DAA402ZN43	Handrail guide, passenger side, left side, LL	Bal. 930, 3 flat step, 30°
140	DAA402ZN44	Handrail guide, passenger side, right side, LL	
141	DAA402ZN45	Handrail guide, passenger side, left side, LL	Bal. 930, 4 flat step, 30°
142	DAA402ZN46	Handrail guide, passenger side, right side, LL	
143	DAA402ZN47	Handrail guide, passenger side, left side, LL	Bal. 1000, 2 flat step, 30°
144	DAA402ZN48	Handrail guide, passenger side, right side, LL	
145	DAA402ZN49	Handrail guide, passenger side, left side, LL	Bal. 1000, 3 flat step, 30°
146	DAA402ZN50	Handrail guide, passenger side, right side, LL	
147	DAA402ZN51	Handrail guide, passenger side, left side, LL	Bal. 1000, 4 flat step, 30°
148	DAA402ZN52	Handrail guide, passenger side, right side, LL	



**508NCE/512NCE/515NPE-S/  
515NPE-L/LINK V2.8 ESCALATOR  
Handrail Guide w/ Illumination**

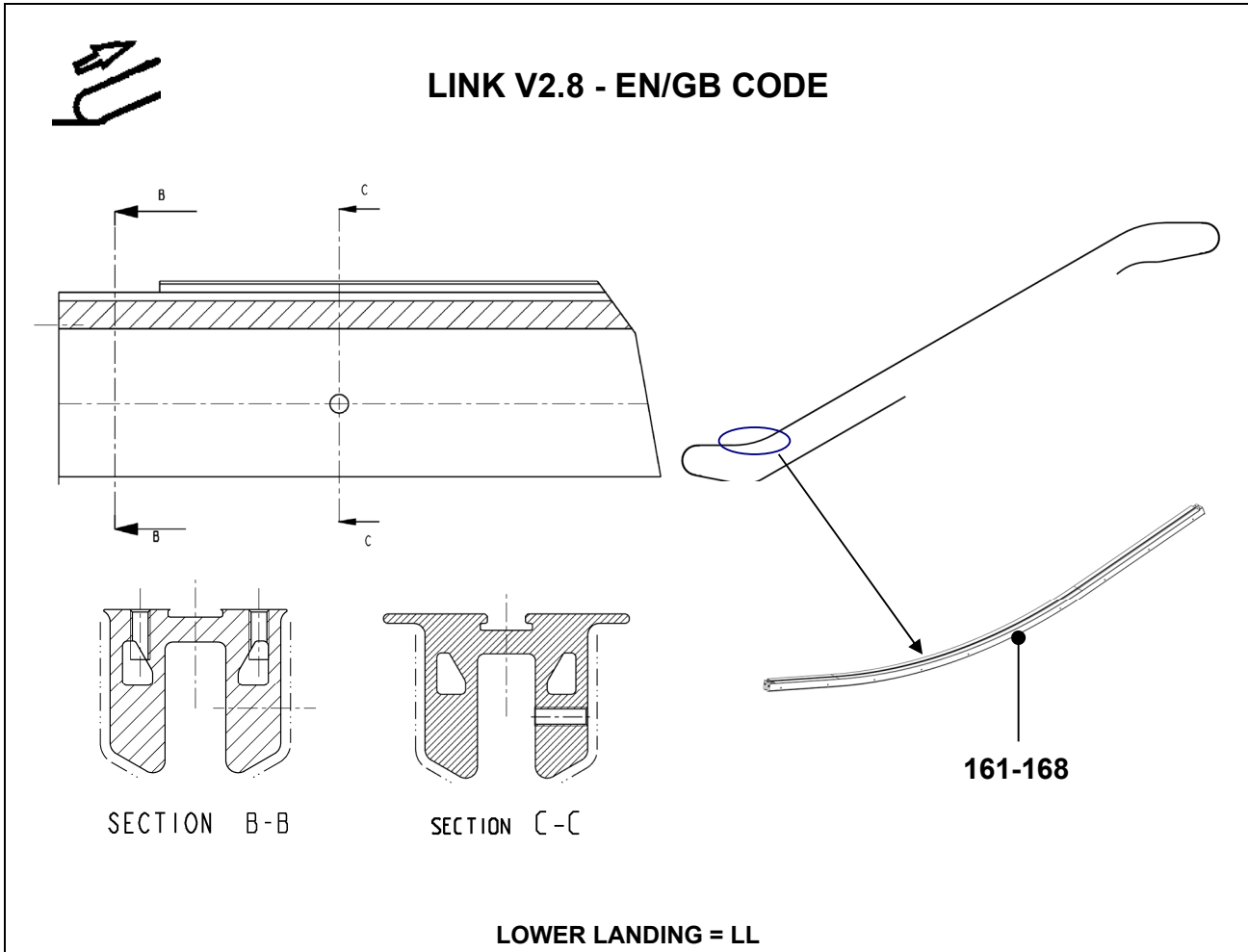
**Spare Parts Leaflet  
57-DBA26228BJ**



<b>DBA26228BJ</b>			
<b>REF. No.</b>	<b>PART No.</b>	<b>DESCRIPTION</b>	
149	DAA402ZN53	Handrail guide, passenger side, left side, LL	Bal. 930, 2 flat step, 35°
150	DAA402ZN54	Handrail guide, passenger side, right side, LL	
151	DAA402ZN55	Handrail guide, passenger side, left side, LL	Bal. 930, 3 flat step, 35°
152	DAA402ZN56	Handrail guide, passenger side, right side, LL	
153	DAA402ZN57	Handrail guide, passenger side, left side, LL	Bal. 930, 4 flat step, 35°
154	DAA402ZN58	Handrail guide, passenger side, right side, LL	
155	DAA402ZN59	Handrail guide, passenger side, left side, LL	Bal. 1000, 2 flat step, 35°
156	DAA402ZN60	Handrail guide, passenger side, right side, LL	
157	DAA402ZN61	Handrail guide, passenger side, left side, LL	Bal. 1000, 3 flat step, 35°
158	DAA402ZN62	Handrail guide, passenger side, right side, LL	
159	DAA402ZN63	Handrail guide, passenger side, left side, LL	Bal. 1000, 4 flat step, 35°
160	DAA402ZN64	Handrail guide, passenger side, right side, LL	

**508NCE/512NCE/515NPE-S/  
515NPE-L/LINK V2.8 ESCALATOR  
Handrail Guide w/ Illumination**

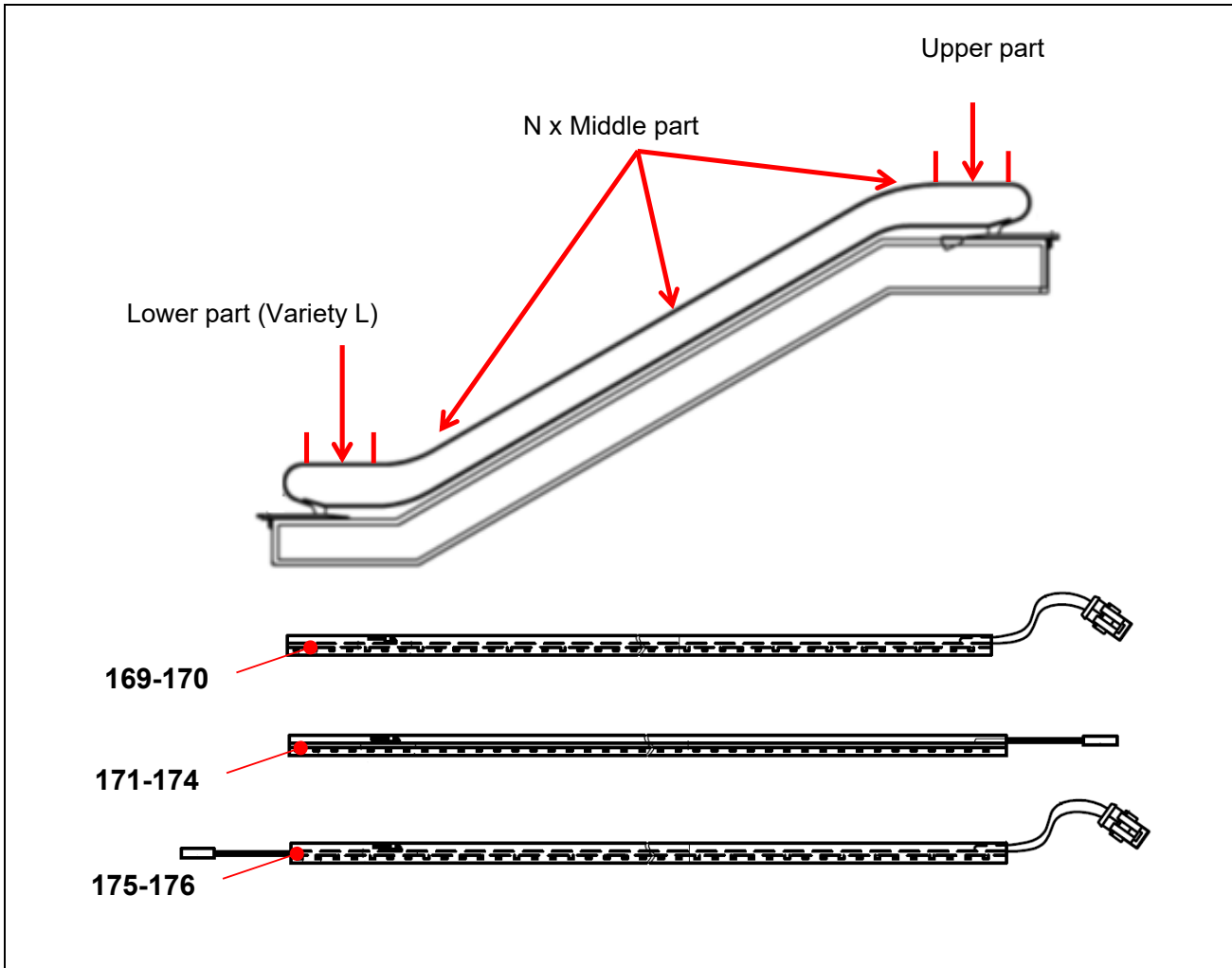
**Spare Parts Leaflet  
57-DBA26228BJ**



<b>DBA26228BJ</b>			
<b>REF. No.</b>	<b>PART No.</b>	<b>DESCRIPTION</b>	
161	DAA402ZN81	Handrail guide, passenger side, left side, LL	Bal. 930, 2 flat step, 30°
162	DAA402ZN82	Handrail guide, passenger side, right side, LL	
163	DAA402ZN83	Handrail guide, passenger side, left side, LL	Bal. 930, 3 flat step, 30°
164	DAA402ZN84	Handrail guide, passenger side, right side, LL	
165	DAA402ZN85	Handrail guide, passenger side, left side, LL	Bal. 1000, 2 flat step, 30°
166	DAA402ZN86	Handrail guide, passenger side, right side, LL	
167	DAA402ZN87	Handrail guide, passenger side, left side, LL	Bal. 1000, 3 flat step, 30°
168	DAA402ZN88	Handrail guide, passenger side, right side, LL	

**508NCE/512NCE/515NPE-S/  
515NPE-L/LINK V2.8 ESCALATOR  
Handrail Guide w/ Illumination**

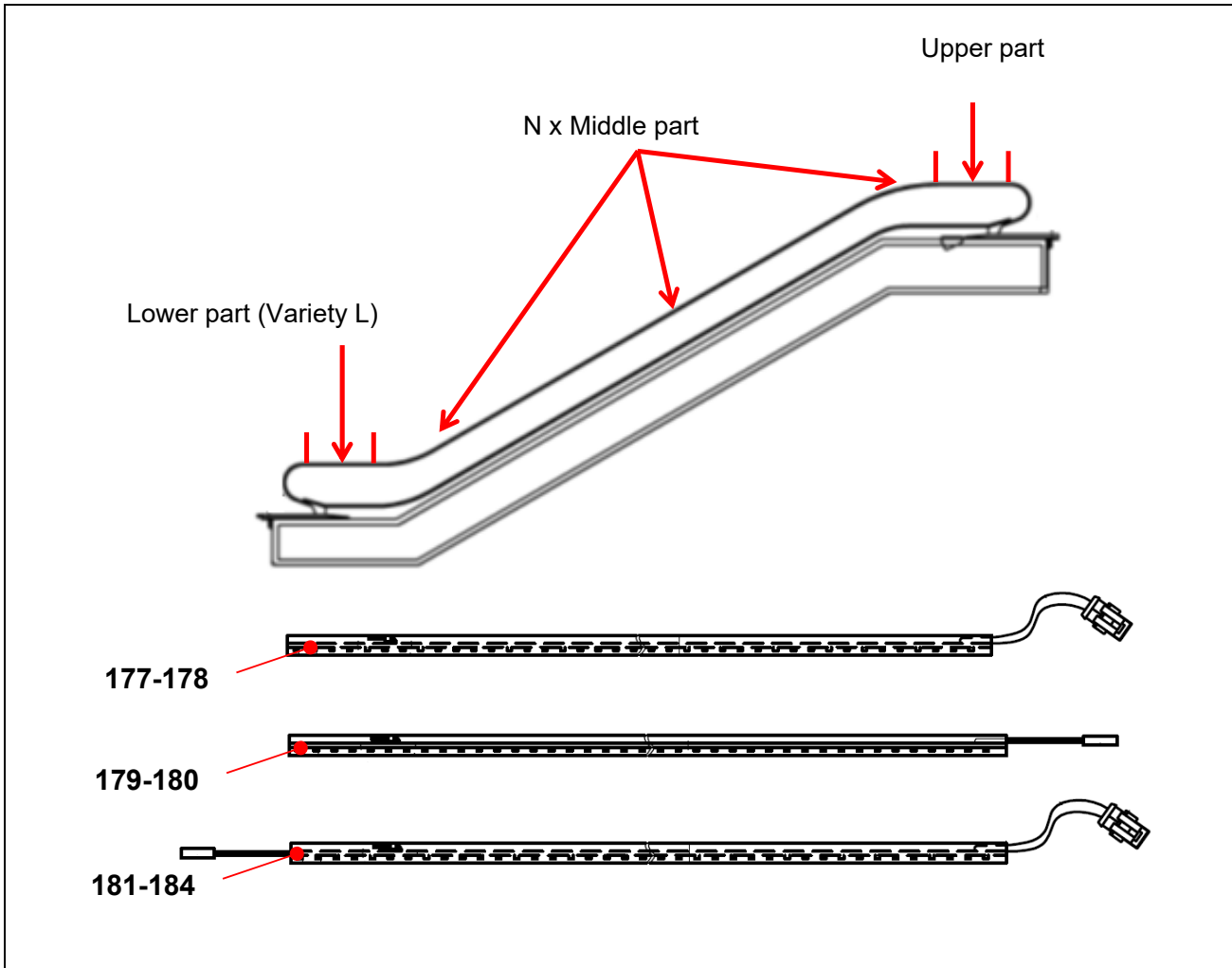
**Spare Parts Leaflet  
57-DBA26228BJ**



DBA26228BJ			
REF. No.	PART No.	DESCRIPTION	
169	DAA424AZ1	Bal. illumination upper part, warm white	w/ flexible flat cable
170	DAA424AZ2	Bal. illumination upper part, yellow	
171	DAA424AZ3	Bal. illumination middle part, warm white	
172	DAA424AZ4	Bal. illumination middle part, yellow	
173	DAA424AZ999	Bal. illumination lower part, warm white, for total length ≤ 30m	
174	DAA424AZ998	Bal. illumination lower part, yellow, for total length ≤ 30m	
175	DAA424BA995	Bal. illumination lower part, warm white, for total length > 30m	w/ flexible flat cable
176	DAA424BA994	Bal. illumination lower part, yellow, for total length > 30m	

**508NCE/512NCE/515NPE-S/  
515NPE-L/LINK V2.8 ESCALATOR  
Handrail Guide w/ Illumination**

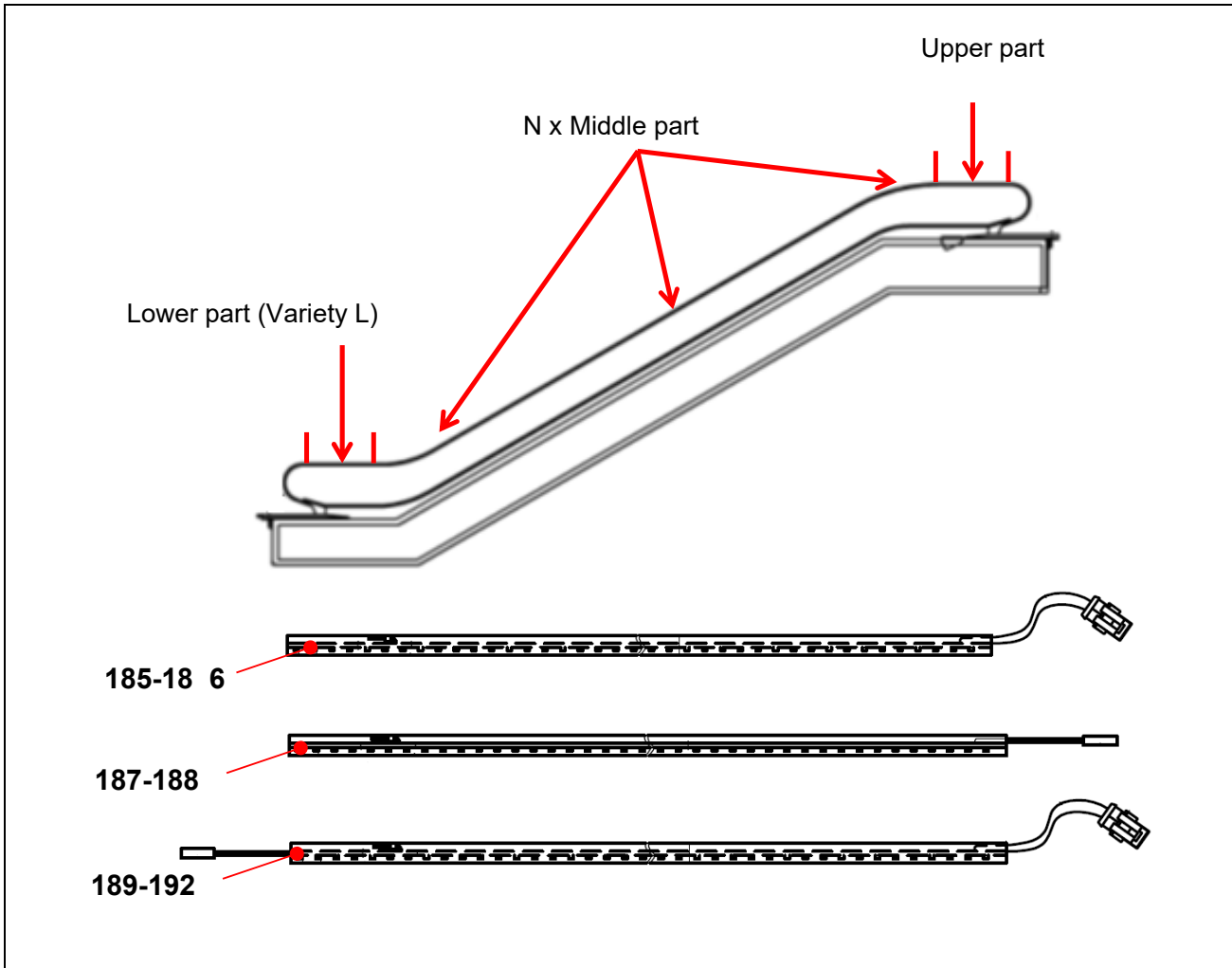
**Spare Parts Leaflet  
57-DBA26228BJ**



DBA26228BJ			
REF. No.	PART No.	DESCRIPTION	
177	XAA424AQ1	Bal. illumination upper part, blue	w/ flexible flat cable
178	XAA424AQ2	Bal. illumination upper part, green	
179	XAA424AQ5	Bal. illumination middle part, blue	
180	XAA424AQ6	Bal. illumination middle part, green	
181	XAA424AQ999	Bal. illumination lower part, blue, for total length ≤ 30m	
182	XAA424AQ998	Bal. illumination lower part, green, for total length ≤ 30m	
183	DAA424BA999	Bal. illumination lower part, blue, for total length > 30m	w/ flexible flat cable
184	DAA424BA998	Bal. illumination lower part, green, for total length > 30m	

**508NCE/512NCE/515NPE-S/  
515NPE-L/LINK V2.8 ESCALATOR  
Handrail Guide w/ Illumination**

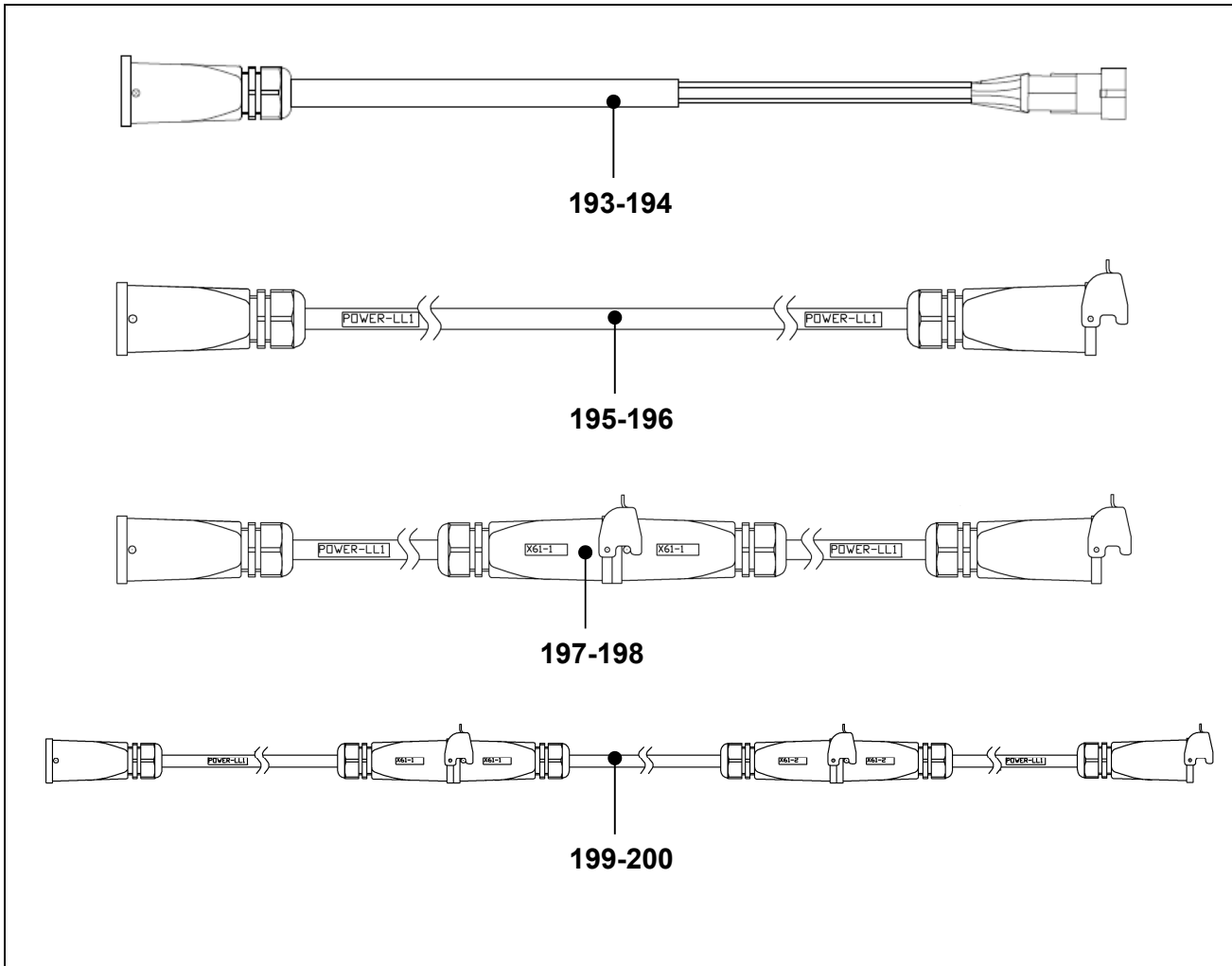
**Spare Parts Leaflet  
57-DBA26228BJ**



DBA26228BJ			
REF. No.	PART No.	DESCRIPTION	
185	XAA424AQ4	Bal. illumination upper part, red	w/ flexible flat cable
186	XAA424AQ3	Bal. illumination upper part, cold white	
187	XAA424AQ8	Bal. illumination middle part, red	
188	XAA424AQ7	Bal. illumination middle part, cold white	
189	XAA424AQ996	Bal. illumination lower part, red, for total length ≤ 30m	
190	XAA424AQ997	Bal. illumination lower part, cold white, for total length ≤ 30m	
191	DAA424BA996	Bal. illumination lower part, red, for total length > 30m	w/ flexible flat cable
192	DAA424BA997	Bal. illumination lower part, cold white, for total length > 30m	

**508NCE/512NCE/515NPE-S/  
515NPE-L/LINK V2.8 ESCALATOR  
Handrail Guide w/ Illumination**

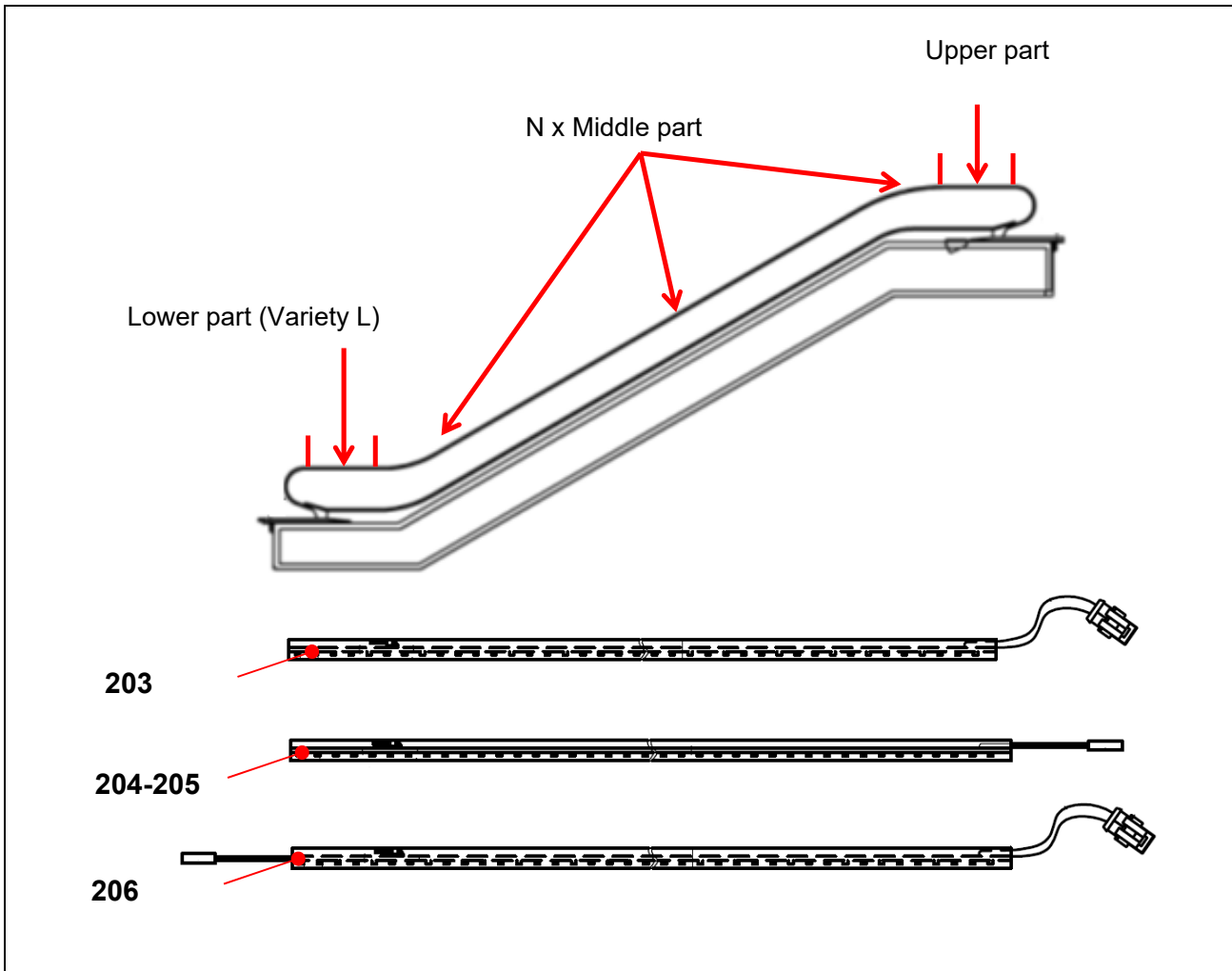
**Spare Parts Leaflet  
57-DBA26228BJ**



DBA26228BJ			
REF. No.	PART No.	DESCRIPTION	
193	DAA174CYW1	Cable	EN115/JIS
194	DAA174CYW2	Cable	ANSI
195	DAA174BJY1	Cable, for one piece unit	EN115/JIS
196	DAA174BJY2	Cable, for one piece unit	ANSI
197	DAA174BJY5	Cable, for two pieces unit	EN115/JIS
198	DAA174BJY6	Cable, for two pieces unit	ANSI
199	DAA174BJY9	Cable, for three or more pieces unit	EN115/JIS
200	DAA174BJY10	Cable, for three or more pieces unit	ANSI

**508NCE/512NCE/515NPE-S/  
515NPE-L/LINK V2.8 ESCALATOR  
Handrail Guide w/ Illumination**

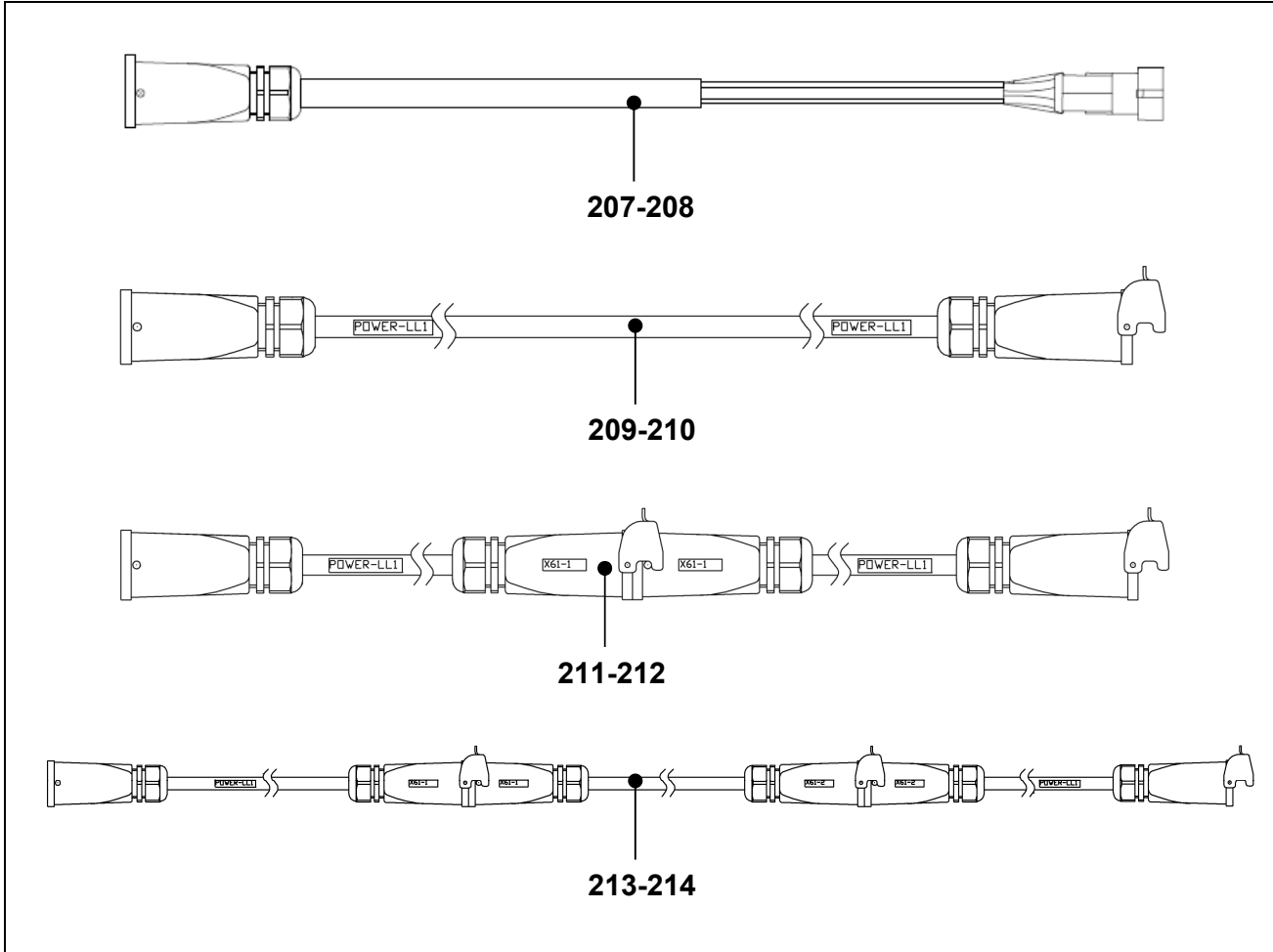
**Spare Parts Leaflet  
57-DBA26228BJ**



DBA26228BJ			
REF. No.	PART No.	DESCRIPTION	
203	DAA424BE1	Bal. illumination upper part, RGB	w/ flexible flat cable
204	DAA424BE2	Bal. illumination middle part, RGB	
205	DAA424BE999	Bal. illumination lower part, RGB, for total length ≤ 25m	
206	DAA424BE998	Bal. illumination lower part, RGB, for total length >25m	w/ flexible flat cable

**508NCE/512NCE/515NPE-S/  
515NPE-L/LINK V2.8 ESCALATOR  
Handrail Guide w/ Illumination**

**Spare Parts Leaflet  
57-DBA26228BJ**

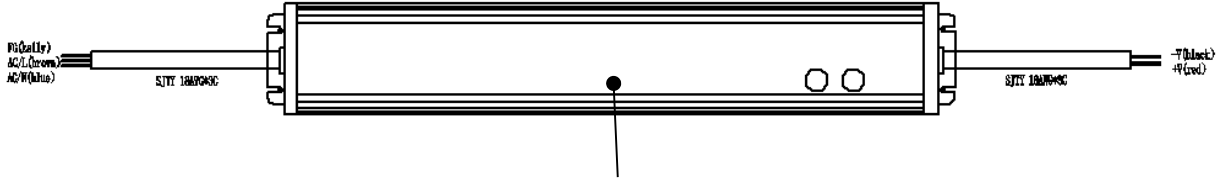


DBA26228BJ			
REF. No.	PART No.	DESCRIPTION	
207	DAA174DBX1	Cable	EN115/JIS
208	DAA174DBX2	Cable	ANSI
209	DAA174BJY1	Cable, for one piece unit	EN115/JIS
210	DAA174BJY2	Cable, for one piece unit	ANSI
211	DAA174BJY5	Cable, for two pieces unit	EN115/JIS
212	DAA174BJY6	Cable, for two pieces unit	ANSI
213	DAA174BJY9	Cable, for three or more pieces unit	EN115/JIS
214	DAA174BJY10	Cable, for three or more pieces unit	ANSI

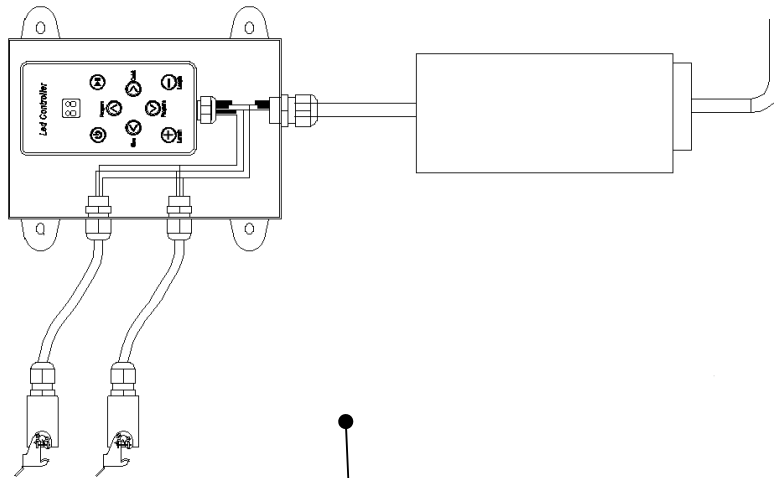


**508NCE/512NCE/515NPE-S/  
515NPE-L/LINK V2.8 ESCALATOR  
Handrail Guide w/ Illumination**

**Spare Parts Leaflet  
57-DBA26228BJ**



215-217

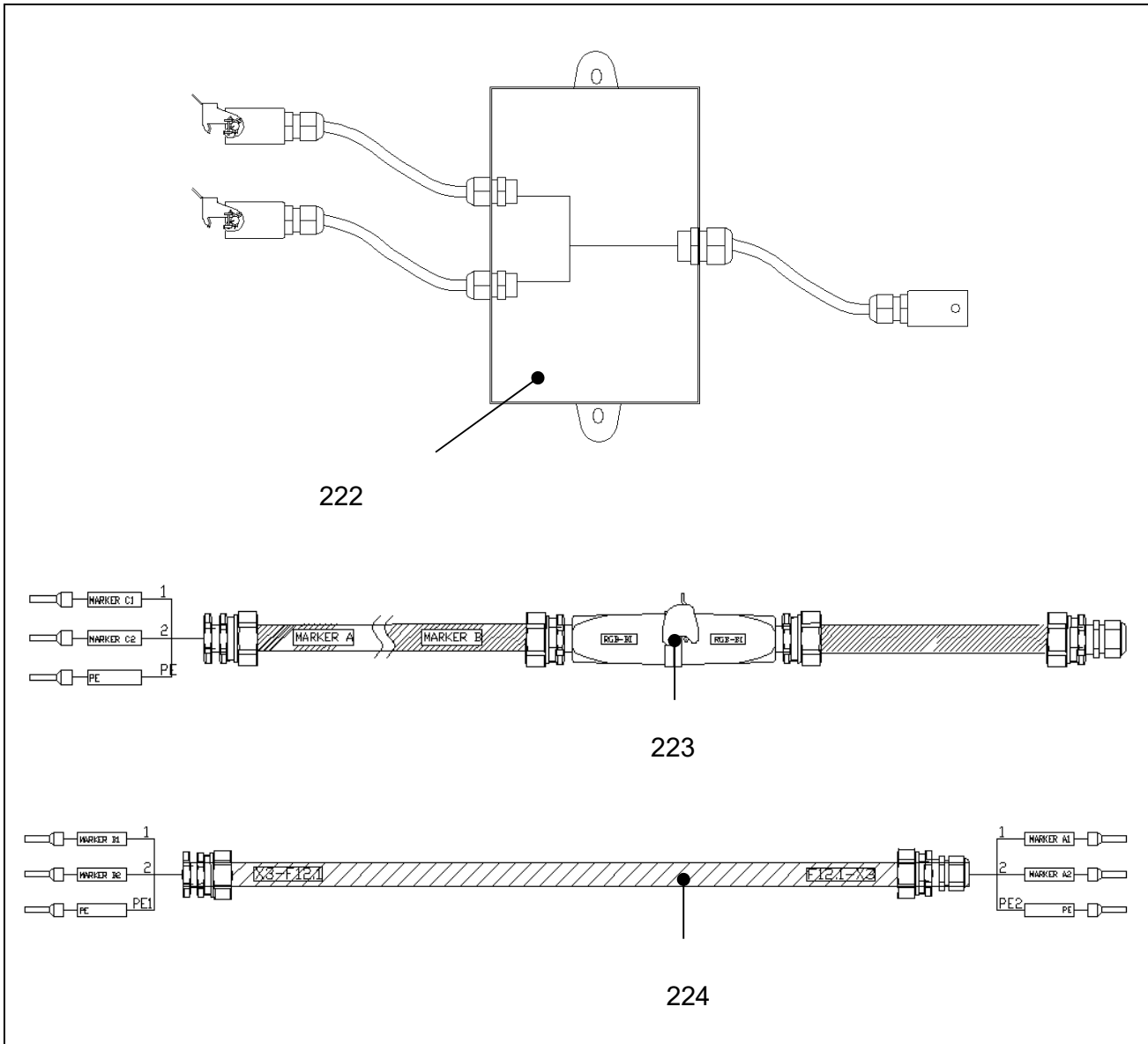


218-221

DBA26228BJ			
REF. No.	PART No.	DESCRIPTION	
215	DAA621AK1	POWER BOX FOR ONE COLOR	L1 <= 30m
216	DAA621AK2	POWER BOX FOR ONE COLOR	30m <L1<=40m
217	DAA621AK3	POWER BOX FOR ONE COLOR	30m <L1<=40m
218	DAA26220FB1	POWER BOX FOR RGB COLOR	L1 <= 20m
219	DAA26220FB2	POWER BOX FOR RGB COLOR	20m <L1<= 26m
220	DAA26220FB3	POWER BOX FOR RGB COLOR	26m <L1<= 40m
221	DAA26220FB4	POWER BOX FOR RGB COLOR	40m <L1<= 50m

**508NCE/512NCE/515NPE-S/  
515NPE-L/LINK V2.8 ESCALATOR  
Handrail Guide w/ Illumination**

**Spare Parts Leaflet  
57-DBA26228BJ**



DBA26228BJ		
REF. No.	PART No.	DESCRIPTION
222	DAA26220FB5	JUNCTION BOX
223	DAA174DBX3	CABLE
224	DAA174DBX5	CABLE