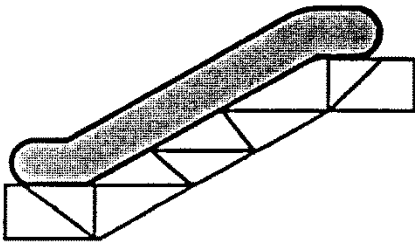
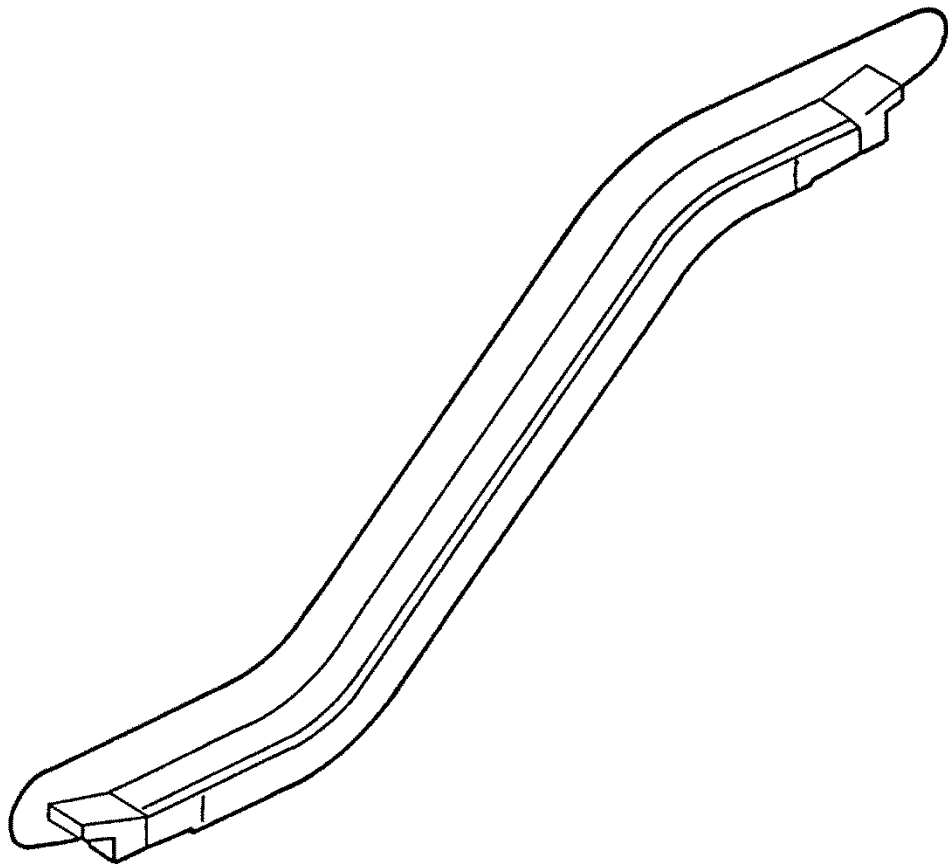


506 Slimline – NAO Balustrade

Spare Parts Leaflet
57-AAA26189A
August 28, 2013 / Page 1 of 4



CONTRACT NO. []		TYP []	YEAR []	UNITED TECHNOLOGIES OTIS ELEVATOR	
<small>ASSIGNED TO:</small>		<small>ASSIGNED TO:</small>			
CONTROLLER	101	<input type="checkbox"/>	TENSION COUPLER	82	<input type="checkbox"/>
QUICK CHECK	102	<input type="checkbox"/>	STEP	83	<input type="checkbox"/>
INSPECTION DEVICE	103	<input type="checkbox"/>	STEP CHAIN	84	<input type="checkbox"/>
STOP BUTTON	301	<input type="checkbox"/>	HANDRAIL DRIVE	85	<input type="checkbox"/>
LUBRICATION SYSTEM	801	<input type="checkbox"/>	HANDRAIL ENTRY DEVICE	86	<input type="checkbox"/>
DRIVE CHAINS	811	<input type="checkbox"/>	FLOORPLATE LWP LDO	87	<input type="checkbox"/>
MAIN DRIVE	812	<input type="checkbox"/>	FLOORPLATE LOW LDO	88	<input type="checkbox"/>
MAIN DR. SHAFT BRAKE	813	<input type="checkbox"/>	BALLUSTRADE	89	<input type="checkbox"/>
DEMARICATION LIGHTS	891	<input type="checkbox"/>	SHIRT PANEL	871	<input type="checkbox"/>
		<input type="checkbox"/>	FLUORESCENT LAMPS	872	<input type="checkbox"/>
HANDRAIL TYPE []		LENGTH []	MM COLOR []		
BALLUSTRADE FINISH []					



Leaflet Description

The final 26 units of the 506SL produced in Bloomington were made with a handrail guide system that consisted of a UHMW plastic guide that snaps onto an extruded aluminum supporting profile. The plastic guide must be replaced as a continuous loop.

This system was designed to work with several different balustrade configurations; standard, 'newels in line' and 'newels and combs in line'. These 'in line' options were only relevant for stacked units installed in a crisscrossed arrangement where the lower landing of one unit was installed adjacent to the upper landing of the next. For these units with the newels and combs in line option, the lengths of the truss and balustrade at the lower landing would have been adjusted to align the combs and newels with those of the adjacent upper landing, however, no units were produced in anything but the standard configuration. The same is true for the 'flat steps' option (the number of steps level with each other as they enter the combs). Although 3-flat steps configuration was offered, only the standard 2-flat steps configuration was ever produced on this model.

Leaflet Revisions

Date Revised	Subject Matter Expert	Reason for Revision
August 28, 2013	Tom Charney	New SPL

Related Drawings

Drawing No.	Title	Drawing No.	Title
AAA26189A	Handrail Guide Assembly	- - -	- - -

Related Documents

Document ID	Title
- - -	- - -

Subject Matter Expert

Name	Department
Tom Charney	OSC Service Engineering

About Spare Parts Leaflets...

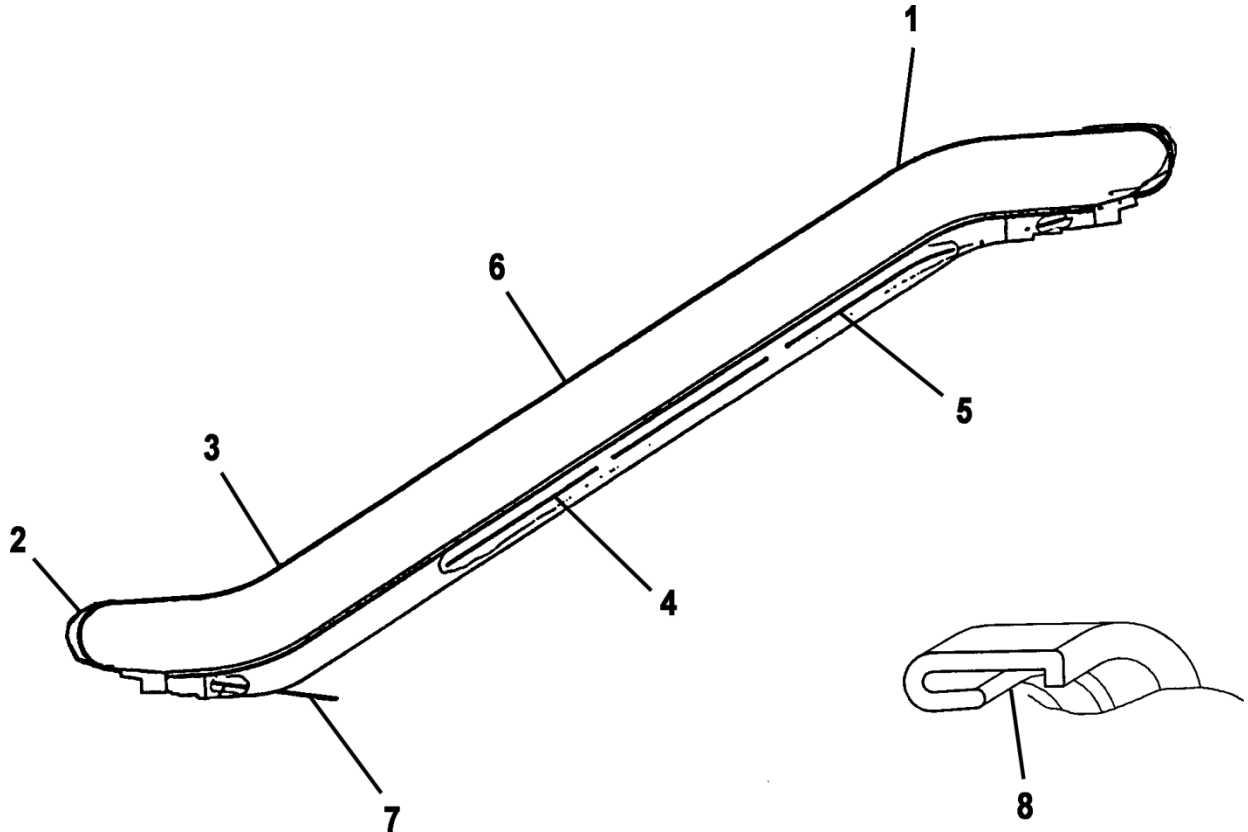
This document lists the lowest replaceable units (LRUs) for the standard version of the product. The LRUs are chosen by a team of Otis associates representing engineering and manufacturing.

While goal of this document is to make parts identification as easy as possible, the document cannot be all-inclusive. Elevator and escalator contracts classified as "special" or "custom" are not addressed here. For such contracts, please refer to specified information, the contract folder, TIPs, Field Education Articles, Construction Letters, etc. for further information.

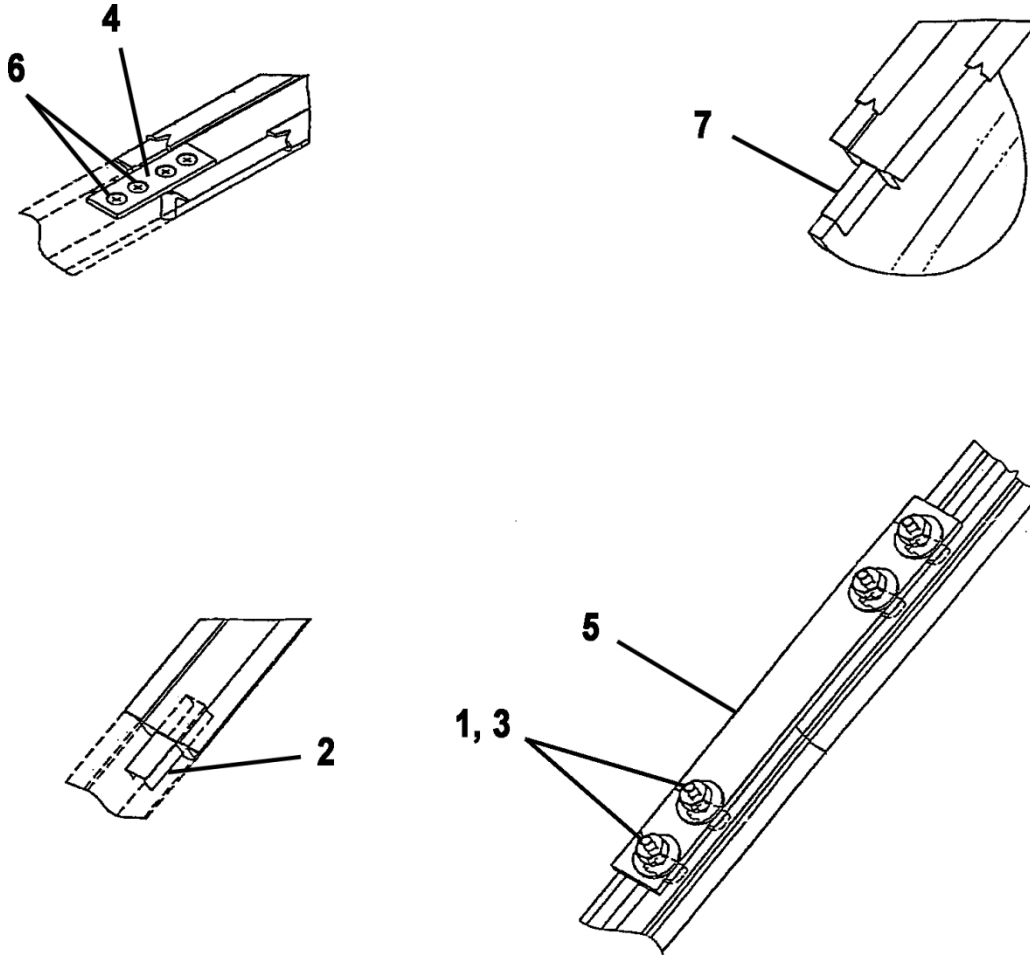
If you have any suggestions about this document, please contact the subject matter expert listed on this page.

Closed Loop Handrail Guide

57-AAA26189A



W/O VINTAGE			
REF. No.	PART No.	DESCRIPTION	LENGTH (mm)
1	AAA139AN1	Handrail Guide, Supporting Profile, Upper Curve	3207
2	AAA139AR1	Handrail Guide, Supporting Profile, Newel (Upper or Lower)	1602
3	AAA139AL1	Handrail Guide, Supporting Profile, Lower Curve	2062
4	AAA139AP1	Handrail Guide, Supporting Profile, Return	6100
5	AAA139AS1	Handrail Guide, Supporting Profile, Return, Upper Curve	3951
6	AAA139AM1	Handrail Guide, Supporting Profile, Incline	6100
7	AAA139AY1	Handrail Guide, Supporting Profile, Return	1483
8	AAA139AX1	Handrail Guide, 120-foot Roll	36,576



W/O VINTAGE		
REF. No.	PART No.	DESCRIPTION
1	YYGO65CK5 GAA65DP1	Bolt, T-Head
2	AAA94AP4 GAA94AV1	Clip, Spring
3	52126	Nut
4	AAA386KMH1	Plate, Splice, Newel
5	YYGO298WT3	Plate, Splice, Return
6	DIN963 M5X6	Screw, M5 Flat Head
7	AAA297AK-999	Tape, Isolation