

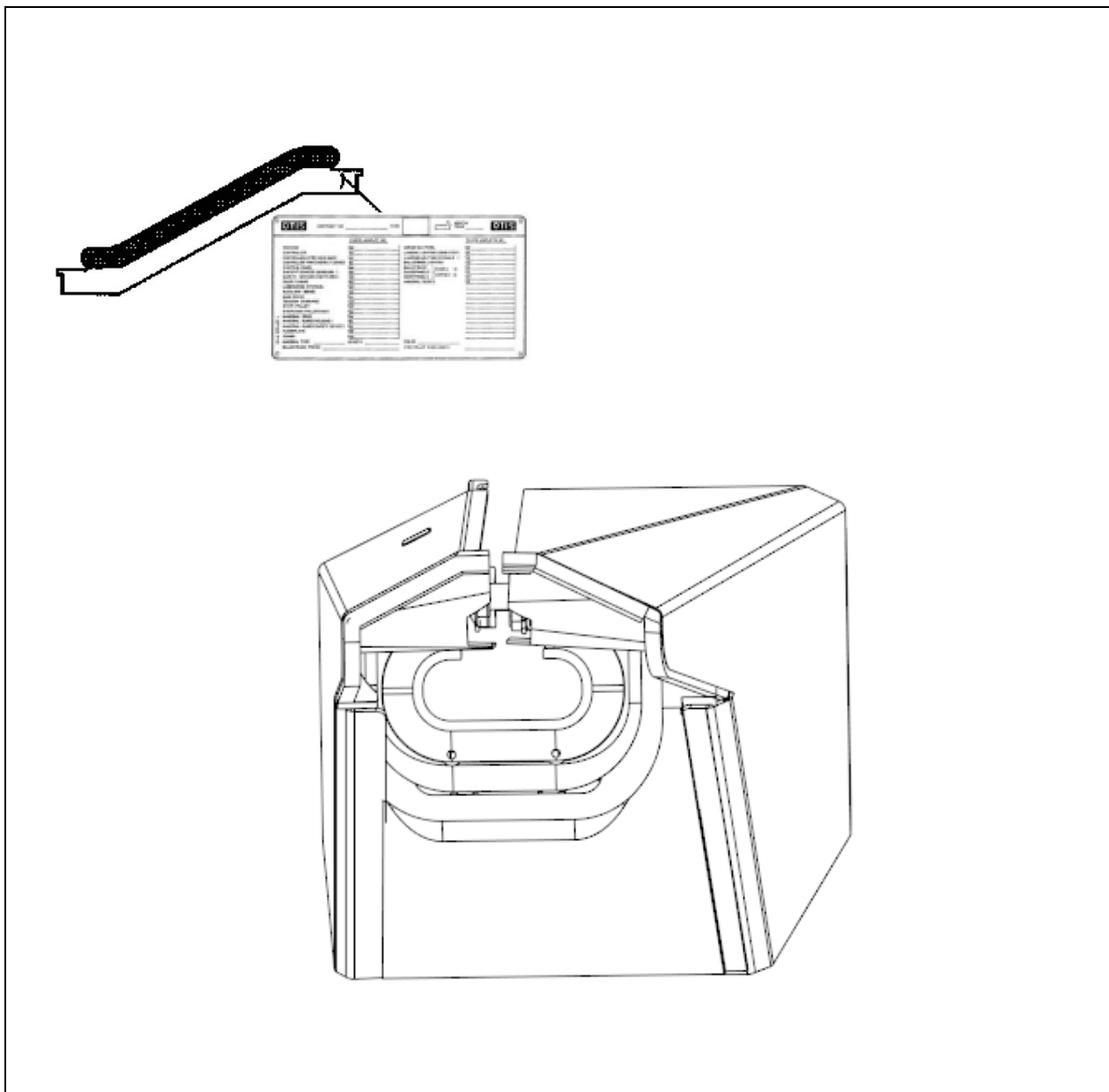
**508NCE-ANSI/512NCE-ANSI/508NCE
/515NPE-S/515NPE-L/ LINK V2.8
ESCALATOR
HANDRAIL ENTRY GUARD**

Spare Parts Leaflet

55-DAA330V

May 7, 2018

Page 1 of 10



OTIS

SERVICE ENGINEERING
Otis Elevator Company
SIT-Guangzhou

Unpublished Work—© Otis Elevator Co.; 2018

Leaflet Description

Escalator HANDRAIL ENTRY GUARD – 508NCE/515NPE-S/515NPE-L/
508NCE-ANSI/512NCE-ANSI

Leaflet Revisions

Date Revised	Subject Matter Expert	Reason for Revision
May. 07, 2018	Li Sien	Original document

Related Drawings

Drawing No.	Title	Drawing No.	Title
DAA330V	HANDRAIL ENTRY GUARD		

Related Documents

Document ID	Title
BOM DAA330V	HANDRAIL ENTRY GUARD

Subject Matter Expert

Name	Department
Tian Ruoming	SIT-GUANGZHOU

About Spare Parts Leaflets

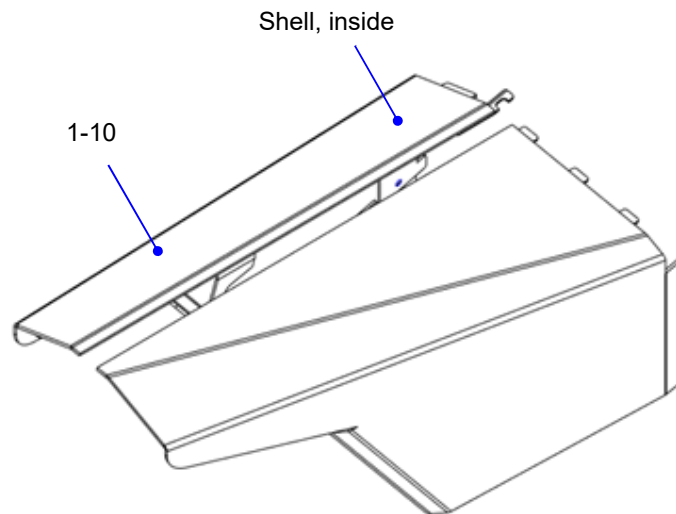
This document lists the lowest replaceable units (LRUs) for the standard version of the product. The LRUs are chosen by a team of Otis associates representing engineering and manufacturing.

While goal of this document is to make parts identification as easy as possible, the document cannot be all-inclusive. Elevator and escalator contracts classified as “special” or “custom” are not addressed here. For such contracts, please refer to specified information, the contract folder, TIPS, Field Education Articles, Construction Letters, etc. for further information.

If you have any suggestions about this document, please contact the subject matter expert listed on this page.

**508NCE-ANSI/512NCE-ANSI/508NCE
/515NPE-S/515NPE-L/ LINK V2.8
ESCALATOR
HANDRAIL ENTRY GUARD**

**Spare Parts Leaflet
55-DAA330V**

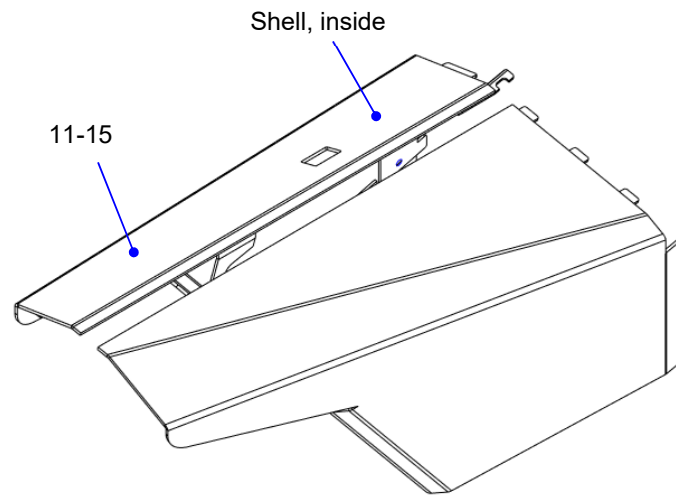


**ONLY FOR 508NCE-ANSI/512NCE-ANSI
LL = LOWER LANDING
UL = UPPER LANDING**

DAA330V			
REF. No	PART No.	DESCRIPTION	LOCATION
1	GAA402CAB1	SHELL, ALU, ANODIZED FO10	LL, Right side
2	GAA402CAB2	SHELL, ALU, ANODIZED FO10	LL Left side; UL Right side
3	GAA402CAB7	SHELL, ST.ST G2	LL, Right side
4	GAA402CAB8	SHELL, ST.ST G2	LL Left side; UL Right side
5	GAA402CAA1	SHELL, STEEL, POWDER COATED, BLACK	LL, Right side
6	GAA402CAA2	SHELL, STEEL, POWDER COATED, BLACK	LL Left side; UL Right side
7	GAA402CAA3	SHELL, STEEL, POWDER COATED, GREY	LL, Right side
8	GAA402CAA4	SHELL, STEEL, POWDER COATED, GREY	LL Left side; UL Right side
9	DAA402XQ1	ST.ST G2 HAIRLINE TIN-BRASS	LL, Right side
10	DAA402XQ2	ST.ST G2 HAIRLINE TIN-BRASS	LL Left side; UL Right side

**508NCE-ANSI/512NCE-ANSI/508NCE
/515NPE-S/515NPE-L/ LINK V2.8
ESCALATOR
HANDRAIL ENTRY GUARD**

**Spare Parts Leaflet
55-DAA330V**



ONLY FOR 508NCE-ANSI/512NCE-ANSI

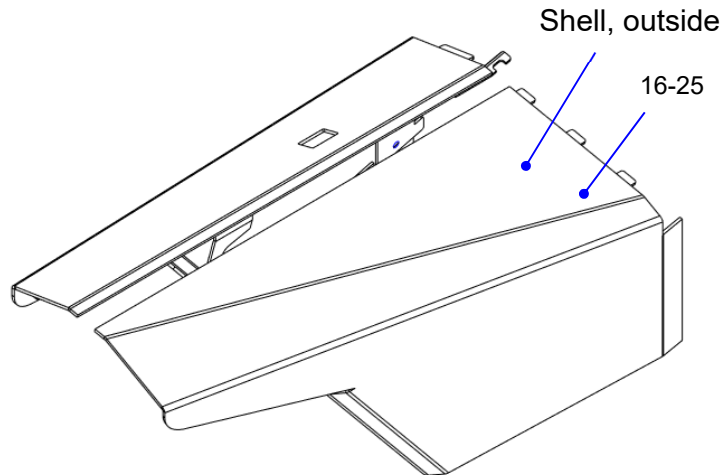
LL = LOWER LANDING

UL = UPPER LANDING

DAA330V			
REF. No	PART No.	DESCRIPTION	LOCATION
11	DAA402ABR1	SHELL, ALU, ANODIZED FO10, FOR ANSI	UL, Left side
12	DAA402ABR7	SHELL, ST.ST G2, FOR ANSI	UL, Left side
13	DAA402ABQ1	SHELL, STEEL, POWDER COATED, BLACK, FOR ANSI	UL, Left side
14	DAA402ABQ3	SHELL, STEEL, POWDER COATED, GREY, FOR ANSI	UL, Left side
15	DAA402ABR31	ST.ST G2 HAIRLINE TIN-BRASS, FOR ANSI	UL, Left side

**508NCE-ANSI/512NCE-ANSI/508NCE
/515NPE-S/515NPE-L/ LINK V2.8
ESCALATOR
HANDRAIL ENTRY GUARD**

**Spare Parts Leaflet
55-DAA330V**



**ONLY FOR 508NCE-ANSI/512NCE-ANSI
WITHOUT OUTER DECKING EXTENSION**

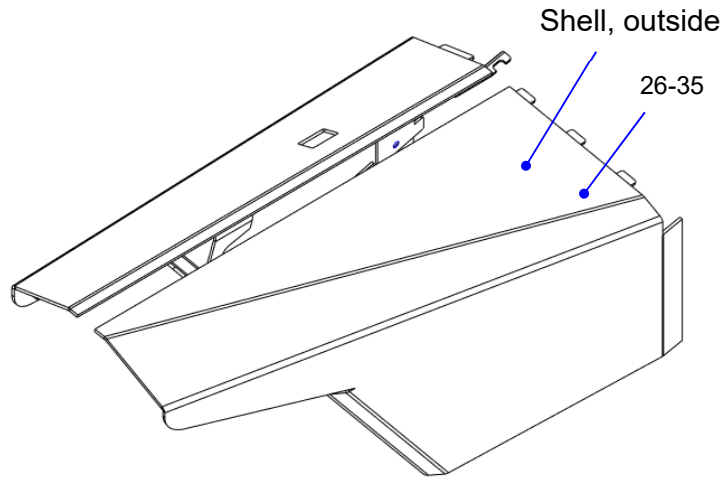
LL = LOWER LANDING

UL = UPPER LANDING

DAA330V			
REF. No	PART No.	DESCRIPTION	LOCATION
16	GAA402CAB11	SHELL, ALU, ANODIZED FO10	LL Right side; UL Left side
17	GAA402CAB12	SHELL, ALU, ANODIZED FO10	LL Left side; UL Right side
18	GAA402CAB17	SHELL, ST.ST G2	LL Right side; UL Left side
19	GAA402CAB18	SHELL, ST.ST G2	LL Left side; UL Right side
20	GAA402CAA11	SHELL, STEEL, POWDER COATED, BLACK	LL Right side; UL Left side
21	GAA402CAA12	SHELL, STEEL, POWDER COATED, BLACK	LL Left side; UL Right side
22	GAA402CAA15	SHELL, STEEL, POWDER COATED, GREY	LL Right side; UL Left side
23	GAA402CAA16	SHELL, STEEL, POWDER COATED, GREY	LL Left side; UL Right side
24	DAA402XQ11	ST.ST G2 HAIRLINE TIN-BRASS	LL Right side; UL Left side
25	DAA402XQ12	ST.ST G2 HAIRLINE TIN-BRASS	LL Left side; UL Right side

**508NCE-ANSI/512NCE-ANSI/508NCE
/515NPE-S/515NPE-L/ LINK V2.8
ESCALATOR
HANDRAIL ENTRY GUARD**

**Spare Parts Leaflet
55-DAA330V**

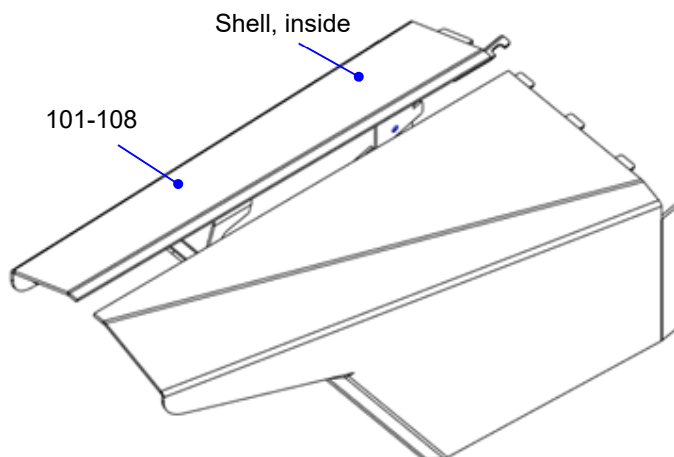


**ONLY FOR 508NCE-ANSI/512NCE-ANSI
WITH OUTER DECKING EXTENSION 25mm
LL = LOWER LANDING
UL = UPPER LANDING**

DAA330V			
REF. No	PART No.	DESCRIPTION	LOCATION
26	GAA402CAB21	SHELL, ALU, ANODIZED FO10	LL Right side; UL Left side
27	GAA402CAB22	SHELL, ALU, ANODIZED FO10	LL Left side; UL Right side
28	GAA402CAB27	SHELL, ST.ST G2	LL Right side; UL Left side
29	GAA402CAB28	SHELL, ST.ST G2	LL Left side; UL Right side
30	GAA402CAA13	SHELL,STEEL,POWDER COATED, BLACK	LL Right side; UL Left side
31	GAA402CAA14	SHELL,STEEL,POWDER COATED, BLACK	LL Left side; UL Right side
32	GAA402CAA17	SHELL, STEEL, POWDER COATED, GREY	LL Right side; UL Left side
33	GAA402CAA18	SHELL, STEEL, POWDER COATED, GREY	LL Left side; UL Right side
34	DAA402XQ-V11/A25	ST.ST G2 HAIRLINE TIN-BRASS	LL Right side; UL Left side
35	DAA402XQ-V12/A25	ST.ST G2 HAIRLINE TIN-BRASS	LL Left side; UL Right side

**508NCE-ANSI/512NCE-ANSI/508NCE
/515NPE-S/515NPE-L/ LINK V2.8
ESCALATOR
HANDRAIL ENTRY GUARD**

**Spare Parts Leaflet
55-DAA330V**



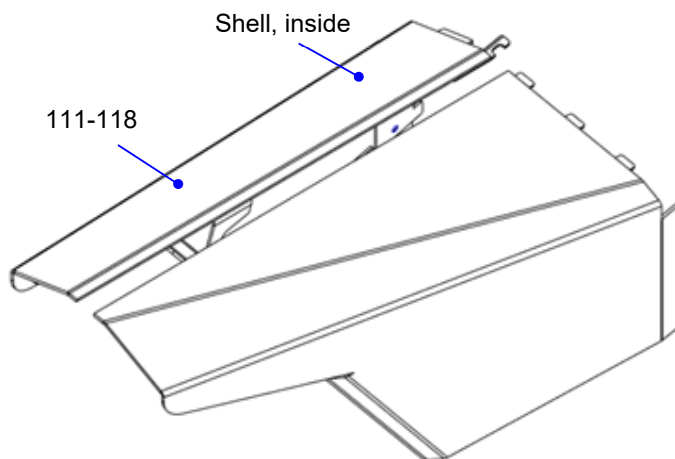
**ONLY FOR 508NCE/515NPE-S/515NPE-L/ LINK V2.8
ONLY FOR SHEET STEEL POWDER COAT DECKING
WITHOUT OUTER DECKING EXTENSION
WITHOUT (PF & RADAR & PD10) OR WITH RADAR**

**PD10: Passenge Detector 10(带反射板的红外传感器/Photosensor with baffle-board)
PF=Photosensor P+F 光电漫反射; RADAR: 入口雷达感应; ETA-PLUS:星/三角智能转换
LL = LOWER LANDING ; UL = UPPER LANDING**

DAA330V			
REF. No	PART No.	DESCRIPTION	LOCATION
101	DAA402PPS1	SHELL, STEEL, POWDER COATED, BLACK,	LL, Right side; UL Left side
102	DAA402PPS2	SHELL, STEEL, POWDER COATED, BLACK,	LL Left side; UL Right side
103	DAA402PPS3	SHELL, STEEL, POWDER COATED, GREY	LL, Right side; UL Left side
104	DAA402PPS4	SHELL, STEEL, POWDER COATED, GREY	LL Left side; UL Right side
105	DAA402PPT3	SHELL, ST.ST HAIRLINE G2	LL, Right side; UL Left side
106	DAA402PPT4	SHELL, ST.ST HAIRLINE G2	LL Left side; UL Right side
107	GAA402CAB1	SHELL, ALU, ANODIZED FO10	LL, Right side; UL Left side
108	GAA402CAB2	SHELL, ALU, ANODIZED FO10	LL Left side; UL Right side

**508NCE-ANSI/512NCE-ANSI/508NCE
/515NPE-S/515NPE-L/ LINK V2.8
ESCALATOR
HANDRAIL ENTRY GUARD**

**Spare Parts Leaflet
55-DAA330V**

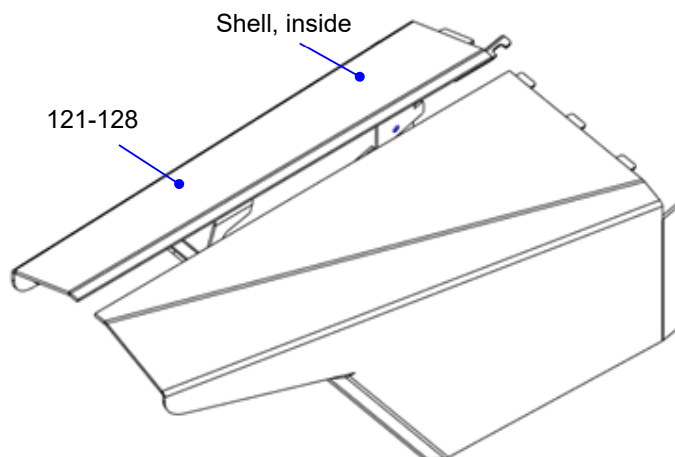


**ONLY FOR 508NCE/515NPE-S/515NPE-L/ LINK V2.8
ONLY FOR SHEET STEEL POWDER COAT DECKING
WITHOUT OUTER DECKING EXTENSION
WITH PF ; PF=Photosensor P+F 光电漫反射
LL = LOWER LANDING ; UL = UPPER LANDING**

DAA330V			
REF. No	PART No.	DESCRIPTION	LOCATION
111	DAA402VP5	SHELL, STEEL, POWDER COATED, BLACK,	LL, Right side; UL Left side
112	DAA402VP6	SHELL, STEEL, POWDER COATED, BLACK,	LL Left side; UL Right side
113	DAA402VP7	SHELL, STEEL, POWDER COATED, GREY	LL, Right side; UL Left side
114	DAA402VP8	SHELL, STEEL, POWDER COATED, GREY	LL Left side; UL Right side
115	DAA402VQ3	SHELL, ST.ST HAIRLINE G2	LL, Right side; UL Left side
116	DAA402VQ4	SHELL, ST.ST HAIRLINE G2	LL Left side; UL Right side
117	DAA402VQ1	SHELL, ALU, ANODIZED FO10	LL, Right side; UL Left side
118	DAA402VQ2	SHELL, ALU, ANODIZED FO10	LL Left side; UL Right side

**508NCE-ANSI/512NCE-ANSI/508NCE
/515NPE-S/515NPE-L/ LINK V2.8
ESCALATOR
HANDRAIL ENTRY GUARD**

**Spare Parts Leaflet
55-DAA330V**



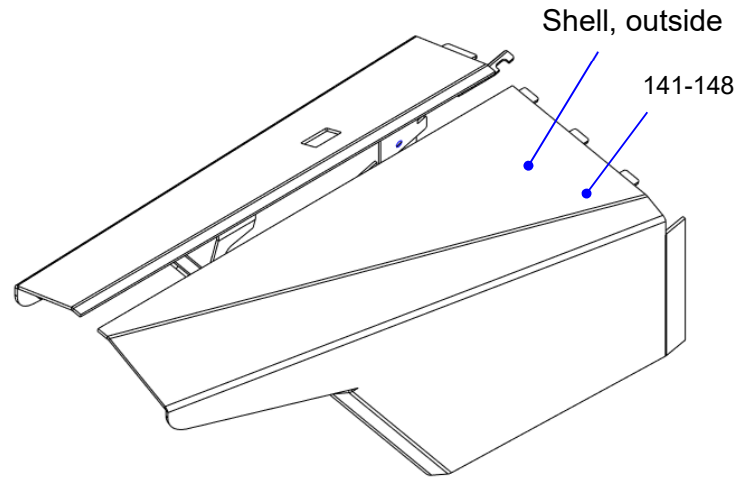
**ONLY FOR 508NCE/515NPE-S/515NPE-L/ LINK V2.8
ONLY FOR SHEET STEEL POWDER COAT DECKING
WITHOUT OUTER DECKING EXTENSION
WITH PD10 OR WITH ETA-PLUS**

**PD10: Passenge Detector 10(带反射板的红外传感器/Photosensor with baffle-board)
PF=Photosensor P+F 光电漫反射; RADAR: 入口雷达感应; ETA-PLUS:星/三角智能转换
LL = LOWER LANDING ; UL = UPPER LANDING**

DAA330V			
REF. No	PART No.	DESCRIPTION	LOCATION
121	DAA402YR5	SHELL, STEEL, POWDER COATED, BLACK,	LL, Right side; UL Left side
122	DAA402YR6	SHELL, STEEL, POWDER COATED, BLACK,	LL Left side; UL Right side
123	DAA402YR7	SHELL, STEEL, POWDER COATED, GREY	LL, Right side; UL Left side
124	DAA402YR8	SHELL, STEEL, POWDER COATED, GREY	LL Left side; UL Right side
125	DAA402YS3	SHELL, ST.ST HAIRLINE G2	LL, Right side; UL Left side
126	DAA402YS4	SHELL, ST.ST HAIRLINE G2	LL Left side; UL Right side
127	DAA402YS1	SHELL, ALU, ANODIZED FO10	LL, Right side; UL Left side
128	DAA402YS2	SHELL, ALU, ANODIZED FO10	LL Left side; UL Right side

**508NCE-ANSI/512NCE-ANSI/508NCE
/515NPE-S/515NPE-L/ LINK V2.8
ESCALATOR
HANDRAIL ENTRY GUARD**

**Spare Parts Leaflet
55-DAA330V**

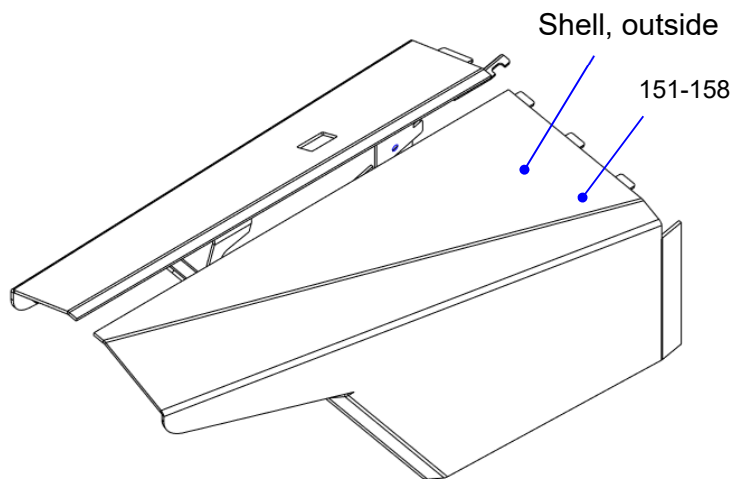


**ONLY FOR 508NCE/515NPE-S/515NPE-L/ LINK V2.8
ONLY FOR SHEET STEEL POWDER COAT DECKING
NOT FOR Breclav contract (不用于捷克合同)
WITHOUT OUTER DECKING EXTENSION
LL = LOWER LANDING ; UL = UPPER LANDING**

DAA330V			
REF. No	PART No.	DESCRIPTION	LOCATION
141	DAA402ZC1	SHELL, STEEL, POWDER COATED, BLACK,	LL, Right side; UL Left side
142	DAA402PPS12	SHELL, STEEL, POWDER COATED, BLACK,	LL Left side; UL Right side
143	DAA402ZC3	SHELL, STEEL, POWDER COATED, GREY	LL, Right side; UL Left side
144	DAA402PPS16	SHELL, STEEL, POWDER COATED, GREY	LL Left side; UL Right side
145	DAA402ZC33	SHELL, ST.ST HAIRLINE G2	LL, Right side; UL Left side
146	DAA402PPT14	SHELL, ST.ST HAIRLINE G2	LL Left side; UL Right side
147	DAA402ZC51	SHELL, ALU, ANODIZED FO10	LL, Right side; UL Left side
148	GAA402CAB12	SHELL, ALU, ANODIZED FO10	LL Left side; UL Right side

**508NCE-ANSI/512NCE-ANSI/508NCE
/515NPE-S/515NPE-L/ LINK V2.8
ESCALATOR
HANDRAIL ENTRY GUARD**

**Spare Parts Leaflet
55-DAA330V**

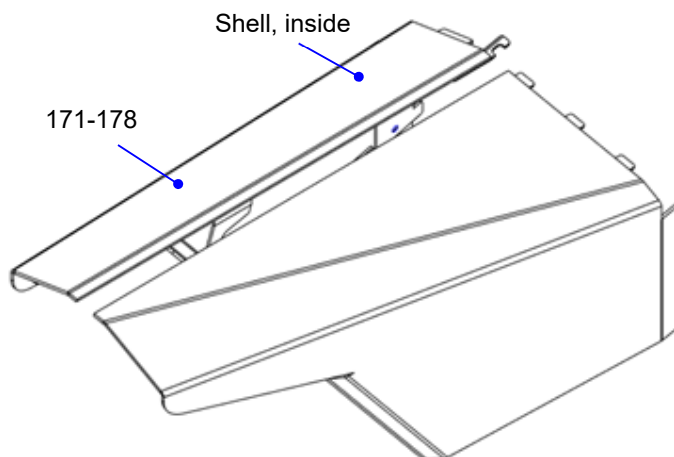


**ONLY FOR 508NCE/515NPE-S/515NPE-L/ LINK V2.8
ONLY FOR SHEET STEEL POWDER COAT DECKING
ONLY FOR Breclav contract (只用于捷克合同)
WITHOUT OUTER DECKING EXTENSION
LL = LOWER LANDING ; UL = UPPER LANDING**

DAA330V			
REF. No	PART No.	DESCRIPTION	LOCATION
151	DAA402PPS11	SHELL, STEEL, POWDER COATED, BLACK,	LL, Right side; UL Left side
152	DAA402PPS12	SHELL, STEEL, POWDER COATED, BLACK,	LL Left side; UL Right side
153	DAA402PPS15	SHELL, STEEL, POWDER COATED, GREY	LL, Right side; UL Left side
154	DAA402PPS16	SHELL, STEEL, POWDER COATED, GREY	LL Left side; UL Right side
155	DAA402PPT13	SHELL, ST.ST HAIRLINE G2	LL, Right side; UL Left side
156	DAA402PPT14	SHELL, ST.ST HAIRLINE G2	LL Left side; UL Right side
157	GAA402CAB11	SHELL, ALU, ANODIZED FO10	LL, Right side; UL Left side
158	GAA402CAB12	SHELL, ALU, ANODIZED FO10	LL Left side; UL Right side

**508NCE-ANSI/512NCE-ANSI/508NCE
/515NPE-S/515NPE-L/ LINK V2.8
ESCALATOR
HANDRAIL ENTRY GUARD**

**Spare Parts Leaflet
55-DAA330V**



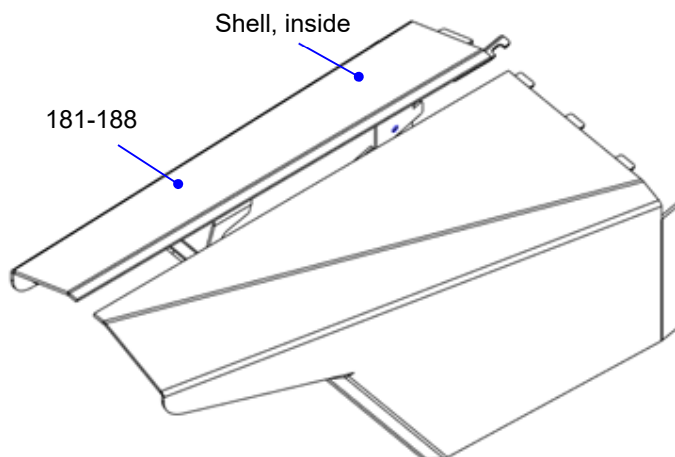
**ONLY FOR 508NCE/515NPE-S/515NPE-L/ LINK V2.8
ONLY FOR STAINLESS STEEL DECKING
WITHOUT OUTER DECKING EXTENSION
WITHOUT (PF & RADAR & PD10) OR WITH RADAR**

**PD10: Passenge Detector 10(带反射板的红外传感器/Photosensor with baffle-board)
PF=Photosensor P+F 光电漫反射; RADAR: 入口雷达感应; ETA-PLUS:星/三角智能转换
LL = LOWER LANDING ; UL = UPPER LANDING**

DAA330V			
REF. No	PART No.	DESCRIPTION	LOCATION
171	DAA402PPS501	SHELL, STEEL, POWDER COATED, BLACK,	LL, Right side; UL Left side
172	DAA402PPS502	SHELL, STEEL, POWDER COATED, BLACK,	LL Left side; UL Right side
173	DAA402PPS503	SHELL, STEEL, POWDER COATED, GREY	LL, Right side; UL Left side
174	DAA402PPS504	SHELL, STEEL, POWDER COATED, GREY	LL Left side; UL Right side
175	DAA402PPT503	SHELL, ST.ST HAIRLINE G2	LL, Right side; UL Left side
176	DAA402PPT504	SHELL, ST.ST HAIRLINE G2	LL Left side; UL Right side
177	GAA402CAB1	SHELL, ALU, ANODIZED FO10	LL, Right side; UL Left side
178	GAA402CAB2	SHELL, ALU, ANODIZED FO10	LL Left side; UL Right side

**508NCE-ANSI/512NCE-ANSI/508NCE
/515NPE-S/515NPE-L/ LINK V2.8
ESCALATOR
HANDRAIL ENTRY GUARD**

**Spare Parts Leaflet
55-DAA330V**

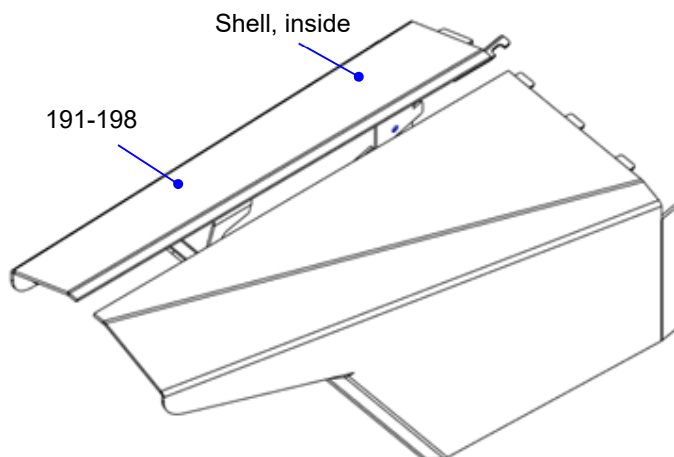


**ONLY FOR 508NCE/515NPE-S/515NPE-L/ LINK V2.8
ONLY FOR STAINLESS STEEL DECKING
WITHOUT OUTER DECKING EXTENSION
WITH PF ; PF=Photosensor P+F 光电漫反射;
LL = LOWER LANDING ; UL = UPPER LANDING**

DAA330V			
REF. No	PART No.	DESCRIPTION	LOCATION
181	DAA402VP9	SHELL, STEEL, POWDER COATED, BLACK,	LL, Right side; UL Left side
182	DAA402VP10	SHELL, STEEL, POWDER COATED, BLACK,	LL Left side; UL Right side
183	DAA402VP11	SHELL, STEEL, POWDER COATED, GREY	LL, Right side; UL Left side
184	DAA402VP12	SHELL, STEEL, POWDER COATED, GREY	LL Left side; UL Right side
185	DAA402VQ5	SHELL, ST.ST HAIRLINE G2	LL, Right side; UL Left side
186	DAA402VQ6	SHELL, ST.ST HAIRLINE G2	LL Left side; UL Right side
187	DAA402VQ1	SHELL, ALU, ANODIZED FO10	LL, Right side; UL Left side
188	DAA402VQ2	SHELL, ALU, ANODIZED FO10	LL Left side; UL Right side

**508NCE-ANSI/512NCE-ANSI/508NCE
/515NPE-S/515NPE-L/ LINK V2.8
ESCALATOR
HANDRAIL ENTRY GUARD**

**Spare Parts Leaflet
55-DAA330V**

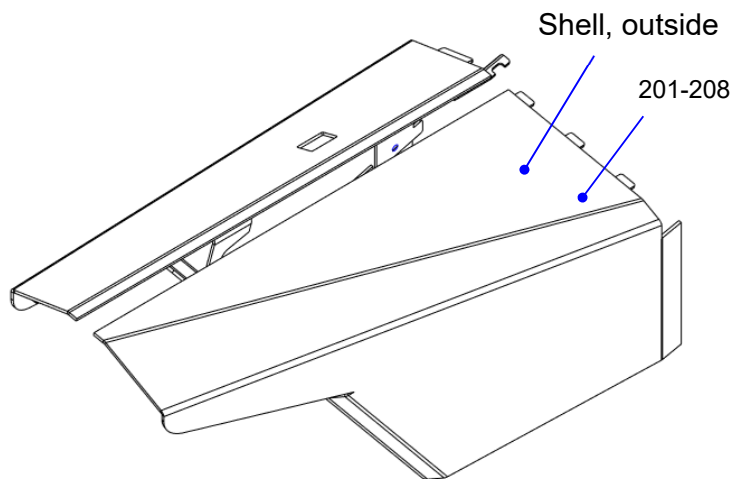


**ONLY FOR 508NCE/515NPE-S/515NPE-L/ LINK V2.8
ONLY FOR STAINLESS STEEL DECKING
WITHOUT OUTER DECKING EXTENSION ; WITH PD10 OR WITH ETA-PLUS
PD10: Passenge Detector 10(带反射板的红外传感器/Photosensor with baffle-board)
ETA-PLUS:星/三角智能转换 ; LL = LOWER LANDING ; UL = UPPER LANDING**

DAA330V			
REF. No	PART No.	DESCRIPTION	LOCATION
191	DAA402YR13	SHELL, STEEL, POWDER COATED, BLACK,	LL, Right side; UL Left side
192	DAA402YR14	SHELL, STEEL, POWDER COATED, BLACK,	LL Left side; UL Right side
193	DAA402YR15	SHELL, STEEL, POWDER COATED, GREY	LL, Right side; UL Left side
194	DAA402YR16	SHELL, STEEL, POWDER COATED, GREY	LL Left side; UL Right side
195	DAA402YS5	SHELL, ST.ST HAIRLINE G2	LL, Right side; UL Left side
196	DAA402YS6	SHELL, ST.ST HAIRLINE G2	LL Left side; UL Right side
197	DAA402YS1	SHELL, ALU, ANODIZED FO10	LL, Right side; UL Left side
198	DAA402YS2	SHELL, ALU, ANODIZED FO10	LL Left side; UL Right side

**508NCE-ANSI/512NCE-ANSI/508NCE
/515NPE-S/515NPE-L/ LINK V2.8
ESCALATOR
HANDRAIL ENTRY GUARD**

**Spare Parts Leaflet
55-DAA330V**

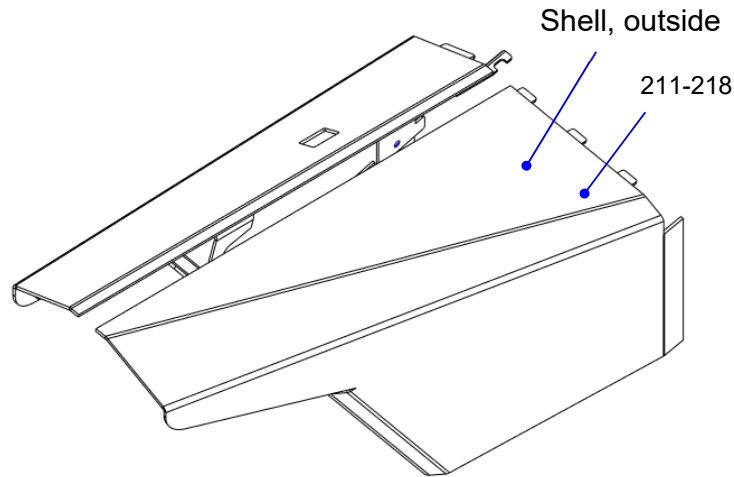


**ONLY FOR 508NCE/515NPE-S/515NPE-L/ LINK V2.8
ONLY FOR STAINLESS STEEL DECKING
NOT FOR Breclav contract (不用于捷克合同)
WITHOUT OUTER DECKING EXTENSION
LL = LOWER LANDING ; UL = UPPER LANDING**

DAA330V			
REF. No	PART No.	DESCRIPTION	LOCATION
201	DAA402ZC9	SHELL, STEEL, POWDER COATED, BLACK,	LL, Right side; UL Left side
202	DAA402PPS512	SHELL, STEEL, POWDER COATED, BLACK,	LL Left side; UL Right side
203	DAA402ZC11	SHELL, STEEL, POWDER COATED, GREY	LL, Right side; UL Left side
204	DAA402PPS516	SHELL, STEEL, POWDER COATED, GREY	LL Left side; UL Right side
205	DAA402ZC75	SHELL, ST.ST HAIRLINE G2	LL, Right side; UL Left side
206	DAA402PPT514	SHELL, ST.ST HAIRLINE G2	LL Left side; UL Right side
207	DAA402ZC51	SHELL, ALU, ANODIZED FO10	LL, Right side; UL Left side
208	GAA402CAB12	SHELL, ALU, ANODIZED FO10	LL Left side; UL Right side

**508NCE-ANSI/512NCE-ANSI/508NCE
/515NPE-S/515NPE-L/ LINK V2.8
ESCALATOR
HANDRAIL ENTRY GUARD**

**Spare Parts Leaflet
55-DAA330V**

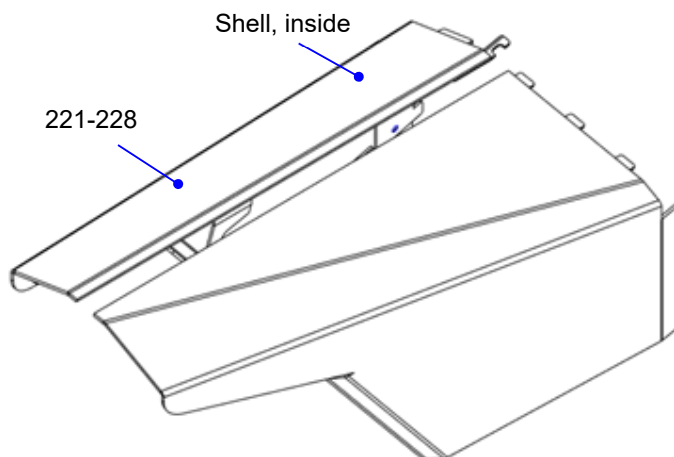


**ONLY FOR 508NCE/515NPE-S/515NPE-L/ LINK V2.8
ONLY FOR STAINLESS STEEL DECKING
ONLY FOR Breclav contract (只用于捷克合同)
WITHOUT OUTER DECKING EXTENSION
LL = LOWER LANDING ; UL = UPPER LANDING**

DAA330V			
REF. No	PART No.	DESCRIPTION	LOCATION
211	DAA402PPS511	SHELL, STEEL, POWDER COATED, BLACK,	LL, Right side; UL Left side
212	DAA402PPS512	SHELL, STEEL, POWDER COATED, BLACK,	LL Left side; UL Right side
213	DAA402PPS515	SHELL, STEEL, POWDER COATED, GREY	LL, Right side; UL Left side
214	DAA402PPS516	SHELL, STEEL, POWDER COATED, GREY	LL Left side; UL Right side
215	DAA402PPT513	SHELL, ST.ST HAIRLINE G2	LL, Right side; UL Left side
216	DAA402PPT514	SHELL, ST.ST HAIRLINE G2	LL Left side; UL Right side
217	GAA402CAB11	SHELL, ALU, ANODIZED FO10	LL, Right side; UL Left side
218	GAA402CAB12	SHELL, ALU, ANODIZED FO10	LL Left side; UL Right side

**508NCE-ANSI/512NCE-ANSI/508NCE
/515NPE-S/515NPE-L/ LINK V2.8
ESCALATOR
HANDRAIL ENTRY GUARD**

**Spare Parts Leaflet
55-DAA330V**

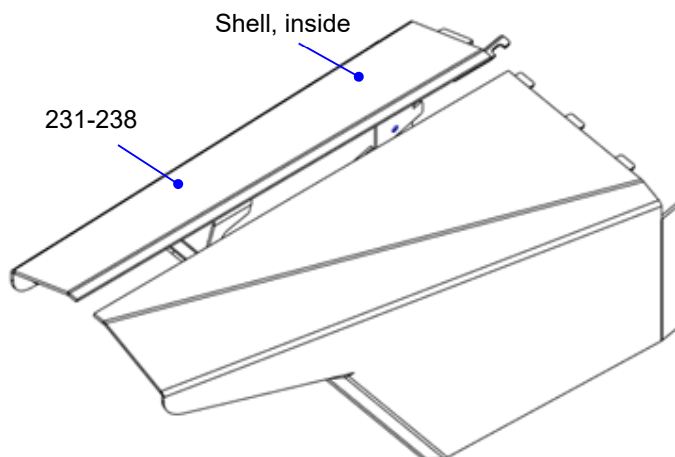


**ONLY FOR 508NCE/515NPE-S/515NPE-L/ LINK V2.8
ONLY FOR ALUMINIUM DECKING ; WITHOUT OUTER DECKING EXTENSION
WITHOUT (PF & RADAR & PD10) OR WITH RADAR
PD10: Passenge Detector 10(带反射板的红外传感器/Photosensor with baffle-board)
PF=Photosensor P+F 光电漫反射; RADAR: 入口雷达感应; ETA-PLUS:星/三角智能转换
LL = LOWER LANDING ; UL = UPPER LANDING**

DAA330V			
REF. No	PART No.	DESCRIPTION	LOCATION
221	GAA402CAA1	SHELL, STEEL, POWDER COATED, BLACK,	LL, Right side; UL Left side
222	GAA402CAA2	SHELL, STEEL, POWDER COATED, BLACK,	LL Left side; UL Right side
223	GAA402CAA3	SHELL, STEEL, POWDER COATED, GREY	LL, Right side; UL Left side
224	GAA402CAA4	SHELL, STEEL, POWDER COATED, GREY	LL Left side; UL Right side
225	DAA402PMS7	SHELL, ST.ST HAIRLINE G2	LL, Right side; UL Left side
226	DAA402PMS8	SHELL, ST.ST HAIRLINE G2	LL Left side; UL Right side
227	GAA402CAB1	SHELL, ALU, ANODIZED FO10	LL, Right side; UL Left side
228	GAA402CAB2	SHELL, ALU, ANODIZED FO10	LL Left side; UL Right side

**508NCE-ANSI/512NCE-ANSI/508NCE
/515NPE-S/515NPE-L/ LINK V2.8
ESCALATOR
HANDRAIL ENTRY GUARD**

**Spare Parts Leaflet
55-DAA330V**

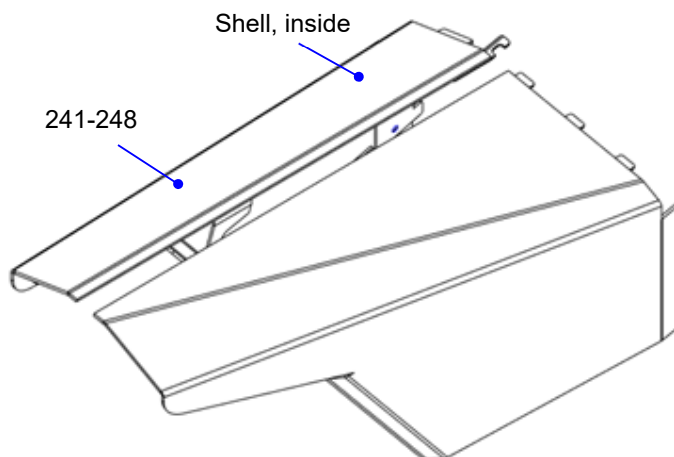


**ONLY FOR 508NCE/515NPE-S/515NPE-L/ LINK V2.8
ONLY FOR ALUMINIUM DECKING
WITHOUT OUTER DECKING EXTENSION
WITH PF ; PF=Photosensor P+F 光电漫反射;
LL = LOWER LANDING ; UL = UPPER LANDING**

DAA330V			
REF. No	PART No.	DESCRIPTION	LOCATION
231	DAA402VP1	SHELL, STEEL, POWDER COATED, BLACK,	LL, Right side; UL Left side
232	DAA402VP2	SHELL, STEEL, POWDER COATED, BLACK,	LL Left side; UL Right side
233	DAA402VP3	SHELL, STEEL, POWDER COATED, GREY	LL, Right side; UL Left side
234	DAA402VP4	SHELL, STEEL, POWDER COATED, GREY	LL Left side; UL Right side
235	DAA402VQ7	SHELL, ST.ST HAIRLINE G2	LL, Right side; UL Left side
236	DAA402VQ8	SHELL, ST.ST HAIRLINE G2	LL Left side; UL Right side
237	DAA402VQ1	SHELL, ALU, ANODIZED FO10	LL, Right side; UL Left side
238	DAA402VQ2	SHELL, ALU, ANODIZED FO10	LL Left side; UL Right side

**508NCE-ANSI/512NCE-ANSI/508NCE
/515NPE-S/515NPE-L/ LINK V2.8
ESCALATOR
HANDRAIL ENTRY GUARD**

**Spare Parts Leaflet
55-DAA330V**



ONLY FOR 508NCE/515NPE-S/515NPE-L/ LINK V2.8

ONLY FOR ALUMINIUM DECKING

WITHOUT OUTER DECKING EXTENSION ; WITH PD10 OR WITH ETA-PLUS

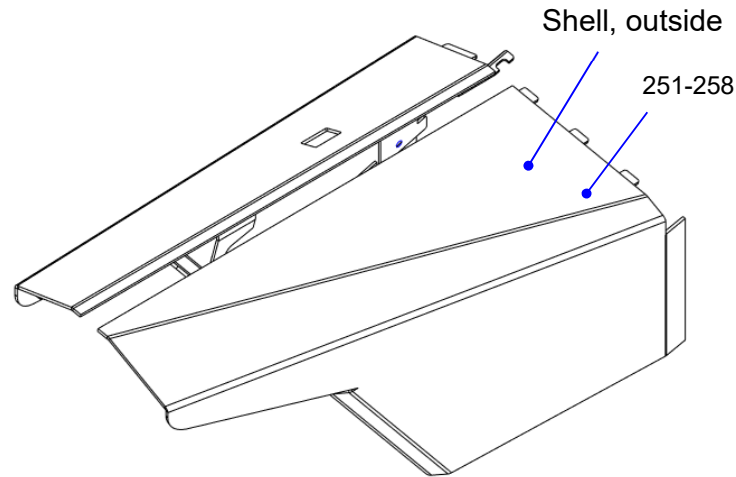
PD10: Passenge Detector 10(带反射板的红外传感器/Photosensor with baffle-board)

ETA-PLUS:星/三角智能转换 ; LL = LOWER LANDING ; UL = UPPER LANDING

DAA330V			
REF. No	PART No.	DESCRIPTION	LOCATION
241	DAA402YR1	SHELL, STEEL, POWDER COATED, BLACK,	LL, Right side; UL Left side
242	DAA402YR2	SHELL, STEEL, POWDER COATED, BLACK,	LL Left side; UL Right side
243	DAA402YR3	SHELL, STEEL, POWDER COATED, GREY	LL, Right side; UL Left side
244	DAA402YR4	SHELL, STEEL, POWDER COATED, GREY	LL Left side; UL Right side
245	DAA402YS7	SHELL, ST.ST HAIRLINE G2	LL, Right side; UL Left side
246	DAA402YS8	SHELL, ST.ST HAIRLINE G2	LL Left side; UL Right side
247	DAA402YS1	SHELL, ALU, ANODIZED FO10	LL, Right side; UL Left side
248	DAA402YS2	SHELL, ALU, ANODIZED FO10	LL Left side; UL Right side

**508NCE-ANSI/512NCE-ANSI/508NCE
/515NPE-S/515NPE-L/ LINK V2.8
ESCALATOR
HANDRAIL ENTRY GUARD**

**Spare Parts Leaflet
55-DAA330V**

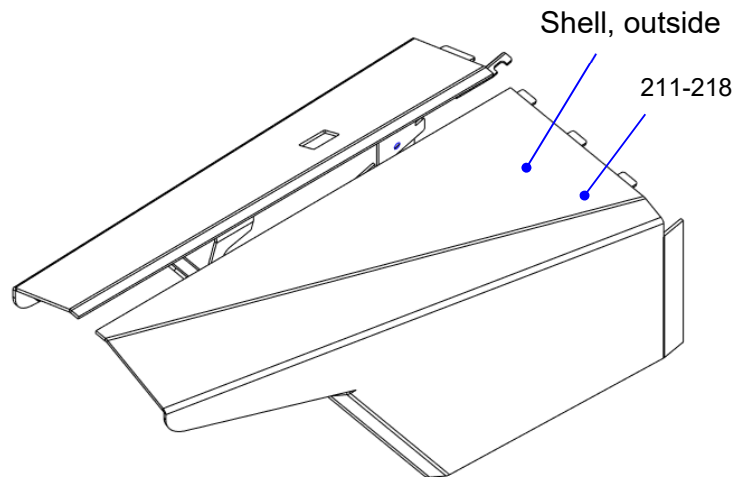


**ONLY FOR 508NCE/515NPE-S/515NPE-L/ LINK V2.8
ONLY FOR ALUMINIUM DECKING
NOT FOR Breclav contract (不用于捷克合同)
WITHOUT OUTER DECKING EXTENSION
LL = LOWER LANDING ; UL = UPPER LANDING**

DAA330V			
REF. No	PART No.	DESCRIPTION	LOCATION
251	DAA402ZC13	SHELL, STEEL, POWDER COATED, BLACK,	LL, Right side; UL Left side
252	GAA402CAA12	SHELL, STEEL, POWDER COATED, BLACK,	LL Left side; UL Right side
253	DAA402ZC15	SHELL, STEEL, POWDER COATED, GREY	LL, Right side; UL Left side
254	GAA402CAA16	SHELL, STEEL, POWDER COATED, GREY	LL Left side; UL Right side
255	DAA402ZC93	SHELL, ST.ST HAIRLINE G2	LL, Right side; UL Left side
256	DAA402PMS18	SHELL, ST.ST HAIRLINE G2	LL Left side; UL Right side
257	DAA402ZC51	SHELL, ALU, ANODIZED FO10	LL, Right side; UL Left side
258	GAA402CAB12	SHELL, ALU, ANODIZED FO10	LL Left side; UL Right side

**508NCE-ANSI/512NCE-ANSI/508NCE
/515NPE-S/515NPE-L/ LINK V2.8
ESCALATOR
HANDRAIL ENTRY GUARD**

**Spare Parts Leaflet
55-DAA330V**

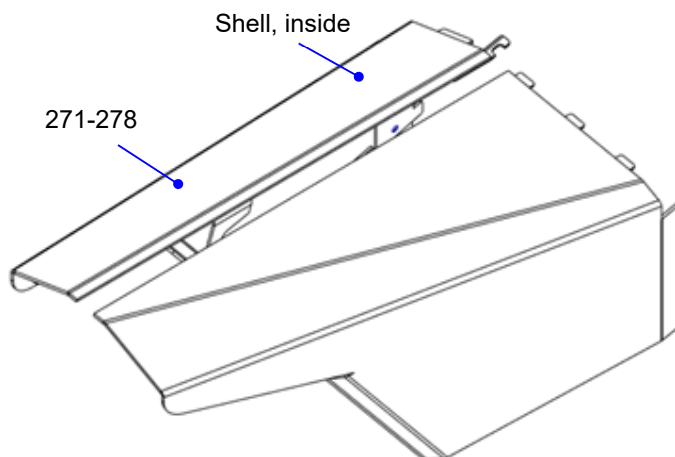


**ONLY FOR 508NCE/515NPE-S/515NPE-L/ LINK V2.8
ONLY FOR ALUMINIUM DECKING
ONLY FOR Breclav contract (只用于捷克合同)
WITHOUT OUTER DECKING EXTENSION
LL = LOWER LANDING ; UL = UPPER LANDING**

DAA330V			
REF. No	PART No.	DESCRIPTION	LOCATION
261	GAA402CAA11	SHELL, STEEL, POWDER COATED, BLACK,	LL, Right side; UL Left side
262	GAA402CAA12	SHELL, STEEL, POWDER COATED, BLACK,	LL Left side; UL Right side
263	GAA402CAA15	SHELL, STEEL, POWDER COATED, GREY	LL, Right side; UL Left side
264	GAA402CAA16	SHELL, STEEL, POWDER COATED, GREY	LL Left side; UL Right side
265	DAA402PMS17	SHELL, ST.ST HAIRLINE G2	LL, Right side; UL Left side
266	DAA402PMS18	SHELL, ST.ST HAIRLINE G2	LL Left side; UL Right side
267	GAA402CAB11	SHELL, ALU, ANODIZED FO10	LL, Right side; UL Left side
268	GAA402CAB12	SHELL, ALU, ANODIZED FO10	LL Left side; UL Right side

**508NCE-ANSI/512NCE-ANSI/508NCE
/515NPE-S/515NPE-L/ LINK V2.8
ESCALATOR
HANDRAIL ENTRY GUARD**

**Spare Parts Leaflet
55-DAA330V**

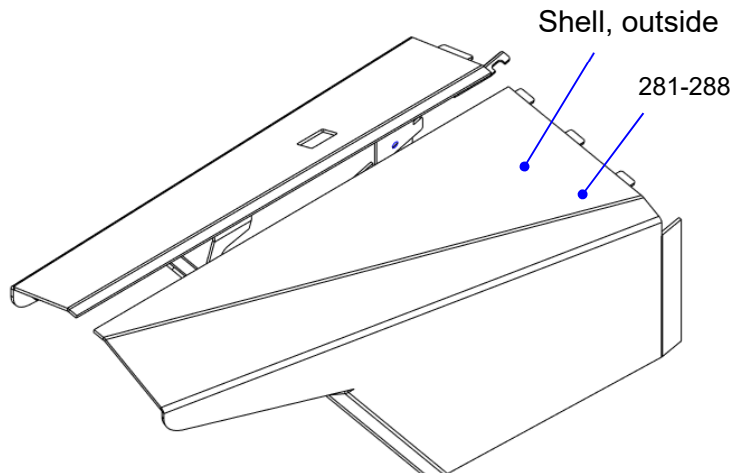


**ONLY FOR 508NCE/515NPE-S/515NPE-L/ LINK V2.8
WITH OUTER DECKING EXTENSION
LL = LOWER LANDING ; UL = UPPER LANDING**

DAA330V			
REF. No	PART No.	DESCRIPTION	LOCATION
271	GAA402CAA1	SHELL, STEEL, POWDER COATED, BLACK,	LL, Right side; UL Left side
272	GAA402CAA2	SHELL, STEEL, POWDER COATED, BLACK,	LL Left side; UL Right side
273	GAA402CAA3	SHELL, STEEL, POWDER COATED, GREY	LL, Right side; UL Left side
274	GAA402CAA4	SHELL, STEEL, POWDER COATED, GREY	LL Left side; UL Right side
275	DAA402PMS7	SHELL, ST.ST HAIRLINE G2	LL, Right side; UL Left side
276	DAA402PMS8	SHELL, ST.ST HAIRLINE G2	LL Left side; UL Right side
277	GAA402CAB1	SHELL, ALU, ANODIZED FO10	LL, Right side; UL Left side
278	GAA402CAB2	SHELL, ALU, ANODIZED FO10	LL Left side; UL Right side

**508NCE-ANSI/512NCE-ANSI/508NCE
/515NPE-S/515NPE-L/ LINK V2.8
ESCALATOR
HANDRAIL ENTRY GUARD**

**Spare Parts Leaflet
55-DAA330V**

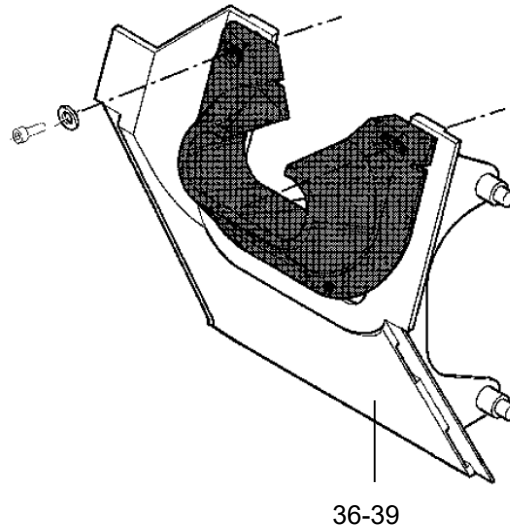


**ONLY FOR 508NCE/515NPE-S/515NPE-L/ LINK V2.8
WITH OUTER DECKING EXTENSION
LL = LOWER LANDING ; UL = UPPER LANDING**

DAA330V			
REF. No	PART No.	DESCRIPTION	LOCATION
281	GAA402CAA-V11+ GAA402CAA-V201	SHELL, STEEL, POWDER COATED, BLACK,	LL, Right side; UL Left side
282	GAA402CAA-V12+ GAA402CAA-V202	SHELL, STEEL, POWDER COATED, BLACK,	LL Left side; UL Right side
283	GAA402CAA-V15+ GAA402CAA-V201	SHELL, STEEL, POWDER COATED, GREY	LL, Right side; UL Left side
284	GAA402CAA-V16+ GAA402CAA-V202	SHELL, STEEL, POWDER COATED, GREY	LL Left side; UL Right side
285	DAA402PMS-V17+ DAA402PMS-V203	SHELL, ST.ST HAIRLINE G2	LL, Right side; UL Left side
286	DAA402PMS-V18+ DAA402PMS-V204	SHELL, ST.ST HAIRLINE G2	LL Left side; UL Right side
287	GAA402CAB-V11+ GAA402CAB-V201	SHELL, ALU, ANODIZED FO10	LL, Right side; UL Left side
288	GAA402CAB-V12+ GAA402CAB-V202	SHELL, ALU, ANODIZED FO10	LL Left side; UL Right side

**508NCE-ANSI/512NCE-ANSI/508NCE
/515NPE-S/515NPE-L/ LINK V2.8
ESCALATOR
HANDRAIL ENTRY GUARD**

**Spare Parts Leaflet
55-DAA330V**

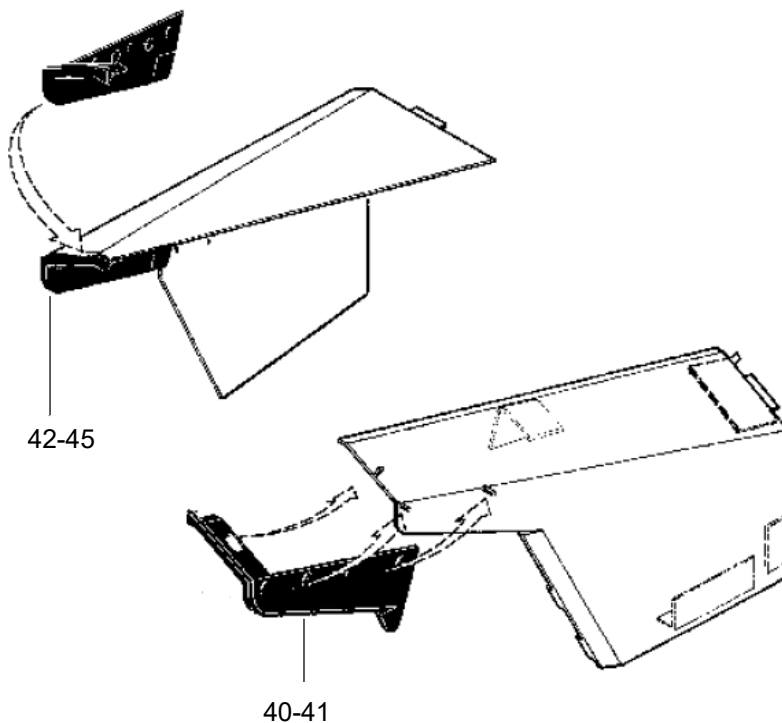


**LL = LOWER LANDING
UL = UPPER LANDING**

DAA330V		
REF. No.	PART No.	DESCRIPTION
36A	GAB438BNX1	Front-plate, LL Right side; UL Left side, switch without reset-function
36B	GAB438BNX7	Front-plate, LL Right side; UL Left side, switch with reset- button
37A	GAB438BNX2	Front-plate, LL Left side; UL Right side, switch without reset-function
37B	GAB438BNX8	Front-plate, LL Left side; UL Right side, switch with reset- button
38A	GAB438BNX-V3	Front-plate,Right side,Outer decking extension 25mm,switch without reset-function
38B	GAB438BNX-V9	Front-plate,Right side,Outer decking extension 25mm, switch with reset- button
39A	GAB438BNX-V4	Front-plate, Left side, Outer decking extension 25mm, switch without reset-function
39B	GAB438BNX-V10	Front-plate, Left side, Outer decking extension 25mm, switch with reset- button

**508NCE-ANSI/512NCE-ANSI/508NCE
/515NPE-S/515NPE-L/ LINK V2.8
ESCALATOR
HANDRAIL ENTRY GUARD**

**Spare Parts Leaflet
55-DAA330V**

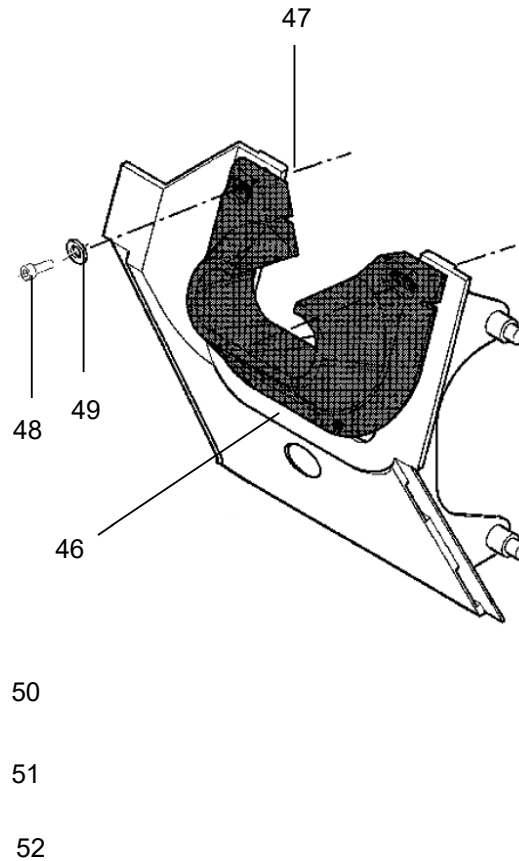


**LL = LOWER LANDING
UL = UPPER LANDING**

DAA330V		
REF. No.	PART No.	DESCRIPTION
40	GAA402BNF1	MOULDING, Inside, LL Right side; UL Left side
41	GAA402BNF2	MOULDING, Inside, LL Left side; UL Right side
42	GAA402BNF3	MOULDING, Outside, LL Right side; UL Left side
43	GAA402BNF4	MOULDING, Outside, LL Left side; UL Right side
44	GAA402BNF-V5	Moulding, Outside, LL Right side ;UL Left side, For outer decking extension 25mm
45	GAA402BNF-V6	Moulding, Outside, LL Left side; UL Right side, For outer decking extension 25mm

**508NCE-ANSI/512NCE-ANSI/508NCE
/515NPE-S/515NPE-L/ LINK V2.8
ESCALATOR
HANDRAIL ENTRY GUARD**

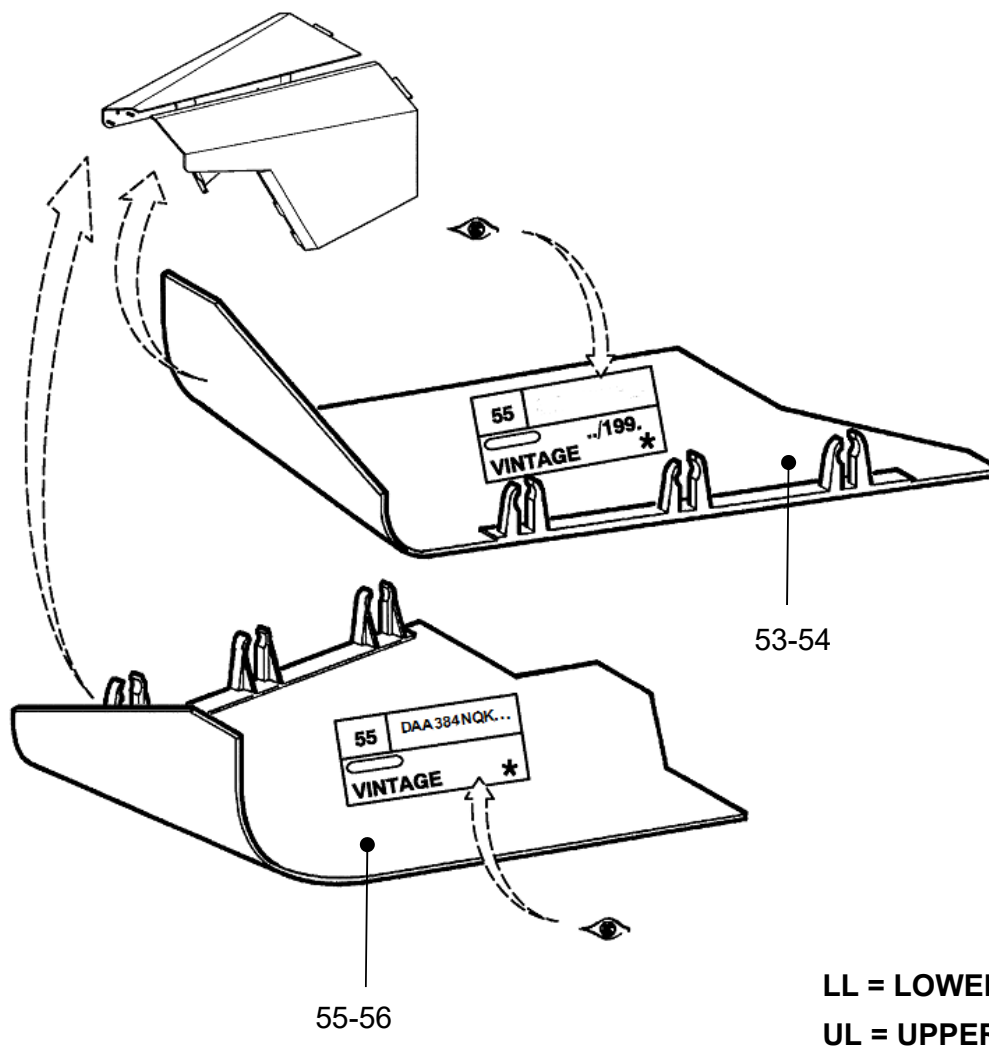
**Spare Parts Leaflet
55-DAA330V**



DAA330V		
REF. No.	PART No.	DESCRIPTION
46	GAA384JZ1	Handrail guide insert guard
47	GAA72BW1	Nut M6
48	---	Hex. Socket head cap screw M6x30 ISO4762 (DIN912,198853)
49	GAA255MH1	Shim
50	GAA256AW2	Shim, self adhesive
51	GAA299BBF1	Bar
52	---	Washer nut M8 (52126)

**508NCE-ANSI/512NCE-ANSI/508NCE
/515NPE-S/515NPE-L/ LINK V2.8
ESCALATOR
HANDRAIL ENTRY GUARD**

**Spare Parts Leaflet
55-DAA330V**



DAA330V		
REF. No.	PART No.	DESCRIPTION
53	DAA384NQK1	Deflector guard, inside, LL right side ; UL left side
54	DAA384NQK2	Deflector guard, inside, LL left side ;UL right side
55	DAA384NQK3	Deflector guard, outside, LL right side ; UL left side
56	DAA384NQK4	Deflector guard, outside, LL left side ;UL right side
57	DAA384NQK-V5	Deflector guard, outside, LL right side; UL left side, outer decking extension 25mm
58	DAA384NQK-V6	Deflector guard, outside, LL left side; UL right side, outer decking extension 25mm