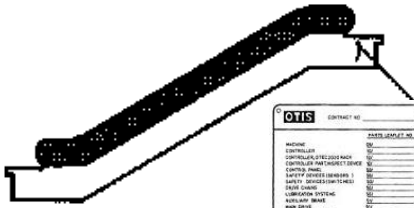
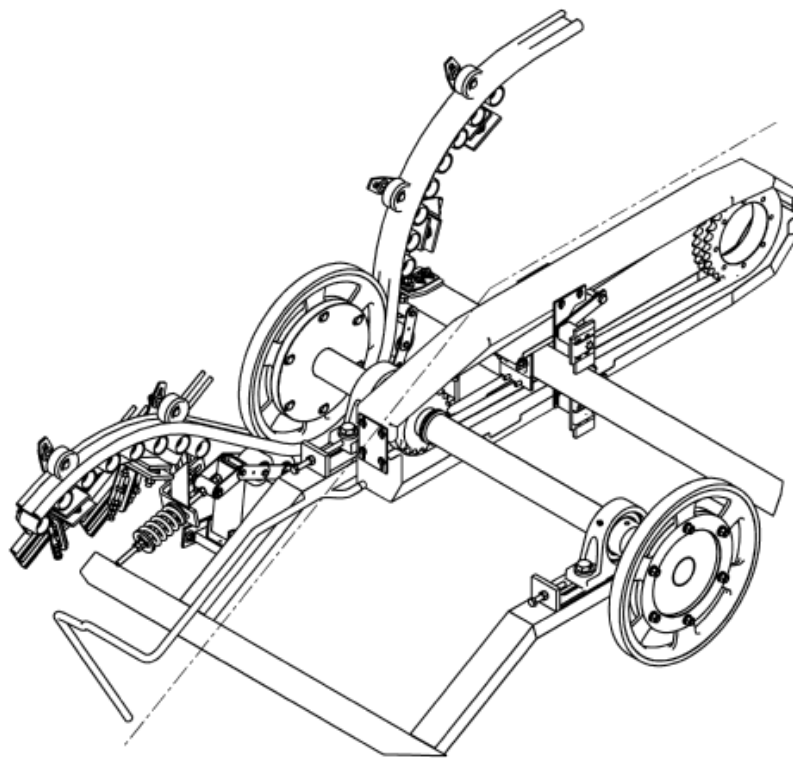


# 508NCE ESCALATOR HANDRAIL DRIVE DEVICE

**Spare Parts Leaflet**  
**55 – DAA26180H**  
Nov. 30, 2016 / Page 1 of 7



OTIS		CONTRACT NO.	TYPE	OTIS
INSTALLATION		PARTS LIST		
MACHINE	01	GENERAL PARTS	01	
CONTROLLER	02	WINDING DRUMS/DRUMS	02	
CONTROL SYSTEMS	03	LANDING/PLATFORMS	03	
DRIVE MOTOR	04	SKIDWAYS	04	
SAFETY DEVICES (BRAKES)	05	SKIDWAYS - RAILS	05	
SAFETY DEVICES (STOP-BARS)	06	SKIDWAYS - JOINTS	06	
RAIL GUIDE	07	SKIDWAYS - RAILS	07	
LANDING SYSTEMS	08	SKIDWAYS - RAILS	08	
WINDING DRUMS	09	SKIDWAYS - RAILS	09	
WINDING DRUMS	10	SKIDWAYS - RAILS	10	
SKIDWAYS	11	SKIDWAYS - RAILS	11	
SKIDWAYS	12	SKIDWAYS - RAILS	12	
SKIDWAYS	13	SKIDWAYS - RAILS	13	
SKIDWAYS	14	SKIDWAYS - RAILS	14	
SKIDWAYS	15	SKIDWAYS - RAILS	15	
SKIDWAYS	16	SKIDWAYS - RAILS	16	
SKIDWAYS	17	SKIDWAYS - RAILS	17	
SKIDWAYS	18	SKIDWAYS - RAILS	18	
SKIDWAYS	19	SKIDWAYS - RAILS	19	
SKIDWAYS	20	SKIDWAYS - RAILS	20	
SKIDWAYS	21	SKIDWAYS - RAILS	21	
SKIDWAYS	22	SKIDWAYS - RAILS	22	
SKIDWAYS	23	SKIDWAYS - RAILS	23	
SKIDWAYS	24	SKIDWAYS - RAILS	24	
SKIDWAYS	25	SKIDWAYS - RAILS	25	
SKIDWAYS	26	SKIDWAYS - RAILS	26	
SKIDWAYS	27	SKIDWAYS - RAILS	27	
SKIDWAYS	28	SKIDWAYS - RAILS	28	
SKIDWAYS	29	SKIDWAYS - RAILS	29	
SKIDWAYS	30	SKIDWAYS - RAILS	30	
SKIDWAYS	31	SKIDWAYS - RAILS	31	
SKIDWAYS	32	SKIDWAYS - RAILS	32	
SKIDWAYS	33	SKIDWAYS - RAILS	33	
SKIDWAYS	34	SKIDWAYS - RAILS	34	
SKIDWAYS	35	SKIDWAYS - RAILS	35	
SKIDWAYS	36	SKIDWAYS - RAILS	36	
SKIDWAYS	37	SKIDWAYS - RAILS	37	
SKIDWAYS	38	SKIDWAYS - RAILS	38	
SKIDWAYS	39	SKIDWAYS - RAILS	39	
SKIDWAYS	40	SKIDWAYS - RAILS	40	
SKIDWAYS	41	SKIDWAYS - RAILS	41	
SKIDWAYS	42	SKIDWAYS - RAILS	42	
SKIDWAYS	43	SKIDWAYS - RAILS	43	
SKIDWAYS	44	SKIDWAYS - RAILS	44	
SKIDWAYS	45	SKIDWAYS - RAILS	45	
SKIDWAYS	46	SKIDWAYS - RAILS	46	
SKIDWAYS	47	SKIDWAYS - RAILS	47	
SKIDWAYS	48	SKIDWAYS - RAILS	48	
SKIDWAYS	49	SKIDWAYS - RAILS	49	
SKIDWAYS	50	SKIDWAYS - RAILS	50	
SKIDWAYS	51	SKIDWAYS - RAILS	51	
SKIDWAYS	52	SKIDWAYS - RAILS	52	
SKIDWAYS	53	SKIDWAYS - RAILS	53	
SKIDWAYS	54	SKIDWAYS - RAILS	54	
SKIDWAYS	55	SKIDWAYS - RAILS	55	
SKIDWAYS	56	SKIDWAYS - RAILS	56	
SKIDWAYS	57	SKIDWAYS - RAILS	57	
SKIDWAYS	58	SKIDWAYS - RAILS	58	
SKIDWAYS	59	SKIDWAYS - RAILS	59	
SKIDWAYS	60	SKIDWAYS - RAILS	60	
SKIDWAYS	61	SKIDWAYS - RAILS	61	
SKIDWAYS	62	SKIDWAYS - RAILS	62	
SKIDWAYS	63	SKIDWAYS - RAILS	63	
SKIDWAYS	64	SKIDWAYS - RAILS	64	
SKIDWAYS	65	SKIDWAYS - RAILS	65	
SKIDWAYS	66	SKIDWAYS - RAILS	66	
SKIDWAYS	67	SKIDWAYS - RAILS	67	
SKIDWAYS	68	SKIDWAYS - RAILS	68	
SKIDWAYS	69	SKIDWAYS - RAILS	69	
SKIDWAYS	70	SKIDWAYS - RAILS	70	
SKIDWAYS	71	SKIDWAYS - RAILS	71	
SKIDWAYS	72	SKIDWAYS - RAILS	72	
SKIDWAYS	73	SKIDWAYS - RAILS	73	
SKIDWAYS	74	SKIDWAYS - RAILS	74	
SKIDWAYS	75	SKIDWAYS - RAILS	75	
SKIDWAYS	76	SKIDWAYS - RAILS	76	
SKIDWAYS	77	SKIDWAYS - RAILS	77	
SKIDWAYS	78	SKIDWAYS - RAILS	78	
SKIDWAYS	79	SKIDWAYS - RAILS	79	
SKIDWAYS	80	SKIDWAYS - RAILS	80	
SKIDWAYS	81	SKIDWAYS - RAILS	81	
SKIDWAYS	82	SKIDWAYS - RAILS	82	
SKIDWAYS	83	SKIDWAYS - RAILS	83	
SKIDWAYS	84	SKIDWAYS - RAILS	84	
SKIDWAYS	85	SKIDWAYS - RAILS	85	
SKIDWAYS	86	SKIDWAYS - RAILS	86	
SKIDWAYS	87	SKIDWAYS - RAILS	87	
SKIDWAYS	88	SKIDWAYS - RAILS	88	
SKIDWAYS	89	SKIDWAYS - RAILS	89	
SKIDWAYS	90	SKIDWAYS - RAILS	90	
SKIDWAYS	91	SKIDWAYS - RAILS	91	
SKIDWAYS	92	SKIDWAYS - RAILS	92	
SKIDWAYS	93	SKIDWAYS - RAILS	93	
SKIDWAYS	94	SKIDWAYS - RAILS	94	
SKIDWAYS	95	SKIDWAYS - RAILS	95	
SKIDWAYS	96	SKIDWAYS - RAILS	96	
SKIDWAYS	97	SKIDWAYS - RAILS	97	
SKIDWAYS	98	SKIDWAYS - RAILS	98	
SKIDWAYS	99	SKIDWAYS - RAILS	99	
SKIDWAYS	100	SKIDWAYS - RAILS	100	



Unpublished Work—© Otis Elevator Co.

**OTIS**

**Safety First!**

**ESCALATOR ENGINEERING**  
Otis Elevator Company  
SIT GUANGZHOU

**606NCT ESCALATOR /  
606NCT TRAVOLATOR  
MACHINE EC-SW**

**Spare Parts Leaflet  
06- ASA00A642A/C**

**508NCE ESCALATOR  
55 – DAA26180H**

## History

### Leaflet Description

**Handrail drive device for 508NCE**

#### Leaflet Revisions

<b>Date Revised</b>	<b>Subject Matter Expert</b>	<b>Reason for Revision</b>
2009-05-05	Wu, Muke	Original document
2010-11-18	Wu, Muke	SPL code "57" changed to "55".
2016-11-30	Gao, Yinglin	GAA456DH1 changed to GAA456DR3; DAA265K11 changed to DAA265K21; DAA385NNX1/2 & DAA332AG4 added.

#### Related Drawings

<b>Drawing No.</b>	<b>Title</b>	<b>Drawing No.</b>	<b>Title</b>
DAA26180H	HANDRAIL DRIVE DEVICE		

#### Related Documents

<b>Document ID</b>	<b>Title</b>
BOM DAA26180H	HANDRAIL DRIVE DEVICE

#### Subject Matter Expert

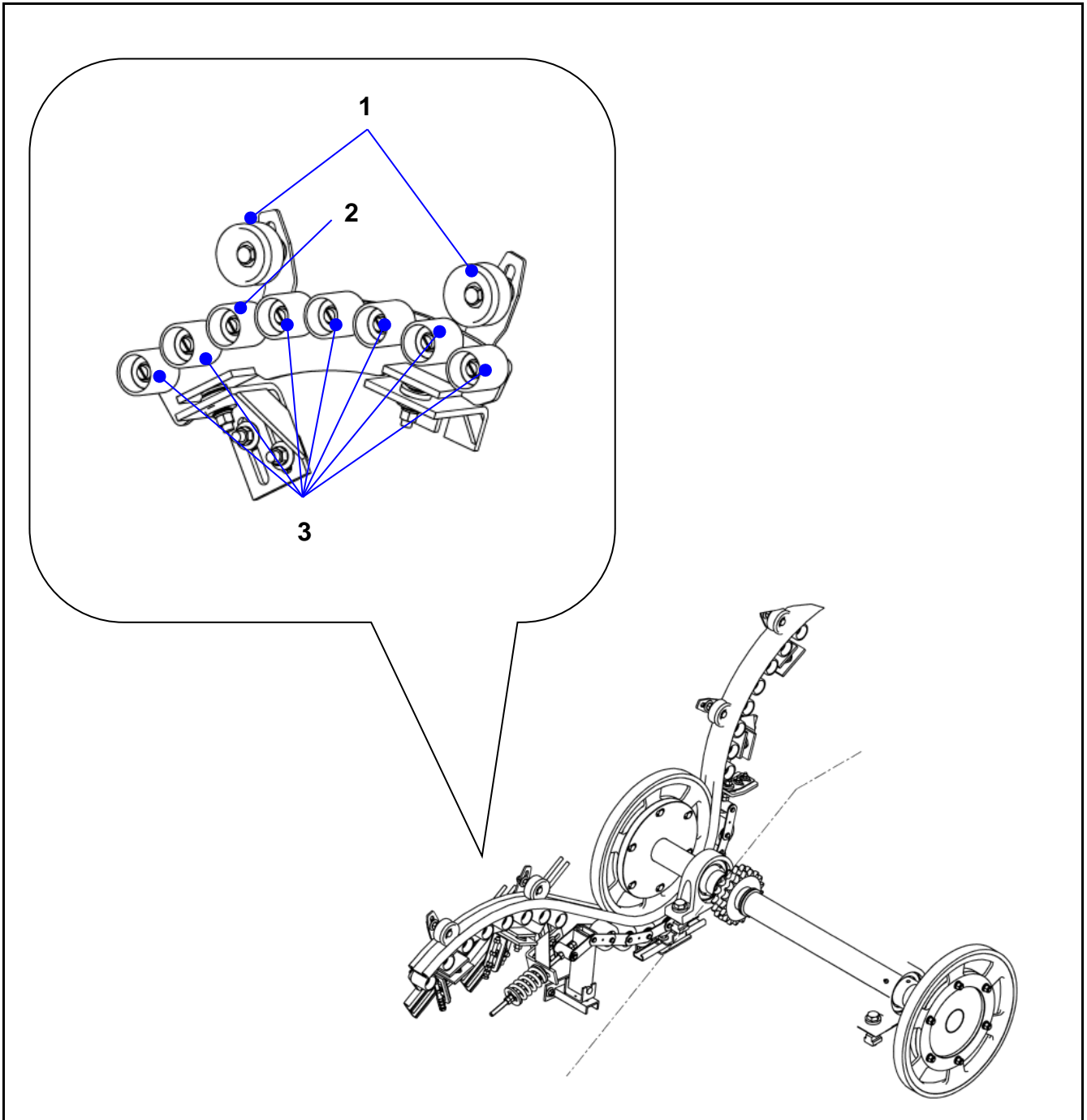
<b>Name</b>	<b>Department</b>
Wu, Muke	SIT-GUANGZHOU

**About Spare Parts Leaflets...**

This document lists the lowest replaceable units (LRUs) for the standard version of the product. The LRUs are chosen by a team of Otis associates representing engineering and manufacturing.

While goal of this document is to make parts identification as easy as possible, the document cannot be all-inclusive. Elevator and escalator contracts classified as "special" or "custom" are not addressed here. For such contracts, please refer to specified information, the contract folder, TIPs, Field Education Articles, Construction Letters, etc. for further information.

If you have any suggestions about this document, please contact the subject matter expert listed on this page.

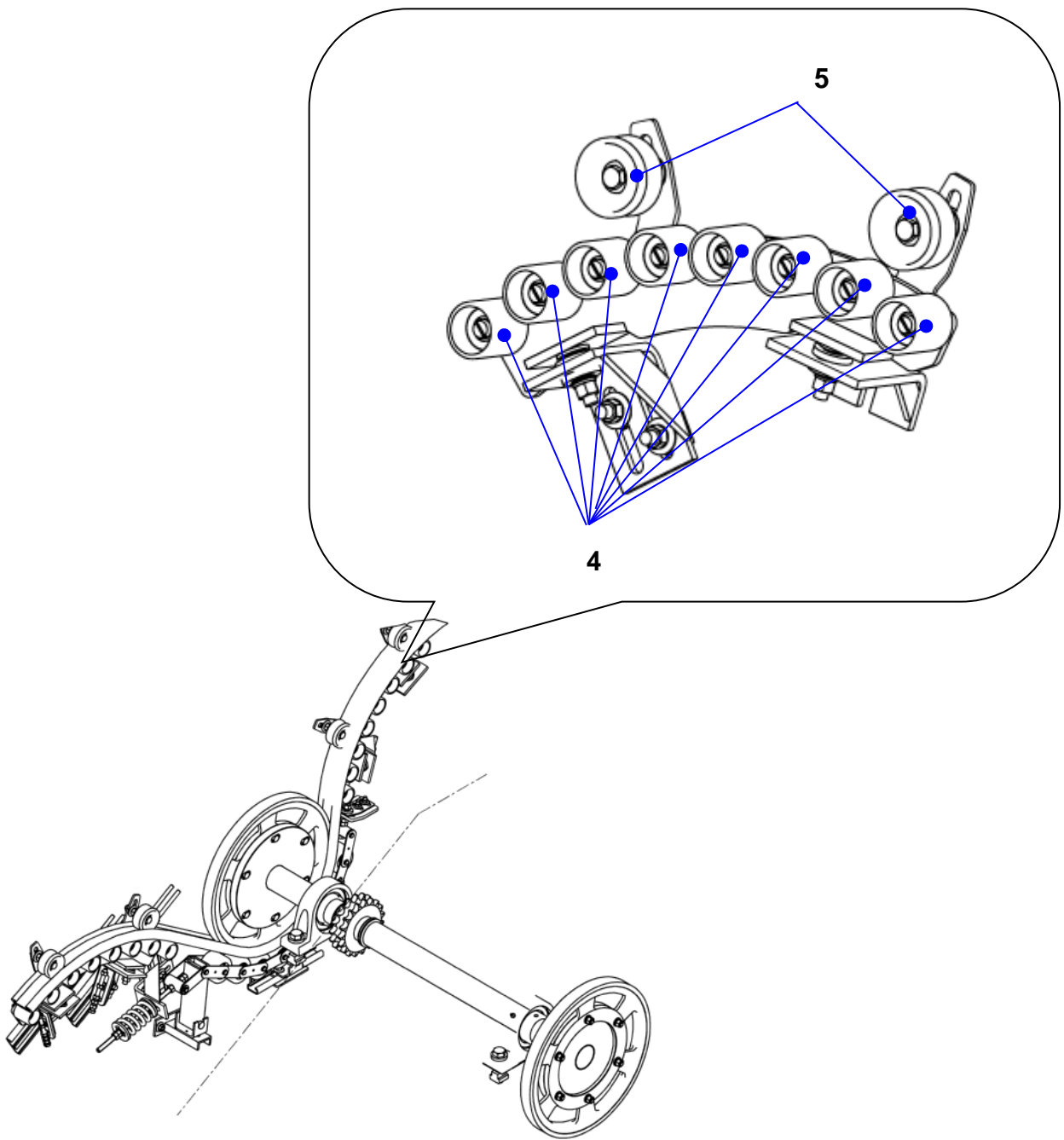


<b>DAA26180H</b>		
<b>REF. No.</b>	<b>PART No.</b>	<b>DESCRIPTION</b>
1	GAA456DH1	ROLLER
	GAA456DR3	
2	GAA456DG11	ROLLER ANTISTATIC ROLLER

**508NCE ESCALATOR  
HANDRIAL DRIVE DEVICE**

**Spare Parts Leaflet  
55 - DAA26180H**

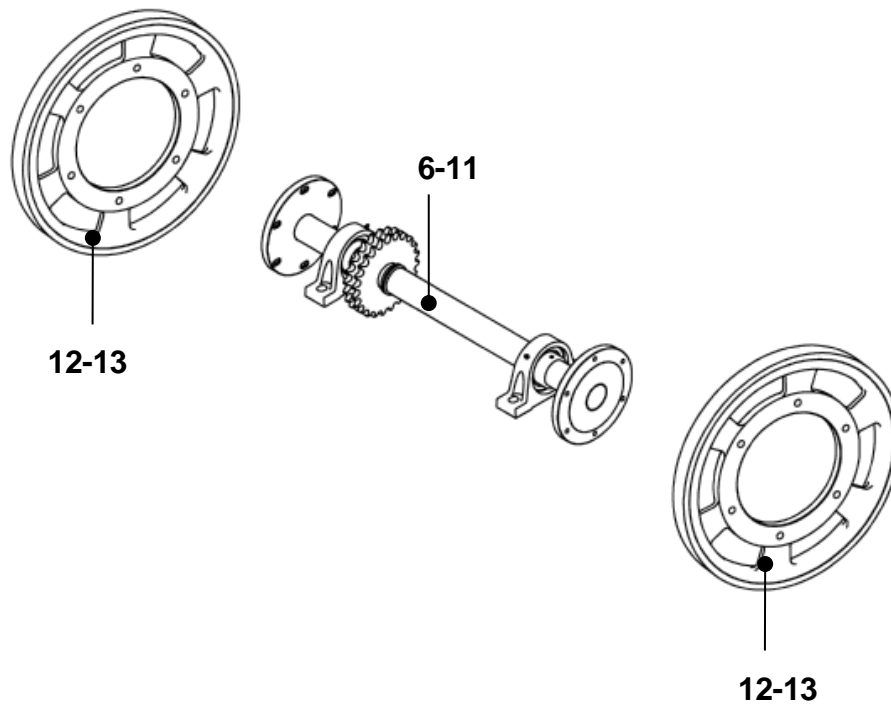
3	GAA456DG10	ROLLER
---	------------	--------



<b>DAA26180H</b>		
REF. No.	PART No.	DESCRIPTION
4	GAA456DG10	ROLLER
5	GAA456DH1	ROLLER
	GAA456DR3	

**508NCE ESCALATOR  
HANDRAIL DRIVE DEVICE**

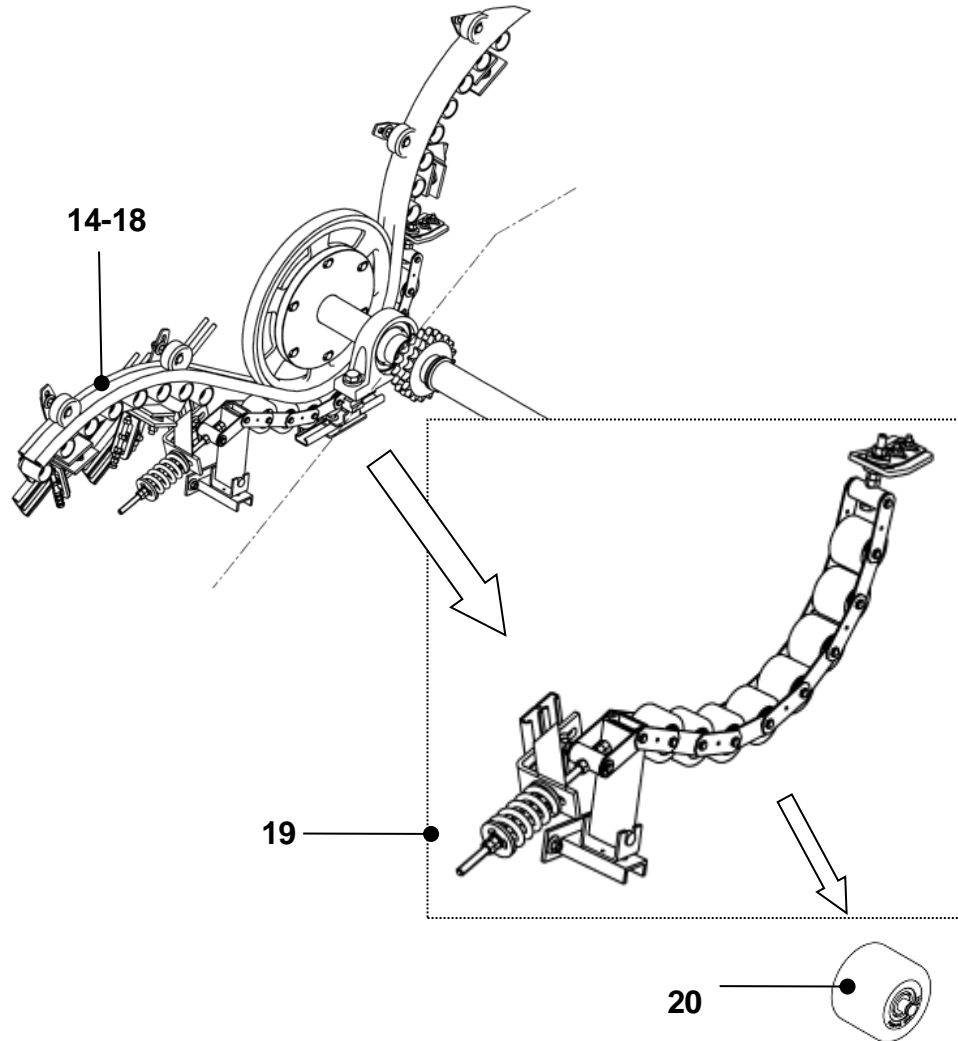
**Spare Parts Leaflet  
55 – DAA26180H**



<b>DAA26180H</b>		
<b>REF. No.</b>	<b>PART No.</b>	<b>DESCRIPTION</b>
6	DAA494AT4	HANDRAIL SHAFT ASSEMBLY TYPE1000, INDOOR
7	DAA494AT5	HANDRAIL SHAFT ASSEMBLY TYPE800, INDOOR
8	DAA494AT6	HANDRAIL SHAFT ASSEMBLY TYPE600, INDOOR
9	DAA494AT14	HANDRAIL SHAFT ASSEMBLY TYPE1000, OUTDOOR
10	DAA494AT15	HANDRAIL SHAFT ASSEMBLY TYPE800, OUTDOOR
11	DAA494AT16	HANDRAIL SHAFT ASSEMBLY TYPE600, OUTDOOR
12	DAA265K1	SHEAVE INDOOR
13	DAA265K11	SHEAVE OUTDOOR
	DAA265K21	

**508NCE ESCALATOR  
HANDRIAL DRIVE DEVICE**

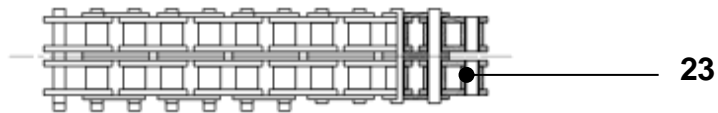
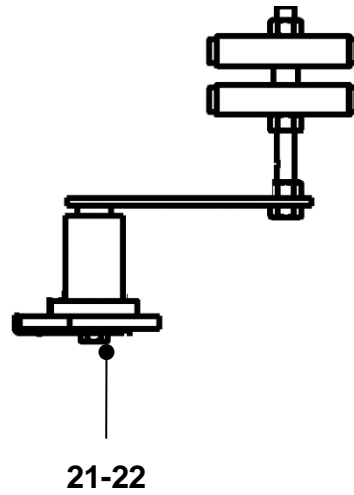
**Spare Parts Leaflet  
55 - DAA26180H**



DAA26180H			
REF. No.	PART No.	DESCRIPTION	
14	GO50AEX	HANDRAIL	BLACK, INDOOR
15	GO50AEY	HANDRAIL	COLOURED, OUTDOOR
16	GO50AEV	HANDRAIL	BLACK, OUTDOOR
17	GO50AEW	HANDRAIL	COLOURED, OUTDOOR
18	GAA50ANT1	HANDRAIL	EHC NT2000
19	DAA332S1	CHAIN	
20	GAA456CX3	ROLLER	

**508NCE ESCALATOR  
HANDRAIL DRIVE DEVICE**

**Spare Parts Leaflet  
55 – DAA26180H**



DAA26180J		
REF. No.	PART No.	DESCRIPTION
21	DAA385NNX1	Chain tensioner, indoor
22	DAA385NNX2	Chain tensioner, outdoor
23	DAA332AG4	Driving chain