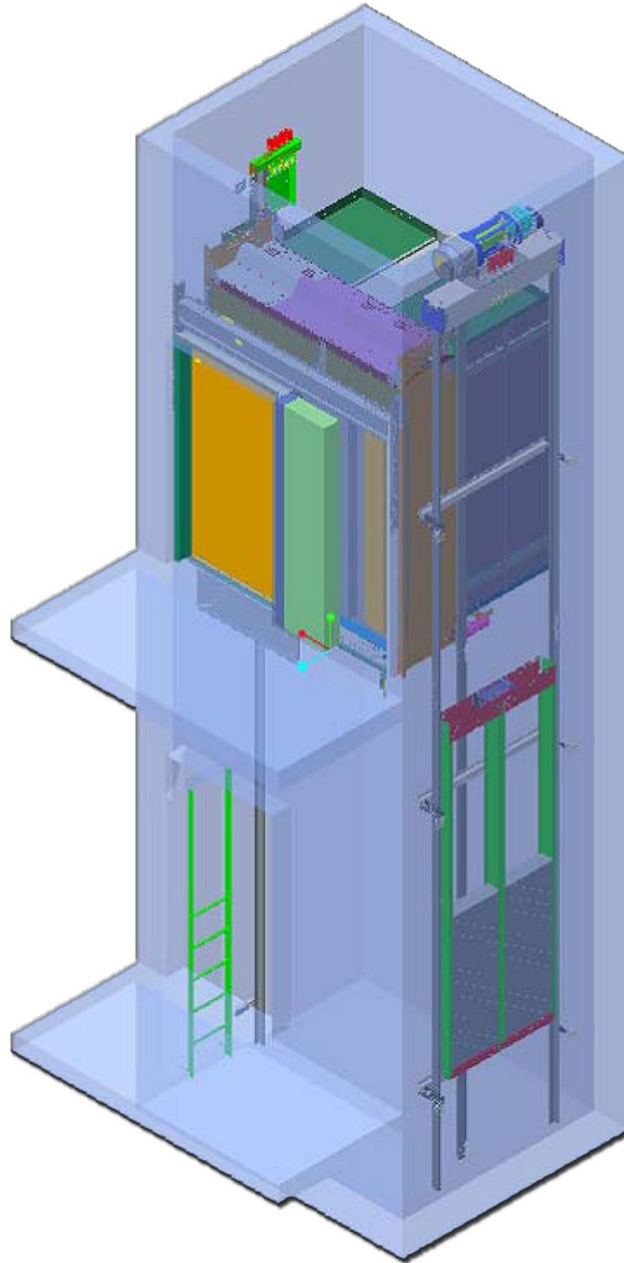


**Gen3™ Edge
Gen2® Underslung
Elevator System**

**Spare Parts Leaflet
40-AAA29000AN**

December 17, 2025 / Page 1 of 16



OTIS

This document does not contain any technical data subject to EAR or ITAR

**SERVICE ENGINEERING
Otis Elevator Company
Bloomfield, Connecticut USA**

Unpublished Work—© Otis Elevator Co.; 2025

History

40-AAA29000AN

Leaflet Description

This is a system level SPL for the Gen3 Edge elevator systems that run at 150, 200, or 350 fpm. These systems were previously referred to as Gen2 Underslung and have also been sometimes referred to as Gen2-S or Gen2 150. This is a general reference spare parts leaflet (SPL) that lists the supporting SPLs. The leaflets are ordered by the component code and then by the base number of the engineering assembly drawing number that defines the unique identity of a SPL. Use only those leaflets whose issue date either matches the date indicated in this SPL or a later date.

Leaflet Revisions

Date Revised	Subject Matter Expert	Reason for Revision
June 19, 2013	Troy Chicoine	New SPL
May 14, 2014	Troy Chicoine	Updated information and document template
May 20, 2015	Troy Chicoine	Updated information
April 20, 2016	Troy Chicoine	Updated information
March 1, 2017	Troy Chicoine	Updated information
December 6, 2017	Troy Chicoine	Updated information
April 18, 2018	Troy Chicoine	Updated information
April 10, 2019	Troy Chicoine	Added SPL 14-AAA20780Y
March 25, 2020	Troy Chicoine	Updated information
July 1, 2020	Juan Murillo	Added SPL 03-FAA320FC
April 7, 2021	Juan Murillo	Updated information
April 27, 2022	Juan Murillo	Updated information
July 13, 2022	Juan Murillo	Added SPL 16-AAA25700BM
April 5, 2023	Juan Murillo	Updated information
July 10, 2024	Juan Murillo	Included Gen3 Edge and updated information.
December 17, 2025	Jordan Thomas	Added 15-TAA20641H & 27-AAA23400AD.

Related Drawings

Drawing No.	Title	Drawing No.	Title
AAA29000AN	Gen2 [®] -S System Level		

Subject Matter Expert

Name	Department
Juan Murillo	OSC Service Engineering

About Spare Parts Leaflets...

This document lists the lowest replaceable units (LRUs) for the standard version of the product. The LRUs are chosen by a team of Otis associates representing engineering and manufacturing.

While goal of this document is to make parts identification as easy as possible, the document cannot be all-inclusive. Elevator and escalator contracts classified as "special" or "custom" are not addressed here. For such contracts, please refer to specified information, the contract folder, TIPs, Field Education Articles, Construction Letters, etc. for further information.

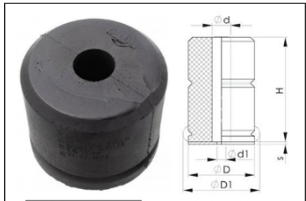
If you have any suggestions about this document, please contact the subject matter expert listed on this page.

03-FAA320FC

SPL Title
Buffer for Gen2,
ASME A17.1:2016

Release Date:
10/01/2019

Parts Leaflet October 2019 Page 1/3
BUFFER for **Gen2**
ASME A17.1:2016 03 F..320FC



AMC 'X' Feasibility
Component shall meet or exceed listed codes
references to report feasibility requirement
ASME A17.1:2016, Section VIII, Div. 1
ASME A17.1:2016, Section VIII, Div. 1
Part of Public Work—OTIS Elevator Co., 2019

AMC 'X' Certificate of Feasibility
Component shall be designed with ENR
92.004 (ENR) 1.2
One buffer of each type to be installed
one per square to support landing.

E3 LIST SAFETY COMPONENT / CE Component
(U.S. DOMESTIC DESIGN) 10
DAD SAFETY COMPONENT
Warning
No change of any kind without prior approval by Issued Body

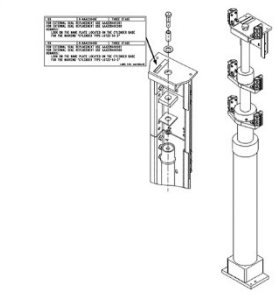
OTIS

03-AAA22840D

SPL Title
Cylinder 3-Stage

Release Date:
09/25/2019

Cylinder 3-Stage Spare Parts Leaflet
03-AAA22840D
September 25, 2019 / Page 1 of 7



OTIS

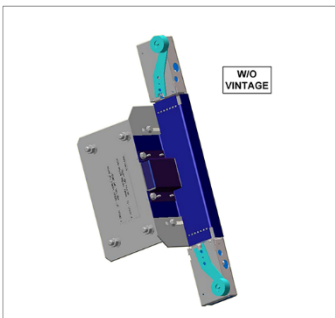
SERVICE ENGINEERING
Otis Elevator Company
Bloomfield, Connecticut USA
Unpublished Work—© Otis Elevator Co., 2019

05-AAA6098PF

SPL Title
Final Limit Switch
Arrangements Gen2®
Underslung

Release Date:
07/31/2013

Final Limit Switch Arrangements Gen2® Underslung Spare Parts Leaflet
05-AAA6098PF
July 31, 2013 / Page 1 of 4



W/O VINTAGE

OTIS

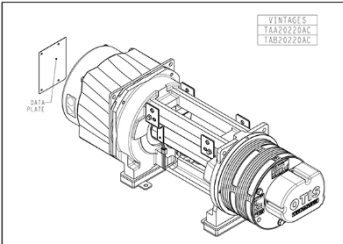
SERVICE ENGINEERING
Otis Elevator Company
Bloomfield, Connecticut USA
Unpublished Work—© Otis Elevator Co., 2013

06-TAA20220AC

SPL Title
Gearless Gen2
Machine 2.6T – 3.2T
ANSI Series

Release Date:
05/01/2019

Gearless Gen2 Machine 2.6-3.2T ANSI Series Spare Parts Leaflet
06-TAA20220AC
MAY 2019 / Page 1 of 7



VINTAGES
TAA20220AC
TAB20220AC

OTIS

SERVICE ENGINEERING
Otis Elevator Company
Bloomfield, Connecticut USA
Unpublished Work—© Otis Elevator Co., 2019

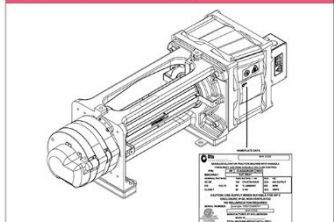
06-AAA20220BE

SPL Title
(OBSOLETE)
Optimized Gen2 4.1T
and 5.0T Machine
ASME Series

Release Date:
04/9/2025

Optimized Gen2 4.1T and 5.0T Machine ASME Series Spare Parts Leaflet
06-AAA20220BE
September 14, 2022 / Page 1 of 5

OBSOLESCENCE NOTICE
The product covered in this SPL has been designated as obsolete and is no longer supported. See IIF 32.2-1, Obsolete Components, for potential upgrade. Replacement lower-level parts listed within and unique to this design will be reviewed for obsolescence.



OTIS

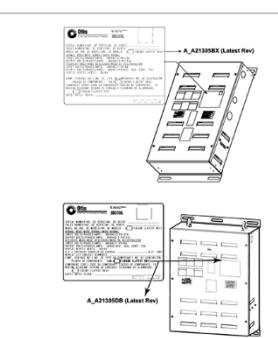
SERVICE ENGINEERING
Otis Elevator Company
Bloomfield, Connecticut USA
Unpublished Work—© Otis Elevator Co., 2022

10-AAA21305BX

SPL Title
GCS Automatic
Recovery Unit (ARU)

Release Date:
12/18/2019

GCS Automatic Recovery Unit (ARU) Spare Parts Leaflet
10-AAA21305BX
December 18, 2019 / Page 1 of 11



OTIS

SERVICE ENGINEERING
Otis Elevator Company
Bloomfield, Connecticut USA
Unpublished Work—© Otis Elevator Co., 2019

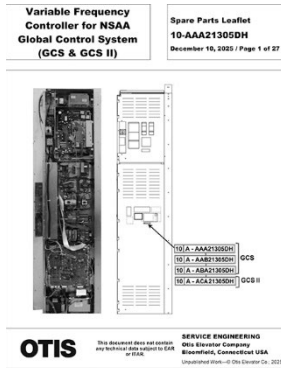
10-AAA21305DH

SPL Title

Variable Frequency Controller for NSAA Global Control System (GCS & GCS II)

Release Date:

10/10/2025



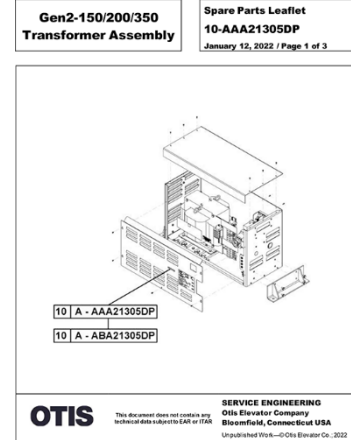
10-AAA21305DP

SPL Title

Gen2 – 150 / 200 / 350 Transformer Assembly

Release Date:

01/12/2022



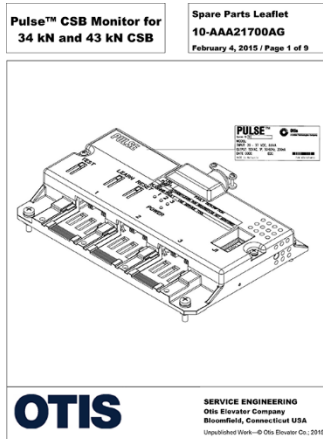
10-AAA21700AG

SPL Title

Pulse CSB Monitor for 34 kN and 43 kN CSB

Release Date:

02/04/2015



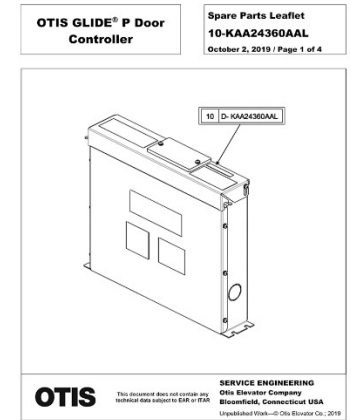
10-KAA24360AAL

SPL Title

OTIS Glide® P Door Controller

Release Date:

10/02/2019



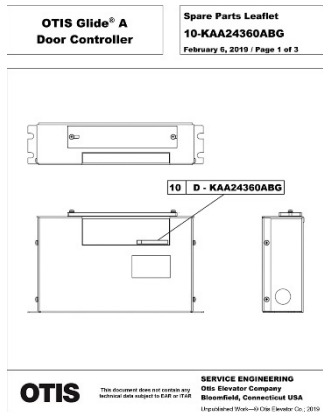
10-KAA24360ABG

SPL Title

OTIS Glide® A Door Controller

Release Date:

02/06/2019



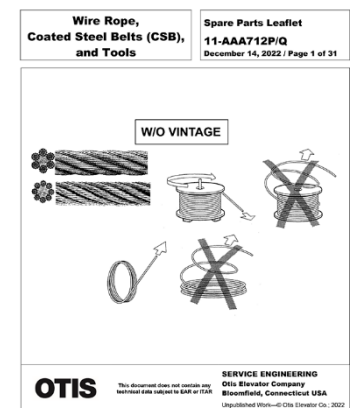
11-AAA712P

SPL Title

Wire Rope, Coated Steel Belts (CSB), and Tools

Release Date:

12/14/2022



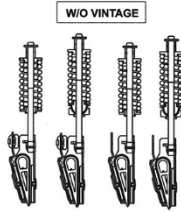
11-AAA20650Y

SPL Title
Termination for Gen2® LCR 43kN CSB (ANSI code)

Release Date:
03/25/2015

Terminations for Gen2® LCR 43kN CSB (ANSI code)

Spare Parts Leaflet 11-AAA20650Y
March 25, 2015 / Page 1 of 4



OTIS

SERVICE ENGINEERING
Otis Elevator Company
Bloomfield, Connecticut USA
Unpublished Work—© Otis Elevator Co., 2015

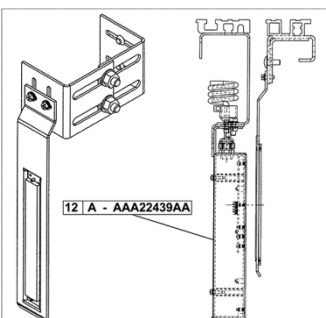
12-AAA22439AA

SPL Title
Position Reference System

Release Date:
06/14/2017

Position Reference System

Spare Parts Leaflet 12-AAA22439AA
June 14, 2017 / Page 1 of 3



OTIS

SERVICE ENGINEERING
Otis Elevator Company
Bloomfield, Connecticut USA
Unpublished Work—© Otis Elevator Co., 2017

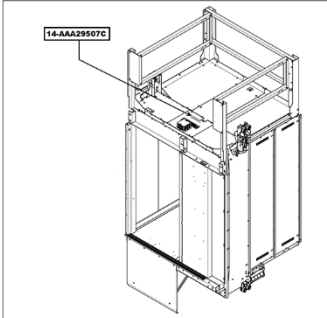
14-AAA29507C

SPL Title
Gen2® Underslung (150) Carframe (2100-3500 lb. Duties)

Release Date:
09/02/2015

Gen2 Underslung (150) Carframe (2100-3500 lb. Duties)

Spare Parts Leaflet 14-AAA29507C
September 2, 2015 / Page 1 of 16



OTIS

SERVICE ENGINEERING
Otis Elevator Company
Bloomfield, Connecticut USA
Unpublished Work—© Otis Elevator Co., 2015

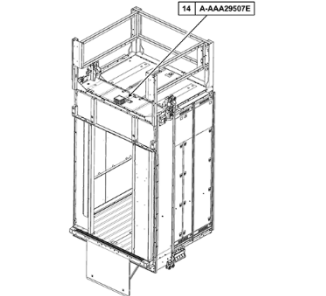
14-AAA29507E

SPL Title
Gen2® Underslung (150/200/350) Car Frame (2100-4000 lb. Duties)

Release Date:
09/02/2015

Gen2® Underslung (150/200/350) Carframe (2100-4000 lb. Duties)

Spare Parts Leaflet 14-AAA29507E
September 2, 2015 / Page 1 of 18



OTIS

SERVICE ENGINEERING
Otis Elevator Company
Bloomfield, Connecticut USA
Unpublished Work—© Otis Elevator Co., 2015

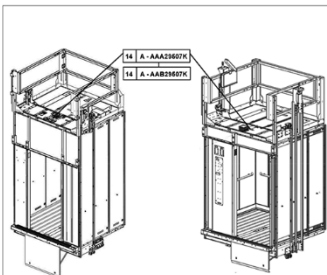
14-AAA29507K

SPL Title
Gen2® Underslung (2100-4000 lb. Duties) and HydroFit® Car Frame (2100-3500 lb. Duties)

Release Date:
05/26/2021

Gen2® Underslung (2100-4000 lb. Duties) and HydroFit® Car Frame (2100-3500 lb. Duties)

Spare Parts Leaflet 14-AAA29507K
May 26, 2021 / Page 1 of 17



OTIS

This document does not contain any technical data subject to EAR or ITAR

SERVICE ENGINEERING
Otis Elevator Company
Bloomfield, Connecticut USA
Unpublished Work—© Otis Elevator Co., 2021

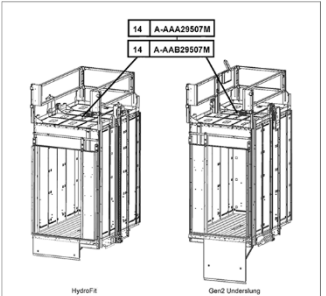
14-AAA29507M

SPL Title
Gen2® Underslung and HydroFit® Service Carframes (4000-5000 lb. Duties)

Release Date:
05/26/2021

Gen2® Underslung & HydroFit® Service Carframes (4000-5000 lb. Duties)

Spare Parts Leaflet 14-AAA29507M
May 26, 2021 / Page 1 of 19



OTIS

This document does not contain any technical data subject to EAR or ITAR

SERVICE ENGINEERING
Otis Elevator Company
Bloomfield, Connecticut USA
Unpublished Work—© Otis Elevator Co., 2021

Gen3™ Edge & Gen2® Underslung

40-AAA29000AN

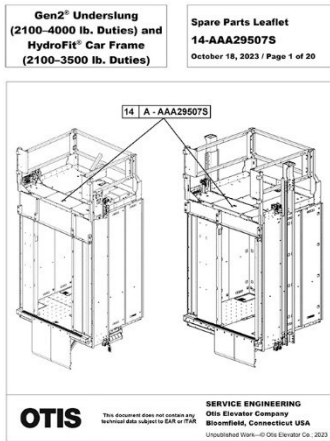
14-AAA29507S

SPL Title

Gen2® Underslung (2100–4000 lb. Duties) and HydroFit® Car Frame (2100–3500 lb. Duties)

Release Date:

10/18/2023



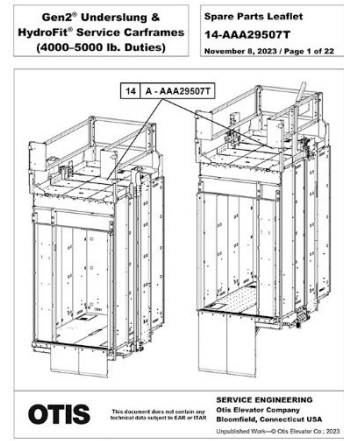
14-AAA29507T

SPL Title

Gen2® Underslung and HydroFit® Service Carframes (4000–5000 lb. Duties)

Release Date:

11/08/2023



14-AAA25400BR

SPL Title

Miscellaneous Top-of-Car Components: Gen2 – 150 / 200 / 350

Release Date:

02/26/2025



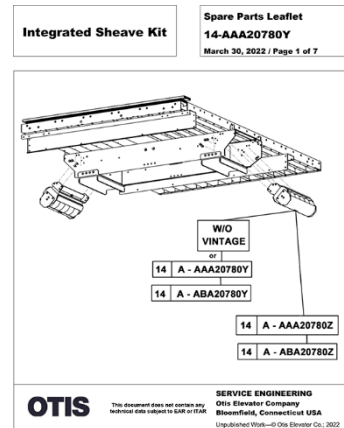
14-AAA20780Y

SPL Title

Integrated Sheave Kit

Release Date:

03/30/2022



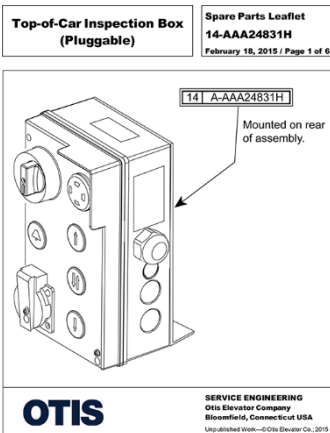
14-AAA24831H

SPL Title

Top-of-Car Inspection Box (Pluggable)

Release Date:

02/18/2015



14-AAA24179F

SPL Title

Gen2L Counterweight Sliding Guides

Release Date:

07/31/2013



14-AAA24180AZ

SPL Title
Roller Guides

Release Date:
02/29/2012

Roller Guides

Spare Parts Leaflet
14-AAA24180AZ
February 29, 2012 / Page 1 of 5

OTIS Safety First! SERVICE ENGINEERING
Otis Elevator Company
Bloomfield, Connecticut USA

14-KAA24120AAJ

SPL Title
PS45A Progressive Safety – ASME A17.1 Applications

Release Date:
01/13/2011

PS45A Progressive Safety – ASME A17.1 Applications

Spare Parts Leaflet
14-KAA24120AAJ
01/13/2011 Page 1 of 3

OTIS Safety First! SERVICE ENGINEERING
Otis Elevator Company
Bloomfield, Connecticut USA

15-TAA20641H

SPL Title
TAA20641H Speed Governor CMG

Release Date:
01/31/2017

TAA20641H Speed Governor CMG

Spare Parts Leaflet
15-TAA20641H
January 2017 / Page 1 of 9

OTIS OTIS ENGINEERING CENTER
Medford
Otis Elevator Company
Unpublished Work—© Otis Elevator Co., 2017

15-TAA20641J

SPL Title
TAA20641J CMG LS

Release Date:
01/01/2017

TAA20641J CMG LS

Spare Parts Leaflet
15-TAA20641J
January 2017 / Page 1 of 13

OTIS This document does not contain any technical data subject to EAR or ITAR. OTIS ENGINEERING CENTER
Medford
Otis Elevator Company
Unpublished Work—© Otis Elevator Co., 2017

15-TAA22700X

SPL Title
Genesis Tension Device

Release Date:
07/01/2010

GENESIS TENSION DEVICE

Spare Parts Leaflet
15-TAA22700X
July, 2010 / Page 1 of 3

OTIS Safety First! OTIS Engineering Center
Medford
Otis Elevator Company

15-AAA29513F

SPL Title
Governor Rope Tension Device

Release Date:
07/08/2020

Governor Rope Tension Device

Spare Parts Leaflet
15-AAA29513F
July 8, 2020 / Page 1 of 3

OTIS This document does not contain any technical data subject to EAR or ITAR. SERVICE ENGINEERING
Otis Elevator Company
Bloomfield, Connecticut USA
Unpublished Work—© Otis Elevator Co., 2020

Gen3™ Edge & Gen2® Underslung

40-AAA29000AN

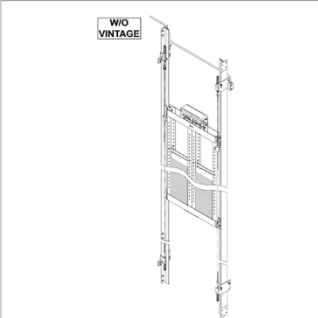
16-AAA22000AAH

SPL Title
Counterweight Displacement Detector Gen2® Low Rise

Release Date:
07/25/2009

Counterweight Displacement Detector Gen2® Low Rise

Spare Parts Leaflet
16-AAA22000AAH
July 25, 2009 / Page 1 of 3



W/O VINTAGE

Unpublished Work—© Otis Elevator Co., 2009

OTIS Safety First! SERVICE ENGINEERING
Otis Elevator Company
Bloomfield, Connecticut USA

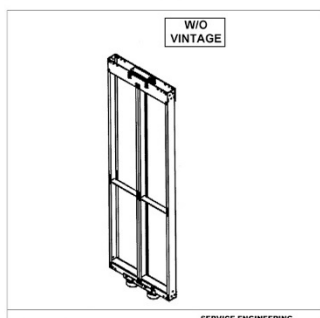
16-AAA25700AG

SPL Title
Counterweight Assembly 2100, 2500, 3000, and 3500 Duty

Release Date:
04/26/2023

Counterweight Assembly 2100, 2500, 3000, and 3500 Duty

Spare Parts Leaflet
16-AAA25700AG
April 26, 2023 / Page 1 of 5



W/O VINTAGE

Unpublished Work—© Otis Elevator Co., 2009

OTIS This document does not contain any technical data subject to EAR or ITAR. SERVICE ENGINEERING
Otis Elevator Company
Bloomfield, Connecticut USA


16-AAA25700AM

SPL Title
Counterweight Assembly 2100, 2500, 3000, 3500, 4000, 4500, 5000 Duty

Release Date:
06/17/2020

Counterweight Assembly 2100, 2500, 3000, 3500, 4000, 4500, 5000 Duty

Spare Parts Leaflet
16-AAA25700AM
June 17, 2020 / Page 1 of 5



16 | H - AAA25700AM

Unpublished Work—© Otis Elevator Co., 2020

OTIS This document does not contain any technical data subject to EAR or ITAR. SERVICE ENGINEERING
Otis Elevator Company
Bloomfield, Connecticut USA

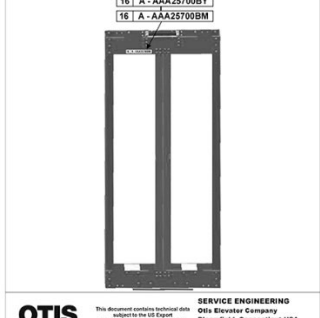
16-AAA25700BM

SPL Title
Counterweight Assembly 2100, 2500, 3000, 3500, 4000, 4500, 5000 Duty

Release Date:
07/2/2025

Counterweight Assembly 2100, 2500, 3000, 3500, 4000, 4500, 5000 Duty

Spare Parts Leaflet
16-AAA25700BM
July 2, 2025 / Page 1 of 9



16 | A - AAA25700BY
16 | A - AAA25700BM

Unpublished Work—© Otis Elevator Co., 2025

OTIS This document contains technical data subject to the US Export Administration Regulations, EAR. SERVICE ENGINEERING
Otis Elevator Company
Bloomfield, Connecticut USA

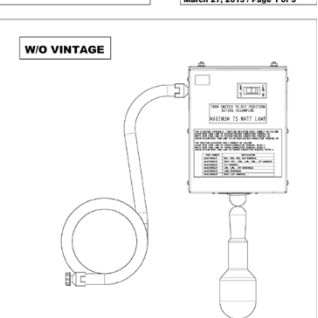
17-AAA25580BJ

SPL Title
Auxiliary Work Light Assembly

Release Date:
03/27/2013

Auxiliary Work Light Assembly

Spare Parts Leaflet
17-AAA25580BJ
March 27, 2013 / Page 1 of 5



W/O VINTAGE

Unpublished Work—© Otis Elevator Co., 2013

OTIS Safety First! SERVICE ENGINEERING
Otis Elevator Company
Bloomfield, Connecticut USA

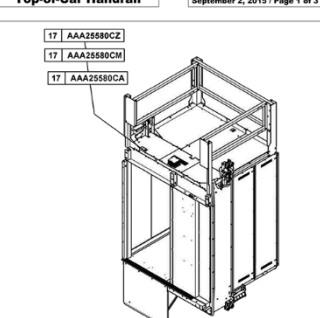
17-AAA25580CA

SPL Title
Gen2 Underslung & HydroFit® Top-of-Car Handrail

Release Date:
09/02/2015

Gen2 Underslung & HydroFit® Top-of-Car Handrail

Spare Parts Leaflet
17-AAA25580CA
September 2, 2015 / Page 1 of 3



17 | AAA25580CZ
17 | AAA25580CM
17 | AAA25580CA

Unpublished Work—© Otis Elevator Co., 2015

OTIS SERVICE ENGINEERING
Otis Elevator Company
Bloomfield, Connecticut USA

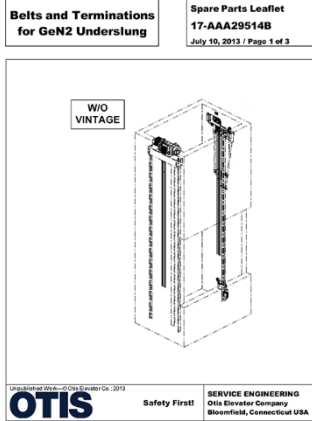
17-AAA29514B

SPL Title

Belts and Terminations for Gen2 Underslung

Release Date:

07/10/2013



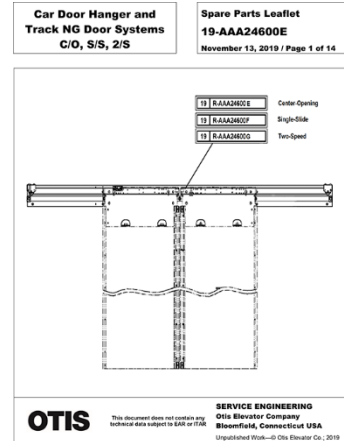
19-AAA24600E

SPL Title

Car Door Hanger and Track NG Door Systems C/O, S/S, 2/S

Release Date:

11/13/2019



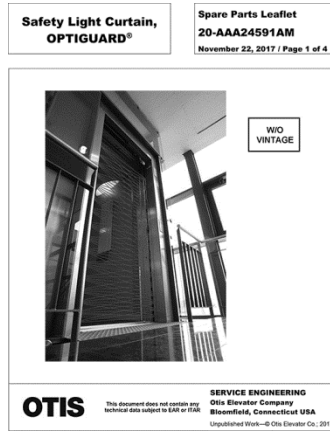
20-AAA24591AM

SPL Title

Safety Light Curtain OPTIGUARD®

Release Date:

11/22/2017



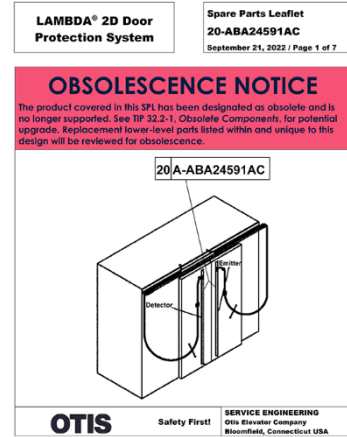
20-ABA24591AC

SPL Title

(OBSOLETE) LAMBDA® 2D Door Protection System

Release Date:

09/17/2025



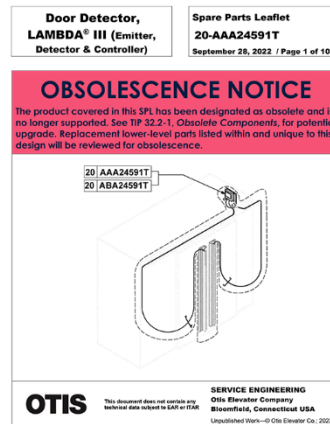
20-AAA24591T

SPL Title

(OBSOLETE) Door Detector, LAMBDA® III (Emitter, Detector & Controller)

Release Date:

09/17/2025



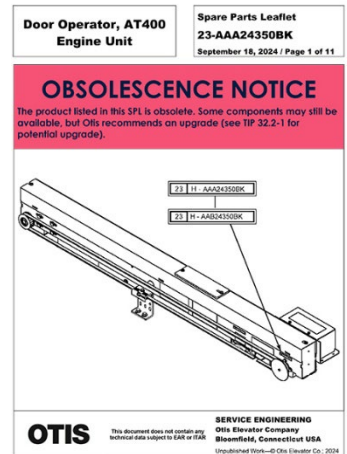
23-AAA24350BK

SPL Title

(OBSOLETE) Door Operator, AT400 Engine Unit

Release Date:

09/18/2024



Gen3™ Edge & Gen2® Underslung

40-AAA29000AN

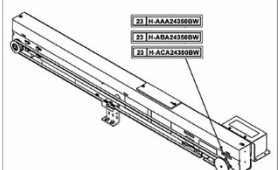
23-AAA24350BW

SPL Title
(OBSOLETE) Door Operator AT400 Engine Unit

Release Date:
09/18/2024

Door Operator AT400 Engine Unit	Spare Parts Leaflet 23-AAA24350BW September 18, 2024 / Page 1 of 12
------------------------------------	---

OBSOLESCENCE NOTICE
The product listed in this SPL is obsolete. Some components may still be available, but OES recommends an upgrade (see 1P 32.2-1 for potential upgrade).



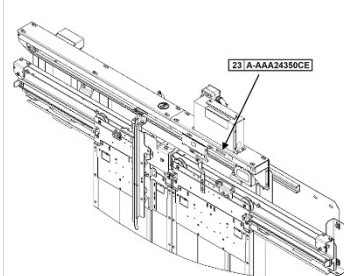
OTIS
Service Engineering
Otis Elevator Company
Bloomfield, Connecticut USA
Unpublished Work—© Otis Elevator Co., 2024

23-AAA24350CE

SPL Title
Otis Glide® A & S Door Operator Systems

Release Date:
12/18/2019

Otis Glide® A & S Door Operator Systems	Spare Parts Leaflet 23-AAA24350CE December 18, 2019 / Page 1 of 10
---	--



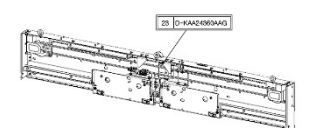
OTIS
Service Engineering
Otis Elevator Company
Bloomfield, Connecticut USA
Unpublished Work—© Otis Elevator Co., 2019

23-KAA24360AAG

SPL Title
Door Operator, Center-Opening, 2-Motor, 2-Coupler GLIDE® P System

Release Date:
04/23/2014

Door Operator, Center-Opening, 2-Motor, 2-Coupler GLIDE® P System	Spare Parts Leaflet 23-KAA24360AAG April 23, 2014 / Page 1 of 15
---	--



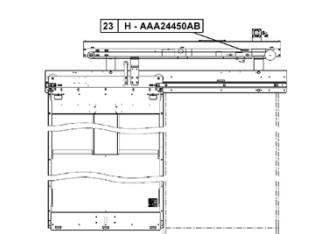
OTIS
Service Engineering
Otis Elevator Company
Bloomfield, Connecticut USA
Safety First! Unpublished Work—© Otis Elevator Co., 2014

23-AAA24450AB

SPL Title
AT400 Door Operator, Single-Slide, Two-Speed, and Center-Opening

Release Date:
11/20/2019

AT400 Door Operator Single-Slide, Two-Speed, and Center-Opening	Spare Parts Leaflet 23-AAA24450AB November 20, 2019 / Page 1 of 4
---	---



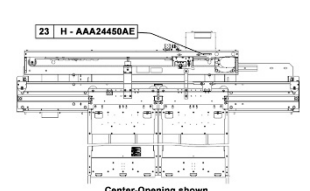
OTIS
Service Engineering
Otis Elevator Company
Bloomfield, Connecticut USA
Unpublished Work—© Otis Elevator Co., 2019

23-AAA24450AE

SPL Title
Otis Glide® A and S Door Operator C/O, S/S, and 2/S

Release Date:
01/26/2022

Otis Glide® A and S Door Operator C/O, S/S, and 2/S	Spare Parts Leaflet 23-AAA24450AE January 26, 2022 / Page 1 of 7
---	--



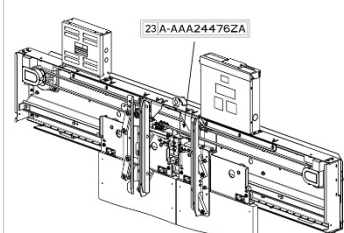
OTIS
Service Engineering
Otis Elevator Company
Bloomfield, Connecticut USA
Unpublished Work—© Otis Elevator Co., 2022

23-AAA24476ZA

SPL Title
Otis Glide® P Door Operator System, Center-Opening

Release Date:
11/20/2019

Otis Glide® P Door Operator System Center-Opening	Spare Parts Leaflet 23-AAA24476ZA November 20, 2019 / Page 1 of 11
---	--



OTIS
Service Engineering
Otis Elevator Company
Bloomfield, Connecticut USA
Unpublished Work—© Otis Elevator Co., 2019

24-AAA24390N

SPL Title
Door Coupler, NG Car Door System

Release Date:
01/26/2022

Door Coupler, NG Car Door System

Spare Parts Leaflet
24-AAA24390N
January 26, 2022 / Page 1 of 10

OTIS SERVICE ENGINEERING
Otis Elevator Company
Bloomfield, Connecticut USA
Unpublished Work—© Otis Elevator Co., 2022

24-KAA24392AAQ

SPL Title
Coupler Arrangement
Center Opening, 2
Coupler and 1 Coupler
Glide P/E System

Release Date:
11/09/2018

**Coupler Arrangement
Center Opening,
2 Coupler and 1 Coupler
GLIDE™ P System**

Spare Parts Leaflet
24-KAA24392AAQ
November 9, 2018 / Page 1 of 10

OTIS SERVICE ENGINEERING
Safety First! Otis Elevator Company
Bloomfield, Connecticut USA

25-AAA23101P

SPL Title
NG Hoistway Door System: Center-Opening w/ Single Lock, Single-Slide, and Two-Speed

Release Date:
1/8/2025

NG Hoistway Door System: Center-Opening w/Single & Double Lock, Single-Slide, and Two-Speed

Spare Parts Leaflet
25-AAA23101P
January 8, 2025 / Page 1 of 26

OTIS SERVICE ENGINEERING
Otis Elevator Company
Bloomfield, Connecticut USA
Unpublished Work—© Otis Elevator Co., 2025

26-AAA23402M

SPL Title
Door Weight Closer

Release Date:
04/24/2024

Door Weight Closer

Spare Parts Leaflet
26-AAA23402M
April 24, 2024 / Page 1 of 4

OTIS SERVICE ENGINEERING
Otis Elevator Company
Bloomfield, Connecticut USA
Unpublished Work—© Otis Elevator Co., 2024

27-A6471A

SPL Title
Emergency Key Box

Release Date:
11/22/2023

Emergency Key Box

Spare Parts Leaflet
27-A6471A
November 22, 2023 / Page 1 of 3

OTIS SERVICE ENGINEERING
Otis Elevator Company
Bloomfield, Connecticut USA
Unpublished Work—© Otis Elevator Co., 2023

27-AAA23400AD

SPL Title
Interlock Assembly:
AG Interlock

Release Date:
07/30/2025

**Interlock Assembly:
AG Interlock**

Spare Parts Leaflet
27-AAA23400AD
July 30, 2025 / Page 1 of 8

OTIS SERVICE ENGINEERING
Otis Elevator Company
Bloomfield, Connecticut USA
Unpublished Work—© Otis Elevator Co., 2025

27-AAA23400S

SPL Title
Interlock Assembly
NG Door System

Release Date:
03/16/2022

Interlock Assembly
NG Door System

Spare Parts Leaflet
27-AAA23400S
March 16, 2022 / Page 1 of 9

Center-Opening
NG Door Shown

OTIS This document does not contain any technical data subject to EAR or ITAR

SERVICE ENGINEERING
Otis Elevator Company
Bloomfield, Connecticut USA
Unpublished Work—© Otis Elevator Co., 2022

27-AAA23400X

SPL Title
Unlocking Device
Assembly

Release Date:
9/17/2025

Unlocking Device
Assembly

Spare Parts Leaflet
27-AAA23400X
September 17, 2025 / Page 1 of 7

OTIS This document does not contain any technical data subject to EAR or ITAR

SERVICE ENGINEERING
Otis Elevator Company
Bloomfield, Connecticut USA
Unpublished Work—© Otis Elevator Co., 2025

27-AAA26900D

SPL Title
Contact Switch and
Lock, Emergency Door
(For Blind Hoistway)

Release Date:
11/27/2019

Contact Switch and
Lock, Emergency Door
(for Blind Hoistway)

Spare Parts Leaflet
27-AAA26900D
November 27, 2019 / Page 1 of 4

Left Hand Opening
(view from landing)

Left Hand Opening
(view from hoistway)

OTIS This document does not contain any technical data subject to EAR or ITAR

SERVICE ENGINEERING
Otis Elevator Company
Bloomfield, Connecticut USA
Unpublished Work—© Otis Elevator Co., 2019

31-AAA102VB

SPL Title
Instruction Plates

Release Date:
10/19/2022

Instruction Plates

Spare Parts Leaflet
31-AAA102VB
October 19, 2022 / Page 1 of 20

W/O VINTAGE

OTIS This document does not contain any technical data subject to EAR or ITAR

SERVICE ENGINEERING
Otis Elevator Company
Bloomfield, Connecticut USA
Unpublished Work—© Otis Elevator Co., 2022

31-AAA250G

SPL Title
Metal Graphic
Inserts: AAA250G,
AAA250K, AAA250M

Release Date:
2/19/2025

Metal Graphic Inserts:
AAA250G, AAA250K,
AAA250M

Spare Parts Leaflet
31-AAA250G
February 19, 2025 / Page 1 of 10

W/O VINTAGE

* All Markings Are White Unless Otherwise Noted
All Braille to English Unless Otherwise Noted

TYPE AAA250G, G4

TYPE AAA250K, G3

TYPE AAA250M, G1

TYPE AAA250H, G1

OTIS This document does not contain any technical data subject to EAR or ITAR

SERVICE ENGINEERING
Otis Elevator Company
Bloomfield, Connecticut USA
Unpublished Work—© Otis Elevator Co., 2025

31-AAA250Q

SPL Title
Plastic Graphic
Inserts: AAA250Q,
AAA250R, AAA250S,
and AAA250V

Release Date:
02/22/2023

Plastic Graphic Inserts:
AAA250Q, AAA250R,
AAA250S, and AAA250V

Spare Parts Leaflet
31-AAA250Q
February 22, 2023 / Page 1 of 9

W/O VINTAGE

OTIS This document does not contain any technical data subject to EAR or ITAR

SERVICE ENGINEERING
Otis Elevator Company
Bloomfield, Connecticut USA
Unpublished Work—© Otis Elevator Co., 2023

32-AAA102AMS

SPL Title
Handicap Plate (ASME A17.1)

Release Date:
1/29/2025

Handicap Plate (ASME A17.1)

Spare Parts Leaflet
32-AAA102AMS
January 29, 2025 / Page 1 of 6

OTIS This document does not contain any technical data subject to EAR or ITAR.

SERVICE ENGINEERING
Otis Elevator Company
Bloomfield, Connecticut USA
Unpublished Work—© Otis Elevator Co., 2025

32-AAA102ASA

SPL Title
Elevator Number Plate

Release Date:
12/11/2024

Elevator Number Plate

Spare Parts Leaflet
32-AAA102ASA
December 11, 2024 / Page 1 of 3

OTIS This document does not contain any technical data subject to EAR or ITAR.

SERVICE ENGINEERING
Otis Elevator Company
Bloomfield, Connecticut USA
Unpublished Work—© Otis Elevator Co., 2024

32-AAA23500CH

SPL Title
Pushbutton, Luxury Micro-Motion III

Release Date:
10/29/2025

Pushbutton, Luxury Micro-Motion III

Spare Parts Leaflet
32-AAA23500CH
October 29, 2025 / Page 1 of 11

OTIS This document does not contain any technical data subject to EAR or ITAR.

SERVICE ENGINEERING
Otis Elevator Company
Bloomfield, Connecticut USA
Unpublished Work—© Otis Elevator Co., 2025

32-AAA23851A

SPL Title
Keyswitch Series 5

Release Date:
06/14/2023

Keyswitch Series 5

Spare Parts Leaflet
32-AAA23851A
June 14, 2023 / Page 1 of 31

OTIS This document does not contain any technical data subject to EAR or ITAR.

SERVICE ENGINEERING
Otis Elevator Company
Bloomfield, Connecticut USA
Unpublished Work—© Otis Elevator Co., 2023

32-AAA23852C

SPL Title
Landing Fixture

Release Date:
05/08/2024

Landing Fixture

Spare Parts Leaflet
32-AAA23852C
May 8, 2024 / Page 1 of 9

OTIS This document contains technical data subject to EAR, ECCN/EARM.

SERVICE ENGINEERING
Otis Elevator Company
Bloomfield, Connecticut USA
Unpublished Work—© Otis Elevator Co., 2024

32-AAA23852E

SPL Title
Hall Arrangement Overflow Fixture

Release Date:
09/18/2013

Hall Arrangement Overflow Fixture

Spare Parts Leaflet
32-AAA23852E
September 18, 2013 / Page 1 of 4

OTIS Safety First!

SERVICE ENGINEERING
Otis Elevator Company
Bloomfield, Connecticut USA

33-6463T

SPL Title
Fixture, Advanced & Modular, In-Car Lantern

Release Date:
04/19/2023

Fixture, Advanced & Modular, In-Car Lantern

Spare Parts Leaflet
33-6463T
April 19, 2023 / Page 1 of 10

The In-Car lantern is mounted in the door jamb adjacent to the car operating panel.

OTIS This document does not contain any technical data subject to EAR or ITAR.

SERVICE ENGINEERING
Otis Elevator Company
Bloomfield, Connecticut USA
Unpublished Work—© Otis Elevator Co., 2023

34-AAA23600AJ

SPL Title
HPI Display Assembly

Release Date:
02/20/2019

HPI Display Assembly

Spare Parts Leaflet
34-AAA23600AJ
February 20, 2019 / Page 1 of 3

OTIS This document does not contain any technical data subject to EAR or ITAR.

SERVICE ENGINEERING
Otis Elevator Company
Bloomfield, Connecticut USA
Unpublished Work—© Otis Elevator Co., 2019

35-AAA22800AG

SPL Title
Float Switch Assembly Flood

Release Date:
03/01/2017

Float Switch Assembly Flood

Spare Parts Leaflet
35-AAA22800AG
March 1, 2017 / Page 1 of 3

OTIS This document does not contain any technical data subject to EAR or ITAR.

SERVICE ENGINEERING
Otis Elevator Company
Bloomfield, Connecticut USA
Unpublished Work—© Otis Elevator Co., 2017

35-AAA22800H

SPL Title
Emergency Stop Switch

Release Date:
03/03/2021

Emergency Stop Switch

Spare Parts Leaflet
35-AAA22800H
March 3, 2021 / Page 1 of 3

OTIS This document does not contain any technical data subject to EAR or ITAR.

SERVICE ENGINEERING
Otis Elevator Company
Bloomfield, Connecticut USA
Unpublished Work—© Otis Elevator Co., 2021

38-AAA174ANT

SPL Title
Cable, Electrical Flat Traveling Cable

Release Date:
11/08/2023

Cable, Electrical Flat Traveling Cable

Spare Parts Leaflet
38-AAA174ANT
November 8, 2023 / Page 1 of 9

OTIS This document does not contain technical data controlled by the EAR or ITAR.

SERVICE ENGINEERING
Otis Elevator Company
Bloomfield, Connecticut USA
Unpublished Work—© Otis Elevator Co., 2023

38-AAA22940BA

SPL Title
Anti-Snag Guard for Car Rail Bracket

Release Date:
11/09/2011

Anti-Snag Guard for Car Rail Bracket

Spare Parts Leaflet
38-AAA22940BA
November 9, 2011 / Page 1 of 4

OTIS Safety First! This document does not contain any technical data subject to EAR or ITAR.

SERVICE ENGINEERING
Otis Elevator Company
Bloomfield, Connecticut USA


38-AAA25500BD

SPL Title
Flat Traveling Cable
and Related Parts

Release Date:
05/24/2017

**Flat Traveling Cable
and Related Parts**

**Spare Parts Leaflet
38-AAA25500BD
May 24, 2017 / Page 1 of 4**



**W/O
VINTAGE**

OTIS Service Engineering
This document does not contain any technical
data subject to EAR or ITAR
Otis Elevator Company
Bloomfield, Connecticut USA
Unpublished Work—© Otis Elevator Co., 2017

