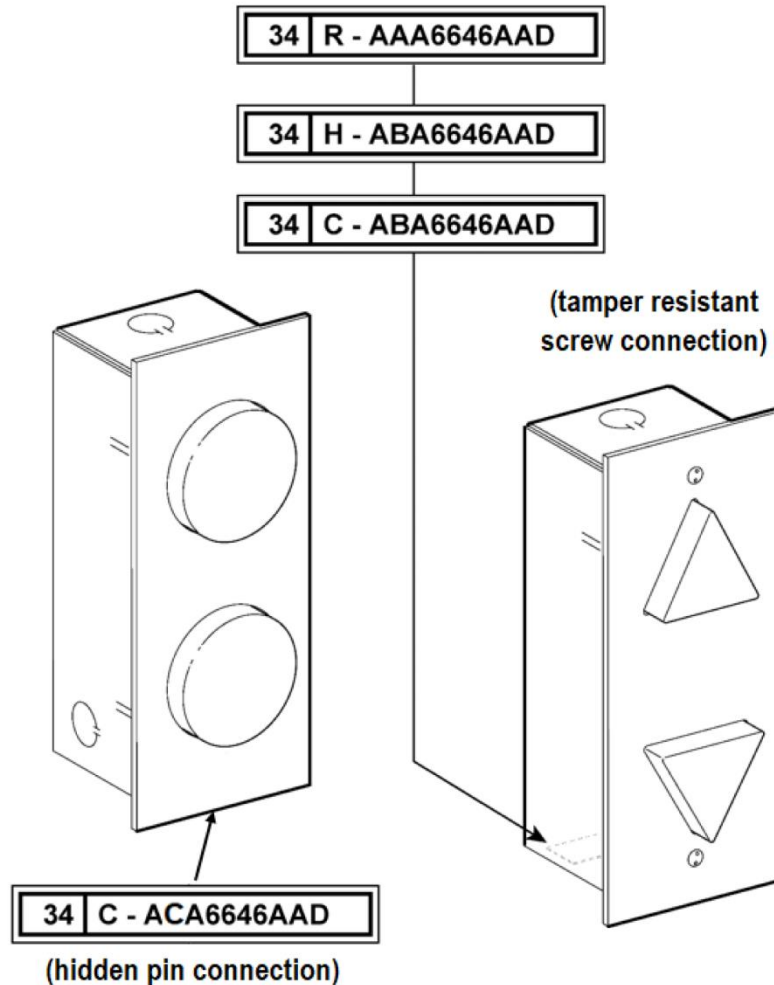


Hall Lantern with Faceplate

Spare Parts Leaflet

34-AAA6646AAD

February 22, 2023 / Page 1 of 8



**ABA(AAA)6646AAD Assemblies are replaced by ACA6646AAD
and not available.**

**For ACA6646AAD replacement parts listing and details,
see SPL 34-ACA6646AAD.**

OTIS

This document does not contain any
technical data subject to EAR or ITAR

SERVICE ENGINEERING
Otis Elevator Company
Bloomfield, Connecticut USA

Unpublished Work—© Otis Elevator Co.; 2023

Leaflet Description

The leaflet identifies the lowest replaceable parts for type AAA6646AAD lantern with incandescent lamps and type ABA6646AAD lantern with LEDs.

Leaflet Revisions

Date Revised	Subject Matter Expert	Reason for Revision
February 1990	Jeffrey S. Costley	New SPL
November 14, 2005	Joseph Zych	Update to current layout and add the light emitting diode (LED) version of the lantern assemblies.
July 18, 2006	Joseph Zych	Corrected parts descriptions in ref. 3, p. 3; Updated illustration on p. 3.
August 11, 2009	Joseph Zych	Reversed pictures of horizontal faceplates p.7 to correct.
October 26, 2011	Jeffrey Holmes	Added 443BK3, 443BK5, and ABA26800ASR2
June 27, 2018	Oliver Cai	Added p/n ABA26800ASR2 in ref. 5 on p. 4
February 22, 2023	Vadzim Fedarenka	Updated cover and history pages; Added new p. 3; Added Note on p. 5

Related Drawings

Drawing No.	Title	Drawing No.	Title
AAA6646AAD	Hall Lantern	ABA6646AAD	Assemblies and Arrangements Hall Lantern (LED)
ACA6646AAD	Assemblies and Arrangements Hall Lantern (LED)		

Related Documents

Document ID	Title
TIP 4.1.3-7	<i>LED-Based PCBs Replace 424D2 and 424D5 Incandescent Lamps on 30 VDC Hall Lanterns</i>
TIP 4.0-40	<i>New OSC RSL/CAN Fixture Boards</i>

Subject Matter Expert

Name	Department
Vadzim Fedarenka	OSC Service Engineering

About Spare Parts Leaflets...

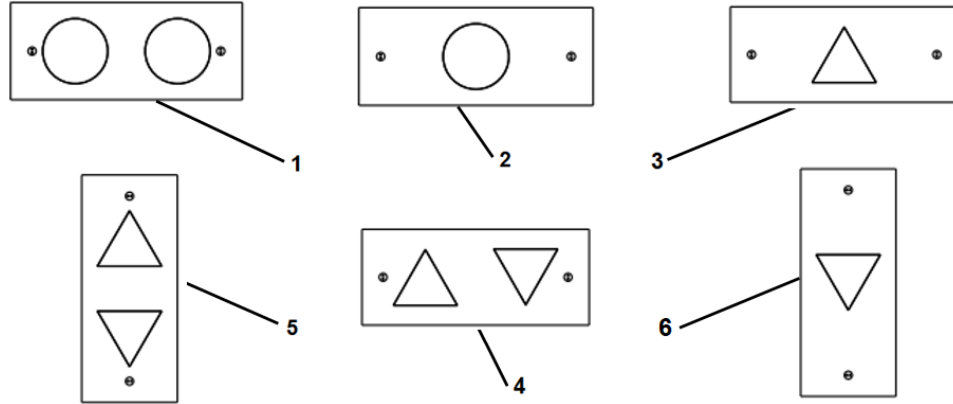
This document lists the lowest replaceable units (LRUs) for the standard version of the product. The LRUs are chosen by a team of Dover associates representing engineering and manufacturing.

While goal of this document is to make parts identification as easy as possible, the document cannot be all-inclusive. Elevator and escalator contracts classified as “special” or “custom” are not addressed here. For such contracts, please refer to specified information, the contract folder, TIPs, Field Education Articles, Construction Letters, etc. for further information.

If you have any suggestions about this document, please contact the subject matter expert listed on this page.

Hall Lantern with Faceplates

34-AAA6646AAD

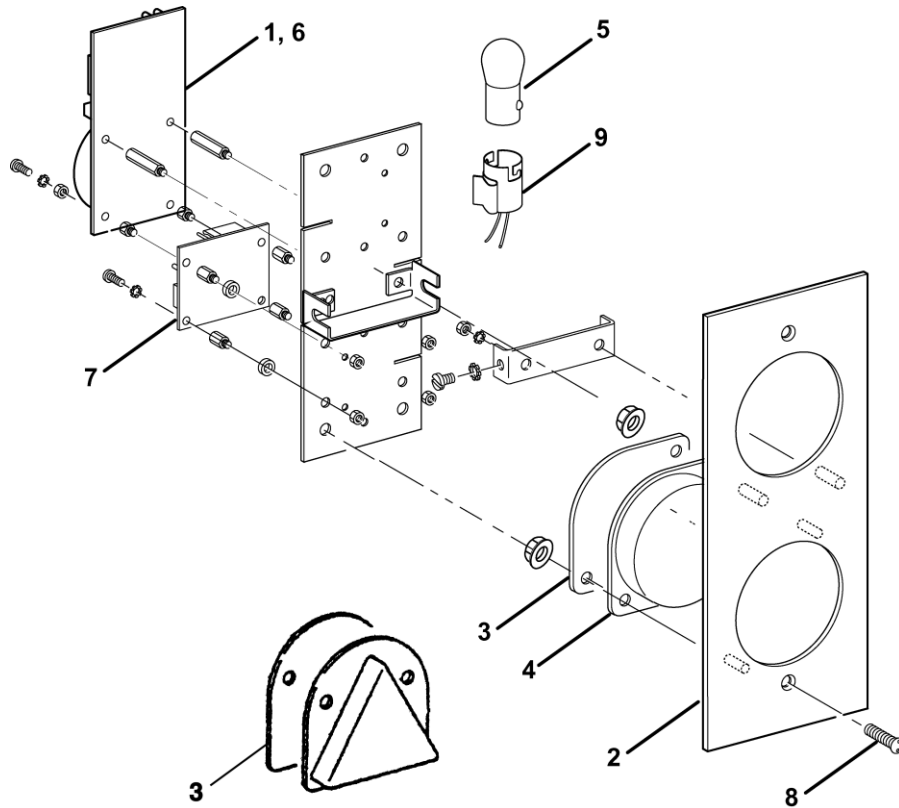



**AAA6646AAD
ABA6646AAD
ACA6646AAD**

REF. No.	PART No.	DESCRIPTION
1	AAA6646AAD1	Hall Lantern w/ Faceplate, Vertical/Horizontal, Terminal/Intermediate, Round Lenses, Red & White Illumination
	ABA6646AAD1	
	ABA6646AAD16	
	ACA6646AAD1- - _	
2	AAA6646AAD2	Hall Lantern w/ Faceplate, Vertical/Horizontal, Terminal, Round Lens, White Illumination
	ABA6646AAD2	
	AAA6646AAD3	Hall Lantern w/ Faceplate, Vertical/Horizontal, Terminal, Round Lens, Red Illumination
	ABA6646AAD3	
	ABA6646AAD17	
ACA6646AAD2- - _	Hall Lantern w/ Faceplate, Vertical/Horizontal, Terminal/Intermediate, Round Lens, Red-Green-Blue-White (selectable) Illumination	
3	AAA6646AAD8	Hall Lantern w/ Faceplate, Horizontal, Terminal, Triangle Lens, White Illumination
	ABA6646AAD8	
	AAA6646AAD9	Hall Lantern w/ Faceplate, Horizontal, Terminal, Triangle Lens, Red Illumination
	ABA6646AAD9	
	ABA6646AAD24	
ACA6646AAD6- - _	Hall Lantern w/ Faceplate, Horizontal, Terminal, Triangle Lens, Red-Green-Blue-White (selectable) Illumination	
4	AAA6646AAD7	Hall Lantern w/ Faceplate, Horizontal, Intermediate, Triangle Lenses, Red & White Illumination
	ABA6646AAD7	
	ABA6646AAD20	Hall Lantern w/ Faceplate, Horizontal, Intermediate, Triangle Lenses, Red-Green-Blue-White (selectable) Illumination
	ACA6646AAD5- - _	
5	AAA6646AAD4	Hall Lantern w/ Faceplate, Vertical, Intermediate, Triangle Lenses, Red & White Illumination
	ABA6646AAD4	
	ABA6646AAD18	Hall Lantern w/ Faceplate, Vertical, Intermediate, Triangle Lenses, Red-Green-Blue-White (selectable) Illumination
	ACA6646AAD3- - _	
6	AAA6646AAD5	Hall Lantern w/ Faceplate, Vertical, Terminal, Triangle Lens, White Illumination
	ABA6646AAD5	
	AAA6646AAD6	Hall Lantern w/ Faceplate, Vertical, Terminal, Triangle Lens, Red Illumination
	ABA6646AAD6	
	ABA6646AAD19	Hall Lantern w/ Faceplate, Vertical, Terminal, Triangle Lens, Red-Green-Blue-White (selectable) Illumination
ACA6646AAD4- - _		

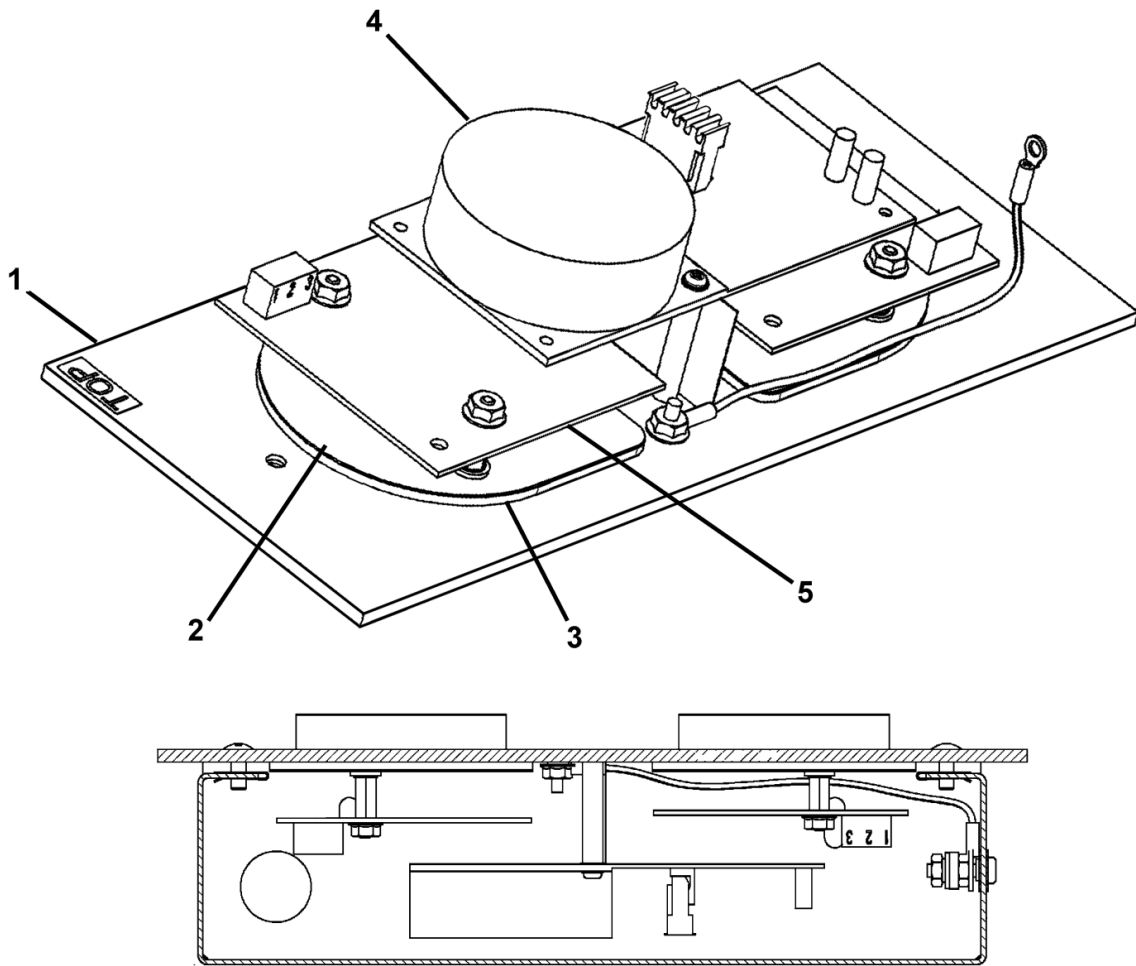
Hall Lantern with Incandescent Lamps

34-AAA6646AAD



AAA6646AAD		
REF. No.	PART No.	DESCRIPTION
1	AAA08200AAA004	Assembly, Gong PC Board with Remote Station 4 and with Hall Lantern/Buffer Board Cable
2	---	Faceplate,  pp. 6-8
3	443BK1	Glass (diffuser), Red (for triangular fixtures)
	443BK2	Glass (diffuser), Red (for round fixtures)
	443BK3	Glass (diffuser), White (for triangular fixtures)
	443BK5	Glass (diffuser), White (for round fixtures)
4	449BA1	Glass (lens), Round
	A449AS1	Glass (lens), Triangular
5	424D5	Lamp, Incandescent, 35 V, 0.61 A (size: S-8)
6	GCA23550B1	PC Board, Gong with Remote Station 4
7	C8121BB1	PC Board, Lantern Power Buffer
8	124DK2	Screw, Tamper Resistant, Brass, Brushed Finish
	124DK14	Screw, Tamper Resistant, Brass, Mirror Finish
	124DK1	Screw, Tamper Resistant, Stainless Steel, Brushed Finish
	124DK13	Screw, Tamper Resistant, Stainless Steel, Mirror Finish
9	467AX1	Socket, Lamp

NOTE: Refer to TIP 4.1.3-7 to retrofit incandescent fixture to LED fixture.

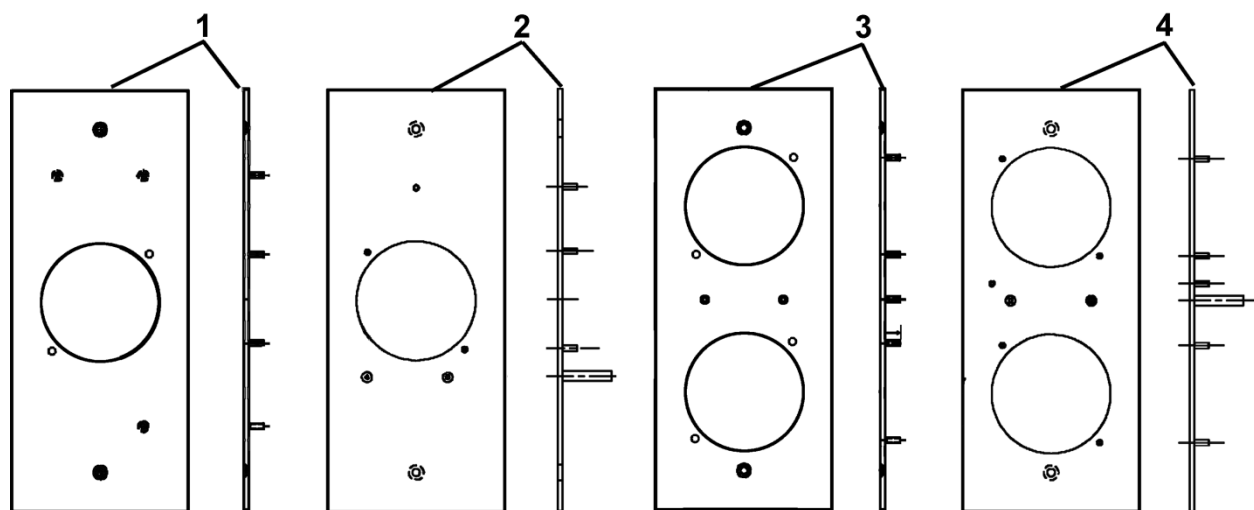


ABA6646AAD		
REF. No.	PART No.	DESCRIPTION
1	---	Faceplate, Types AAA147RW and AAA147RX, pp. 6-8
2	443BK3	Glass (diffuser), Red (for triangular fixtures only)
3	449BA1	Glass (lens), Round
3	A449AS1	Glass (lens), Triangular
4	GCA23550B1	PC Board, Gong with Remote Station 4, See NOTE
5	AAA26800AJW2	PC Board, LED, Green Light
5	AAA26800AJW1	PC Board, LED, Red Light
5	AAA26800AJW3	PC Board, LED, White Light
5	ABA26800ASR2 ACA26800ASR2	PC Board, LED, Select-A-Color (Red, Green, Blue, White), See NOTE
6	124DK2	Screw, Tamper Resistant, Brass, Brushed Finish
6	124DK14	Screw, Tamper Resistant, Brass, Mirror Finish
6	124DK1	Screw, Tamper Resistant, Stainless Steel, Brushed Finish
6	124DK13	Screw, Tamper Resistant, Stainless Steel, Mirror Finish

NOTE: The parts are available until stock is depleted. Once depleted, order p/n AAA26800BCD1 (dual LED) or p/n AAA26800BCM1 (single LED) PCB and p/n AAA174YL24 cable. See TIP 4.0-40 for replacement.

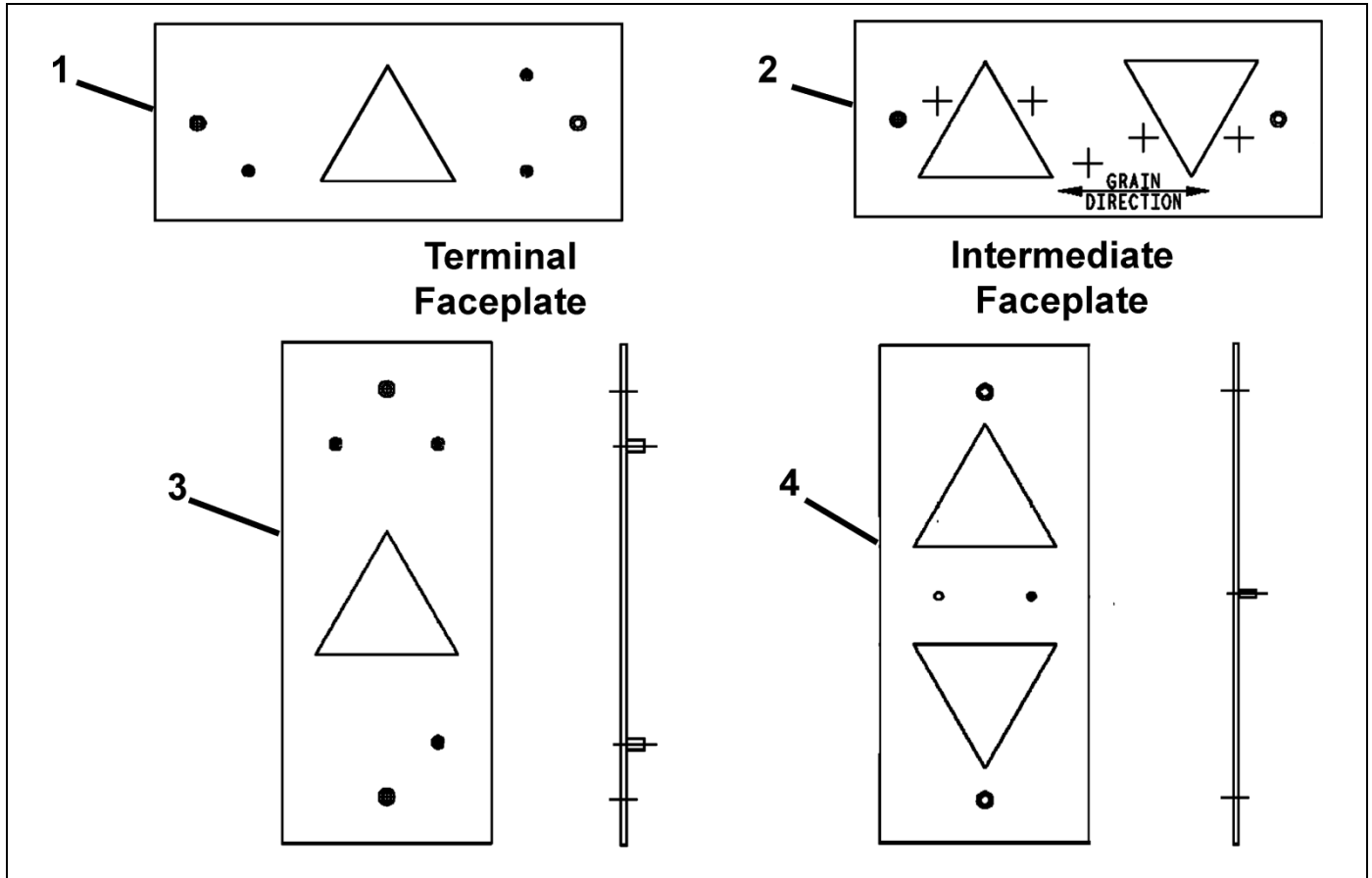
Faceplates With Round Fixtures

34-AAA6646AAD



AAA6646AAD		ABA6646AAD
PART No.		DESCRIPTION
REF. No. 1	REF. No. 2	Faceplates, Terminal Landings:
147LT6	AAA147RW6	Brass Brushed Finish
147LT10	AAA147RW10	Brass Mirror Finish
147LT4	AAA147RW4	Stainless Steel, Brushed Finish
147LT8	AAA147RW8	Stainless Steel, Mirror Finish
REF. No. 3	REF. No. 4	Faceplates, Intermediate Landings:
147LT5	AAA147RW5	Brass Brushed Finish
147LT9	AAA147RW9	Brass Mirror Finish
147LT3	AAA147RW3	Stainless Steel, Brushed Finish
147LT7	AAA147RW7	Stainless Steel, Mirror Finish

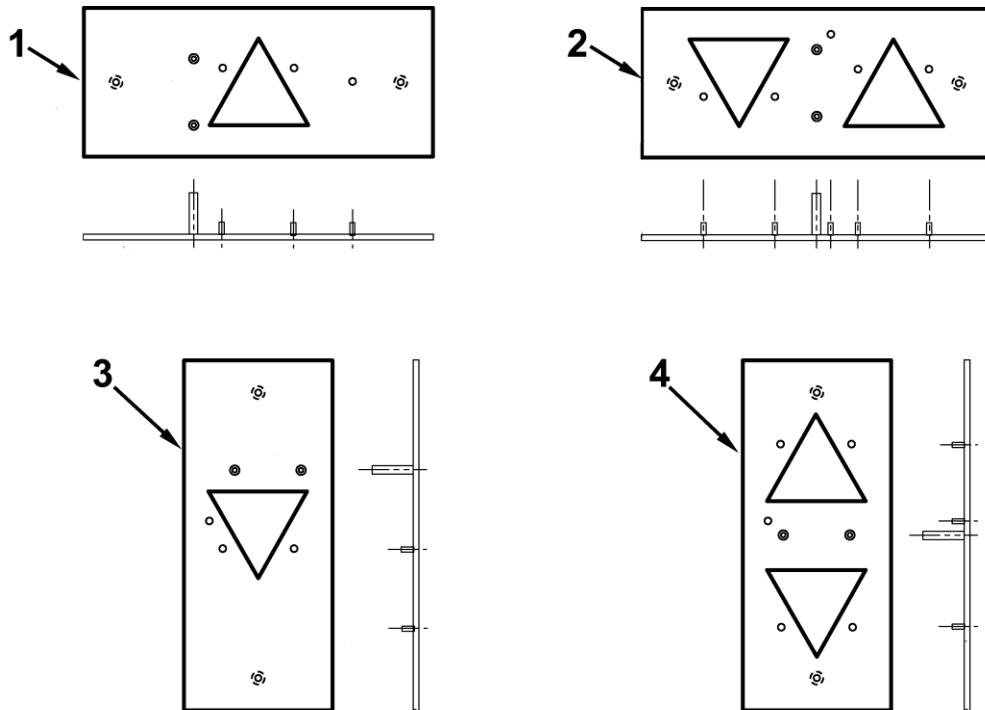
147LV Faceplates with Triangular Fixtures



AAA6646AAD		
LANDING		
TERMINAL	INTERMEDIATE	
PART No.		DESCRIPTION
REF. No. 1	REF. No. 2	Faceplates Horizontal:
147LV6	147LV5	Stainless Steel, Brushed Finish
147LV10	147LV9	Brass, Brushed Finish
147LV14	147LV13	Stainless Steel, Mirror Finish
147LV18	147LV17	Brass, Mirror Finish
147LV22	147LV21	Stainless Steel, Mill 4 Finish
REF. No. 3	REF. No. 4	Faceplates Vertical:
147LV8	147LV7	Stainless Steel, Brushed Finish
147LV12	147LV11	Brass, Brushed Finish
147LV16	147LV15	Stainless Steel, Mirror Finish
147LV20	147LV19	Brass, Mirror Finish
147LV24	147LV23	Stainless Steel, Mill 4 Finish

AAA147RX Faceplates with Triangular Fixtures

34-AAA6646AAD



ABA6646AAD		
LANDING		
TERMINAL	INTERMEDIATE	
PART No.		DESCRIPTION
REF. No. 1	REF. No. 2	Faceplates Horizontal:
AAA147RX6	AAA147RX5	Stainless Steel, Brushed Finish
AAA147RX10	AAA147RX9	Brass, Brushed Finish
AAA147RX14	AAA147RX13	Stainless Steel, Mirror Finish
AAA147RX18	AAA147RX17	Brass, Mirror Finish
AAA147RX22	AAA147RX21	Stainless Steel, Mill 4 Finish
REF. No. 3	REF. No. 4	Faceplates Vertical:
AAA147RX8	AAA147RX7	Stainless Steel, Brushed Finish
AAA147RX12	AAA147RX11	Brass, Brushed Finish
AAA147RX16	AAA147RX15	Stainless Steel, Mirror Finish
AAA147RX20	AAA147RX19	Brass, Mirror Finish
AAA147RX24	AAA147RX23	Stainless Steel, Mill 4 Finish