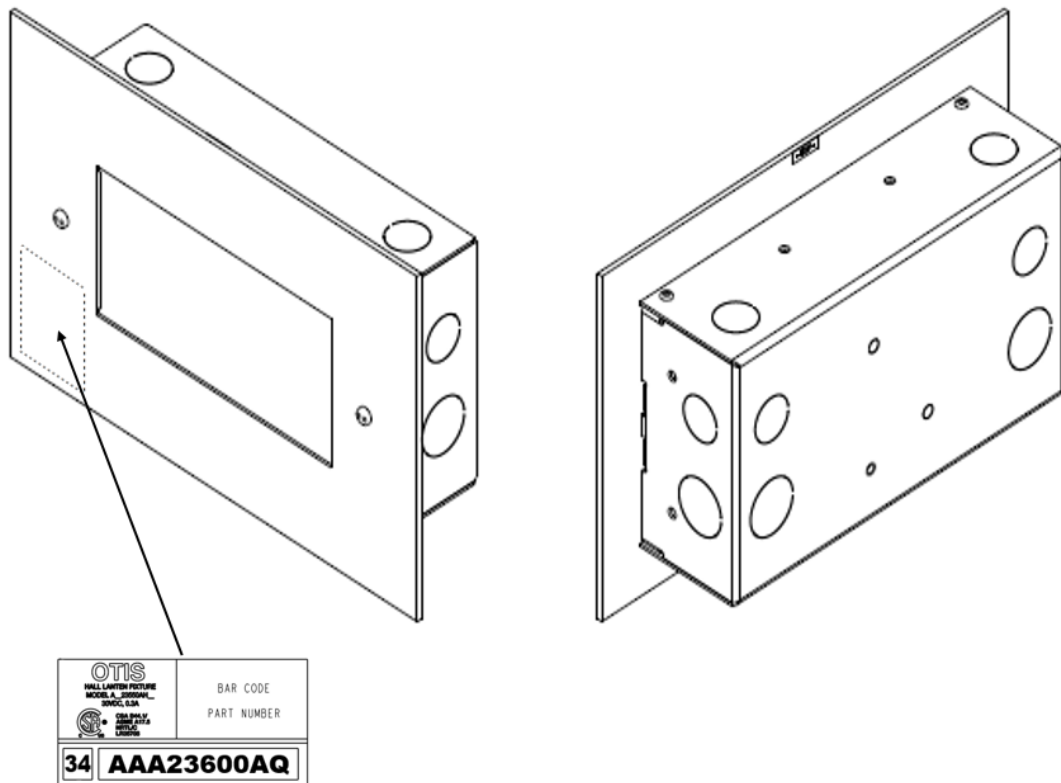


Hall Position Assembly, HPI / Combo Display

Spare Parts Leaflet
34-AAA23600AQ

October 2, 2024 / Page 1 of 3



OTIS

This document does not contain any
technical data subject to EAR or ITAR

SERVICE ENGINEERING
Otis Elevator Company
Bloomfield, Connecticut USA

Unpublished Work—© Otis Elevator Co.; 2024

History

34-AAA23600AQ

Leaflet Description

This spare parts leaflet lists the lowest replaceable units for HPI / Hall Combo display assembly for GEN3 PEAK and GEN3 Edge machines. Used with AAA23550AH Hall Lantern and AAA23550AG In-Car Lantern.

Leaflet Revisions

| Date Revised | Subject Matter Expert | Reason for Revision |
|-------------------|-----------------------|--|
| November 10, 2021 | Sathyaraj Sellapandi | New SPL |
| October 5, 2022 | Vadzim Fedarenka | Corrected part numbers for Ref. 1, AAA23600AQ3 & 4, ABA26800BCN2 are eliminated as not available for now, removed previous Ref. 8 & 9, added Note, and updated the image on p. 3 |
| October 2, 2024 | Vadzim Fedarenka | Added AAA23550AQ3-FS4 & AAA23550AQ4-FS4 to Ref.1 and ABA26800BCN2 to Ref.2; corrected Note 1 and added Note 2 on p. 3 |

Related Drawings

| Drawing No. | Title | Drawing No. | Title |
|-------------|-------------------------------------|-------------|-----------------------------|
| AAA23600AQ | Hall Position Assembly, HPI Display | AAA26AHC | Material Specs and Finishes |

Related Documents

| Document ID | Title |
|---------------|---|
| 33-AAA23550AG | In-Car Lantern Assembly |
| 34-AAA23550AH | Hall Position Assembly / HPI, Combo Display |

Subject Matter Expert

| Name | Department |
|---------------------------------|-------------------------|
| Vadzim Fedarenka & Aayush Desai | OSC Service Engineering |

About Spare Parts Leaflets...

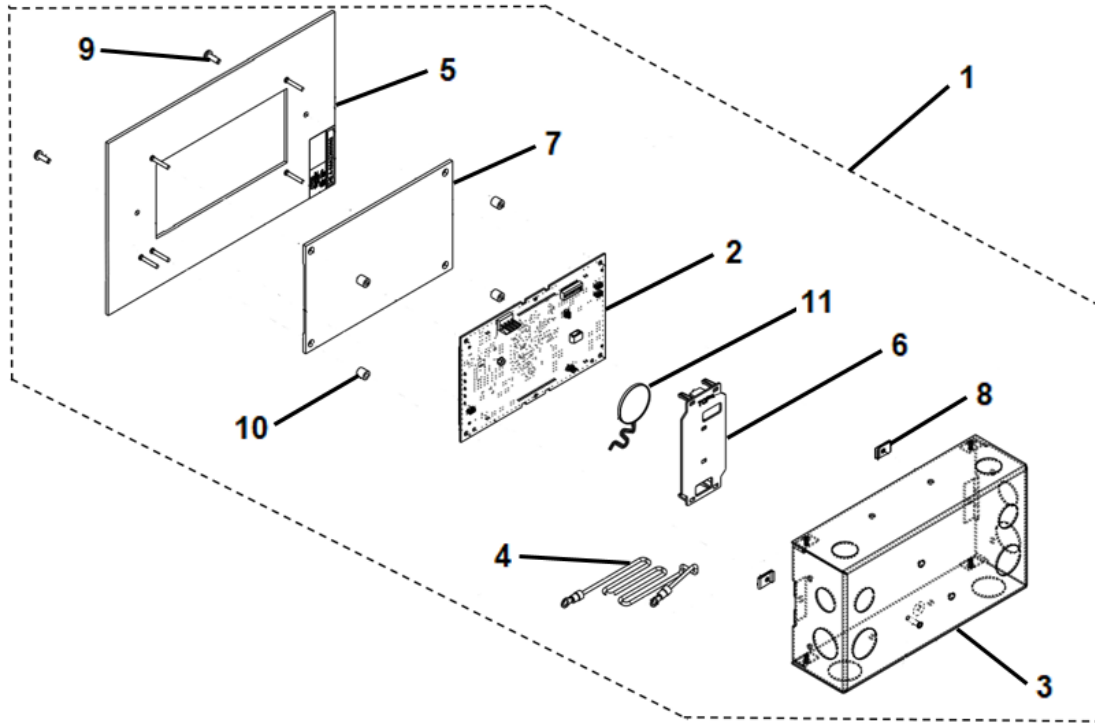
This document lists the lowest replaceable units (LRUs) for the standard version of the product. The LRUs are chosen by a team of Otis's associates representing engineering and manufacturing.

While goal of this document is to make parts identification as easy as possible, the document cannot be all-inclusive. Elevator and escalator contracts classified as "special" or "custom" are not addressed here. For such contracts, please refer to specified information, the contract folder, TIPs, Field Education Articles, Construction Letters, etc. for further information.

If you have any suggestions about this document, please contact the subject matter expert listed on this page.

Hall Position Assembly

34-AAA23600AQ



| AAA23600AQ | | |
|------------|--------------------------------|---|
| REF. No. | PART No. | DESCRIPTION |
| 1 | AAA23550AQ4 AAA23600AQ1-FS4 | Assembly, Hall Position, Blue LCD Display, w/ Gong, see Note 2 |
| | AAA23550AQ2 AAA23600AQ2-FS4 | Assembly, Hall Position, Blue LCD Display, w/o Gong, see Note 2 |
| | AAA23600AQ3-FS4 | Assembly, Hall Position, Black LCD Display, w/ Gong, see Note 2 |
| | AAA23600AQ4-FS4 | Assembly, Hall Position, Black LCD Display, w/o Gong, see Note 2 |
| 2 | ABA26800BCN1 | Assembly, PC Board, w/ Blue LCD Display |
| | ABA26800BCN2 | Assembly, PC Board, w/ Black LCD Display |
| 3 | AAA309EC32 | Box, Junction |
| 4 | AAA175ABY16 | Conductor, Ground Wire |
| 5 | AAA147TL5-FS4 | Faceplate, see Note 2 |
| 6 | AAA180KR1 | Holder, see Note 1 |
| 7 | AAA449CB3 | Lens, Display, Clear |
| 8 | 72BX7 | Nut, Speed |
| 9 | AAA124HE5 | Screw, Tamper Resistant, Pan Head |
| 10 | AAA462AL3 | Spacer |
| 11 | AAA655D2 | Speaker, see Note 1 |

- NOTE:** 1. Applicable with AAA23600AQ1-FS4 and AAA23600AQ3-FS4 only.
 2. Temporarily available finish is FS4 (brushed stainless steel, covers SS4 & MIL4) only. Ask Customer Service for a special order if you need another one.