

Luxury Fixtures
Hall Lanterns
Position Indicators

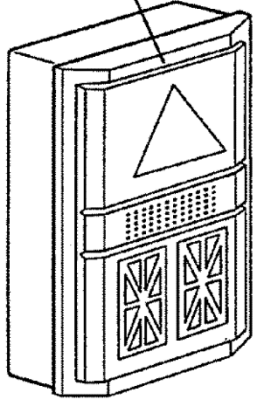
Spare Parts Leaflet

34-AAA23550B

January 16, 2019 / Page 1 of 15

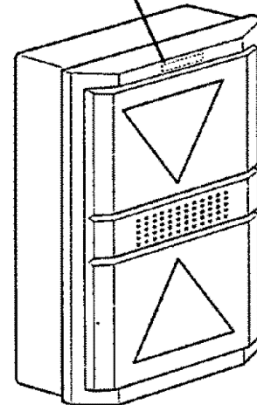
Hall Lantern /
Position Indicator

- 34 R-A..23550B
- 34 R-A..23600B
- 34 R-A..23600F



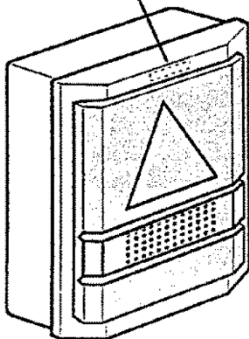
Hall Lantern /
Intermediate

- 34 R-A..23550D
- 34 R-A..23550AAA



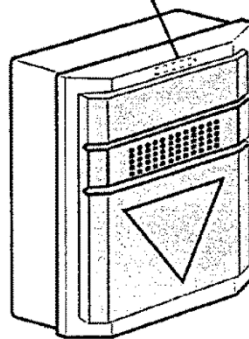
Hall Lantern /
Bottom Terminal

- 34 R-A..23550C
- 34 R-A..23550AAB



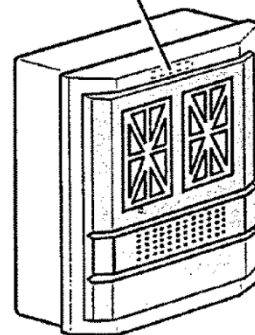
Hall Lantern /
Top Terminal

- 34 R-A..23550C
- 34 R-A..23550AAB



Hall Position
Indicator

- 34 R-A..23600D



OTIS

This document does not contain any
technical data subject to EAR or ITAR

SERVICE ENGINEERING
Otis Elevator Company
Bloomfield, Connecticut USA

Unpublished Work—© Otis Elevator Co.; 2019

Leaflet Description

This SPL provides spare parts information for types AAA23550B, AAA23550C, AAA23550D, AAA23550AAA, AAA23550AAB, AAA23600B, AAA23600D, and AAA23600F hall lanterns and position indicators. Due to obsolescence and product streamlining, luxury fixture PCBs were redesigned to better suit production requirements. As a result the redesigned PCB and LED arrays are not directly backward compatible with their legacy counterparts. Mixing and matching of the old and new PCBs will result in less than desirable performance. In order to assist with selection of correct spares, kit arrangements AAA27076HM1 through 6 have been created to ensure proper parts selections. For more information, see TIP 4.1.3-8

Leaflet Revisions

Date Revised	Subject Matter Expert	Reason for Revision
1995	---	New SPL
August 1, 2012	Joseph Zych	Updated SPL template; Updated references 4 and 6 on p. 11
August 17, 2016	Robert Knapp	Updated AAA00625AAC and AAA26800AAX to kits which include ABA26800RV or ABA26800SD, AAA26800ADF, AAA26800SM, and required hardware.
April 26, 2017	Robert Knapp	Updated information throughout
December 19, 2018	Joseph Zych	Updated Frame Sizes on pp. 4 and 13
January 16, 2019	Joseph Zych	Corrected cover illustration for hall lantern position indicator vintage information

Related Drawings

Drawing No.	Title	Drawing No.	Title
ACA23600D	Assembly and Arrangement Position Indicator	AAA23550C	Assembly and Arrangement Terminal Hall Lantern Early Call Announcement
AAA23550B	Assembly and Arrangement Top / Bottom Terminal Position Ind. / Lantern Early Call Announcement	AAA23550D	Assembly and Arrangement Intermediate Hall Lantern Early Call Announcement
ACA23600B	Assembly and Arrangement Position Ind. / Lantern Bottom Terminal	ACA23600F	Assembly and Arrangement Position Indicator / Lantern Top Terminal
ABA23500AAA	Assembly and Arrangement Intermediate Hall Lantern	---	---

Related Documents

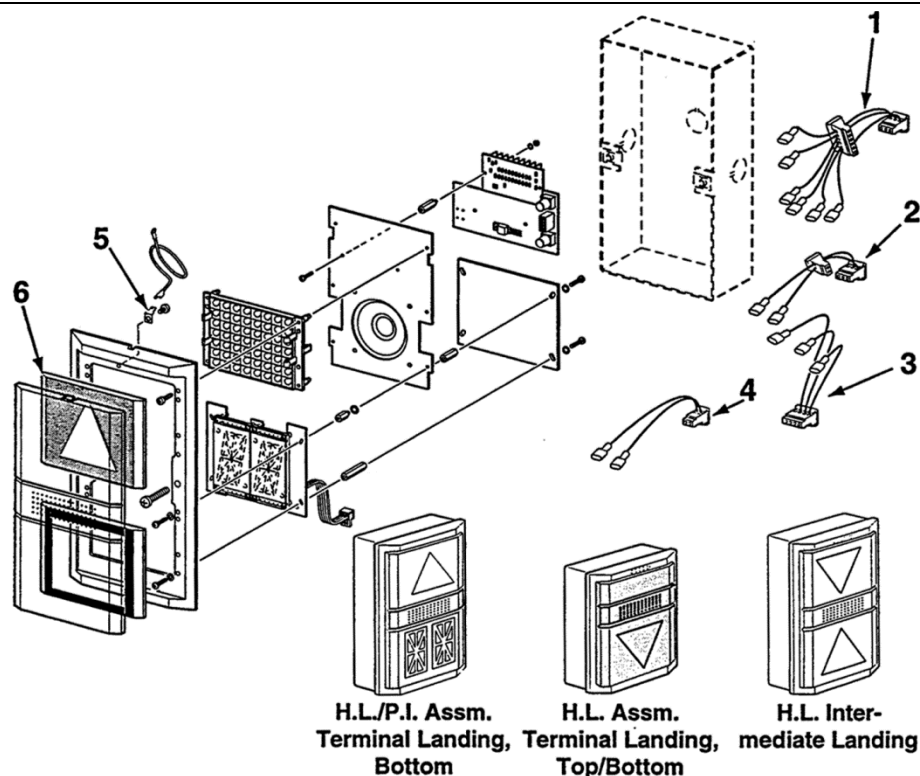
Document ID	Title
TIP 4.4.3-2	Luxury Hall Lantern Retrofit Replacing ABA26800AAX with ABA26800RV /AAA26800SM

Subject Matter Expert

Name	Department
Joseph D. Zych	OSC Service Engineering

Hall Lantern, Position Indicator

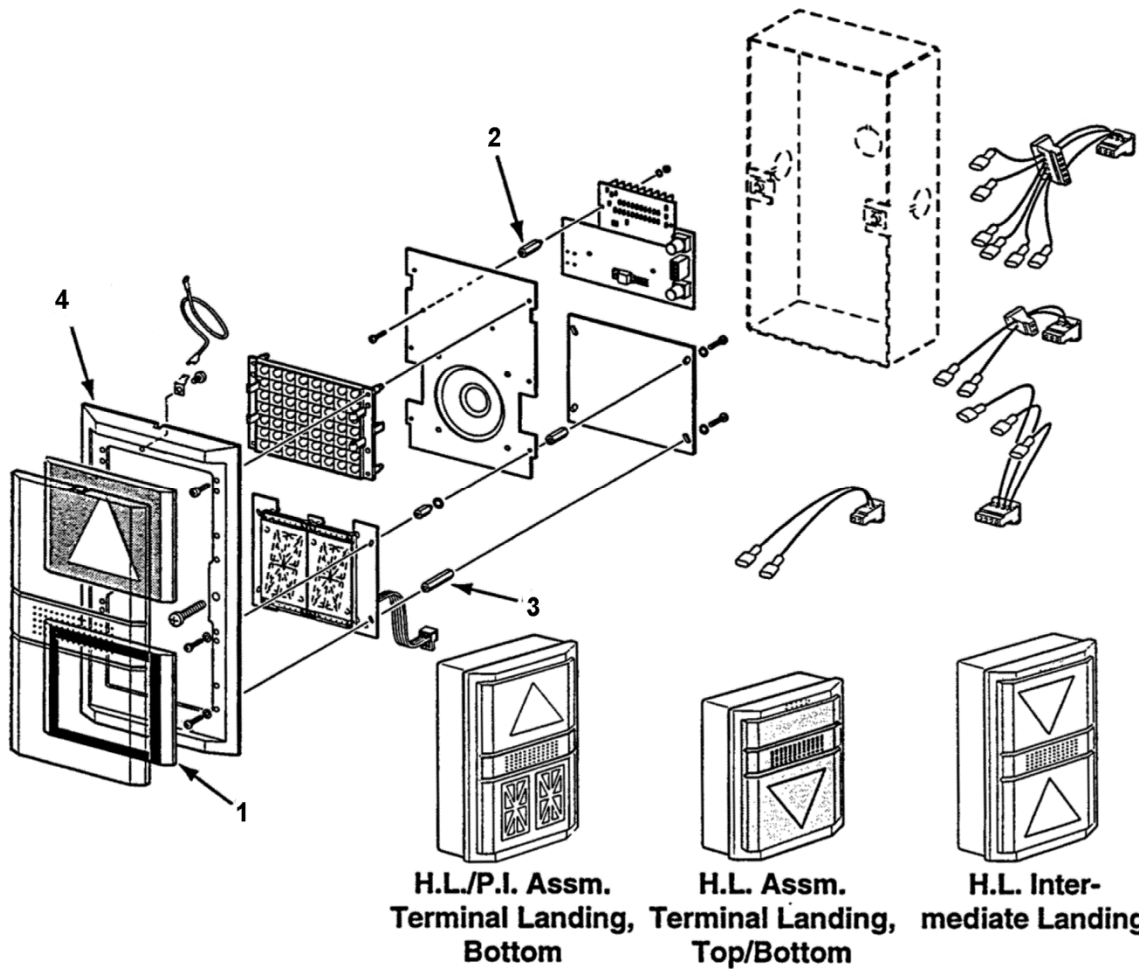
34-AAA23550B



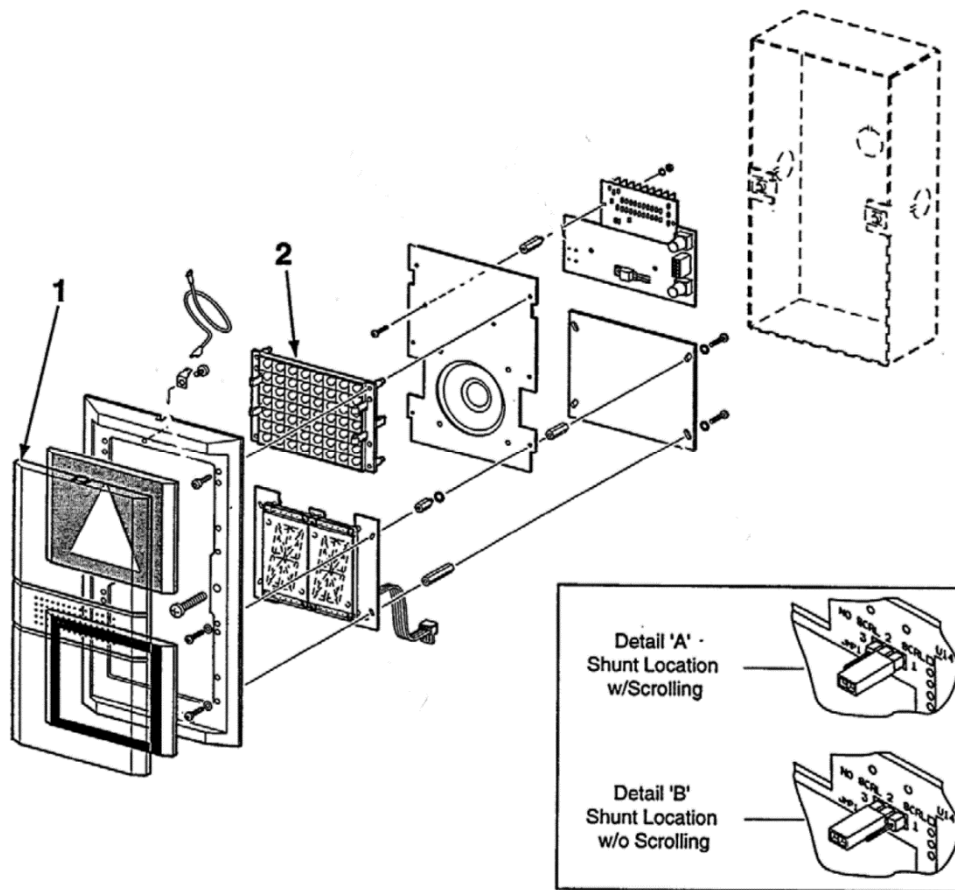
	AAA23550B	AAA23550C	AAA23550D	
REF. No.	PART No.			DESCRIPTION
1	AAA174WP1 ABA174WP1			Assembly, Cable (Hall Lantern to RS5)
2	AAA00174AAL008 174GV13			Assembly, Cable (w/ RSL Power Supply from RS5), See NOTE
3	AAA00174AAL009			Assembly, Cable (Position Indicator Power from RS5)
4	AAA00174AAL013 174GV13			Assembly, Cable (w/ Auxiliary Power Supply from RS5), See NOTE
5	AAA00175AAB154			Conductor, Grounding (Frame to Box)
6	AAA00443AAB001			Diffuser, w/o Direction Arrow, Used with Grey Lens (White Translucent)
	AAA00443AAB003			Diffuser, Left/Right Direction Arrow, Used with Grey Lens (White Translucent)
	AAA00443AAB004			Diffuser, Up/Down Direction Arrow, Used with White Lens (White Translucent)
	AAA00443AAB006			Diffuser, Up/Down Direction Arrow, Used with White Lens (Clear)
	AAA00443AAB010			Diffuser, w/o Direction Arrow, Used with Grey Lens (Translucent)
	AAA00443AAB011			Diffuser, Left/Right Direction Arrow, Used with Grey Lens (Translucent)
	AAA00443AAB012			Diffuser, Up/Down Direction Arrow, Used with Grey Lens (Translucent)

NOTE: If replacing AAA00174AAL013, you should replace A*A26800GN and A*A26800GP with ACA26800AJX2.

(Continued on next page)



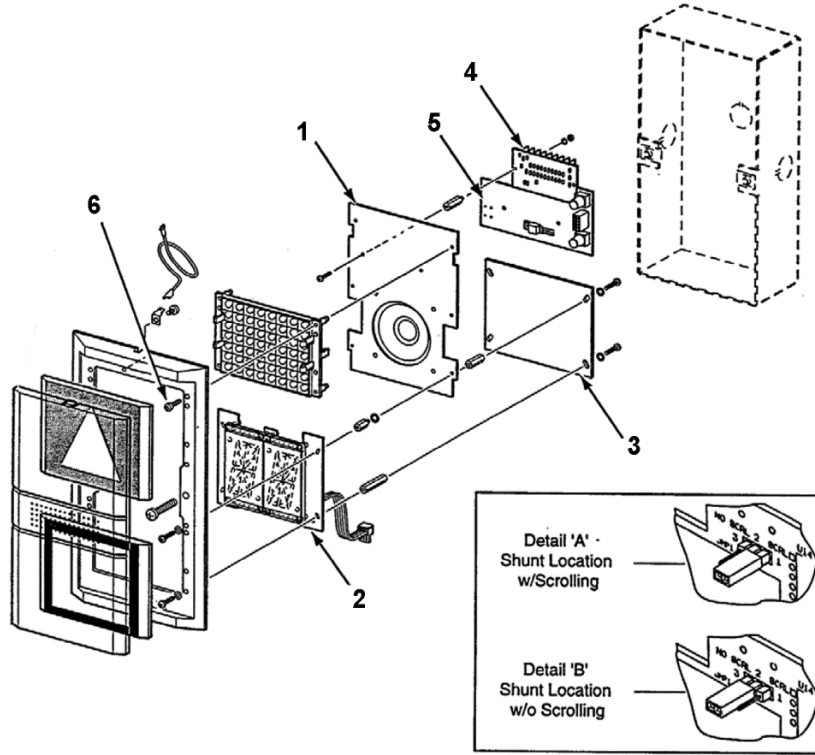
	AAA23550B	AAA23550C	AAA23550D	
REF. No.	PART No.			DESCRIPTION
1	AAA00443AAB002	---	---	Diffuser, w/Cutout, Used with Position Indicator
2	354AG46			Distance Piece, 23.76 mm Length (RS5 & Tone Generator PC Boards)
3	354AG73			Distance Piece, 16.76 mm Length (PI Power Supply PC Board)
4	ABA00448AAA005 ABA00448AAA010	ABA00448AAB005	ABA00448AAA005 ABA00448AAA010	Frame, Brass, Brushed Finish
	ABA00448AAA004 ABA00448AAA009	ABA00448AAB004	ABA00448AAA004 ABA00448AAA009	Frame, Brass, Mirror Finish
	ABA00448AAA003 ABA00448AAA008	ABA00448AAB003	ABA00448AAA003 ABA00448AAA008	Frame, Stainless Steel, Brushed Finish
	ABA00448AAA002 ABA00448AAA007	ABA00448AAB002	ABA00448AAA002 ABA00448AAA007	Frame, Stainless Steel, Mirror Finish



REF. No.	AAA23550B	AAA23550C	AAA23550D	DESCRIPTION
	PART No.			
1	AAA00449AAB003		AAA00449AAC003	Lens, Grey
	AAA00449AAB002		AAA00449AAC002	Lens, White
2	AAA00625AAC002			LED Array, Green
	AAA27076HM2 NOTE		---	Kit, Hall Lantern PCB w/ Green LED Array w/ Tone Generation PCB
	AAA27076HM4 NOTE		---	Kit, Hall Lantern PCB w/ Green LED Array w/o Tone Generation PCB
	AAA00625AAC004			LED Array, Red
	AAA27076HM1 NOTE		---	Kit, Hall Lantern PCB w/ Red LED Array w/ Tone Generation PCB
	AAA27076HM3 NOTE		---	Kit, Hall Lantern PCB w/ Red LED Array w/o Tone Generation PCB
			AAA27076HM5 NOTE	Kit, Hall Lantern PCB, w/ Green and Red LED Arrays, w/ Tone Generation PCB
			AAA27076HM6 NOTE	Kit, Hall Lantern PCB, w/ Green and Red LED Arrays, w/o Tone Generation PCB

NOTE: For more information on type AAA27076HM, see TIP 4.1.3-8.

(Continued on next page)

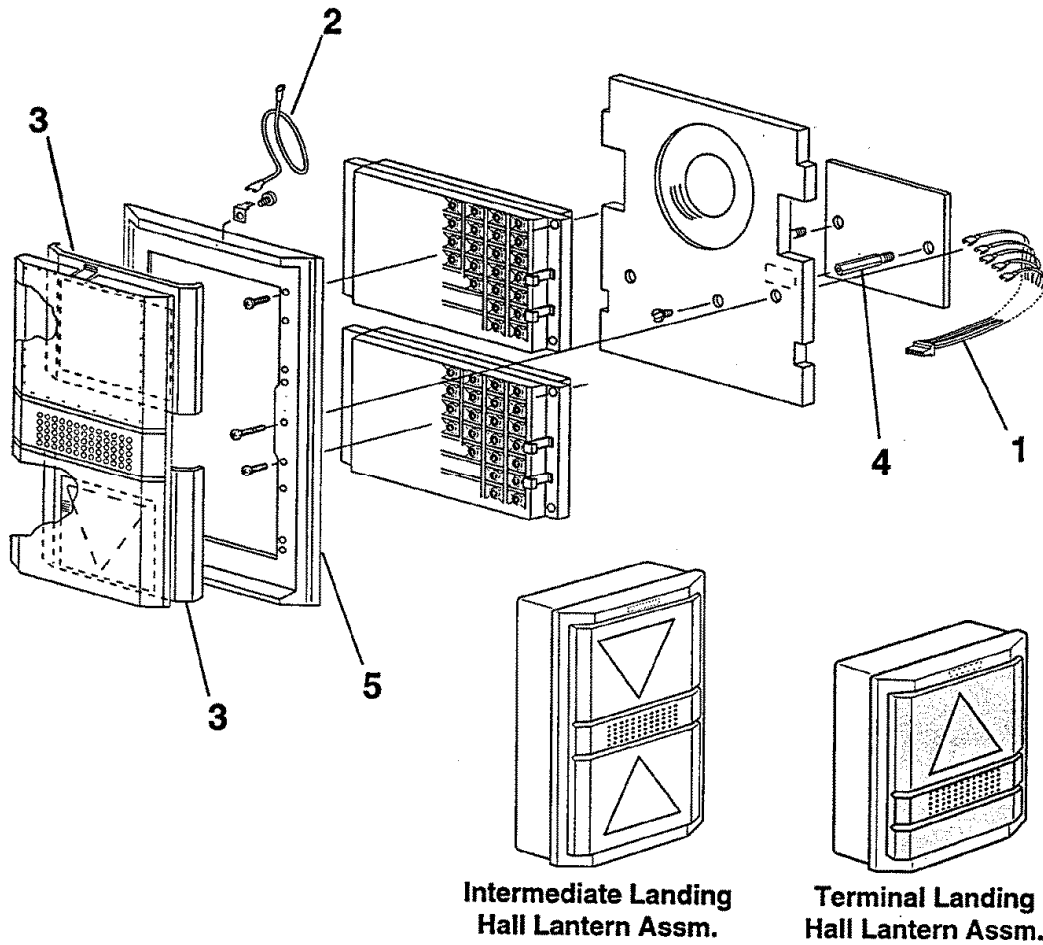


REF. No.	AAA23550B	AAA23550C	AAA23550D	DESCRIPTION
	PART No.			
1	AAA26800RV4			PC Board, Hall Lantern
	AAA27076HM1 NOTE		---	Kit, Hall Lantern PCB w/ Red LED Array w/ Tone Generation PCB
	AAA27076HM2 NOTE			Kit, Hall Lantern PCB w/ Red LED Array w/o Tone Generation PCB
	AAA27076HM3 NOTE			Kit, Hall Lantern PCB w/ Green LED Array w/ Tone Generation PCB
	AAA27076HM4 NOTE			Kit, Hall Lantern PCB w/ Green LED Array w/o Tone Generation PCB
	---			AAA27076HM5 NOTE
2	ABA26800GP2 ACA26800AJX3	---	---	PC Board, Position Indicator Display
				Position Indicator Kit, w/o Filter
				Position Indicator Kit, w/ Filter
3	ABA26800GN4 ACA26800AJX3	---	---	PC Board, Position Indicator Power Supply
				Position Indicator Kit, w/ Filter
4	GBA23550D4 GFA23550D10			PC Board, Remote Station-5
5	AAA26800SM1			PC Board, Tone Generator
6	124CY8			Screw, Self-Tapping, M3 x 10

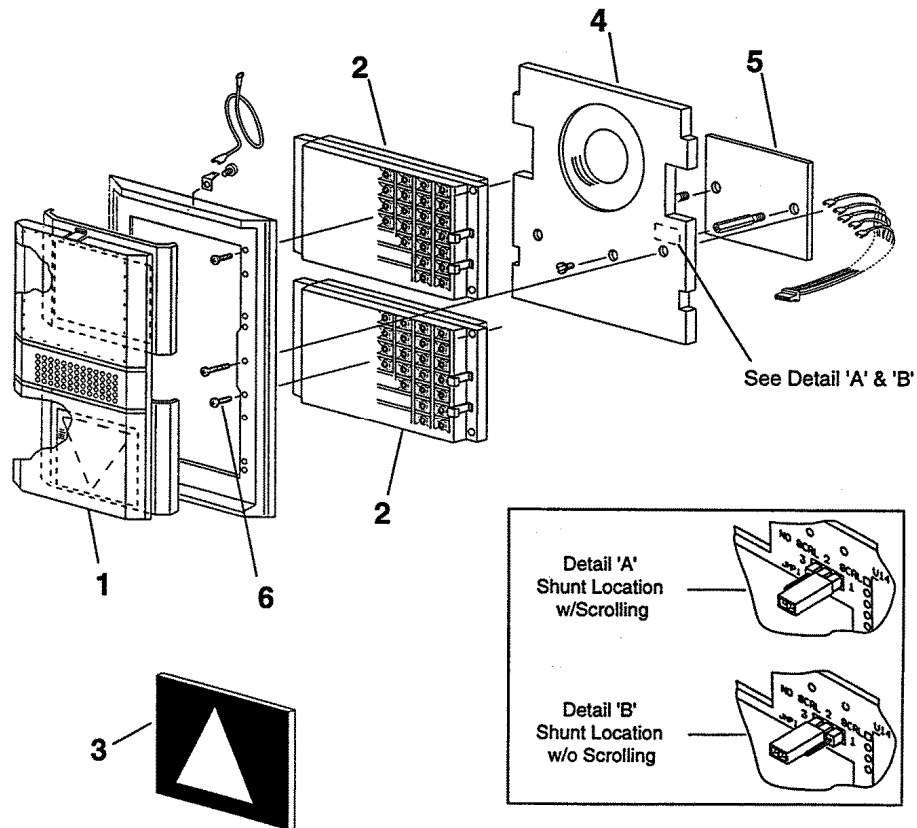
NOTE: For more information on type AAA27076HM, see TIP 4.1.3-8.

Frame and Wiring

34-AAA23550B



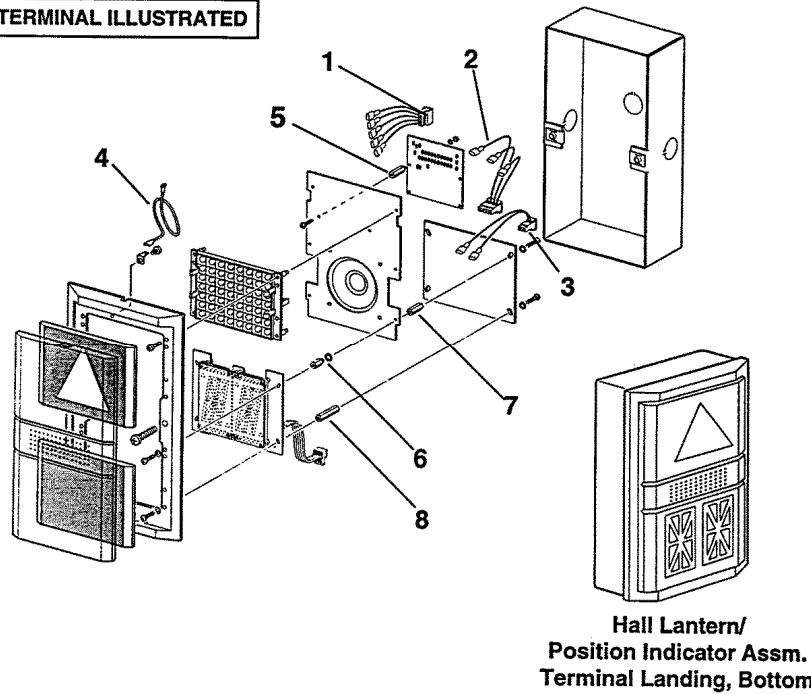
REF. No.	PART No.	DESCRIPTION
	AAA23550AAA ABA23550AAA	
1	AAA00174AAL005 ABA174WP1	Cable (Hall Lantern to RS-4)
2	AAA00175AAB112	Conductor, Grounding
3	AAA00443AAB001	Diffuser, w/o Direction Arrow, Used With Grey Lens
	AAA00443AAB003	Diffuser, w/ Direction Arrow, Used With Grey Lens
	AAA00443AAB004	Diffuser, w/ Direction Arrow, Used With White Lens
4	354AG46	Distance Piece, 23.76 mm Length
5	AAA00448AAA005 ABA00448AAA005 ABA00448AAA010	Frame, Bronze, Brushed Finish
	AAA00448AAA004 ABA00448AAA004 ABA00448AAA009	Frame, Bronze, Mirror Finish
	AAA00448AAA003 ABA00448AAA003 ABA00448AAA008	Frame, Stainless Steel, Brushed Finish
	AAA00448AAA002 ABA00448AAA002 ABA00448AAA007	Frame, Stainless Steel, Mirror Finish



	AAA23550AAA ABA23550AAA	
REF. No.	PART No.	DESCRIPTION
1	AAA00449AAB001	Lens, Grey, 8.7 in. Length
	AAA00449AAB002	Lens, White, 8.7 in. Length
2	AAA00625AAC002	LED Array, Green
	AAA00625AAC001	LED Array, Red
	AAA27076HM5 NOTE	Kit, Hall Lantern PCB w/ Green and Red LED Arrays w/ Tone Generation PCB
	AAA27076HM6 NOTE	Kit, Hall Lantern PCB w/ Green and Red LED Arrays w/o Tone Generation PCB
3	AAA449BN4	Mask, Direction Arrow, 7 mm
4	AAA26800AAX001 ABA26800AAX001	PC Board, Hall Lantern
	AAA27076HM5 NOTE	Kit, Hall Lantern PCB, w/ Green and Red LED Arrays, w/ Tone Generation PCB
	AAA27076HM6 NOTE	Kit, Hall Lantern PCB, w/ Green and Red LED Arrays, w/o Tone Generation PCB
5	9693C4 A9693C4	PC Board, Remote Station-4
	GBA23550D4 GFA23550D10	PC Board, Remote Station-5
	124CY8	Screw, Self-Tapping, M3 x 10

NOTE: For more information on type AAA27076HM, see TIP 4.1.3-8.

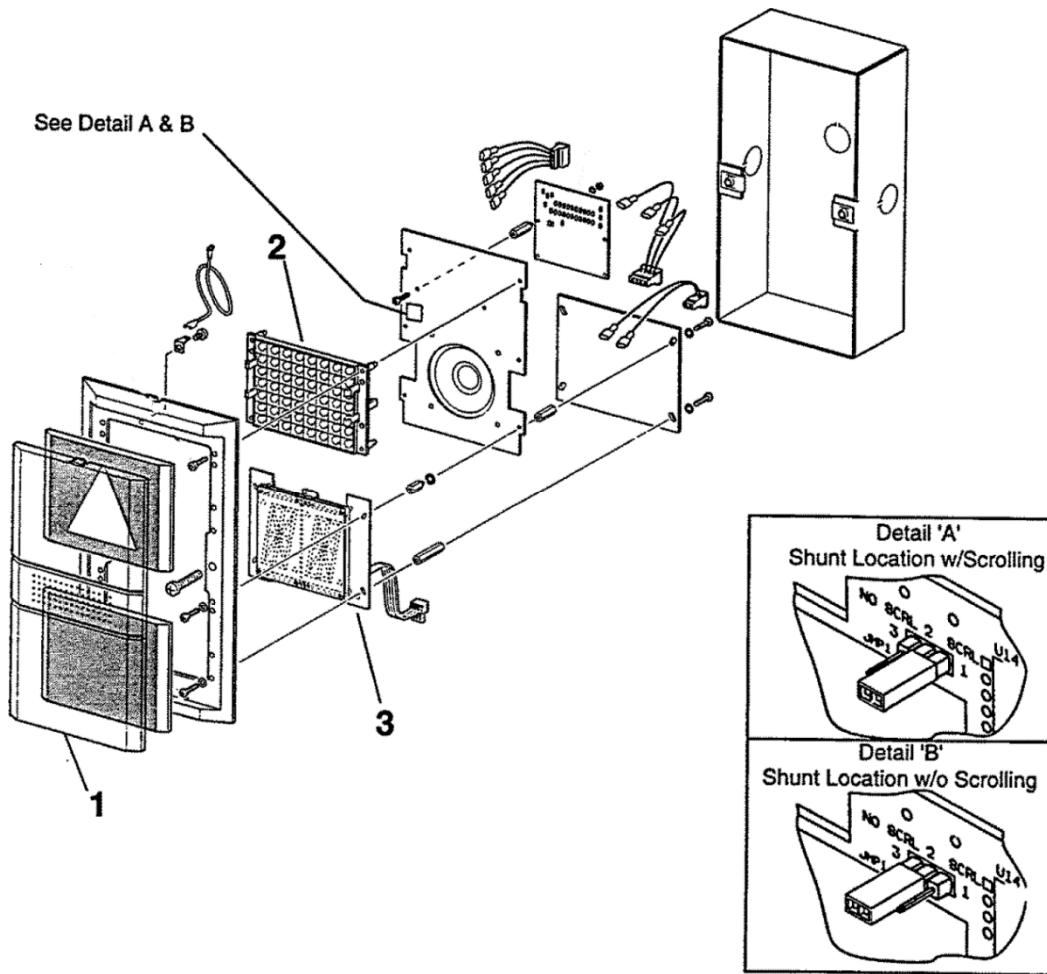
BOTTOM TERMINAL ILLUSTRATED



**Hall Lantern/
Position Indicator Assm.
Terminal Landing, Bottom**

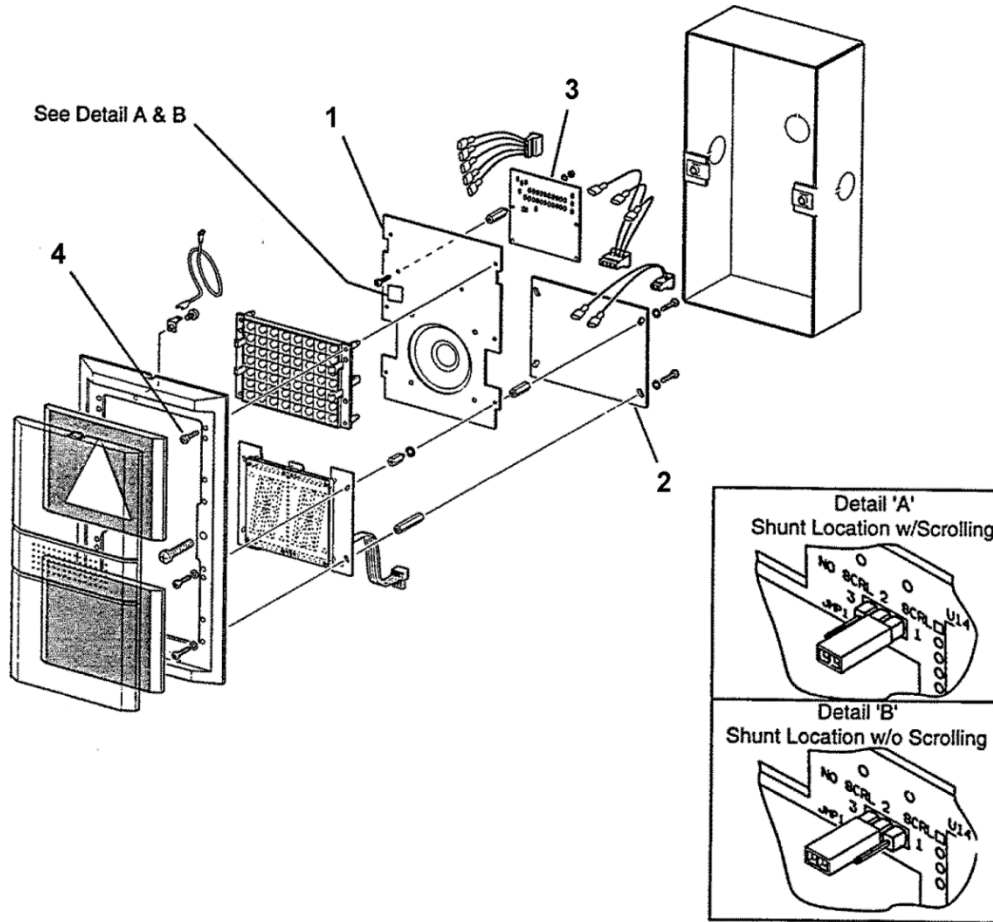
REF. No.	ALL VINTAGES of A..23600B		ALL VINTAGES of A..23600F		DESCRIPTION
	PART No.				
1	AAA00174AAL005		ABA174WP1		Cable (Hall Lantern from RS-5)
2	AAA00174AAL009				Cable, (Position Indicator Signal from RS-5)
3	AAA00174AAL008		AAA00174AAL013		Cable, (Position Indicator Power from RS-5), See NOTE
			174GV13		
4	AAA00175AAB112				Cable, Grounding
5	354AG46				Distance Piece, 23.76 mm Length
6	354AG73				Distance Piece, 16.76 mm Length
7	354CD74				Distance Piece, 19 mm Length
8	354CD75				Distance Piece, 32 mm Length
9	AAA00448AAA005		ABA00448AAA005		Frame, Brass, Brushed Finish, w/o Ground
	ABA00448AAA010				
	AAA00448AAA004		ABA00448AAA004		Frame, Brass, Mirror Finish, w/o Ground
	ABA00448AAA009				
AAA00448AAA003		ABA00448AAA003		Frame, Stainless Steel, Brushed Finish, w/o Ground	
ABA00448AAA008					Frame, Stainless Steel, Brushed Finish, w/ Ground
AAA00448AAA002		ABA00448AAA002		Frame, Stainless Steel, Mirror Finish, w/o Ground	
ABA00448AAA007					Frame, Stainless Steel, Mirror Finish, w/ Ground

NOTE: If replacing AAA00174AAL013, replace A*A26800GN and A*A26800GP with AAA26800BR3.



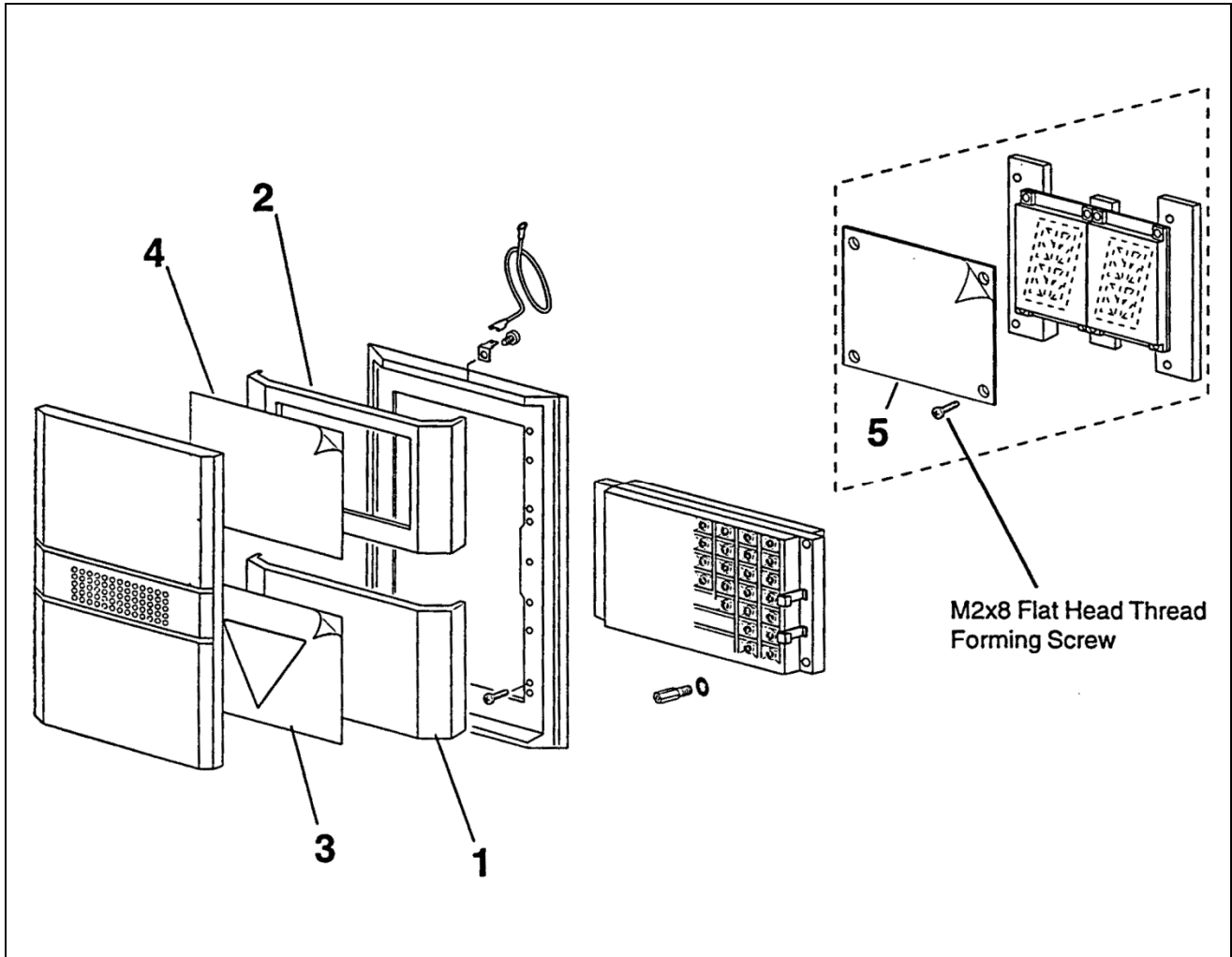
REF. No.	PART No.	DESCRIPTION	
1	AAA00449AAB003	Lens - Grey	
2	AAA00625AAC002	LED Array, Green	
	AAA00625AAC001	LED Array, Red	
	AAA27076HM2 NOTE	---	Green LED's w/ Tone Generation
	AAA27076HM4 NOTE	---	Green LED's w/o Tone Generation
	---	AAA27076HM1 NOTE	Red LED's w/ Tone Generation
	---	AAA27076HM3 NOTE	Red LED's w/o Tone Generation
3	AAA26800GP1 ABA26800GP1	PC Board, Position Indicator Display	
	AAA27076BR1	Position Indicator Kit, w/o Filter	

NOTE: For more information on type AAA27076HM, see TIP 4.1.3-8.



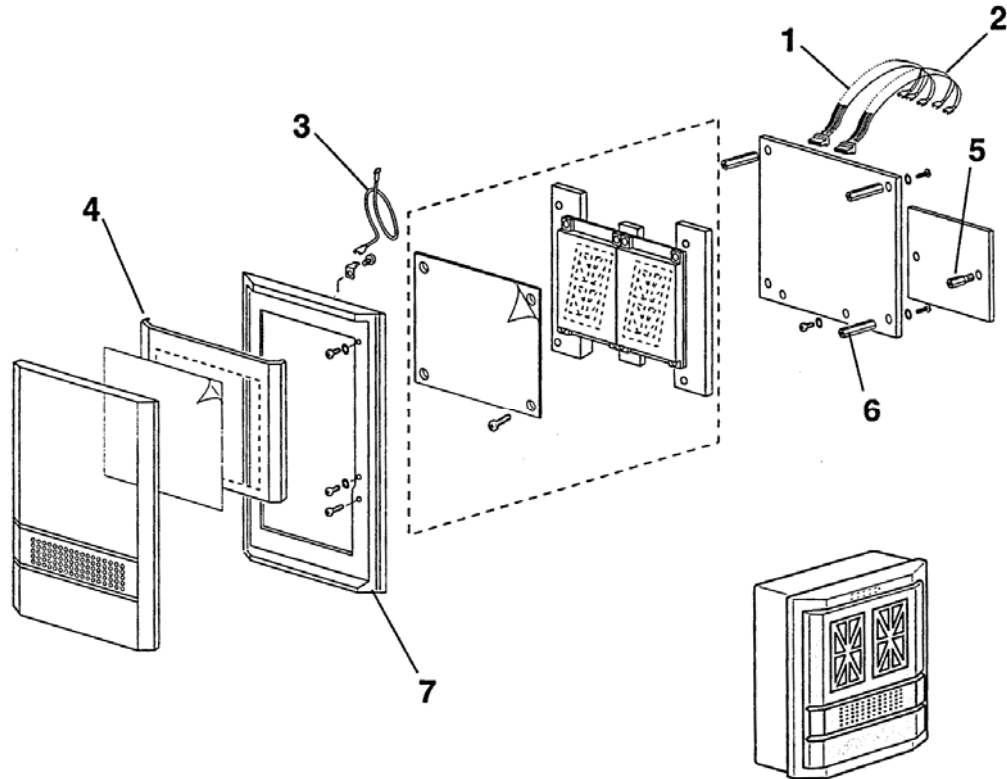
REF. No.	ALL VINTAGES of A..23600B	ALL VINTAGES of A..23600F	DESCRIPTION
	PART No.		
1	AAA26800AAx001 ABA26800AAx001		PC Board, Hall Lantern
	AAA27076HM1 NOTE		Kit, Hall Lantern PCB w/ Red LED Array w/ Tone Generation PCB
	AAA27076HM2 NOTE		Kit, Hall Lantern PCB w/ Red LED Array w/o Tone Generation PCB
	AAA27076HM3 NOTE		Kit, Hall Lantern PCB w/ Green LED Array w/ Tone Generation PCB
	AAA27076HM4 NOTE		Kit, Hall Lantern PCB w/ Green LED Array w/o Tone Generation PCB
2	AAA26800GN1 ABA26800GN1		PC Board, Position Indicator Power
	AAA27076BR3		Position Indicator Kit, w/ Filter
3	A9693C4		PC Board, Remote Station-4
	GBA23550D4 GFA23550D10		PC Board, Remote Station-5
4	124CY8		Screw, Self-Tapping, M3 x 10

NOTE: For more information on type AAA27076HM, see TIP 4.1.3-8.



REF. No.	ALL VINTAGES of A..23600B	ALL VINTAGES of A..23600F	DESCRIPTION
	PART No.		
1	AAA00443AAB001		Diffuser w/o Direction Arrow Used with Lantern (see NOTE)
	AAA00443AAB003		Diffuser, w/Direction Arrow Used with Lantern
2	AAA00443AAB002		Diffuser w/Cutout Used with Position Indicator
3	AAA449BN4		Mask, Direction Arrow
4	AAA449BM1		Chromofilter, Red 65, 100 mm Length (see NOTE)
5	AAA449BM3		Chromofilter, Red 65, 80 mm Length

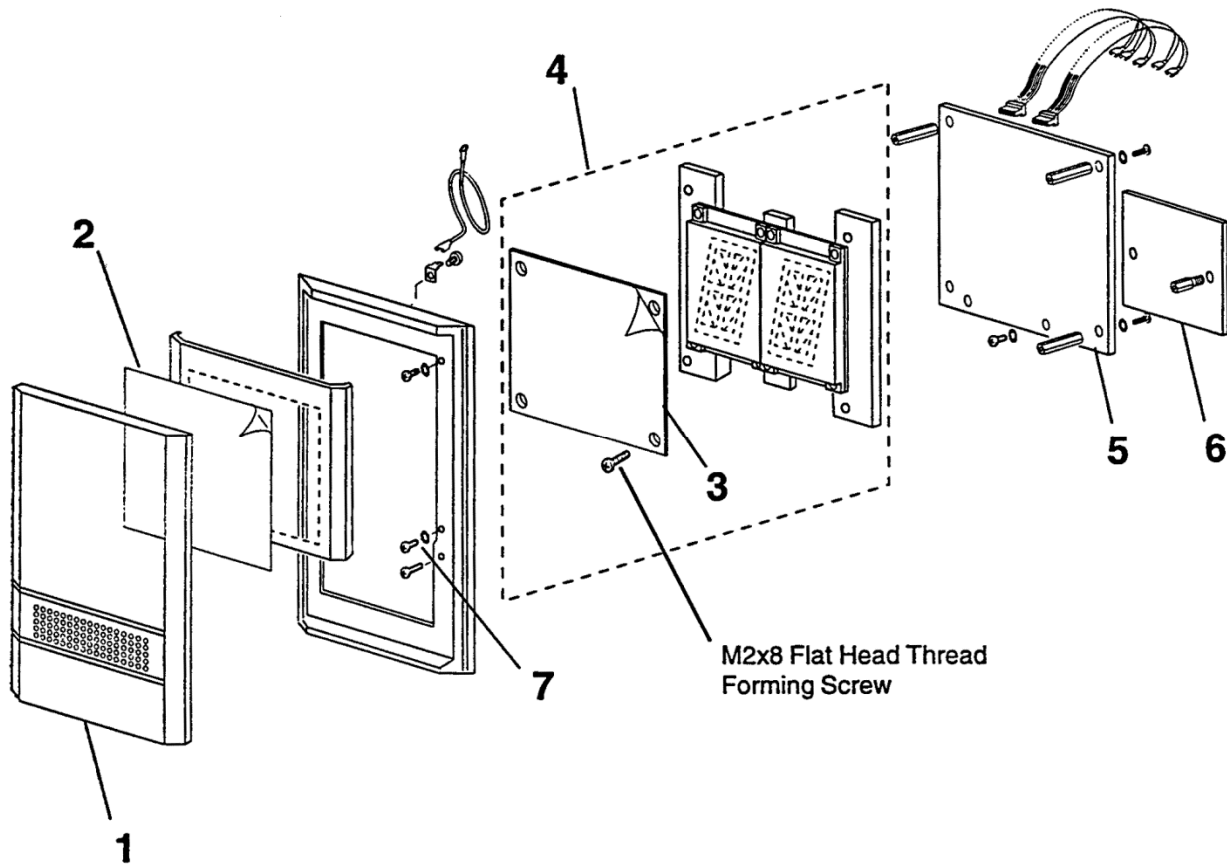
NOTE: Early versions of the position indicator diffuser used a self-adhesive red chromofilter (p/n AAA449BM1) that adhered to the diffuser. The current version of the assembly has the red filter mounted to the position indicator board. If you are replacing an early version of the position indicator diffuser, then also order filter p/n AAA449BM3 and mount it to the position indicator board.



Hall Position Indicator Assm.

ALL VINTAGES of A..23600D		
REF. No.	PART No.	DESCRIPTION
1	AAA00174AAL009	Cable (Position Indicator Signal from RS-5)
2	AAA00174AAL008 AAA00174AAL013 174GV13	Cable (Position Indicator Power from RS-5), See NOTE
3	AAA00175AAB112	Cable, Grounding
4	AAA00443AAB002	Diffuser w/Cutout
5	354AG73	Distance Piece, 16.76 mm Length
6	354CD74	Distance Piece, 19 mm Length
7	ABA00448AAB005	Frame, Brass, Brushed Finish, w/Ground Screw Hole
	ABA00448AAB004	Frame, Brass, Mirror Finish, w/Ground Screw Hole
	ABA00448AAB003	Frame, Stainless Steel, Brushed Finish, w/Ground Screw Hole
	ABA00448AAB002	Frame, Stainless Steel, Mirror Finish, w/Ground Screw Hole

NOTE: If replacing AAA00174AAL013, replace A*A26800GN and A*A26800GP with ACA26800AJX2.



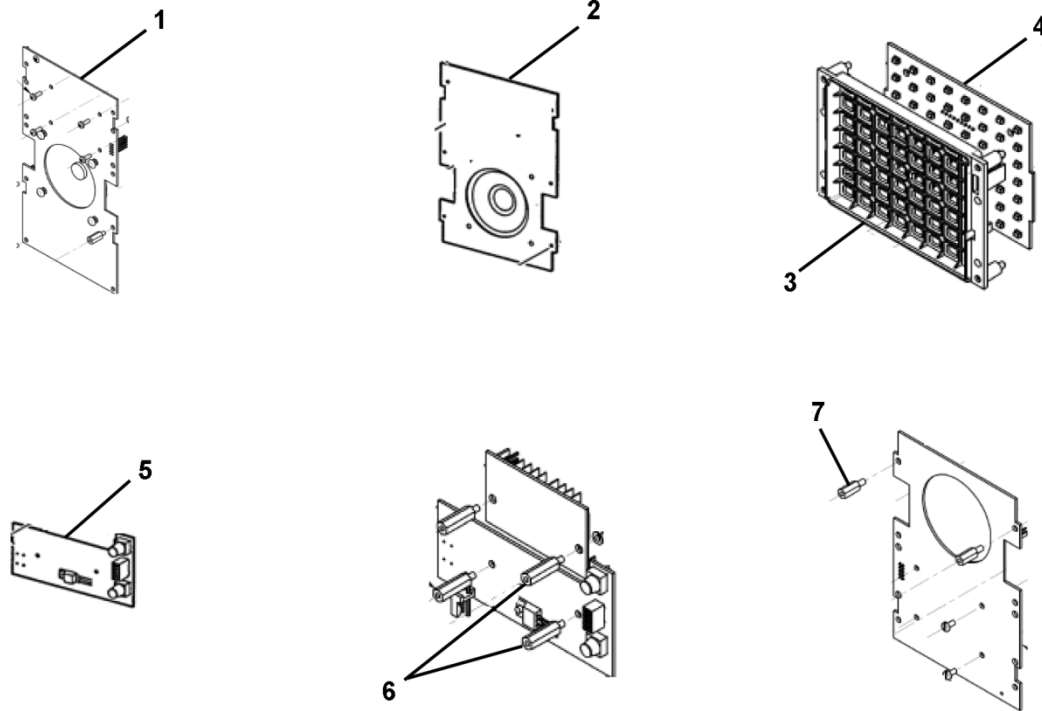
REF. No.	PART No.	DESCRIPTION
	ALL VINTAGES of A..23600D	
1	AAA00449AAC003	Lens, Grey, 6.25 in. Length
2	AAA449BM1	Chromofilter, Red 65, 100 mm Length
3	AAA449BM3	Chromofilter, Red 65, 80 mm Length
4	AAA26800GP1 ABA26800GP1 ACA26800AJX2	PC Board, Position Indicator Display
5	AAA26800GN1 ABA26800GN1 NOTE	PC Board, Position Indicator Power
6	9693C4 A9693C4	PC Board, Remote Station-4
	GBA23550D1 GFA23550D10	PC Board, Remote Station-5
7	124CY8	Screw, Self-Tapping, M3 x 10

NOTE: This component is no longer needed when using ACA26800AJX2.

Hall Lantern Kit Spare Parts

34-AAA23550B

(A*A27076HM)



REF. No.	PART No.	DESCRIPTION
	A*A27076HM	
1	ABA26800RV2	Board, PC, Hall Lantern, Dual Arrow
2	AAA26800SD2	Board, PC, Hall Lantern, Single Arrow
3	AAA180GP1	LED Array, Holder
4	AAA26800ADF1	LED Array, Red
	AAA26800ADF2	LED Array, Green
5	AAA26800SM1	Board, PC, Tone Generator
6	354AG46	Distance Piece, RS5, SM
7	354AG47	Distance Piece, SD
*	354AG73	Distance Piece, PI
*	ABA174WP1	Cable, Hall Indicator from RS-5
*	---	Nut, Hex, M3 w/ Lock Washer
*	---	Nut, Hex, M3
*	---	Screw, Pan Head, M3x8 Cross Recessed

* Not shown