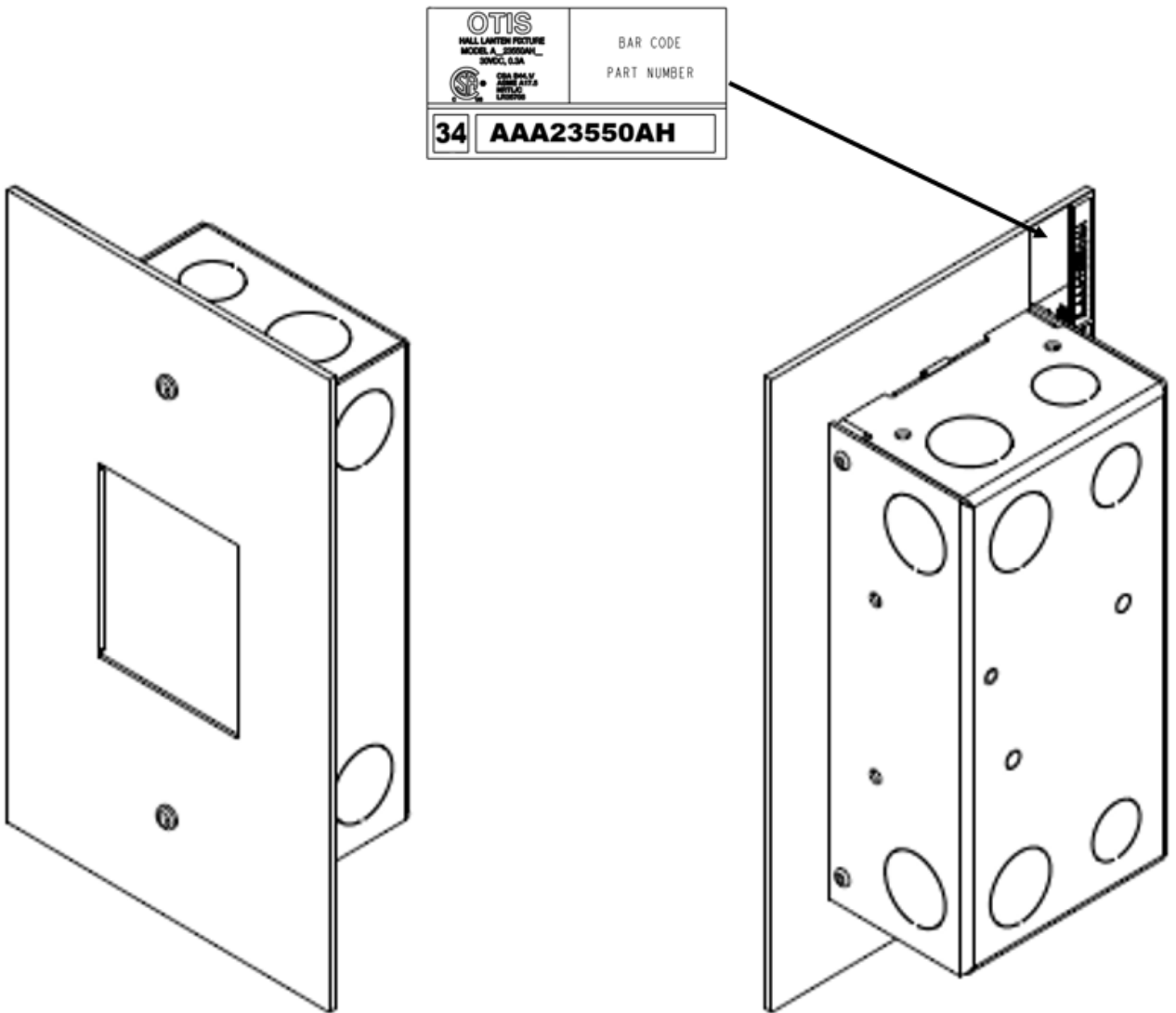


Hall Lantern Assembly

Spare Parts Leaflet

34-AAA23550AH

October 2, 2024/ Page 1 of 3



OTIS

This document does not contain any technical data subject to EAR or ITAR

SERVICE ENGINEERING

Otis Elevator Company

Bloomfield, Connecticut USA

Unpublished Work—© Otis Elevator Co.; 2024

History

34-AAA23550AH

Leaflet Description

This spare parts leaflet lists the lowest replaceable units for Hall Lantern display assembly for GEN3 PEAK and GEN3 Edge machines. Used with AAA23550AG In-Car Lantern and AAA23600AQ Hall Combo.

Leaflet Revisions

Date Revised	Subject Matter Expert	Reason for Revision
November 24, 2021	Sathyaraj Sellapandi	New SPL
December 20, 2023	Vadzim Fedarenka	Removed AAA23550AH2 & ABA26800BCK2 as unavailable.
October 2, 2024	Vadzim Fedarenka	Added AAA23550AH2-FS4 to Ref. 1 & ABA26800BCK2 to Ref. 2 on p. 3; added Note on p. 3

Related Drawings

Drawing No.	Title	Drawing No.	Title
AAA23550AH	Hall Lantern Assembly	---	---
---	---	---	---

Related Documents

Document ID	Title
34-AAA23600AQ	Hall Position Assembly / HPI, Combo Display
33-AAA23550AG	In-Car Lantern Assembly

Subject Matter Expert

Name	Department
Vadzim Fedarenka & Aayush Desai	OSC Service Engineering

About Spare Parts Leaflets...

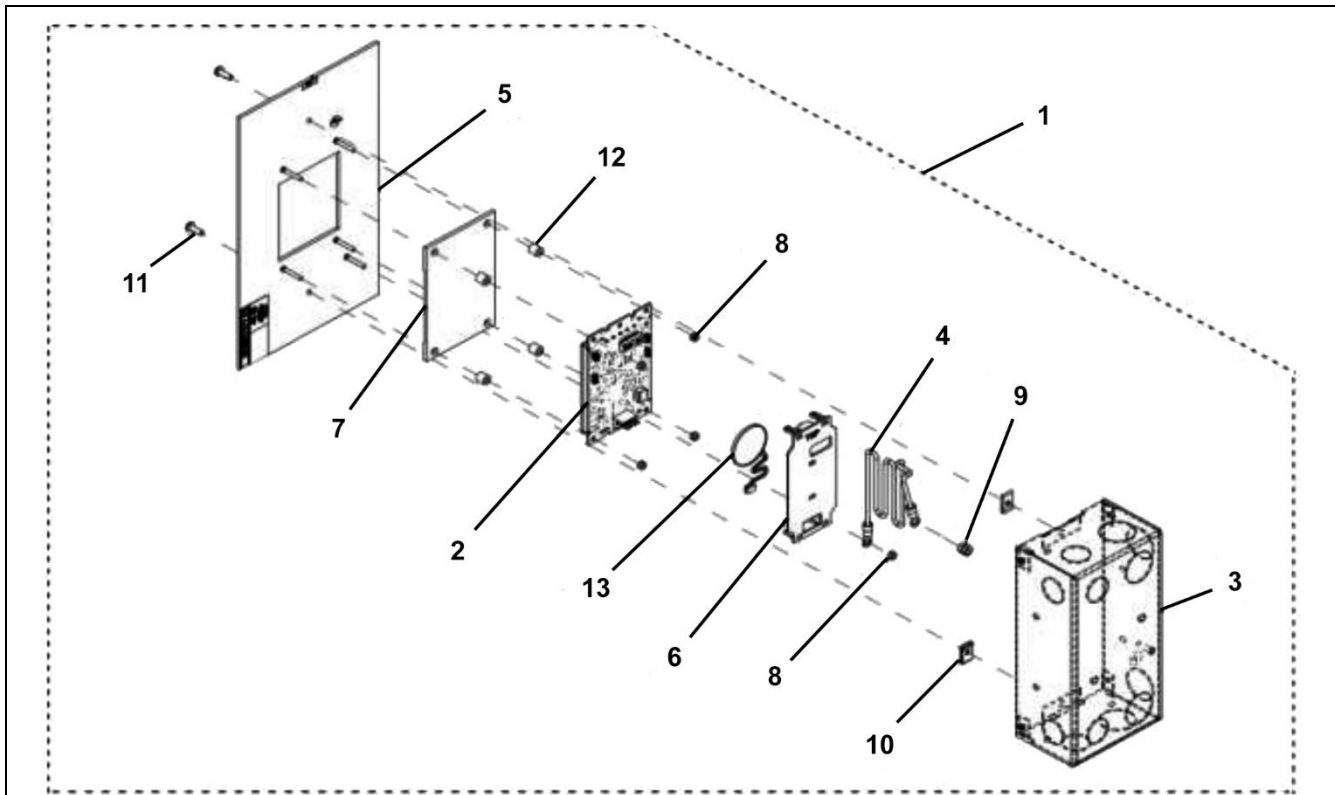
This document lists the lowest replaceable units (LRUs) for the standard version of the product. The LRUs are chosen by a team of Otis's associates representing engineering and manufacturing.

While goal of this document is to make parts identification as easy as possible, the document cannot be all-inclusive. Elevator and escalator contracts classified as "special" or "custom" are not addressed here. For such contracts, please refer to specified information, the contract folder, TIPs, Field Education Articles, Construction Letters, etc. for further information.

If you have any suggestions about this document, please contact the subject matter expert listed on this page.

Hall Lantern Assembly

34-AAA23550AH



REF. No.	AAA23550AH	DESCRIPTION
	PART No.	
1	AAA23550AH1-FS4	Assembly, Hall Lantern/In-Car Display, Clear Lens, Blue LCD Display, see Note
	AAA23550AH2-FS4	Assembly, Hall Lantern/In-Car Display, Clear Lens, Black LCD Display, see Note.
2	ABA26800BCK1	Assembly, PC-Board, w/ Blue LCD Display
	ABA26800BCK2	Assembly, PC-Board, w/ Black LCD Display
3	AAA309EC2	Box, Junction
4	AAA175ABY16	Conductor, Ground Wire
5	AAA147VF3-FS4	Faceplate, see Note
6	AAA180KR1	Holder
7	AAA449CB2	Lens, Clear
8	NON7203M3-8-Z	Locknut, M3 Hexagon, w/ Lock Washer
9	NON7203M4-8-Z	Locknut, M4 Hexagon, w/ Lock Washer
10	72BX7	Nut, Speed
11	AAA124HE5	Screw, Tamper Resistant, Pan Head
12	AAA462AL3	Spacer
13	AAA655D2	Speaker

NOTE: Temporarily available finish is FS4 (brushed stainless steel, covers SS4 & MIL4) only. Ask Customer Service for a special order if you need another one.