

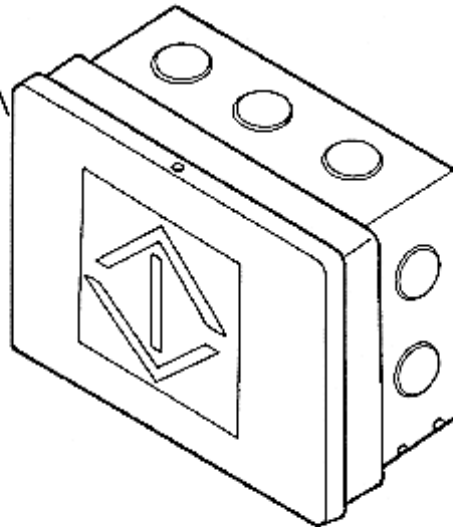
SPL 34-6646DS - Type 6646DS Hall Lantern

Unpublished Work - © Otis Elevator Company. Any unauthorized reproduction, disclosure, or distribution of copies or content by any person of any portion of this work may be a violation of Copyright Law of the United States of America. All rights reserved.

WAS C-3032A
August 1986

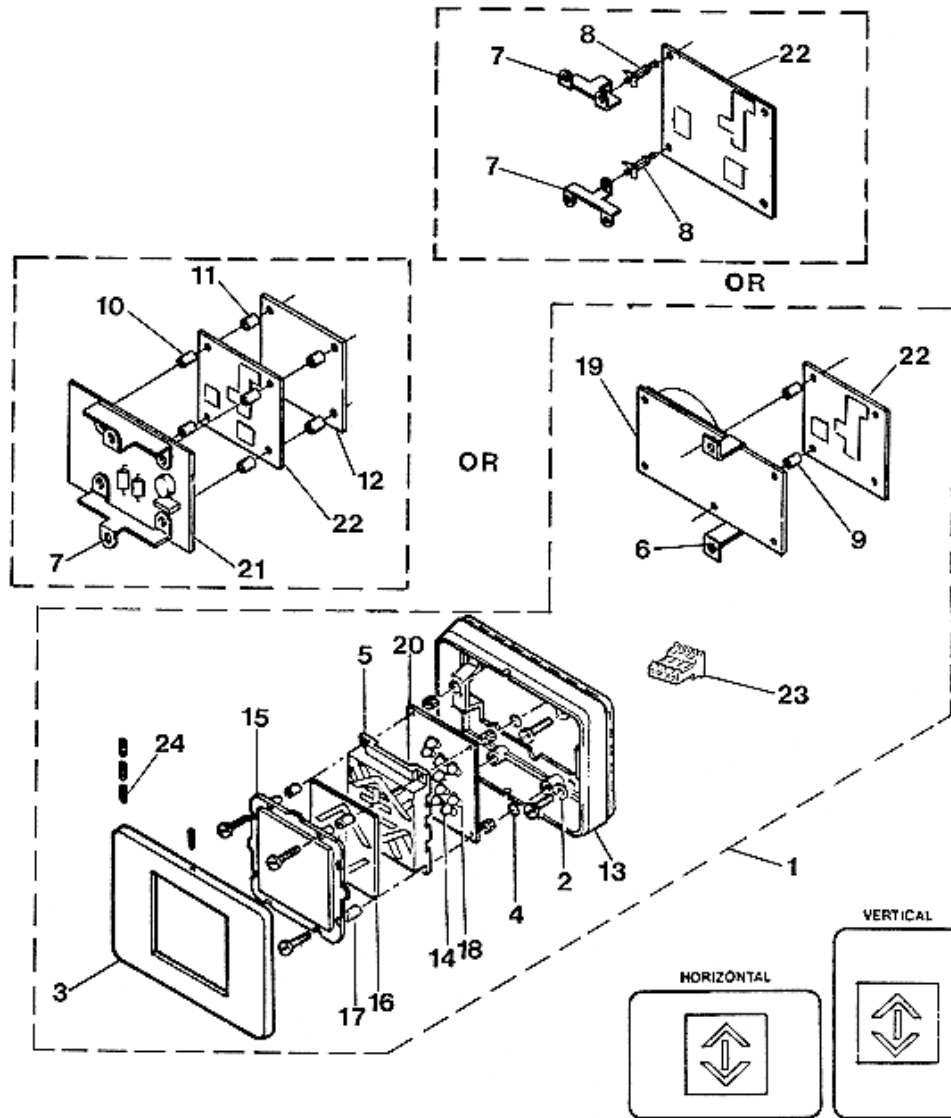
Page 1

34	6646DS	
Y	VINTAGE	Y 01
REV	EN	



SPL 34-6646DS - Type 6646DS Hall Lantern

Page 2 - Type 6646DS Hall Lantern Assembly



Without VINTAGE & VINTAGE Y 01				
PART OR ML				
6646DS- OR A6646DS		DESCRIPTION		
REF. NO.	Without GONG	With GONG	MOUNTING	FINISH
1	5	1	Horizontal	Stainless Steel
	7	3		Bronze
	6	2	Vertical	Stainless Steel
	8	4		Bronze
			Hall Lantern	

SPL 34-6646DS - Type 6646DS Hall Lantern

Page 3 - Type 6646DS Hall Lantern Assembly

Without VINTAGE & VINTAGE Y 01			
PART OR ML			
TYPE			
REF. NO.	6646DS	A6646DS	DESCRIPTION
2		131CN1	Washer
3		147SB1	Faceplate, Stainless Steel with Set Screws
		147SB2	Faceplate, Bronze with Set Screws
4		182H5	'O' Ring
5		278HA1	Reflector
6		283ACT1	Bracket for 8200BE1 Gong PC Board
7	316DLS1		Bracket for 8200HA1 Gong PC Board
		316DLS1	Bracket for Assembly without Gong PC Board
8		354CB1	Standoff for Assy. without 8200BE1 Gong PC Board
9		354CD5	Standoff for Assy. with 8200BE1 Gong PC Board
10	354CD9		Standoff, 1/2" Long
11	354CD16		Standoff, 5/16" Long
12	386BLD3		Plate
13		396JJ1	Housing
14		424R1	Lamp, 28V
15		443CC1	Lens, Green
16		449BH2	Diffuser
17		462GV2	Spacer (Vertical Mounting Only)
18		467AT1	Lamp Socket
19		8200BE1	Gong PC Board (NEW DESIGN)
20		8200GA1	Lantern PC Board
21	8200HA1		Gong PC Board (ORIGINAL DESIGN)
22		C8121BB1	Semi-Conductor Switch Module
23		P614AS1	Connector, 3-Circuits
24		VP-680730	Cone Point Set Screw