

Hall Lantern & Hall Position Indicators

Spare Parts Leaflet

34-6646CY

October 5, 2022 / Page 1 of 14

W/O
VINTAGE

34	A6646CY	
	VINTAGE	Y01

34	A6646DS	
	VINTAGE	Y01

34	A6646DT	
	VINTAGE	Y01

34 R - AA*6646ER

34 R - AA*6646ES

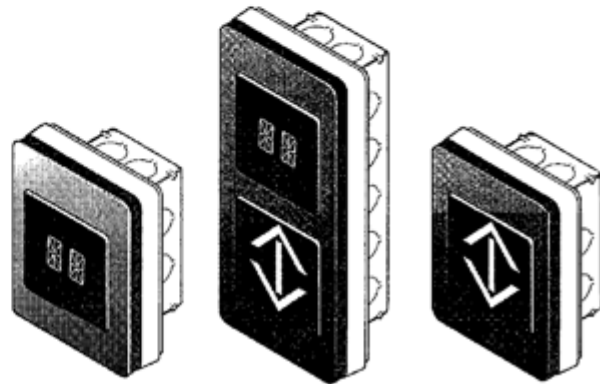
34 R - AA*6646EV

34 R - AA*6646EX

34 R - AA*6646EY

34 R - AA*6646FA

34 R - **AB***6646FA



OTIS

This document does not contain any technical data subject to EAR or ITAR

SERVICE ENGINEERING
Otis Elevator Company
Bloomfield, Connecticut USA

Unpublished Work—© Otis Elevator Co.; 2022

34-6646CY

History

Leaflet Description

These display assemblies are of the advanced fixture type. The significant difference among the types is the design of the faceplate employed and the use of buffer PC board for modular control.

Leaflet Revisions

Date Revised	Subject Matter Expert	Reason for Revision
April 1992	---	New leaflet
August 1997	---	Update parts and artwork
August 1998	Val Minnes	Add history page; refer to faceplate SPL; page 6 part number correction; add LED type lantern PC board
July 1, 2000	Stephen Karvazy	Update template
October 5, 2022	Vadzim Fedarenka	Updated: History page; image on p. 7; ORDER INFO. on pp. 3-6; part numbers and descriptions on pp. 7-10; Added item 4 on p. 7

Related Drawings

Drawing No.	Title	Drawing No.	Title
6646CY*	Elevonic 401 Hall Lantern, Hall Position Indicator, Combination	AAA6646ES**	Combination Hall Lantern/Position Indicator (HPI)
AAA6646EV**	Lantern/Position Indicator	AAA6646EX	Hall Lantern
6646DS*	Hall Lantern	AAA6646EY	Combination Hall Lantern/HPI
AAA6646ER**	Hall Lantern	AAA6646FA	Hall Lantern, HPI, Combination Hall Lantern & HPI w/o Faceplate
6646DT*	Combination Hall Lantern/Position Indicator, (faceplate secured from side)	ABA6646FA	Hall Lantern, HPI, Combination Hall Lantern & HPI w/o Faceplate

* Faceplate secured at sides with cone-point screws.

** Faceplate secured in front with tamper-resistant screws.

Related Documents

Document ID	Title
SPL 32-AAA147NX	Faceplate

Subject Matter Expert

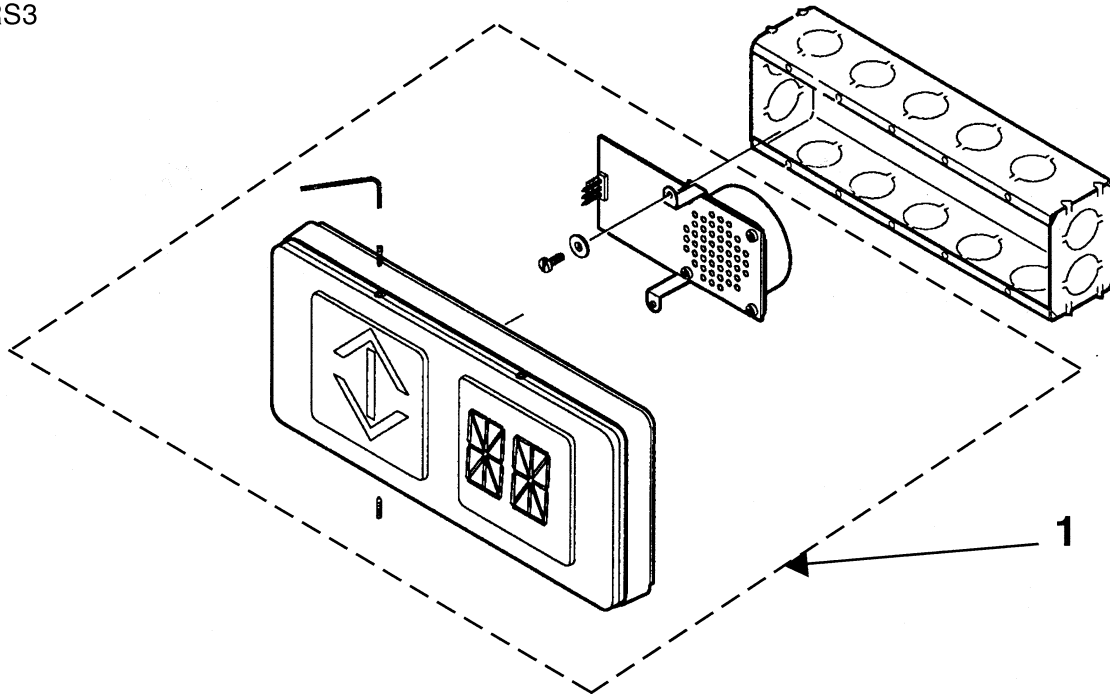
Name	Department
Vadzim Fedarenka	OSC Service Engineering

This Spare Parts Leaflet (SPL) is prepared to assist you in determining the Lowest Replaceable Units (LRU) supported by the Otis Service Center for the standard version of the product titled on the preceding page. The parts are chosen by Otis associates from: Engineering, Field Engineering, Service Engineering, and Manufacturing. We attempt to make part identification as easy as possible. The SPL, however, cannot be all inclusive. Elevator and escalator contracts classified as either "special" or "custom" are not addressed. Alternative sources of information such as: the Contract Folder, Technical Information Publications, Field Education Articles, Construction Letters, etc. may give the information you are after. You live in the real world of maintaining your elevator and escalator contracts. Daily, situations arise regarding parts identification and at times, for some reason, the part you need is not in the SPL. If you think a standard part not listed should be—let us know. We will respond.


Combination Hall Lantern/Position Indicator Horizontal Mounting

34-6646CY

Application:
Elevonic 401
MRS
LRS3



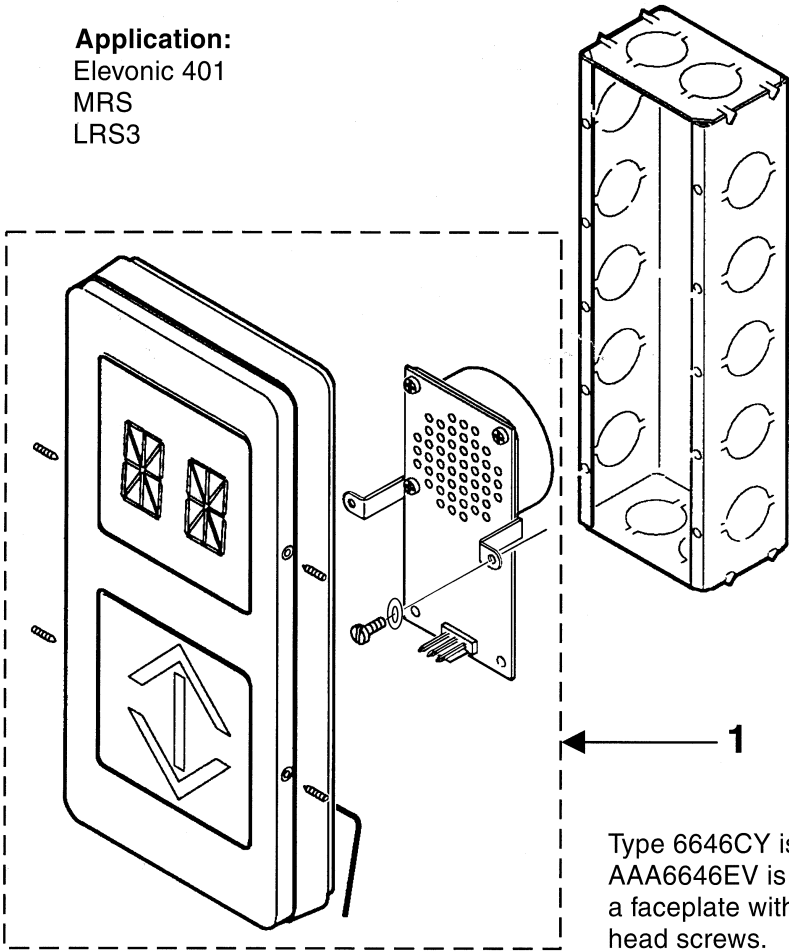
Type 6646CY is illustrated.
Type AAA6646EV is identical except for use of a faceplate with front mounted spanner head screws.

REF. NO. 1								
W/O VINTAGE & Y 01	AAA6646EV							
PART or ML	DESCRIPTION	FINISH	GONG BOARD	LENS COLOR	ORDER INFO.			
6646CY13	AAA6646EV13	St. Steel	w/o	Green	<table border="1"> <tr><td>ORDER</td></tr> <tr><td> </td></tr> <tr><td> </td></tr> </table> Type ABA6646FA  p. 7	ORDER		
ORDER								
6646CY14	AAA6646EV14	St. Steel	w/	Green				
6646CY17	AAA6646EV17	St. Steel	w/o	Red				
6646CY18	AAA6646EV18	St. Steel	w/	Red				
6646CY15	AAA6646EV15	Bronze	w/o	Green				
6646CY16	AAA6646EV16	Bronze	w/	Green				


34-6646CY

**Combination Hall Lantern/Position Indicator
Vertical Mount**

Application:
Elevonic 401
MRS
LRS3

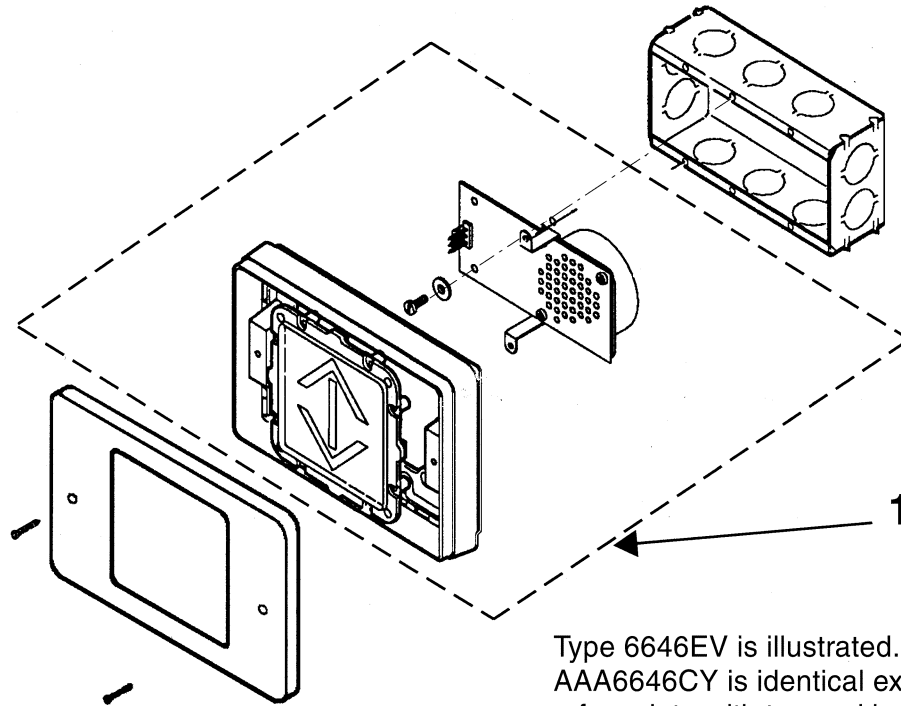


Type 6646CY is illustrated. Type AAA6646EV is identical except for use of a faceplate with front mounted spanner head screws.

REF. NO. 1									
W/O VINTAGE & Y 01	AAA6646EV								
PART or ML		DESCRIPTION	FINISH	GONG BOARD	LENS COLOR	ORDER INFO.			
6646CY19	AAA6646EV19	Combination Hall Lantern & Hall Position Indicator (Vertical Mount)	St. Steel	w/o	Red	<table border="1"> <tr><td>ORDER</td></tr> <tr><td> </td></tr> <tr><td> </td></tr> </table> Type ABA6646FA  p. 7	ORDER		
ORDER									
6646CY20	AAA6646EV20		St. Steel	w/	Red				
6646CY27	AAA6646EV27		St. Steel	w/o	Green				
6646CY28	AAA6646EV28	St. Steel	w/	Green					
6646CY29	AAA6646EV29	Bronze	w/o	Green					
6646CY30	AAA6646EV30	Bronze	w/	Green					

Type 6646CY & AAA6646EV Hall Lantern

34-6646CY



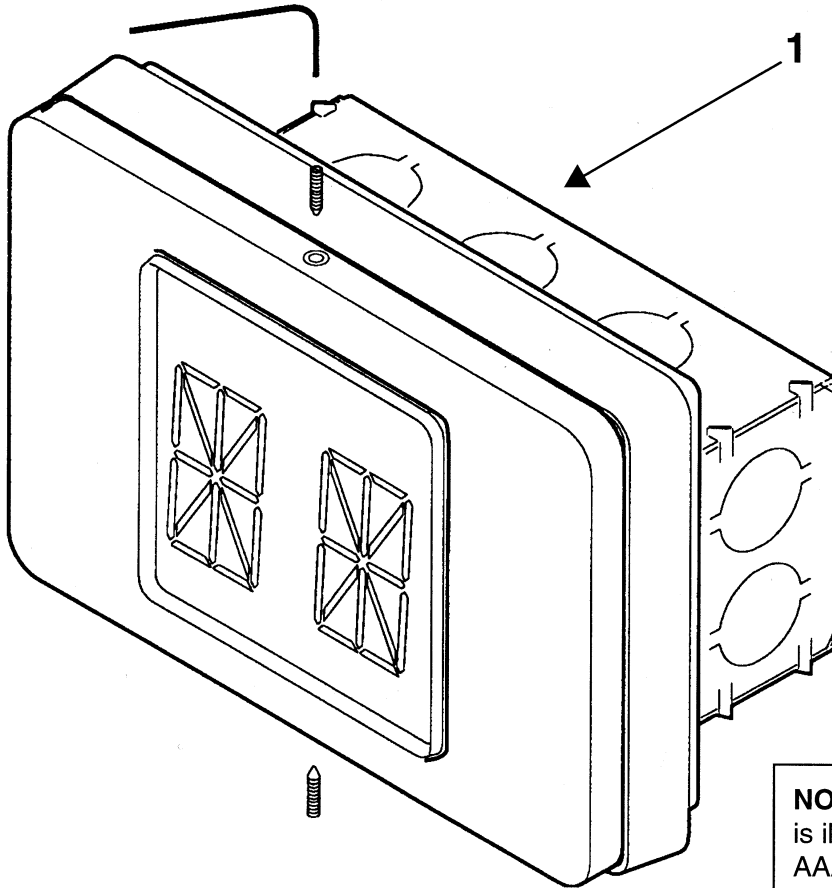
Type 6646EV is illustrated. Type AAA6646CY is identical except for use of a faceplate with top and bottom mounted cone point screws.

REF. NO. 1										
W/O VINTAGE & Y 01		AAA6646EV								
PART or ML		DESCRIPTION	MOUNT	FINISH	GONG BOARD	LENS COLOR	ORDER INFO.			
6646CY1	AAA6646EV1	Hall Lantern	Horiz.	St. Steel	w/o	Green	<table border="1"> <tr><td>ORDER</td></tr> <tr><td> </td></tr> <tr><td> </td></tr> </table> Type ABA6646FA  p. 7	ORDER		
ORDER										
6646CY2	AAA6646EV2		Horiz.	St. Steel	w/	Green				
6646CY3	AAA6646EV3		Horiz.	Bronze	w/o	Green				
6646CY4	AAA6646EV4		Horiz.	Bronze	w/	Green				
6646CY5	AAA6646EV5		Horiz.	St. Steel	w/o	Red				
6646CY6	AAA6646EV6		Horiz.	St. Steel	w/	Red				
6646CY7	AAA6646EV7		Vert.	St. Steel	w/o	Red				
6646CY8	AAA6646EV8		Vert.	St. Steel	w/	Red				
6646CY21	AAA6646EV21		Vert.	St. Steel	w/o	Green				
6646CY22	AAA6646EV22	Vert.	St. Steel	w/	Green					
6646CY23	AAA6646EV23	Vert.	Bronze	w/o	Green					
6646CY24	AAA6646EV24	Vert.	Bronze	w/	Green					


34-6646CY

Type 6646CY & AAA6646EV

Hall Position Indicator

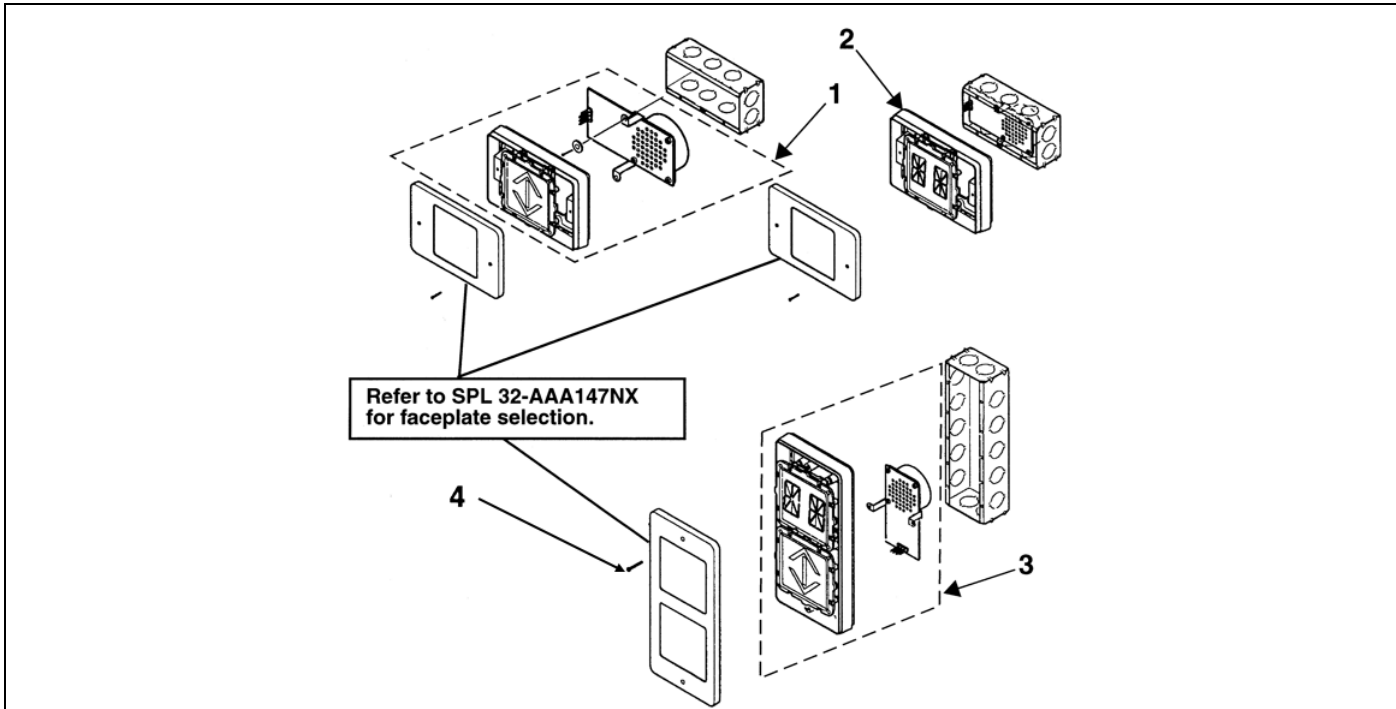


NOTE: Type 6646CY is illustrated. Type AAA6646EV is identical except for use of a faceplate with front mounted spanner head screws.

REF. NO. 1											
W/O VINTAGE & Y 01	AAA6646EV										
PART or ML	DESCRIPTION	MOUNT	FINISH	LENS COLOR	ORDER INFO.						
6646CY9	AAA6646EV9	Horiz.	St. Steel	Green	<table border="1"> <tr><td colspan="2">ORDER</td></tr> <tr><td> </td><td> </td></tr> <tr><td> </td><td> </td></tr> </table> <p>Type ABA6646FA</p>  p. 7	ORDER					
ORDER											
6646CY10	AAA6646EV10	Horiz.	Bronze	Green							
6646CY11	AAA6646EV11	Horiz.	St. Steel	Red							
6646CY12	AAA6646EV12	Vert.	St. Steel	Red							
6646CY25	AAA6646EV25	Vert.	St. Steel	Green							
6646CY26	AAA6646EV26	Vert.	Bronze	Green							

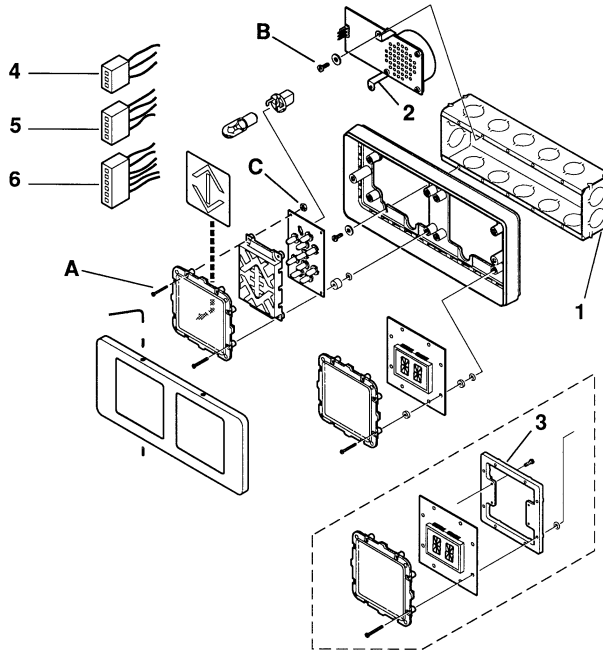
Type ABA6646FA Hall Lantern & Hall Position Indicator

34-6646CY



**VINTAGE Y 01
AA*6646EV
AAA6646FA
ABA6646FA**

REF. NO.	PART or ML	DESCRIPTION
1	AAA6646FA1 ABA6646FA1	Assembly, Hall Lantern, Horizontal Mounting, w/Gong PC Board and w/o Faceplate and Wall Box
	AAA6646FA2 ABA6646FA2	Assembly, Hall Lantern, Vertical Mounting, w/Gong PC Board and w/o Faceplate and Wall Box
2	AAA6646FA3 ABA6646FA3	Assembly, Position Indicator, Horizontal Mounting, and w/o Gong PC Board, Faceplate, and Wall Box
	AAA6646FA4 ABA6646FA4	Assembly, Position Indicator, Vertical Mounting, and w/o Gong PC Board, Faceplate, and Wall Box
3	AAA6646FA5 ABA6646FA5	Assembly, Combination Hall Lantern & Position Indicator, Horizontal Mounting, w/Gong PC Board and w/o Faceplate and Wall Box
	AAA6646FA6 ABA6646FA6	Assembly, Combination Hall Lantern & Position Indicator, Vertical Mounting, w/Gong PC Board and w/o Faceplate and Wall Box
4	124DK11	Screw, Spanner, Brushed Stainless Steel
	124DK12	Screw, Spanner, Brushed Brass
	124DK23	Screw, Spanner, Mirrored Stainless Steel
	124DK24	Screw, Spanner, Mirrored Brass

34-6646CY**Type 6646CY, AA*6646EV, & ABA6646FA****Hall Lantern/Position Indicator**

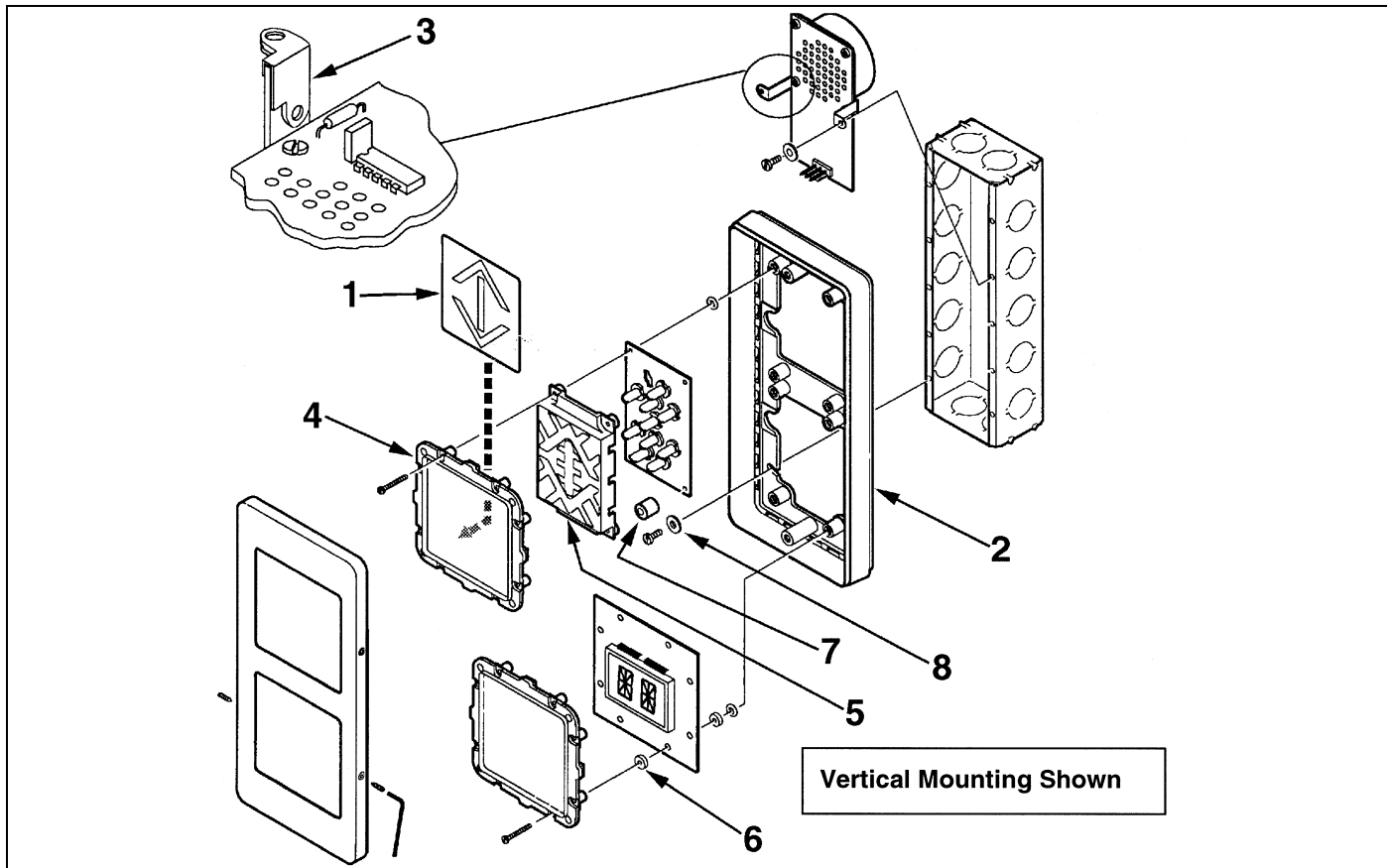
VINTAGE Y 01
AA*6646EV
AAA6646FA
ABA6646FA

Covers all serviceability changes.

REF. NO.	PART or ML	DESCRIPTION
1	309BN11	Box, Electrical, 3 Gang
	309BN12	Box, Electrical, 5 Gang
2	A283ACT1	Bracket, (for Gong PC Board)
3	316DMR1	Bracket, (W→ETO Hall Position Indicator only)
4	AAA447AC5	Connector, Feed-Thru, 3-Circuit
5	AAA447AC3	Connector, Feed-Thru, 4-Circuit
6	AAA00176AAD003	Connector, Feed-Thru, 6-Circuit
	AAA447AC57	
*	AAA447AC10	Cover, Strain Relief, for AAA447AC5 Connector
*	AAA447AC11	Cover, Strain Relief, for AAA447AC3 Connector
*	AAA447AC13	Cover, Strain Relief, for AAA447AC57 Connector
*	AAA174AMQ1	Cable, Power
A	Local Purchase	Screw, Pan Head Machine (DIN7985 M3X25)
B	Local Purchase	Screw, Pan Head Machine (SCMA PP6-32X1-1/2CP)
C	Local Purchase	Nut (DIN934 M3)

* Parts not shown

Hall Lantern/Position Indicator

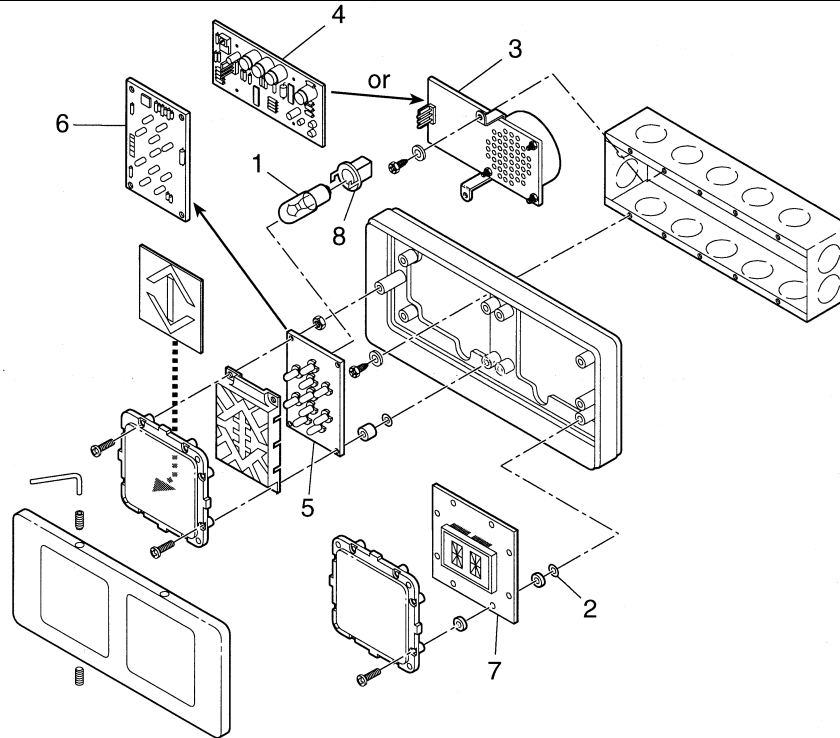


**VINTAGE Y 01
AA*6646EV
AAA6646FA
ABA6646FA**

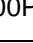



REF. NO.	PART or ML	DESCRIPTION
1	449BH2	Diffuser, Lantern
2	A396JL2	Housing, (for Combination Hall Lant. & Hall Pos. Ind.)
	A396JJ1	Housing, (for Hall Lantern or Hall Position Indicator)
3	AAA275CH1	Insulator, Bracket
4	443CC1	Lens, Gray
	443CC4	
	443CC2	
5	278HA1	Reflector
6	462GV1	Spacer, (for Position Indicator)
7	462GV2	Spacer, (W → Horizontal mounted lantern only)
8	131CN1	Washer

34-6646CY

**Type 6646CY, AA*6646EV, & AA*6646FA
ABA6646FA Hall Lantern/Position Indicator**



**VINTAGE Y 01
AA*6646EV
AAA6646FA
ABA6646FA**

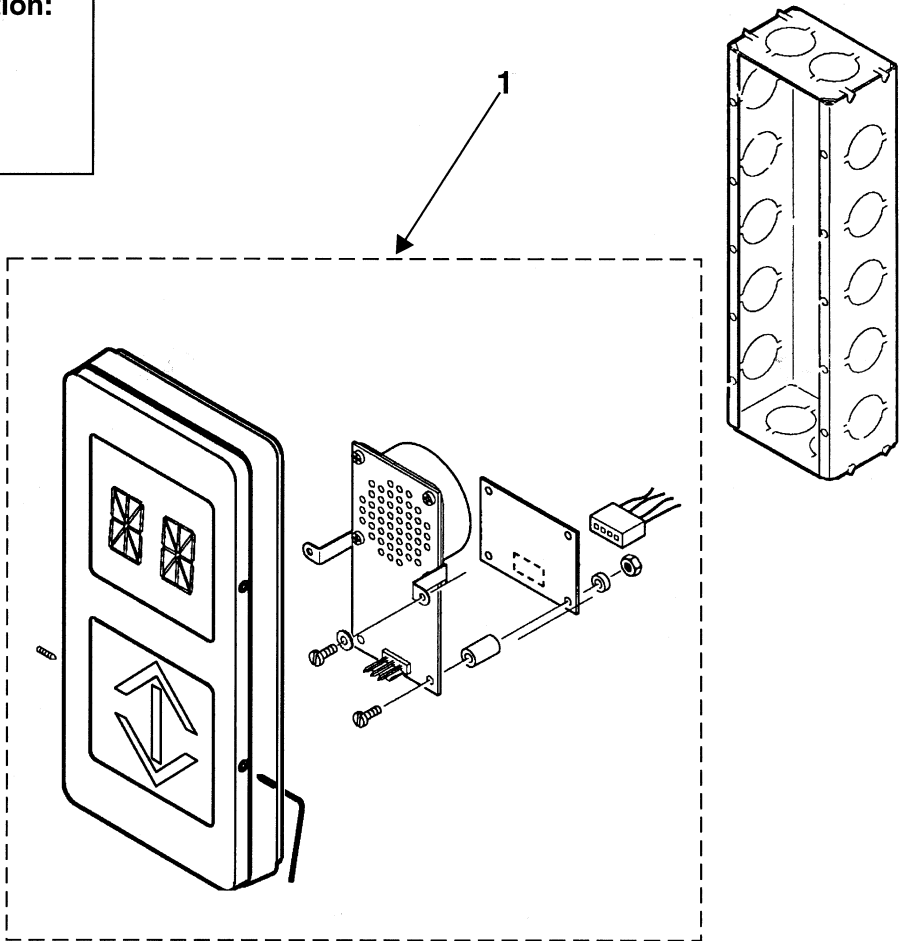
REF. NO.	PART or ML	DESCRIPTION
1	424R1	Lamp, 28V
2	182H5	O-Ring
3	A8200BE1	PC Board, Gong w/Chime Speaker (used in systems July 1984–Current)
4	A8200HA1	PC Board, Gong w/Audible Alarm (used in systems July 1981–June 1984)
5	8200GA1	PC Board, Lantern
6	ABA26800PL1	PC Board, Lantern, LED, Red Illumination,  443CC2 Red Lens
	ABA26800PL2 ACA26800ASQ1	PC Board, Lantern, LED, Green Illumination,  443CC4 Grey Lens
7	ACA26800HJ1 ACA26800AJX7	PC Board, Position Indicator, 
	FX9662AT	PC Board, Position Indicator, LED, 
8	467AT1	Socket, Lamp


Type A6646DT & AAA6646ES

34-6646CY

Hall Lantern/Position Indicator


Application:
 LRV
 LRV5L
 LRVH
 LRS3



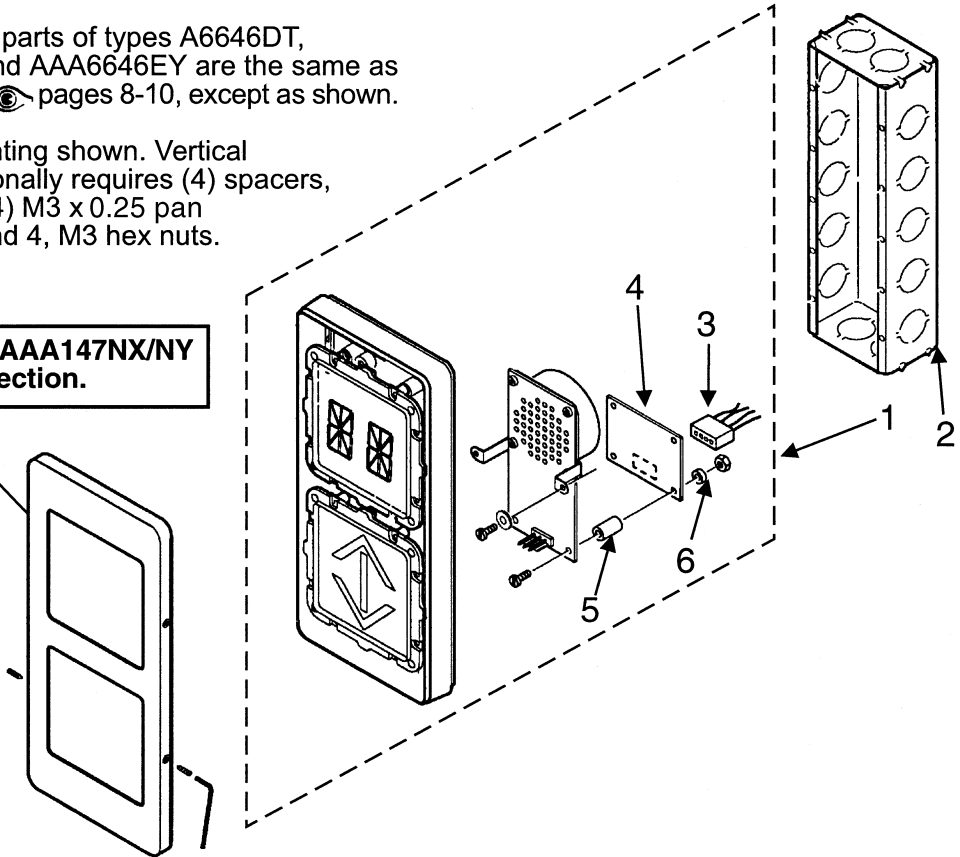
REF. NO. 1									
VINTAGE Y 01	AAA6646EV								
PART or ML	DESCRIPTION	MOUNT	FINISH	GONG BOARD	LENS COLOR	ORDER INFO.			
A6646DT1	AAA6646ES1	Horiz.	St. Steel	w/o	Green	<table border="1"> <tr><td>ORDER</td></tr> <tr><td> </td></tr> <tr><td> </td></tr> </table> Type AAA6646EY  p. 12	ORDER		
ORDER									
A6646DT2	AAA6646ES2	Horiz.	St. Steel	w	Green				
A6646DT3	AAA6646ES3	Horiz.	Bronze	w/o	Green				
A6646DT4	AAA6646ES4	Horiz.	Bronze	w	Green				
A6646DT5	AAA6646ES9	Vert.	St. Steel	w/o	Green				
A6646DT6	AAA6646ES10	Vert.	St. Steel	w	Green				
A6646DT7	AAA6646ES11	Vert.	Bronze	w/o	Green				
A6646DT8	AAA6646ES12	Vert.	Bronze	w	Green				

Hall Lantern/Position Indicator

NOTES:

1. The type AAA6646EY assembly replaces types A6646DT and AAA6646ES but comes less the faceplate and faceplate screws.
2. The component parts of types A6646DT, AAA6646ES, and AAA6646EY are the same as type 6646CY,  pages 8-10, except as shown.
3. Horizontal mounting shown. Vertical mounting additionally requires (4) spacers, P/N: 462GV2, (4) M3 x 0.25 pan head screws, and 4, M3 hex nuts.

Refer to SPL 32-AAA147NX/NY for faceplate selection.



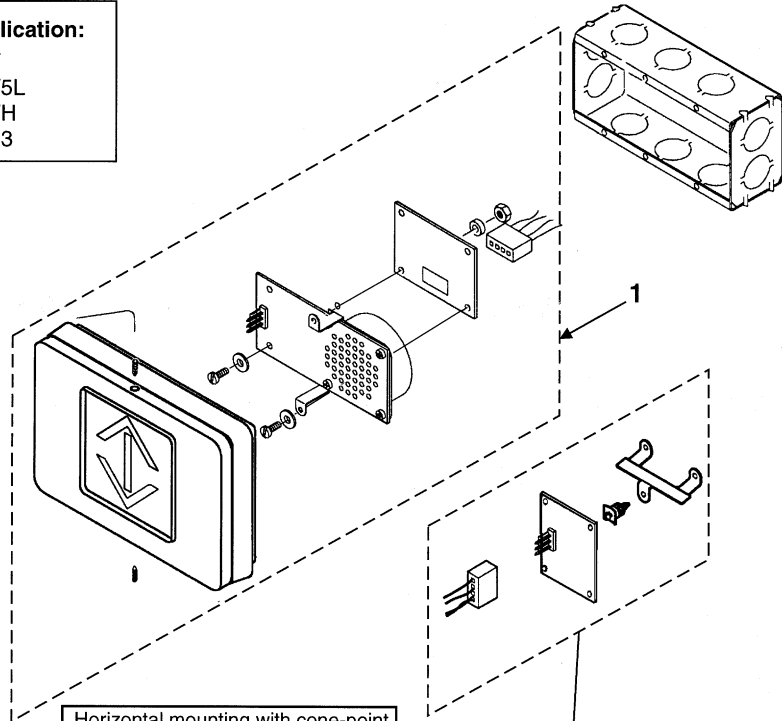
AAA6646EY		
REF. NO.	PART or ML	DESCRIPTION
1	AAA6646EY1	Assembly, Hall Lantern & Position Indicator, Horizontal Mounting W/O Faceplate and Screws
	AAA6646EY2	Assembly, Hall Lantern & Position Indicator, Vertical Mounting W/O Faceplate and Screws
2	309BN12	Box, Electrical
3	AAA447AC3	Connector, 4-Wire
4	C8121BB1	PC Board, Semi-Conductor
5	354CB1	Standoff
6	P129CN1	Washer, Nylon

Types A6646DS & AAA6646ER

34-6646CY


Hall Lantern

Application:
 LRV
 LRV5L
 LRVH
 LRS3




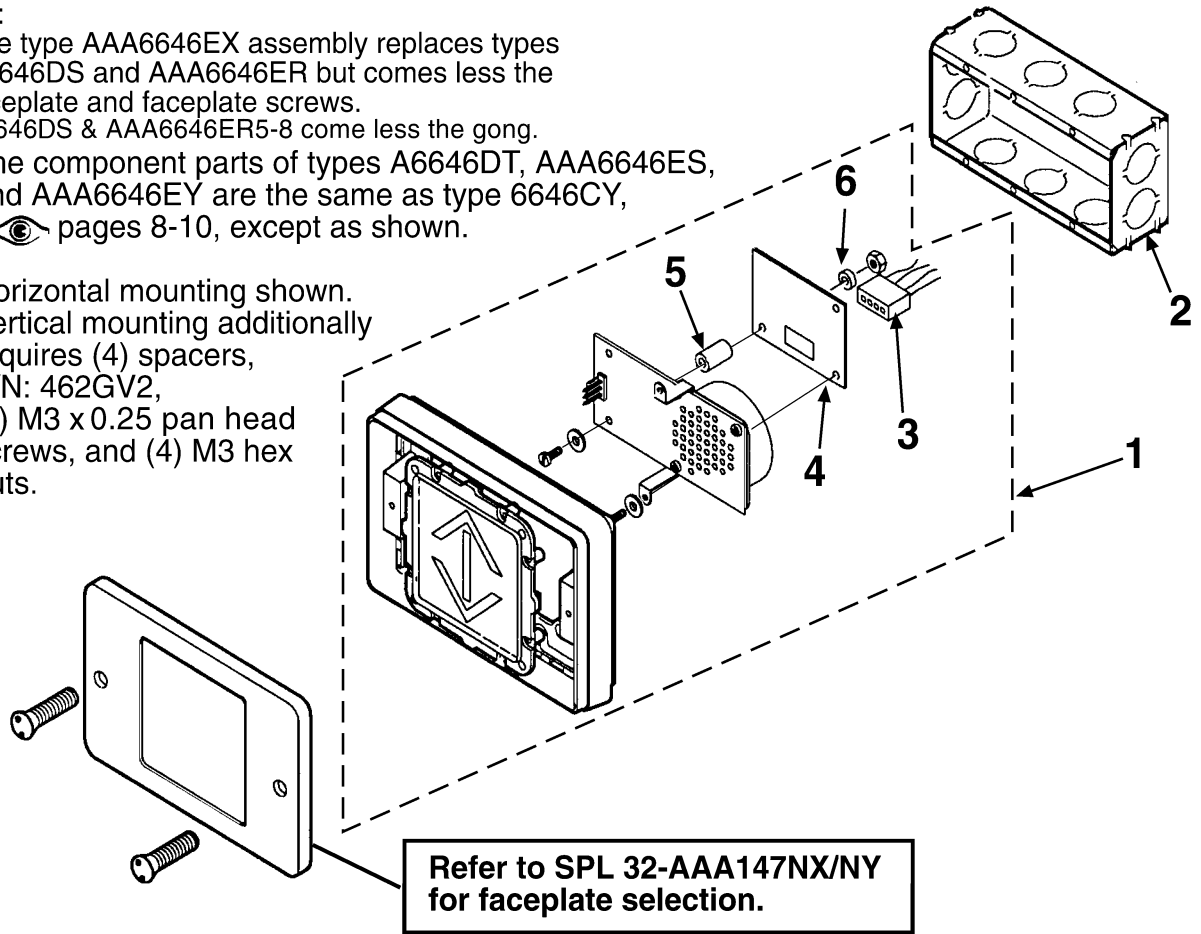
Horizontal mounting with cone-point type screws is shown.

The enclosed parts are assembled as shown for lantern arrangement w/o the gong PC board.

REF. NO. 1										
VINTAGE Y 01		AAA6646ER								
PART or ML		DESCRIPTION	MOUNT	FINISH	GONG BOARD	LENS COLOR	ORDER INFO.			
A6646DS1	AAA6646ER1	Combination Hall Lantern & Position Indicator w/ Faceplate	Horiz.	St. Steel	w	Green	<table border="1"> <tr><td>ORDER</td></tr> <tr><td> </td></tr> <tr><td> </td></tr> </table> Type AAA6646EX  p. 14	ORDER		
ORDER										
A6646DS2	AAA6646ER2		Vert.	St. Steel	w	Green				
A6646DS3	AAA6646ER3		Horiz.	Bronze	w	Green				
A6646DS4	AAA6646ER4		Vert.	Bronze	w	Green				
A6646DS5	AAA6646ER5		Horiz.	St. Steel	w/o	Green				
A6646DS6	AAA6646ER6	Vert.	St. Steel	w/o	Green					
A6646DS7	AAA6646ER7	Horiz.	Bronze	w/o	Green					
A6646DS8	AAA6646ER8	Vert.	Bronze	w/o	Green					

NOTES:

1. The type AAA6646EX assembly replaces types A6646DS and AAA6646ER but comes less the faceplate and faceplate screws.
A6646DS & AAA6646ER5-8 come less the gong.
2. The component parts of types A6646DT, AAA6646ES, and AAA6646EY are the same as type 6646CY,  pages 8-10, except as shown.
3. Horizontal mounting shown. Vertical mounting additionally requires (4) spacers, P/N: 462GV2, (4) M3 x 0.25 pan head screws, and (4) M3 hex nuts.



AAA6646EX		
REF. NO.	PART or ML	DESCRIPTION
1	AAA6646EX998	Assembly, Hall Lantern Vertical Mounting Less Faceplate
	AAA6646EX2	
	AAA6646EX999	Assembly, Hall Lantern Horizontal Mounting Less Faceplate
	AAA6646EX1	
2	309BN11	Box, Electrical, 3 Gang
3	AAA447AC3	Connector, 4-Wire
4	C8121BB1	PC Board, Semi-Conductor
5	354CD5	Standoff
6	P129CN1	Washer, Nylon