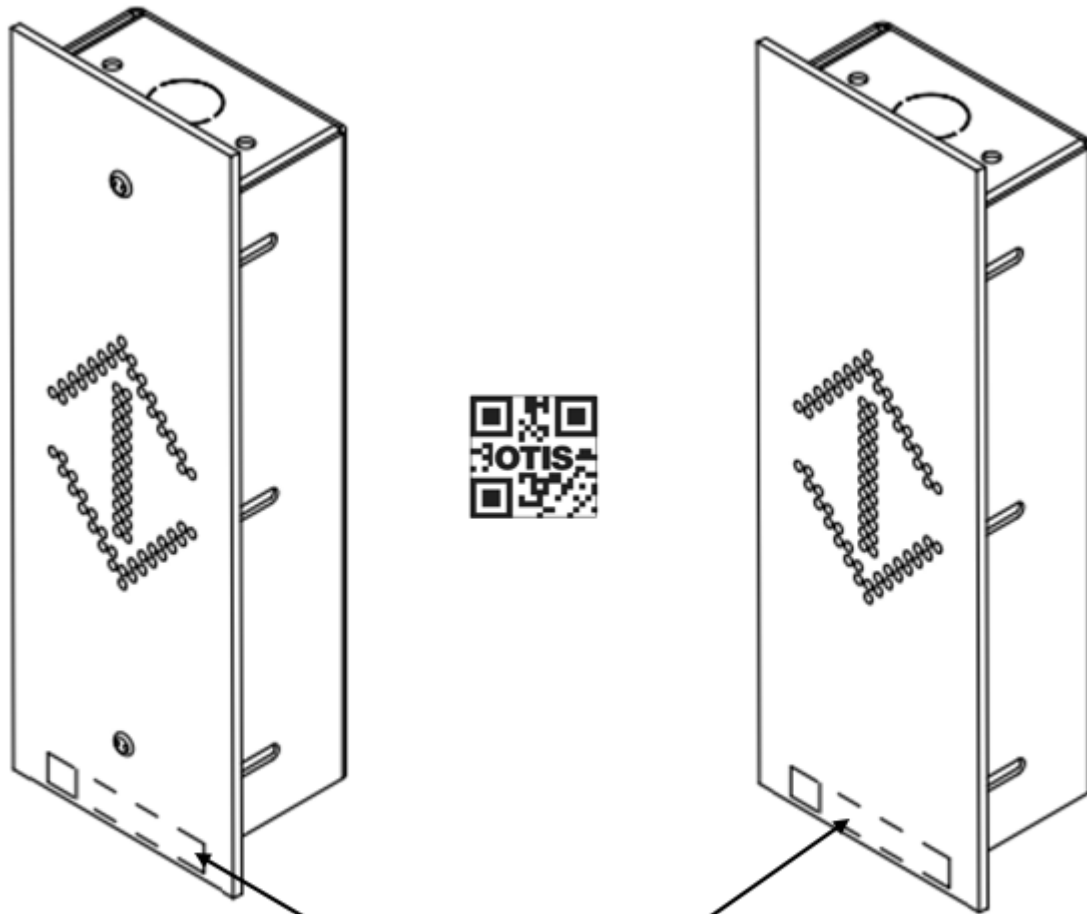


**In-Car-Lantern, Vandal-Resistant, RSL/CAN**

**Spare Parts Leaflet**

**33-AAA25170B**

**September 18, 2024 / Page 1 of 6**



**33 A-AAA25170B**



This document contains technical data  
subject to EAR, ECCN = EAR99

**SERVICE ENGINEERING**  
**Otis Elevator Company**  
**Bloomfield, Connecticut USA**

Unpublished Work—© Otis Elevator Co.; 2024

## Leaflet Description

This leaflet provides information for vandal-resistant in-car lanterns with new RSL/CAN select-a-color PC board with gong. The fixture is available with tamper resistant screws as well as bullet pins connection.

*Use your Otis iPhone and scan the QR code label on the fixture using the Support app to access related documentation.*

## Leaflet Revisions

Date Revised	Subject Matter Expert	Reason for Revision
September 18, 2024	Vadzim Fedarenka	New SPL

## Related Drawings

Drawing No.	Title	Drawing No.	Title
AAA25170B	In-Car Lantern		

## Related Documents

Document ID	Title

## Subject Matter Expert

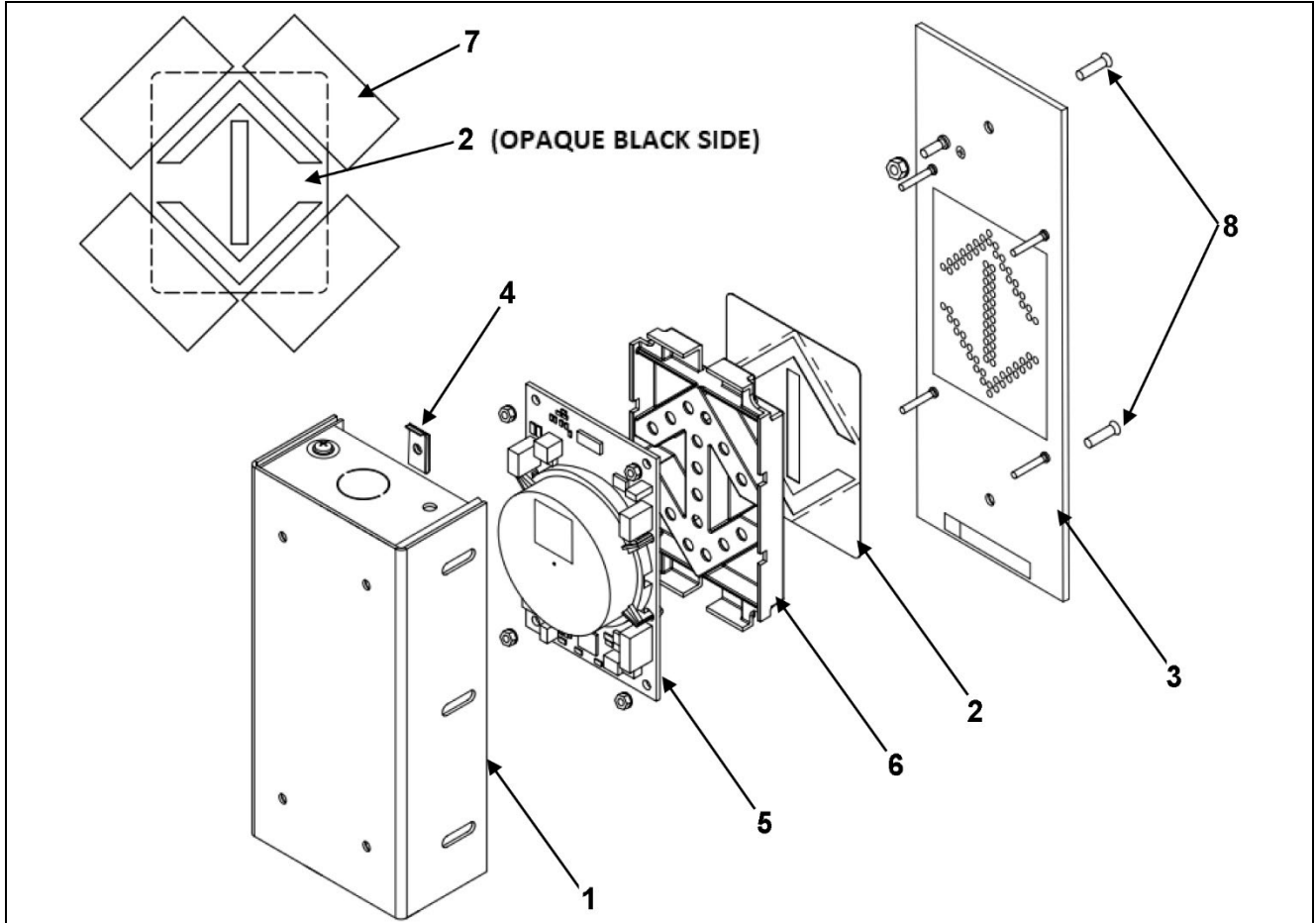
Name	Department
Ayush Desai / Vadzim Fedarenka	OSC Service Engineering

## About Spare Parts Leaflets...

This document lists the lowest replaceable units (LRUs) for the standard version of the product. The LRUs are chosen by a team of Otis associates representing engineering and manufacturing.

While goal of this document is to make parts identification as easy as possible, the document cannot be all-inclusive. Elevator and escalator contracts classified as “special” or “custom” are not addressed here. For such contracts, please refer to specified information, the contract folder, TIPs, Field Education Articles, Construction Letters, etc. for further information.

If you have any suggestions about this document, please contact the subject matter expert listed on this page.



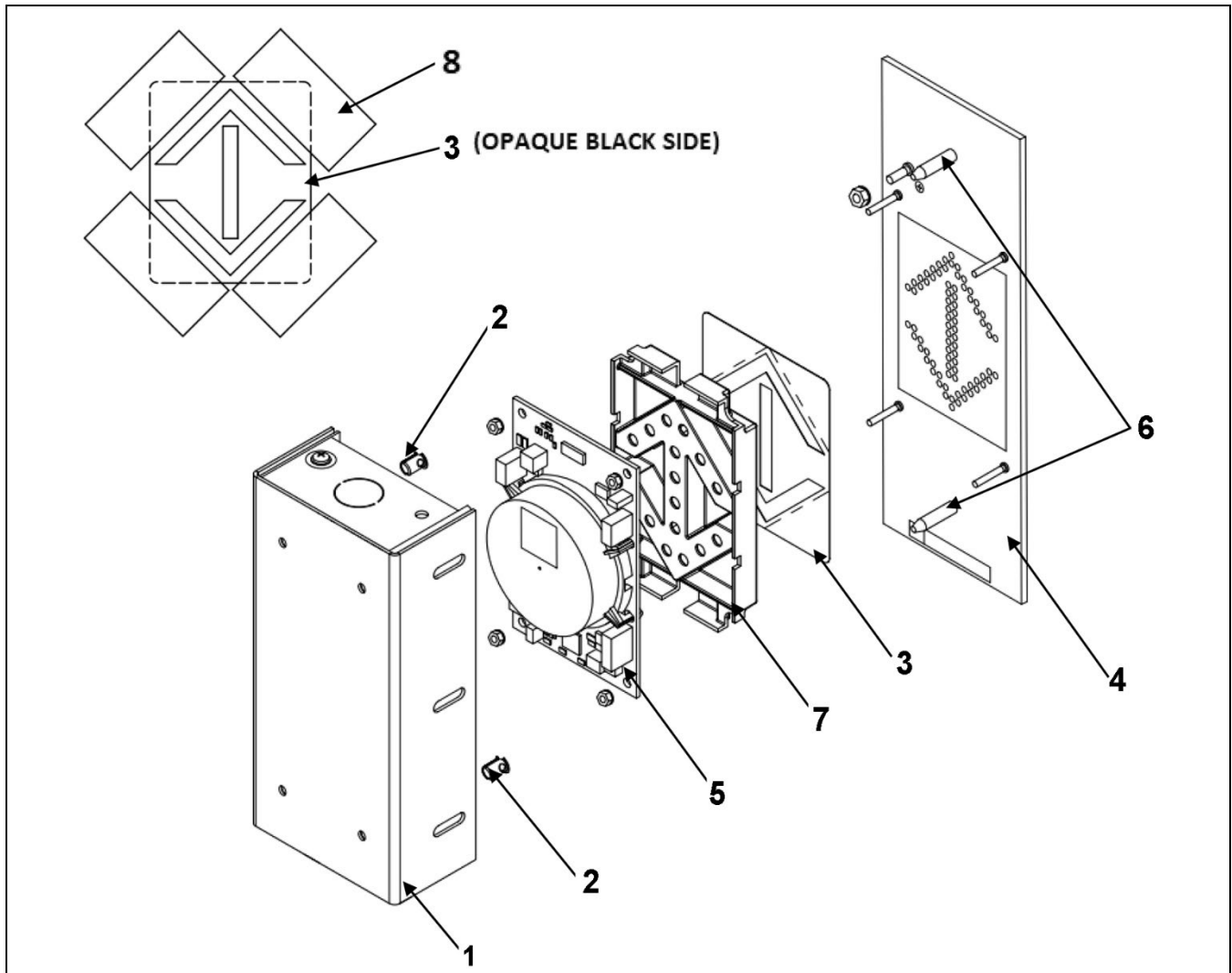
REF. No.	VINTAGE	DESCRIPTION
	PART No.	
1	A313CH28	Box
*	AAA174YL24	Cable, Adapter Harness, RSL/CAN
2	449BH1	Diffuser
3	AAA147SR4-...	Faceplate (see NOTE 1)
4	72BX7	Nut, Speed
5	AAA26800BAN1	PC-Board, RSL/CAN, w/Gong, Select-a-Color: <b>RED, BLUE, GREEN, WHITE</b>
6	AAA278ER1	Shield/Reflector
7	VP-892558	Tape, Adhesive ( <b>NOTE 2</b> : Field to cut to shape to mount diffuser [Ref. 2].)
8	124DK7	Screw, Tamper Resistant, 1 in. Length, FS4/SS4 Brushed Stainless Steel Finish
	124DK8	Screw, Tamper Resistant, 1 in. Length, BR7 Brushed Brass Finish
	124DK19	Screw, Tamper Resistant, 1 in. Length, SS8 Mirrored Stainless Steel Finish
	124DK20	Screw, Tamper Resistant, 1 in. Length, BR8 Mirrored Brass Finish

**NOTE 1:** Available Finishes: **FS4** - Otis #4, brushed stainless steel (covers requirements for older **SS4** and **MIL4** finishes), **SS8** - Otis #8, mirrored stainless steel, **BR7** – Otis #7, brushed brass, **BR8** – Otis #8, mirrored brass.

\* Not Shown

# AAA25170B2, Pin Connection

**33-AAA25170B**



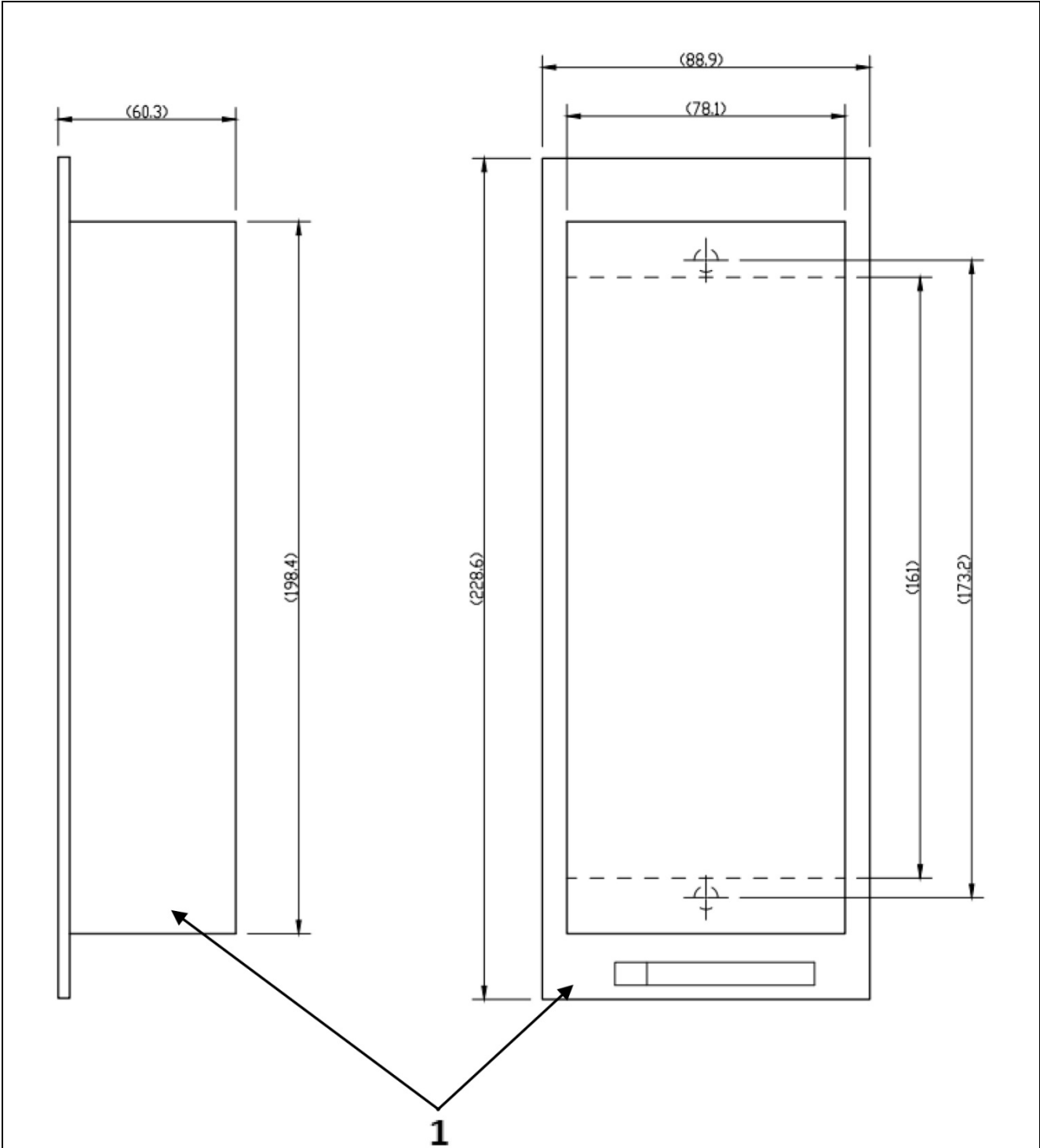
REF. No.	VINTAGE PART No.	DESCRIPTION
1	A313CH28	Box
*	AAA174YL24	Cable, Adapter Harness, RSL/CAN
2	AAA339QH1	Clip, Tabular
3	449BH1	Diffuser
4	AAA147SR6-...	Faceplate (see <b>NOTE 1</b> )
5	AAA26800BAN1	PC-Board, RSL/CAN, w/Gong, Select-a-Color: <b>RED, BLUE, GREEN, WHITE</b>
6	AAA81QP3	Pin, Guidepost
7	AAA278ER1	Shield/Reflector
8	VP-892558	Tape, Adhesive ( <b>NOTE 2</b> : Field to cut to shape to mount Diffuser [Ref. 3])

**NOTE 1:** Available Finishes: **FS4** - Otis #4, brushed stainless steel (covers requirements for older **SS4** and **MIL4** finishes), **SS8** - Otis #8, mirrored stainless steel, **BR7** - Otis #7, brushed brass, **BR8** - Otis #8, mirrored brass

\* Not Shown

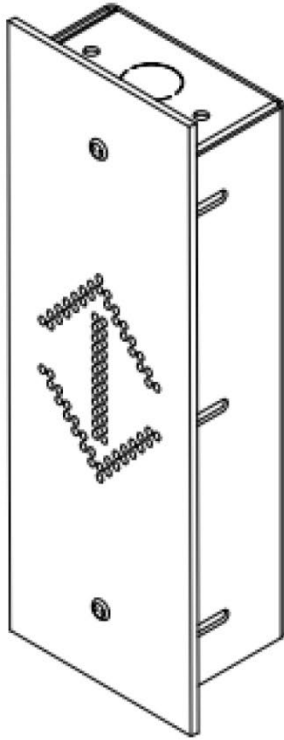
# Fixture Mounting Dimensions

**33-AAA25170B**

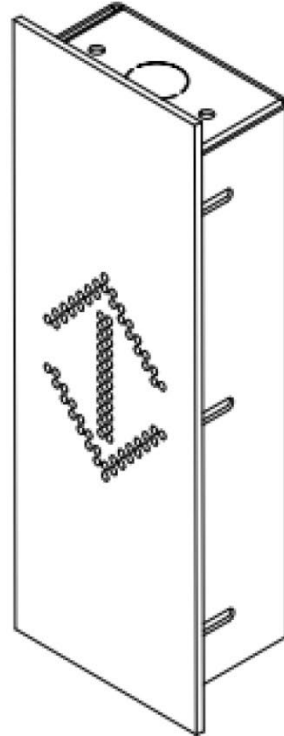


VINTAGE		
REF. No.	PART No.	DESCRIPTION
1	AAA25170B1	In-Car Lantern, Screws Connection (see NOTE)
	AAA25170B2	In-Car Lantern, Pins Connection (see NOTE)

**NOTE:** See ordering instructions on the next page



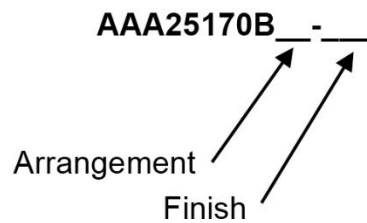
AAA25170B1



AAA25170B2

## AAA25170B ordering process:

When ordering, please, complete the part number with:



**Example:** AAA25170B2-BR7 – In-Car Lantern with Brushed Brass Finished faceplate and Tabular Pins connection.

### Available Finishes

- **FS4** – Otis #4, brushed stainless steel (covers requirements for older **SS4** and **MIL4** finishes)
- **SS8** – Otis #8, mirrored stainless steel
- **BR7** – Otis #7, brushed brass
- **BR8** – Otis #8, mirrored brass