

**Landing Fixture  
In-Car Lantern  
Assembly**

**Spare Parts Leaflet**

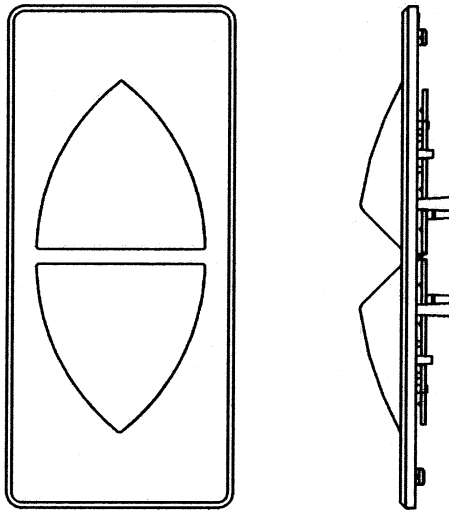
**33-AAA23550U**

**September 28, 2022 / Page 1 of 4**

# OBSOLESCENCE NOTICE

The product covered in this SPL has been designated as obsolete and is no longer supported. See TIP 32.2-1, *Obsolete Components*, for potential upgrade. Replacement lower-level parts listed within and unique to this design will be reviewed for obsolescence.

**33 M-AAA23550U**



**OTIS**

**SERVICE ENGINEERING**  
**Otis Elevator Company**  
**Bloomfield, Connecticut USA**

Unpublished Work—© Otis Elevator Co.; 2022

**Leaflet Description**

This leaflet provides spare parts information for type AAA23550U in-car landing fixtures.

**Leaflet Revisions**

<b>Date Revised</b>	<b>Subject Matter Expert</b>	<b>Reason for Revision</b>
August 25, 2003	Dennis Rehmer	New Leaflet
September 21, 2005	Joseph D. Zych	Updated ref. 2 on p. 3 to p/n AAA180HD1
May 16, 2007	Joseph Zych	Corrected vintage tag from 34-AAA23550U to 33-AAA23550U
February 17, 2010	Joseph Zych	Added vandal resistant face plate information on p. 4
December 19, 2012	Joseph Zych	Added p/n AAA72LY1 on p. 4
February 18, 2015	Joseph Zych	Corrected history page
September 28, 2022	Juan Murillo	Updated to include OBSOLESCENCE note on cover

**Related Drawings**

<b>Drawing No.</b>	<b>Title</b>
AAA23550U	Landing Fixture, In-Car Lantern Assembly
---	---

**Related Documents**

<b>Document ID</b>	<b>Title</b>
---	---

**Subject Matter Expert**

<b>Name</b>	<b>Department</b>
Vadzim Fedarenka	OSC Service Engineering

**About Spare Parts Leaflets...**

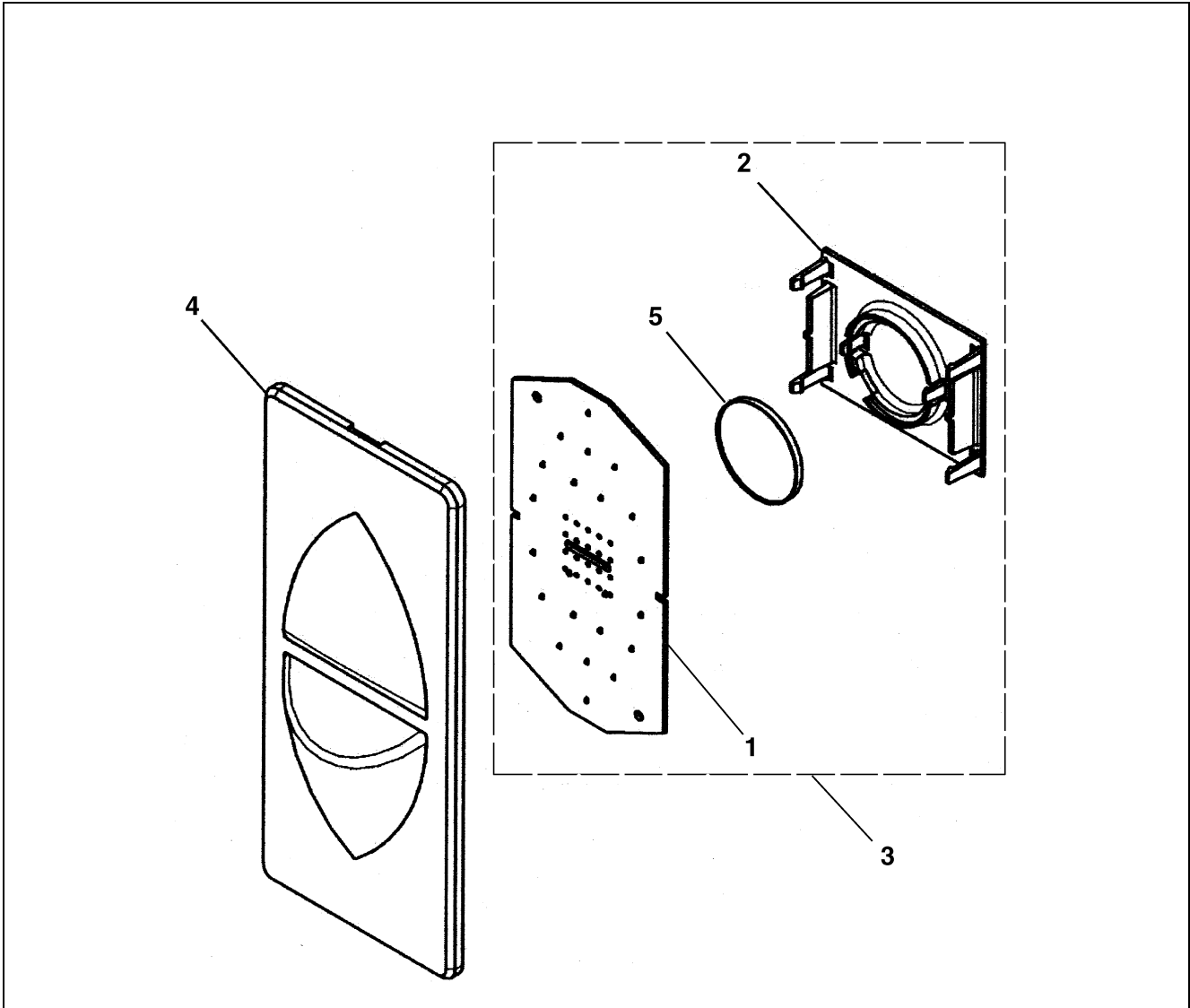
This document lists the lowest replaceable units (LRUs) for the standard version of the product. The LRUs are chosen by a team of Otis associates representing engineering and manufacturing.

While goal of this document is to make parts identification as easy as possible, the document cannot be all-inclusive. Elevator and escalator contracts classified as "special" or "custom" are not addressed here. For such contracts, please refer to specified information, the contract folder, TIPs, Field Education Articles, Construction Letters, etc. for further information.

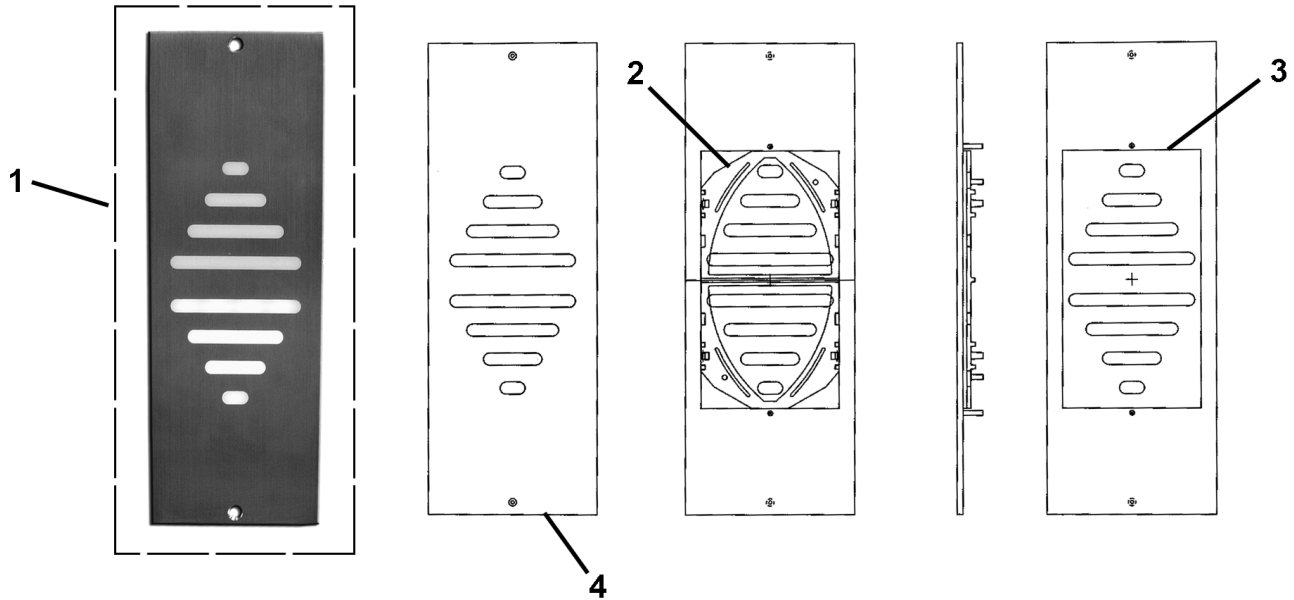
If you have any suggestions about this document, please contact the subject matter expert listed on this page.

# In-Car Lantern Components

**33-AAA23550U**



<b>AAA23550U</b>		
<b>REF. No.</b>	<b>PART No.</b>	<b>DESCRIPTION</b>
1	ABA26800AGL1	Board, Electronic Printed Circuit (RSL lantern)
	AAA26800AKN1	Board, Electronic Printed Circuit (discrete lantern)
2	AAA180HD1	Holder
3	AAA23550U500	Kit, Board with Transducer (Ref. 5) and Holder (Ref. 2), for RSL
	AAA23550U501	Kit, Board with Transducer (Ref. 5) and Holder (Ref. 2), for Discrete
4	AAA443ET4	Lens (used only for stainless steel mirror and brushed returns)
	AAA443ET6	Lens (used only for brass mirror and brushed returns)
5	AAA655D1	Transducer, Communications

**33-AAA23550U****Vandal Resistant Face Plate****AAA23550AC**

<b>REF. No.</b>	<b>PART No.</b>	<b>DESCRIPTION</b>
1	AAA23550AC1	Assembly, Vandal Resistant Face Plate (Ref. 4) and Lens (Ref. 3), Series 5 (available in SS4 finish only)
2	AAA180HH1	Holder, Hall Lantern
3	AAA443FR1	Lens
---	AAA72LY1	Nut, Self Clinching (required 7/32 in. hole)
---	72CE1	Nut, Speed
4	AAA147SR1	Plate, Face (SS4 finish)
---	124DK41	Screw, Vandal Resistant, Oval Head (SS4 finish)