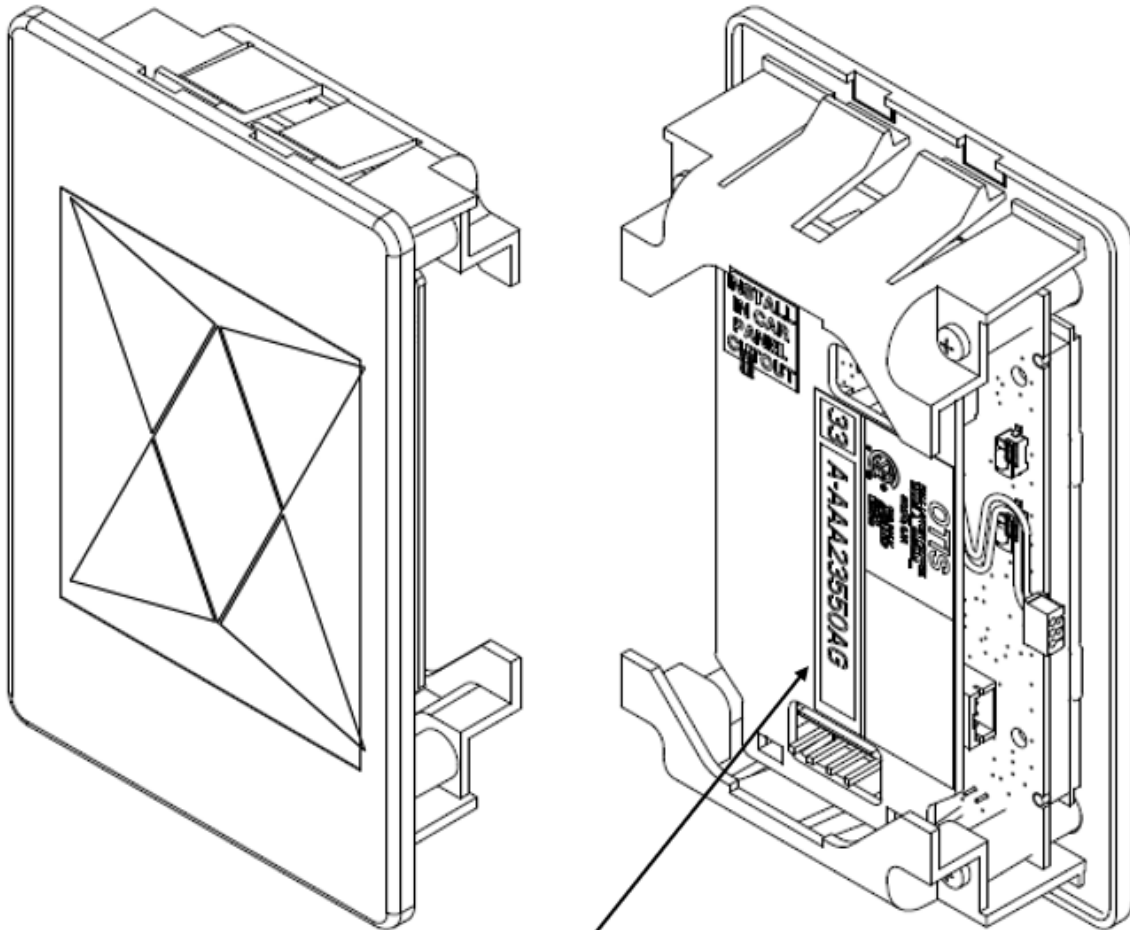


**Fixture,  
Advanced & Modular,  
In-Car Lantern**

**Spare Parts Leaflet**

**33-AAA23550AG**

October 9, 2024/ Page 1 of 3



**OTIS**

This document does not contain any technical data subject to EAR or ITAR

**SERVICE ENGINEERING**

**Otis Elevator Company**

**Bloomfield, Connecticut USA**

Unpublished Work—© Otis Elevator Co.; 2024

# History

**33-AAA23550AG**

## Leaflet Description

This spare parts leaflet lists the lowest replaceable units for Modular In-Car Lantern display assembly for GEN3 PEAK and GEN3 Edge machines. Used with AAA23550AH hall lantern and AAA23600AQ hall combo.

## Leaflet Revisions

Date Revised	Subject Matter Expert	Reason for Revision
November 24, 2021	Sathyaraj Sellapandi and Vadzim Fedarenka	New SPL
December 20, 2023	Vadzim Fedarenka	Removed AAA23550AG2 & ABA26800BCK2, as unavailable.
October 9, 2024	Vadzim Fedarenka	Added AAA23550AG2 to Ref. 1 & ABA26800BCK2 to Ref. 2 on p. 3.

## Related Drawings

Drawing No.	Title	Drawing No.	Title
AAA23550AG	In-Car Lantern Assembly	---	---

## Related Documents

Document ID	Title
34-AAA23550AH	Hall Lantern Assembly
34-AAA23600AQ	Hall Position Assembly / HPI, Combo Display

## Subject Matter Expert

Name	Department
Aayush Desai & Vadzim Fedarenka	OSC Service Engineering

## About Spare Parts Leaflets...

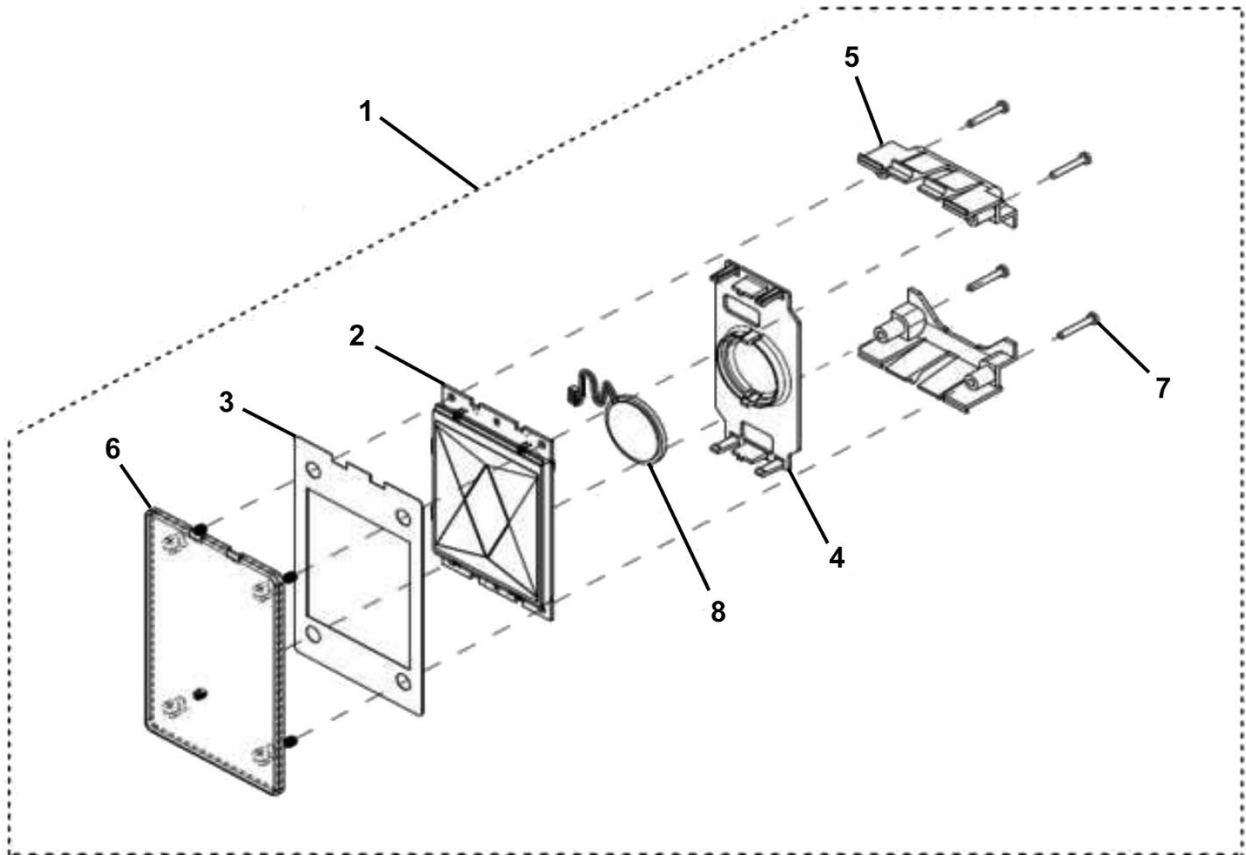
This document lists the lowest replaceable units (LRUs) for the standard version of the product. The LRUs are chosen by a team of Otis's associates representing engineering and manufacturing.

While goal of this document is to make parts identification as easy as possible, the document cannot be all-inclusive. Elevator and escalator contracts classified as "special" or "custom" are not addressed here. For such contracts, please refer to specified information, the contract folder, TIPs, Field Education Articles, Construction Letters, etc. for further information.

If you have any suggestions about this document, please contact the subject matter expert listed on this page.

# Modular In-Car Lantern

**33-AAA23550AG**



AAA23550AG		
REF. No.	PART No.	DESCRIPTION
1	AAA23550AG1	Assembly, Hall Lantern / In-Car Lantern, w/Blue LCD Display
	AAA23550AG2	Assembly, Hall Lantern / In-Car Lantern, w/Black LCD Display
2	ABA26800BCK1	Assembly, PC-Board, w/Blue LCD Display
	ABA26800BCK2	Assembly, PC-Board, w/Black LCD Display
3	AAA449CD1	Diffuser, Lantern
4	AAA180KR1	Holder
5	AAA396MW2	Housing, Clip Retainer
6	AAA443GQ2	Lens, Grey
7	ISO7045M3X20H_4_8Z	Screw, Cross Recessed, Pan Head, M3 X 20
8	AAA655D2	Speaker