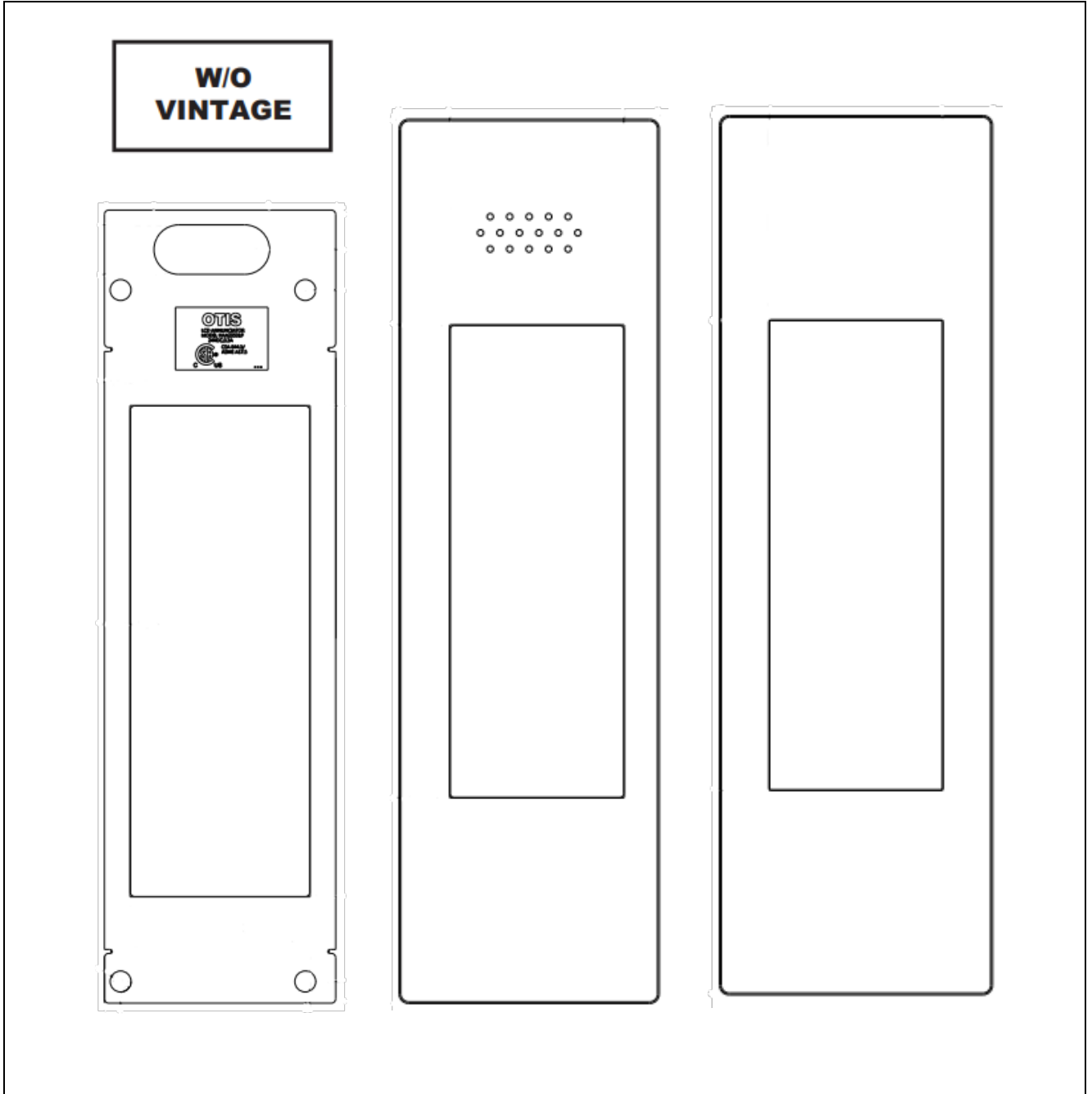


**Compass 6.2" LCD  
Annunciator**  
**Compass 6.2" LCD 目的停站  
指示器**

**Spare Parts Leaflet**

**32-HAA29501P**

**March 19, 2025 / Page 1 of 6**



This document does not contain any technical data subject to EAR or ITAR

**SERVICE ENGINEERING**  
**Otis Elevator Company**  
**Bloomfield, Connecticut USA**

Unpublished Work—© Otis Elevator Co.; 2024

**Leaflet Description**

This leaflet provides information for new Compass 6.2" LCD Annunciator / Compass 6.2" LCD 目的停站指示器.

Requirements: Rated Voltage - 24VDC, Display Size - 6.2" LCD, Resolution - 1280\*480 Pixels, Operating Temperature 0-45°C (18-113F), Useful Life – 50,000h / DC24V, 6.2英寸, 分辨率1280\*480, 工作温度0~45°C, 寿命50000h.

Code & Standard & Certification requirements: EN 81-70:2018, ASME A17.1-2019/CSA B44-19, 2019 California Building Code, NFPA 70-2020, ANSI ICC A117.7-2017, CSA Certified.

**Leaflet Revisions**

<b>Date Revised</b>	<b>Subject Matter Expert</b>	<b>Reason for Revision</b>
July 24, 2023	Li Guowei	New SPL (CNT2300383)
December 28, 2023	Li Guowei	Added parts Ref. No 4-12 (CNT2301239)
March 19, 2025	Vadzim Fedarenka	Re-organized SPL to standard form. Removed finishes from parts on p. 3 (HAA29501P1, _4, _7, _10)

**Related Drawings**

<b>Drawing No.</b>	<b>Title</b>	<b>Drawing No.</b>	<b>Title</b>
HAA29501P	6.2" LCD Annunciator 6.2寸 LCD 目的停站指示器		

**Related Documents**

<b>Document ID</b>	<b>Title</b>

**Subject Matter Expert**

<b>Name</b>	<b>Department</b>
Vadzim Fedarenka & Aayush Desai	OSC Service Engineering

**About Spare Parts Leaflets...**

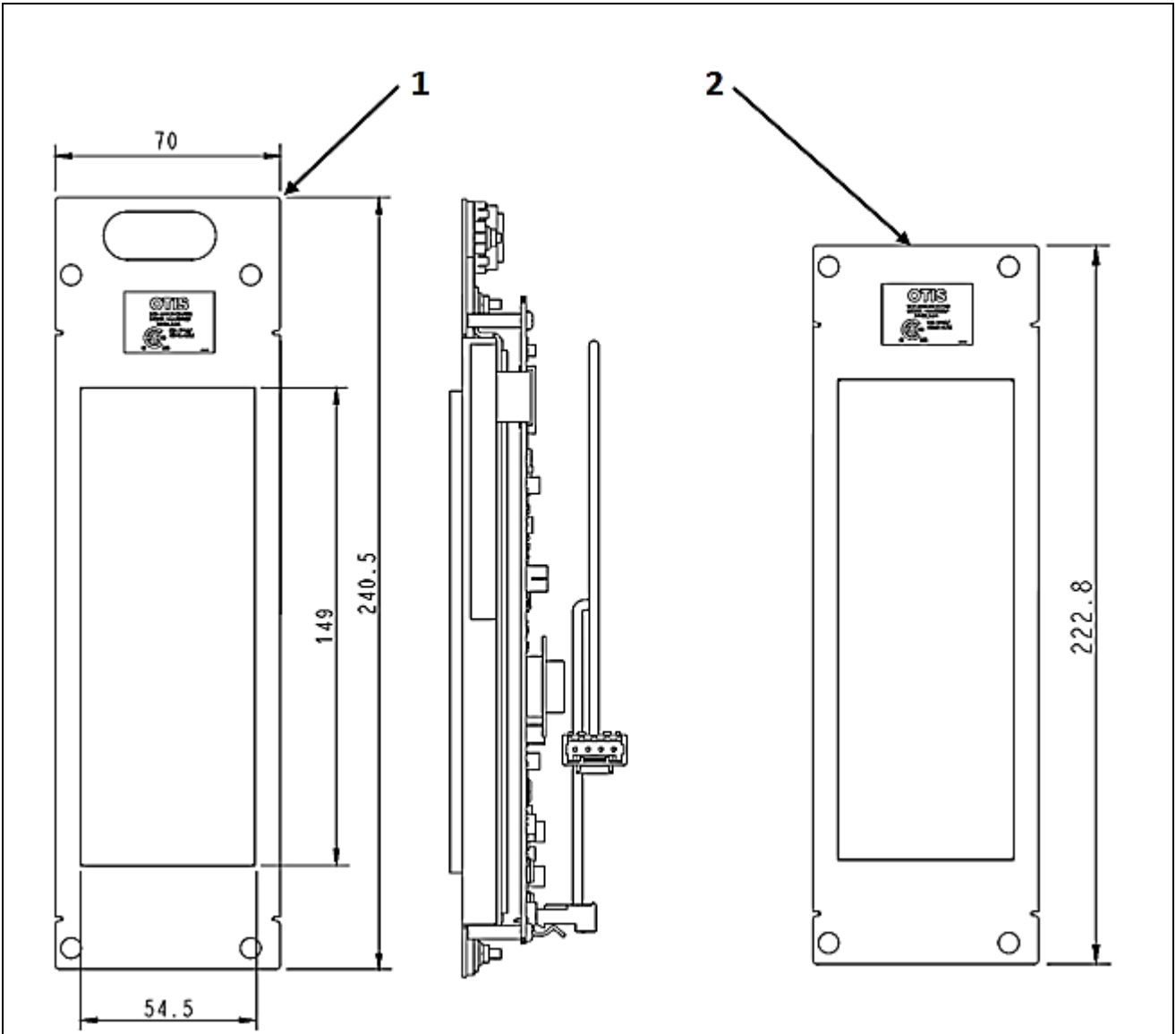
This document lists the lowest replaceable units (LRUs) for the standard version of the product. The LRUs are chosen by a team of Otis associates representing engineering and manufacturing.

While goal of this document is to make parts identification as easy as possible, the document cannot be all-inclusive. Elevator and escalator contracts classified as "special" or "custom" are not addressed here. For such contracts, please refer to specified information, the contract folder, TIPs, Field Education Articles, Construction Letters, etc. for further information.

If you have any suggestions about this document, please contact the subject matter expert listed on this page.

# Behind Jamb 6.2" Compass Annunciators

**32-HAA29501P**

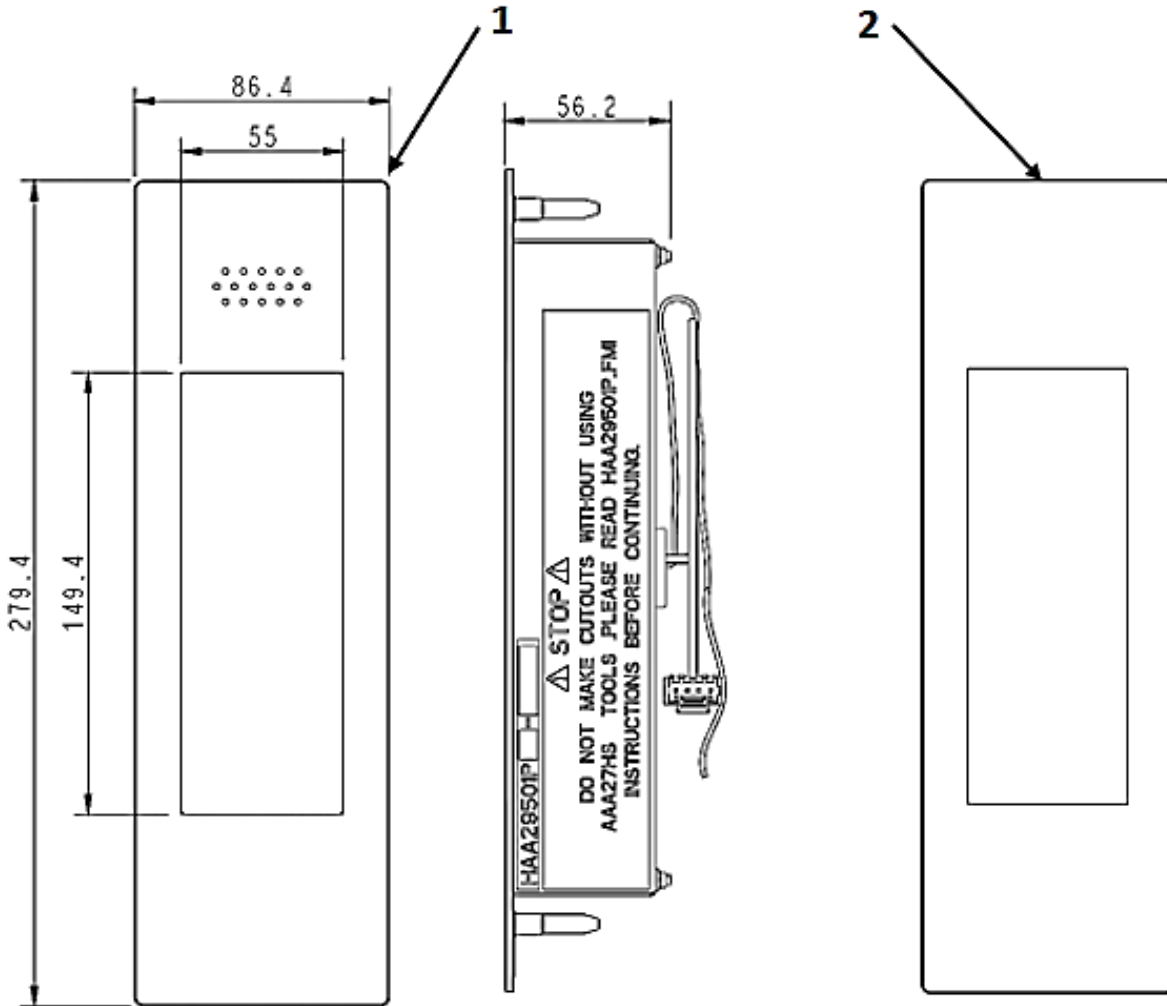


		W/O VINTAGE
REF. No.	PART No.	DESCRIPTION
1	HAA29501P1	6.2" LCD Annunciator, Behind Jamb, w/Speaker, RSL
	HAA29501P4	6.2" LCD Annunciator, Behind Jamb, w/Speaker, CAN
2	HAA29501P7	6.2" LCD Annunciator, Behind Jamb, w/o Speaker, RSL, <b>Note 1</b>
	HAA29501P10	6.2" LCD Annunciator, Behind Jamb, w/o Speaker, CAN, <b>Note 1</b>

**Note 1:** All dimensions are the same as for ref. no. 1 except as shown.

**32-HAA29501P**

# Flat Jamb 6.2" Compass Annunciators



		<b>W/O VINTAGE</b>
<b>REF. No.</b>	<b>PART No.</b>	<b>DESCRIPTION</b>
1	HAA29501P2-*	6.2" LCD Annunciator, Flat Jamb, w/Speaker, RSL
	HAA29501P5-*	6.2" LCD Annunciator, Flat Jamb, w/Speaker, CAN
2	HAA29501P8-*	6.2" LCD Annunciator, Flat Jamb, w/o Speaker, RSL, <b>Note 1</b>
	HAA29501P11-*	6.2" LCD Annunciator, Flat Jamb, w/o Speaker, CAN, <b>Note 1</b>

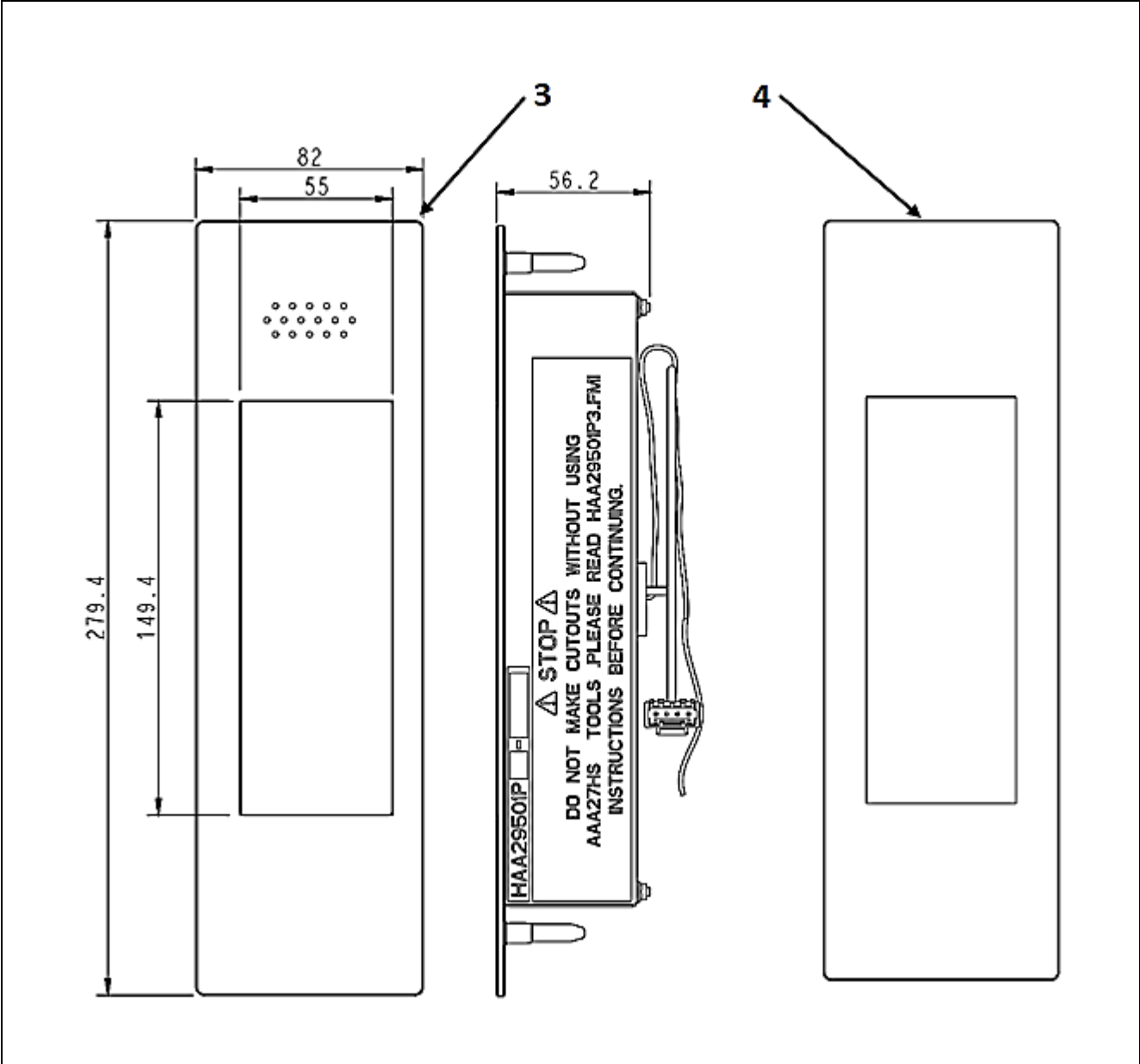
\*-See available finishes on p. 6.

**Note 1:** All dimensions are the same as for ref. no. 1.

*To be continued*

# Flat Jamb 6.2" Compass Annunciators (continued)

**32-HAA29501P**



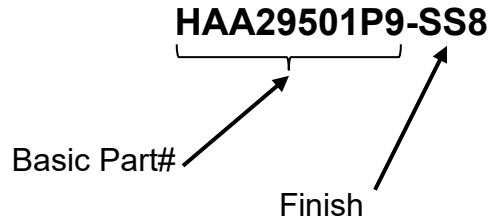
		W/O VINTAGE
REF. No.	PART No.	DESCRIPTION
3	HAA29501P3-*	6.2" LCD Annunciator, Flat Jamb, w/Speaker, RSL
	HAA29501P6-*	6.2" LCD Annunciator, Flat Jamb, w/Speaker, CAN
4	HAA29501P9-*	6.2" LCD Annunciator, Flat Jamb, w/o Speaker, RSL, <b>Note 1</b>
	HAA29501P12-*	6.2" LCD Annunciator, Flat Jamb, w/o Speaker, CAN, <b>Note 1</b>

\*-See available finishes on p. 6.

**Note 1:** All dimensions are the same as for ref. no. 1.

When ordering, you need to complete part number with required finish:

**Example:**



\* - Applicable with HAA29501P2, 3, 5, 6, 8, 9, 11, 12 only

\*\* - The available finishes: FS4/SS4 Brushed Stainless Steel; SS8 – Mirrored Stainless Steel; BR7 – Brushed Brass; BR8 – Mirrored Brass