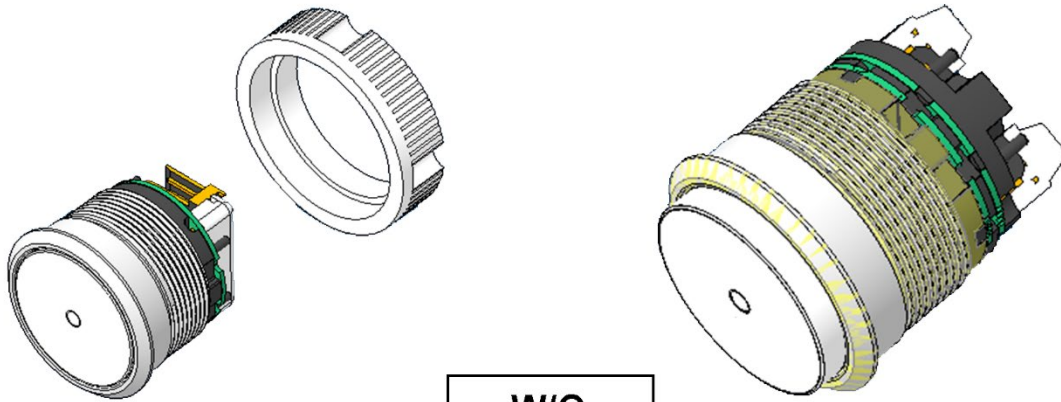


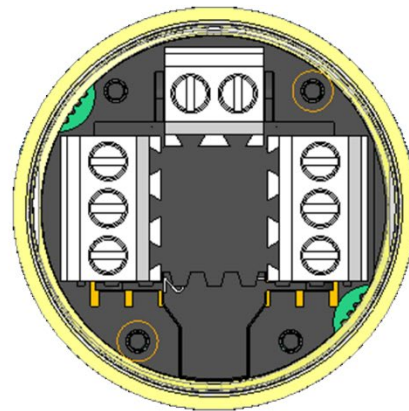
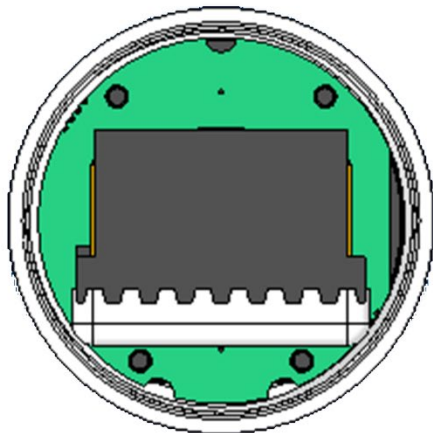
**Push Button  
Luxury  
Micro Motion III  
(Vandal Resistant)**

**Spare Parts Leaflet  
32-AAA323DZ**

**December 11, 2024 / Page 1 of 5**



**W/O  
VINTAGE**



**OTIS**

This document does not contain any technical data subject to EAR or ITAR

**SERVICE ENGINEERING  
Otis Elevator Company  
Bloomfield, Connecticut USA**

Unpublished Work—© Otis Elevator Co.; 2024

## Leaflet Description

This leaflet provides information for the new type AAA323DZ buttons. These buttons replace the obsolete type AAA23500BZ buttons. These buttons come in either a screw connection or 8-pin Amp connection terminal. All standard voltages: 6, 12, 24, 30 volt and 120-volt AC and DC.

## Leaflet Revisions

Date Revised	Subject Matter Expert	Reason for Revision
November 4, 2020	Joseph Zych	New SPL
December 2, 2020	Joseph Zych	Updated step 2 on p. 4
June 2, 2021	Vadzim Fedarenka	Updated step 4 on p. 4
July 21, 2021	Joseph Zych	Corrected typo on p. 5
December 11, 2024	Vadzim Fedarenka	Added 6 & 12 V to screw terminal type in table (step 3) on p. 4; added note on p. 4.

## Related Drawings

Drawing No.	Title	Drawing No.	Title
AAA323DZ	Push Button, Micro Motion III (Vandal Resistant)	AAA174YL	Wiring Adapter

## Related Documents

Document ID	Title
---	---

## Subject Matter Expert

Name	Department
Aayush Desai & Vadzim Fedarenka	OSC Service Engineering

## About Spare Parts Leaflets...

This document lists the lowest replaceable units (LRUs) for the standard version of the product. The LRUs are chosen by a team of Otis associates representing engineering and manufacturing.

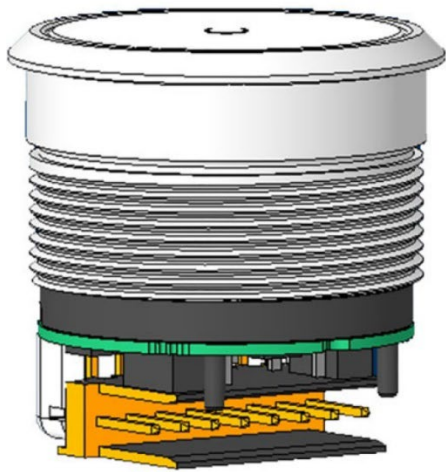
While goal of this document is to make parts identification as easy as possible, the document cannot be all-inclusive. Elevator and escalator contracts classified as "special" or "custom" are not addressed here. For such contracts, please refer to specified information, the contract folder, TIPs, Field Education Articles, Construction Letters, etc. for further information.

If you have any suggestions about this document, please contact the subject matter expert listed on this page.

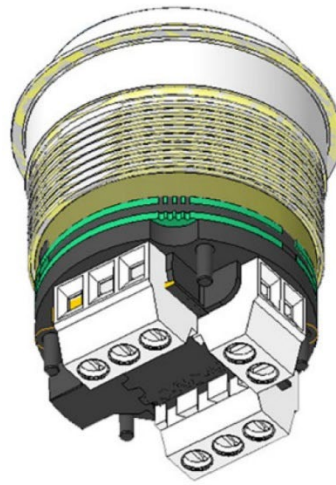
# Ordering Instructions

**32-AAA323DZ**

Part numbers for buttons are located on the bottom of each part as shown below



**Figure 1**



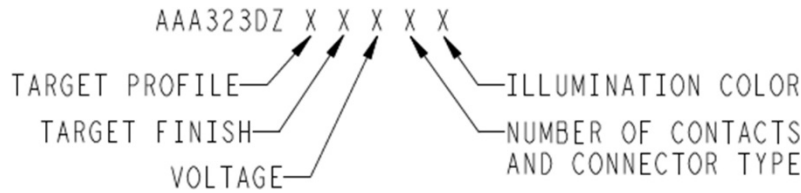
**Figure 2**

- AAA323DZ micro-motion III pushbuttons come in two configurations.
  - Pushbuttons used with AMP connector (Figure1)
  - Pushbuttons used with screw connector (Figure 2)
- Order p/n FAA72N1 locking nut separately, because it is not provided with buttons.
- The available four finishes are:
  - FS4/SS4 (brushed stainless)
  - SS8 (mirror stainless)
  - BR7 (brushed brass)
  - BR8 (mirror brass)

# Ordering Instructions

**32-AAA323DZ**

## Part Number Specifying Method



**Step 1:** Select the target profile.

**Example:** AAA323DZ1 = Flat Flush Target

#	Target Profile
1	Flat Flush
2	Flat Projecting
3	Concave Flush
4	Concave Projecting

**Step 2:** Select the target finish.

**Example:** AAA323DZ11 = FS4/SS4 Brushed Stainless Steel

#	Target Finish
1	FS4/SS4 (brushed stainless)
2	SS8 (mirror stainless)
3	BR7 (brushed brass)
4	BR8 (mirror brass)

**Step 3:** Select the needed voltage for the button.

**Example:** AAA323DZ115 = 120 VDC

#	Voltage
1	6 VDC
2	12 VDC
3	24 VDC
4	30 VDC
5	120 VAC/DC

**Step 4:** Select the number of contacts and terminal connector.

**Example:** AAA323DZ1151 = 1 contact and screw connection.

#	# of Contacts	Terminal Type
1	1 contact	Screw Terminal 6, 12, 24, 30, & 120 Volt Only
2	2 contacts	
3	1 contact	HE13 Amp Terminal 6 and 12 Volt Only
4	2 contacts	

**Step 5:** Select the illumination color the button needs to light up.

**Example:** AAA323DZ11515 = Blue LED

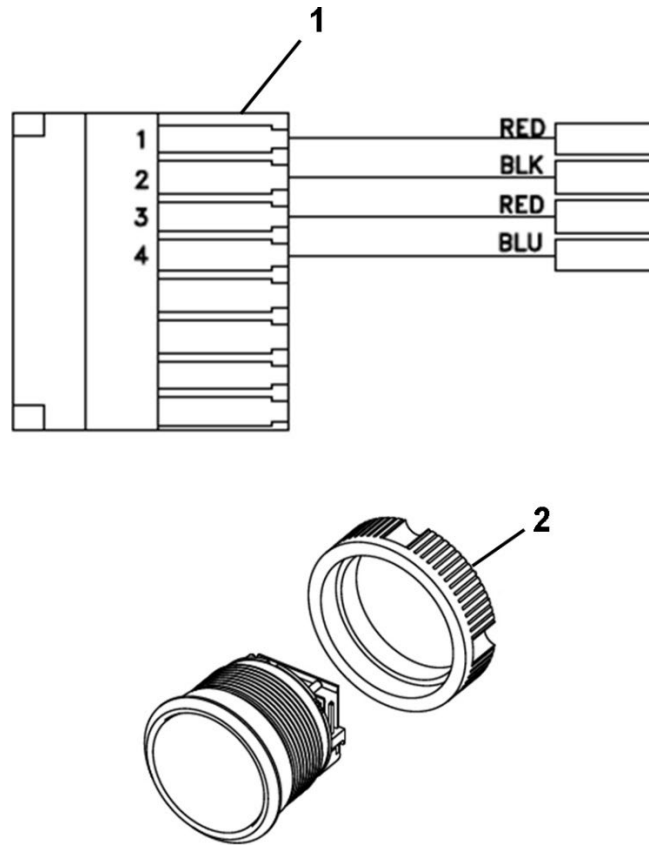
#	Indicator Light Color
1	Red LED
2	Amber LED
3	Yellow Green LED
4	True Green LED
5	Blue LED
6	White LED
7	Not Illuminated

**Final part number is AAA323DZ11515.**

**NOTE:** 2-contact HE13 AMP terminal pushbuttons can be used as service replacement of 1-contact HE13 AMP terminal pushbuttons.

# Electrical Wiring Adapter Cable and Fixing Nut

**32-AAA323DZ**



**NOTE:** Cable to connect 8-pin Amp connector buttons only.

<b>W/O VINTAGE</b>		
<b>REF. No.</b>	<b>PART No.</b>	<b>DESCRIPTION</b>
1	AAA174YL23	Cable, Electrical Wiring Adapter, Length 7.8 in. (200 mm)
2	FAA72N1	Nut, Fixing