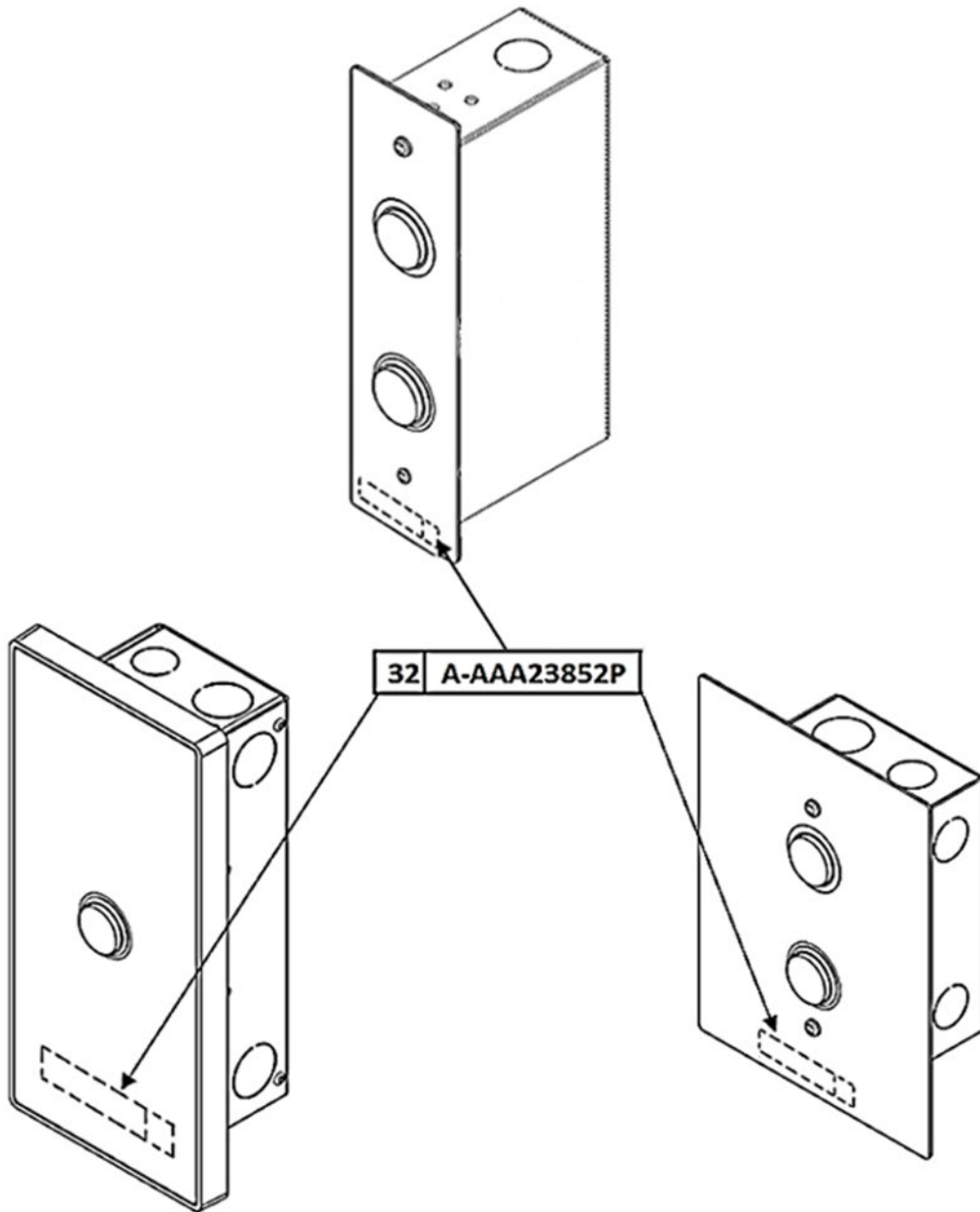


**Purchase Terminal &
Intermediate Landing
Fixtures**

Spare Parts Leaflet

32-AAA23852P

April 9, 2025 / Page 1 of 9



OTIS

This document does not contain any
technical data subject to EAR or ITAR

SERVICE ENGINEERING
Otis Elevator Company
Bloomfield, Connecticut USA

Unpublished Work—© Otis Elevator Co.; 2025

History

32-AAA23852P

Leaflet Description

Those purchase terminal and intermediate landing fixtures have separate jamb- and wall-mounting versions. Jamb mounted fixtures have only flat applied faceplate version, wall mounted fixtures have flat as well as bezel applied faceplate arrangements.

Leaflet Revisions

Date Revised	Subject Matter Expert	Reason for Revision
April 9, 2025	Vadzim Fedarenka	New SPL

Related Drawings

Drawing No.	Title	Drawing No.	Title
AAA23852P	Assembly, Combo Button	AAA147ABT	Plate, Face

Related Documents

Document ID	Title

Subject Matter Expert

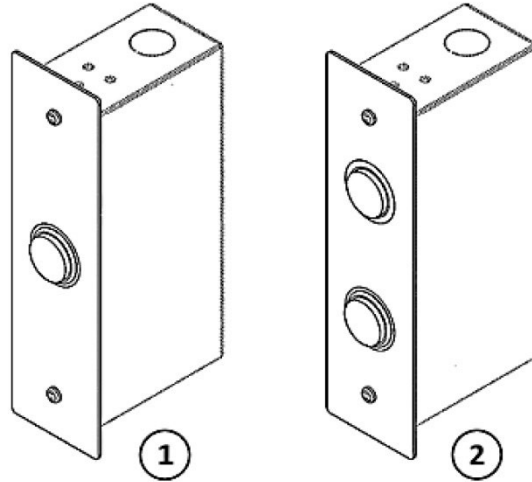
Name	Department
Vadzim Fedarenka & Aayush Desai	OSC Service Engineering

About Spare Parts Leaflets...

This document lists the lowest replaceable units (LRUs) for the standard version of the product. The LRUs are chosen by a team of Otis associates representing engineering and manufacturing.

While goal of this document is to make parts identification as easy as possible, the document cannot be all-inclusive. Elevator and escalator contracts classified as "special" or "custom" are not addressed here. For such contracts, please refer to specified information, the contract folder, TIPs, Field Education Articles, Construction Letters, etc. for further information.

If you have any suggestions about this document, please contact the subject matter expert listed on this page.

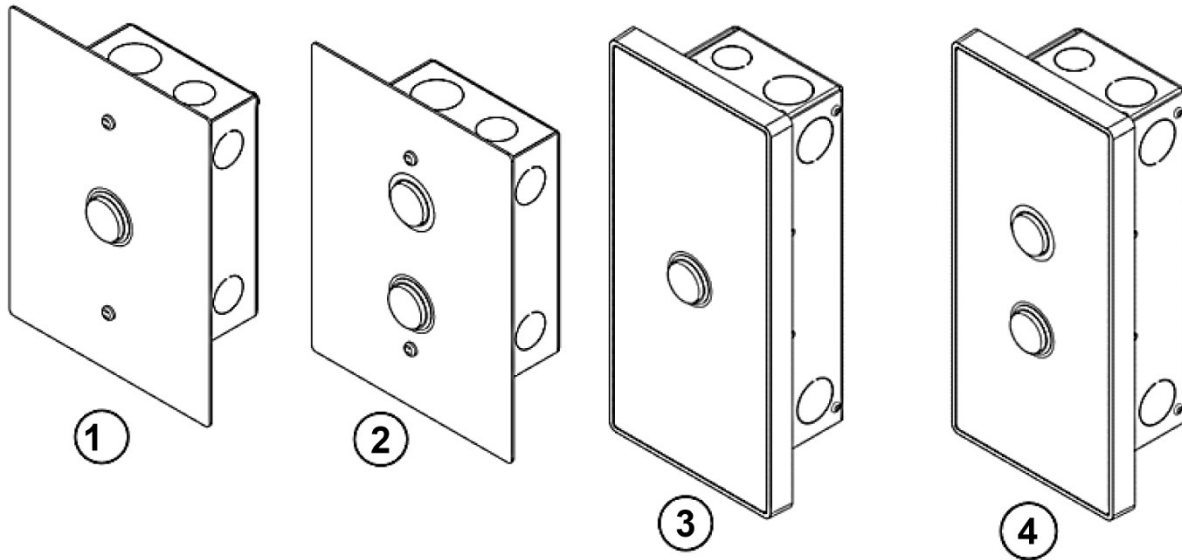


REF. No.	PART No.	DESCRIPTION
AAA23852P		
1	AAA23852P1-...	Fixture, Terminal Landing, AAA23500CH122 Pushbutton, CA only
	AAA23852P7-...	Fixture, Terminal Landing, AAA23500AM63 Pushbutton
	AAA23852P13-...	Fixture, Terminal Landing, AAA23500CH124 Pushbutton
	AAA23852P19-...	Fixture, Terminal Landing, AAA23500CH123 Pushbutton
2	AAA23852P2-...	Fixture, Intermediate Landing, AAA23500CH122 Pushbutton, CA only
	AAA23852P8-...	Fixture, Intermediate Landing, AAA23500AM63 Pushbutton
	AAA23852P14-...	Fixture, Intermediate Landing, AAA23500CH124 Pushbutton
	AAA23852P20-...	Fixture, Intermediate Landing, AAA23500CH123 Pushbutton

NOTE: See pages 6 & 7 for pushbutton descriptions. See page 9 for ordering process.

Fixture Assemblies, In Wall

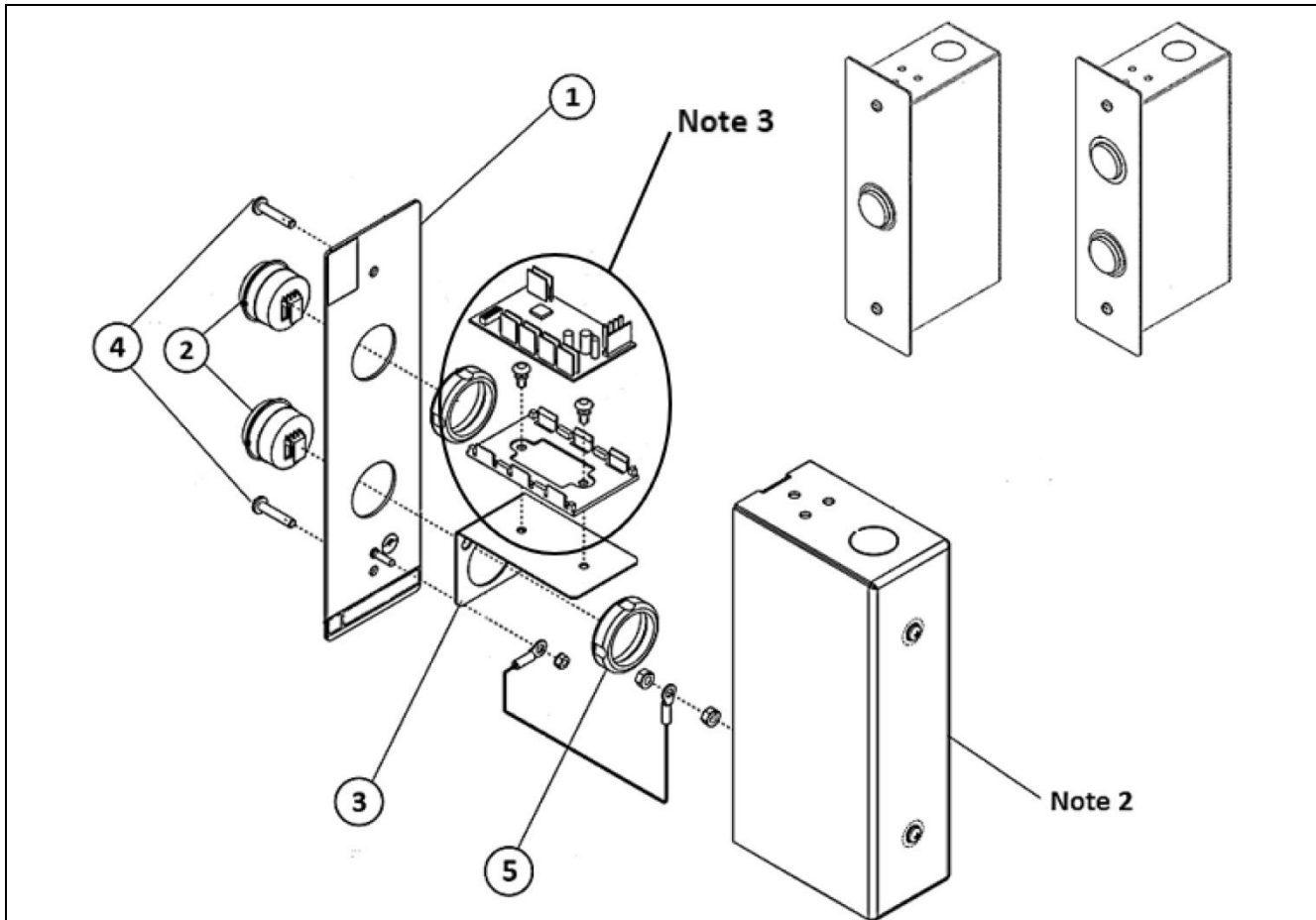
32-AAA23852P



AAA23852P		
REF. No.	PART No.	DESCRIPTION
1	AAA23852P3-...	Fixture, Terminal Landing, Flat Mounted, AAA23500CH122 Pushbutton, CA Only
	AAA23852P9-...	Fixture, Terminal Landing, Flat Mounted, AAA23500AM63 Pushbutton
	AAA23852P15-...	Fixture, Terminal Landing, Flat Mounted, AAA23500CH124 Pushbutton
	AAA23852P21-...	Fixture, Terminal Landing, Flat Mounted, AAA23500CH123 Pushbutton
2	AAA23852P4-...	Fixture, Intermediate Landing, Flat Mounted, AAA23500CH122 Pushbutton, CA Only
	AAA23852P10-...	Fixture, Intermediate Landing, Flat Mounted, AAA23500AM63 Pushbutton
	AAA23852P16-...	Fixture, Intermediate Landing, Flat Mounted, AAA23500CH124 Pushbutton
	AAA23852P22-...	Fixture, Intermediate Landing, Flat Mounted, AAA23500CH123 Pushbutton
3	AAA23852P5-...	Fixture, Terminal Landing, Bezel Mounted , AAA23500CH122 Pushbutton, CA Only
	AAA23852P11-...	Fixture, Terminal Landing, Bezel Mounted , AAA23500AM63 Pushbutton
	AAA23852P17-...	Fixture, Terminal Landing, Bezel Mounted , AAA23500CH124 Pushbutton
	AAA23852P23-...	Fixture, Terminal Landing, Bezel Mounted , AAA23500CH123 Pushbutton
4	AAA23852P6-...	Fixture, Intermediate Landing, Bezel Mounted , AAA23500CH122 Pushbutton, CA Only
	AAA23852P12-...	Fixture, Intermediate Landing, Bezel Mounted , AAA23500AM63 Pushbutton
	AAA23852P18-...	Fixture, Intermediate Landing, Bezel Mounted , AAA23500CH124 Pushbutton
	AAA23852P24-...	Fixture, Intermediate Landing, Bezel Mounted , AAA23500CH123 Pushbutton

NOTE: See pages 6 & 7 for pushbutton descriptions. See page 9 for ordering process.

Intermediate Landing Fixtures



AAA23852P		
REF. No.	PART No.	DESCRIPTION
1	AAA147ABT1-...	Plate, Face, Terminal Landing, FS4 Finish, 60 x 216 mm. See Note 1.
	AAA147ABT2-...	Plate, Face, Intermediate Landing, FS4 Finish, 60 x 216 mm. See Note 1.
2	AAA23500CH122	Pushbutton, MM-III, Flat Projecting, 24 V, Amp, White LED Illumination & White Halo, CA Only
	AAA23500AM63	Pushbutton, MM-III, Flat Projecting, 24 V, Amp, Blue LED Illumination
	AAA23500CH124	Pushbutton, MM-III, Flat Projecting, 24 V, Amp, White LED Illumination
	AAA23500CH123	Pushbutton, MM-III, Flat Flush, 24 V, Amp, White LED Illumination
3	AAA316HZD1	Bracket, Steel, 1 mm Thickness
4	AAA124HE5	Screw, Tamper Resistant, Pan Head, FS4 / SSB Finish, M4X20
5	FAA72N1	Nut, Locking, Pushbutton, Plastic

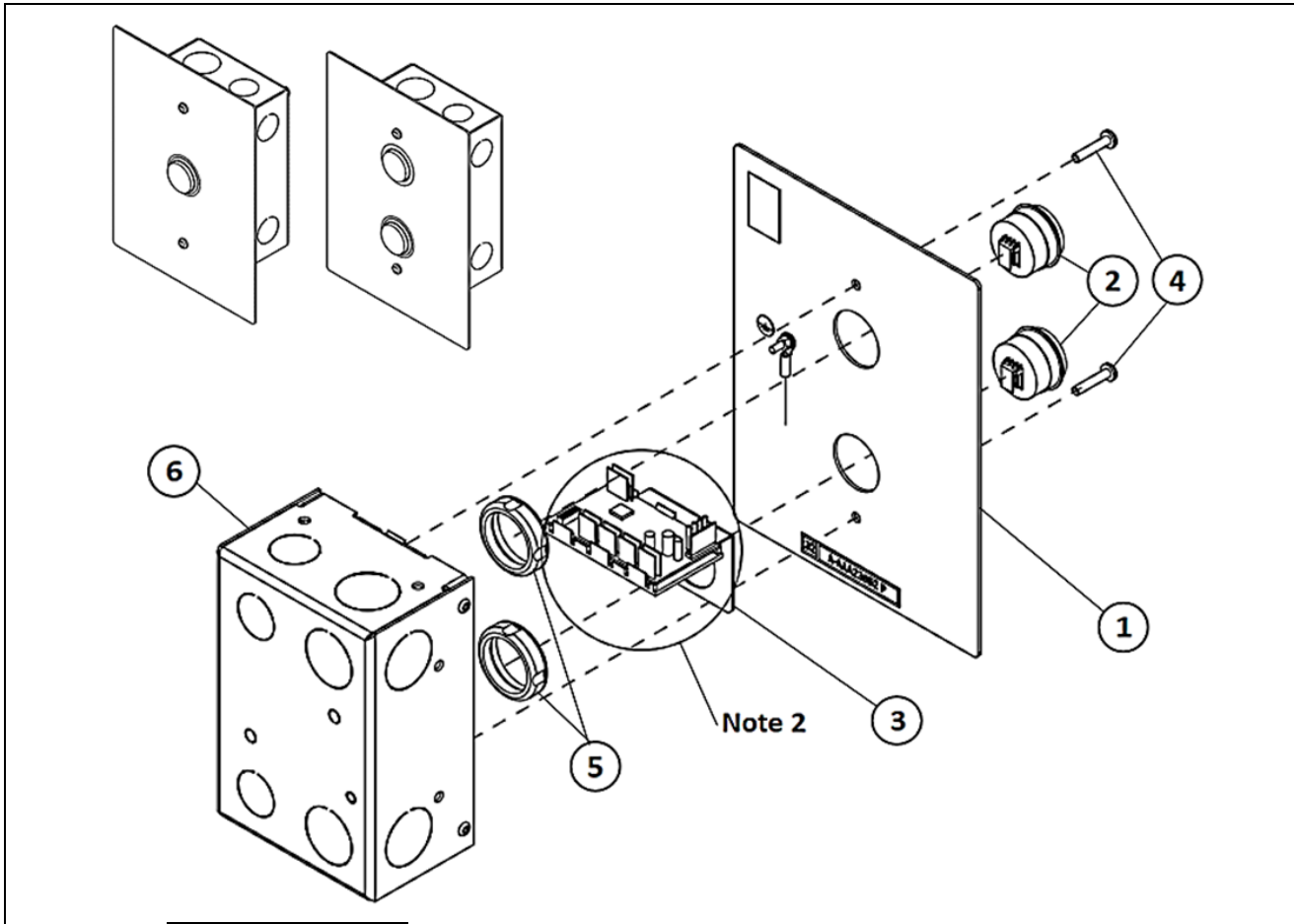
NOTE 1: See p. 9 for ordering process.

NOTE 2: Box not required; will ship with entrance frame.

NOTE 3: See p. 8 for part numbers.

In-Wall Terminal & Intermediate Landing Fixtures, Flat Mounted

32-AAA23852P



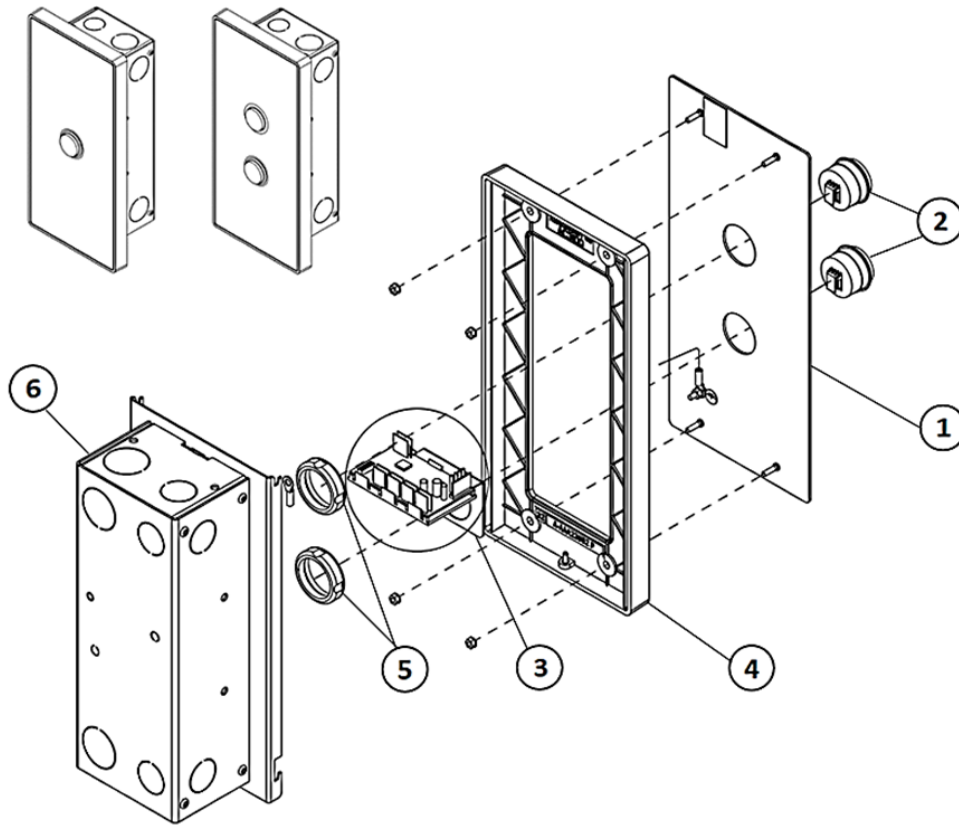
REF. No.	PART No.	DESCRIPTION
	AAA23852P	
1	AAA147ABT3-...	Plate, Face, Terminal Landing, FS4 Finish, 150 x 200 mm. See Note 1.
1	AAA147ABT4-...	Plate, Face, Intermediate Landing, FS4 Finish, 150 x 200 mm. See Note 1.
2	AAA23500CH122	Pushbutton, MM-III, Flat Projecting, 24 V, Amp, White LED Illumination & White Halo, CA Only
2	AAA23500AM63	Pushbutton, MM-III, Flat Projecting, 24 V, Amp, Blue LED Illumination
2	AAA23500CH124	Pushbutton, MM-III, Flat Projecting, 24 V, Amp, White LED Illumination
2	AAA23500CH123	Pushbutton, MM-III, Flat Flush, 24 V, Amp, White LED Illumination
3	AAA316HZD13	Bracket, Steel, 1 mm Thickness
4	AAA124HE5	Screw, Tamper Resistant, Pan Head, FS4/SSB Finish, M4X20
5	FAA72N1	Nut, Locking, Pushbutton, Plastic
6	AAA309EC1	Box

NOTE 1: See p. 9 for ordering process.

NOTE 2: See p. 8 for part numbers.

In-Wall Terminal & Intermediate Landing Fixtures, Bezel Mounted

32-AAA23852P

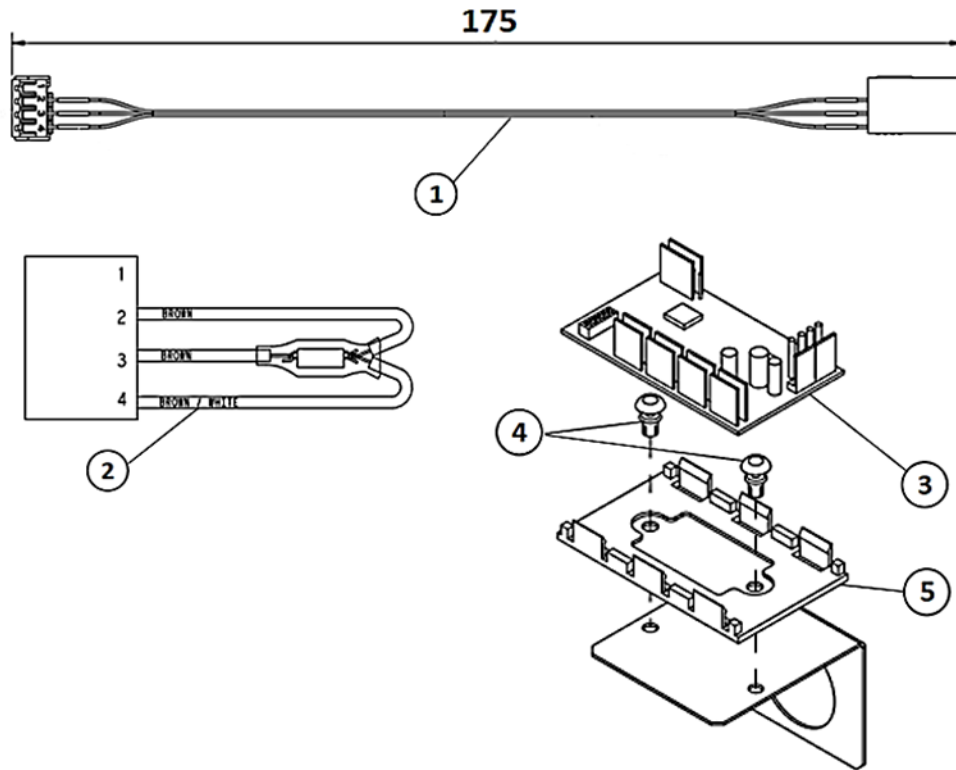


AAA23852P

REF. No.	PART No.	DESCRIPTION
1	AAA147ABT5-...	Plate, Face, Terminal Landing, FS4 Finish, 120 x 260 mm. See Note 1.
	AAA147ABT6-...	Plate, Face, Intermediate Landing, FS4 Finish, 120 x 260 mm. See Note 1.
2	AAA23500CH122	Pushbutton, MM-III, Flat Projecting, 24 V, Amp, White LED Illumination & White Halo, CA Only
	AAA23500AM63	Pushbutton, MM-III, Flat Projecting, 24 V, Amp, Blue LED Illumination
	AAA23500CH124	Pushbutton, MM-III, Flat Projecting, 24 V, Amp, White LED Illumination
	AAA23500CH123	Pushbutton, MM-III, Flat Flush, 24 V, Amp, White LED Illumination
3	AAA316HZD13	Bracket, Steel, 1 mm Thickness
4	AAA374AFR1	Bezel, Assembly
5	FAA72N1	Nut, Locking, Pushbutton, Plastic
6	AAA309FS1	Box

NOTE 1: See p. 9 for ordering process.

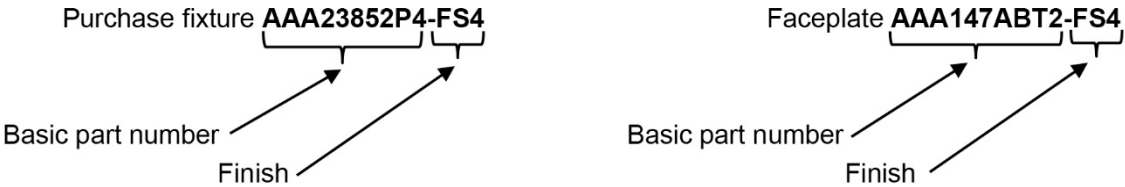
NOTE 2: See p. 8 for part numbers.



AAA23852P		
REF. No.	PART No.	DESCRIPTION
1	AAA25400GS4	Cable, Electrical, Gen3 Core, Mafelec Pushbutton Connection
2	ABA174SH9	Cable, Electrical
3	DCA26800AL1	PC-Board Assembly, RS-14
4	AAA141AN1	Rivet, Snap, RS14/CF14
5	FBA316SL2	Bracket, Holder, RS14/CF14

For fixture and faceplate ordering, complete part number as shown below:

EXAMPLE



* The temporarily available finish is FS4 – brushed stainless steel.