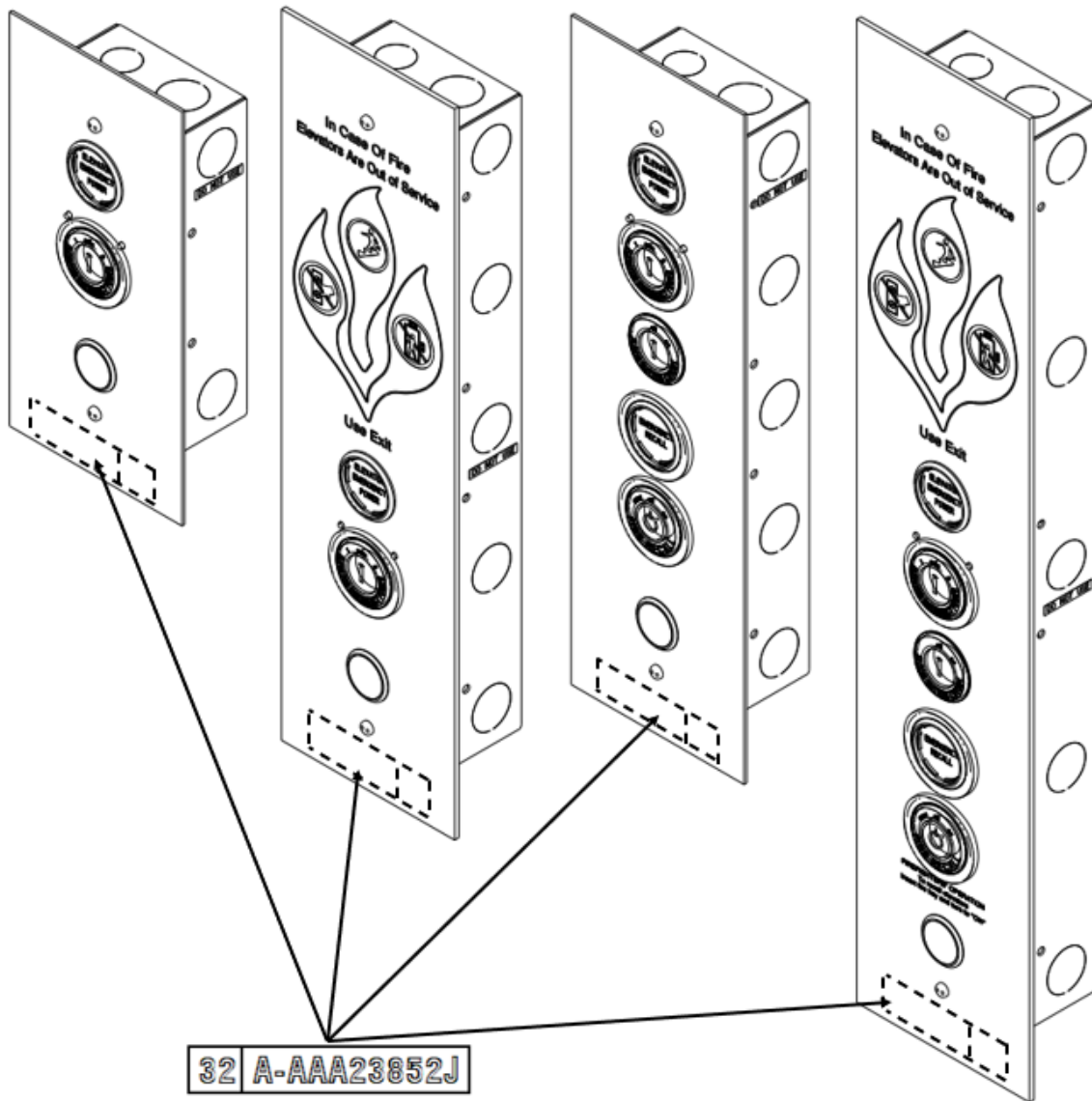


**Combo Button Fixture
Jewel and/or Keyswitch,
Wall Mounted**

Spare Parts Leaflet

32-AAA23852J

November 12, 2025 / Page 1 of 7



This document does not contain any technical data subject to EAR or ITAR

SERVICE ENGINEERING
Otis Elevator Company
Bloomfield, Connecticut USA

Unpublished Work—© Otis Elevator Co.; 2025

History

32-AAA23852J

Leaflet Description

This leaflet provides information for **AAA23852J** wall mounted fixture as a combination of various keyswitches, jewels, and pushbuttons. It is based on **RS14** Board. Each fixture may or may not have all these parts. We have two types of flames, and each has two types of texts. The width of the fixture is the same for all combinations and the height will vary depending on the number of Buttons, Keyswitch/Jewel, and Flame sign. These fixtures are mounted only on the Wall (not Jamb) and used in **Skyrise1** NAA products.

Leaflet Revisions

Date Revised	Subject Matter Expert	Reason for Revision
November 12, 2025	Vadzim Fedarenka	New SPL

Related Drawings

Drawing No.	Title	Drawing No.	Title
AAA23852J	Fixture, Wall Arrangement		

Related Documents

Document ID	Title
SPL 31-AAA23851A	Key switch, Series 5
AAA23852C_TDS	Technical Data Sheet, Combo Button Assembly
SPL 31-AAA23851B	Jewel
SPL 31-AAA340CV	Key switch/Jewel Collar
SPL 31-AAA102VB	Plate, Instructions
SPL 31-AAA23500CH	Pushbutton, Luxury, MM-III
SPL 31-AAA23500AM	Pushbutton, Vandal Resistant, MM-III

Subject Matter Expert

Name	Department
Vadzim Fedarenka & Alron D'Mello	OSC Service Engineering

About Spare Parts Leaflets...

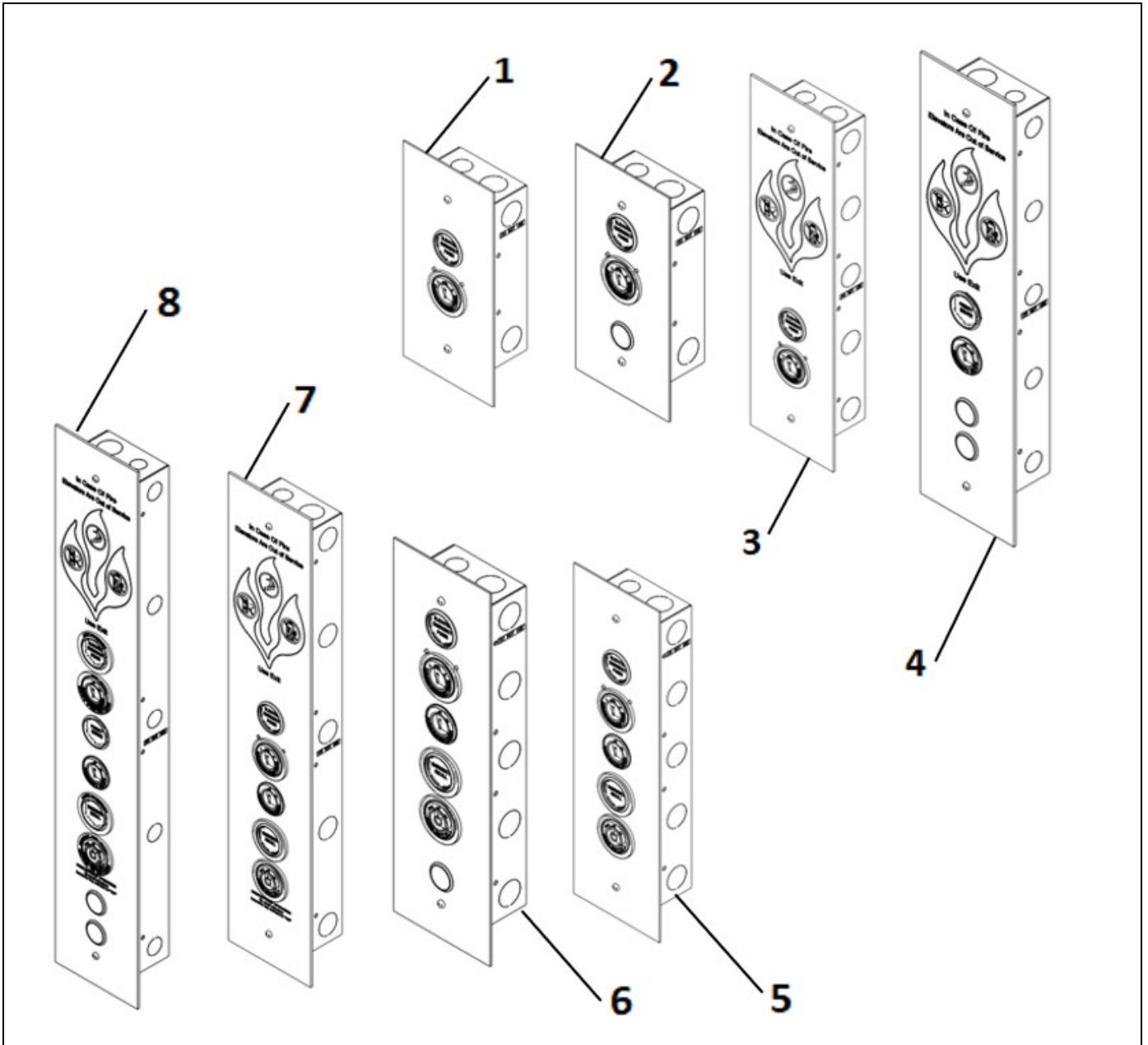
This document lists the lowest replaceable units (LRUs) for the standard version of the product. The LRUs are chosen by a team of Otis associates representing engineering and manufacturing.

While goal of this document is to make parts identification as easy as possible, the document cannot be all-inclusive. Elevator and escalator contracts classified as "special" or "custom" are not addressed here. For such contracts, please refer to specified information, the contract folder, TIPs, Field Education Articles, Construction Letters, etc. for further information.

If you have any suggestions about this document, please contact the subject matter expert listed on this page.

Faceplate & Box

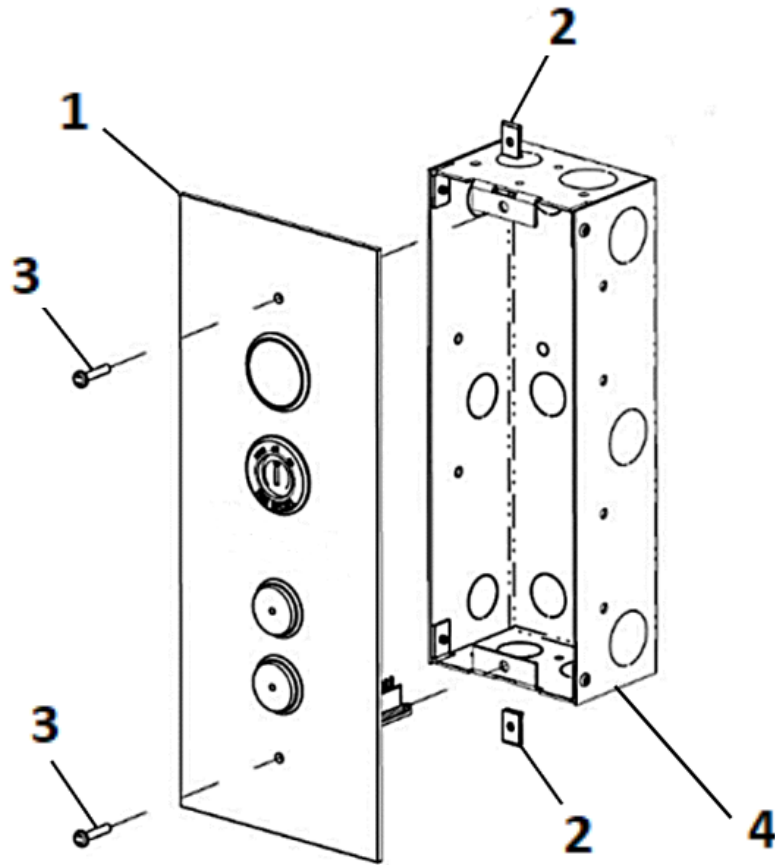
32-AAA23852J



REF. No.	DESCRIPTION
1	Specific Function Fixture w/o Flame & Button(s)
2	Specific Function Fixture w/o Flame & with Button(s)
3	Specific Function Fixture with Flame & w/o Button(s)
4	Specific Function Fixture with Flame & Button(s)
5	Combo Function Fixture w/o Flame & Button(s)
6	Combo Function Fixture w/o Flame & with Button(s)
7	Combo Function Fixture with Flame & w/o Button(s)
8	Combo Function Fixture with Flame & Button(s)

Faceplate and Box

32-AAA23852J

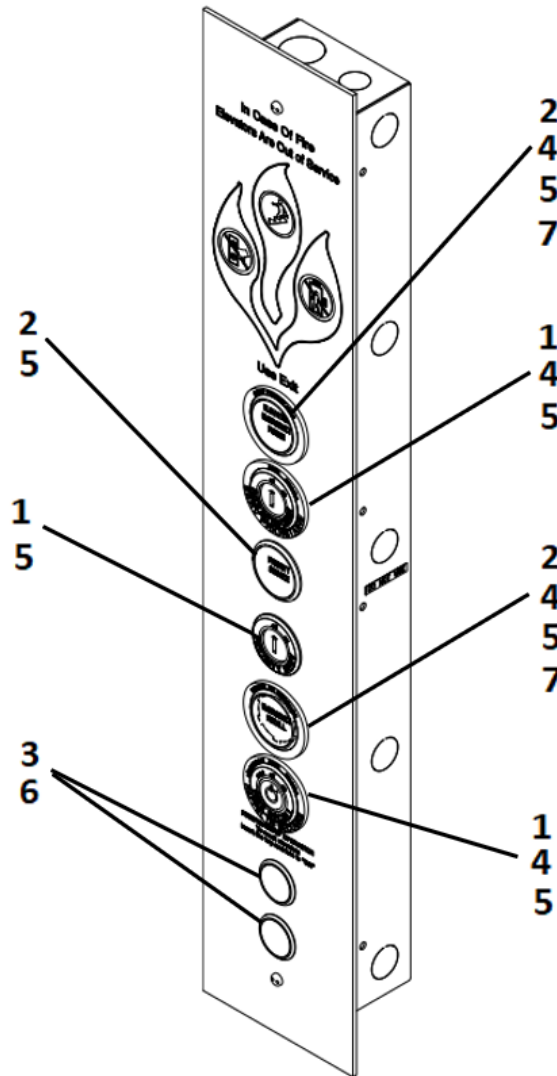


AAA23852J		
REF. No.	PART No.	DESCRIPTION
1	AAA147VW__-__*	Faceplate
2	72BX7	Speed Nut, # 8 / M4
3	AAA124HE5	Screw, Tamper Resistant, M4X20, FS4/SS4 Brushed SS Finish
	AAA124HE6	Screw, Tamper Resistant, M4X20, GOLDB Brushed Brass Finish
	AAA124HE7	Screw, Tamper Resistant, M4X20, SSM Mirrored SS Finish
	AAA124HE8	Screw, Tamper Resistant, M4X20, GOLDM Mirrored Brass Finish
4	AAA309EC__*	Box, Electric

* Due to high number of arrangements, please consult Customer Service for faceplate part numbers.

Keyswitches, Jewels, Buttons & Collars

32-AAA23852J

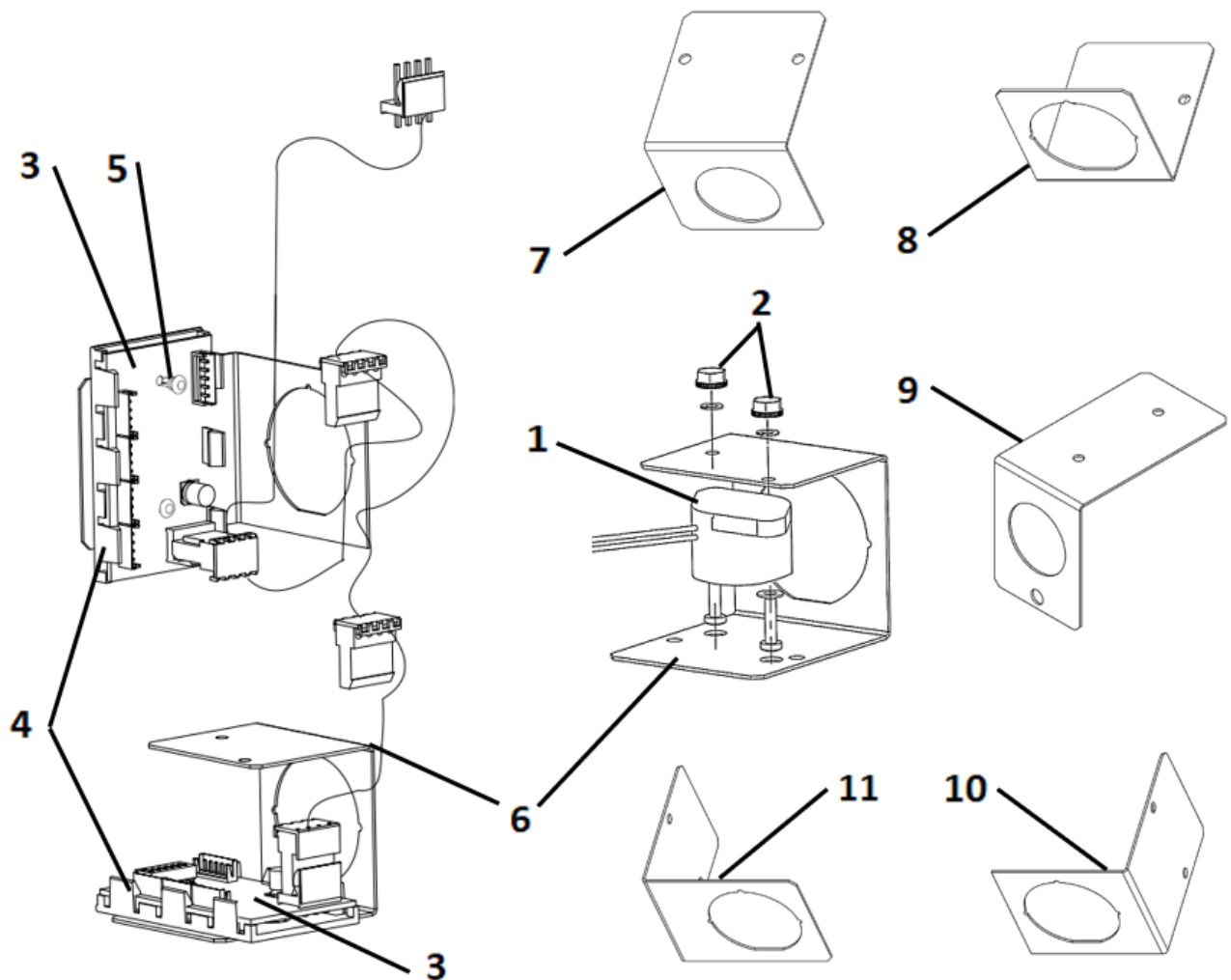


AAA23852J		
REF. No.	PART No.	DESCRIPTION
1	AAA23851A__	Key Switch, Series 5. See SPL 32-AAA23851A .
2	AAA23851B__	Jewel. See SPL 31-AAA23851B .
3	AAA23500CH__	Pushbutton, MM III. See SPL 32-AAA23500CH .
	AAA23500AM__	Pushbutton, MM III, Vandal Resistant. See SPL 32-AAA23500AM .
4	AAA340CV__	Collar, Keyswitch/Jewel. See SPL 31-AAA340CV .
5*	AAA72JZ1	Nut, Locking, Keyswitch/Jewel
6*	FAA72N1	Nut, Locking, Pushbutton
7*	AAA26800AJS4	PC Board, Assembly, Jewel, Red LED

* Location only. Part not shown.

Other Assembly Parts

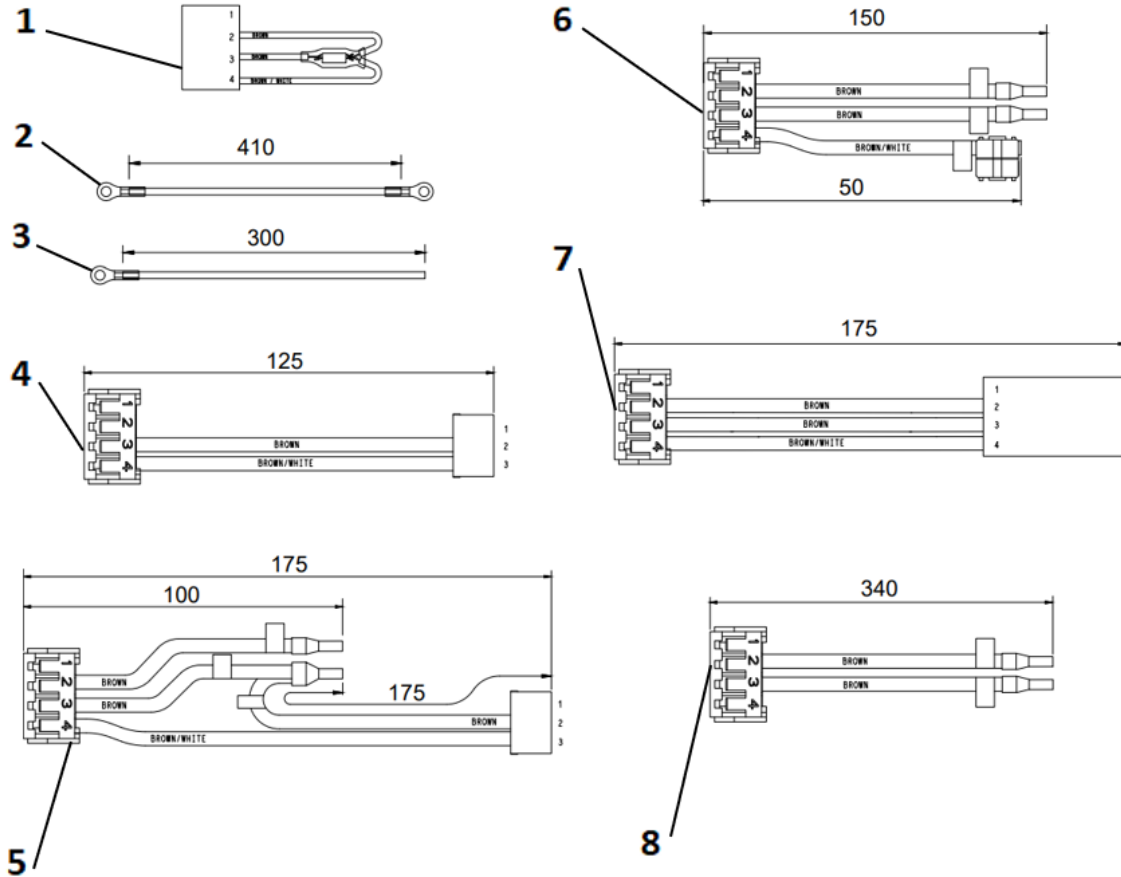
32-AAA23852J



AAA23852J		
REF. No.	PART No.	DESCRIPTION
1	6219F2	Buzzer, Elevator Communication Failure
2	AAA72MC1	Speed Nut, 3M, Hexagon
3	DCA26800AL1	PC Board Assembly, RS14
4	FBA316SL1	Holder, PC Board
5	AAA141AN1	Snap Rivet, PC Board—Bracket Holder Connection
6	AAA316HZD4	Bracket, PC Board Mounting, C-shape, Ø 37.5 mm
7	AAA316HZD5	Bracket, PC Board Mounting, L-shape, 50 x 43 x 56 mm, Ø 28.5 mm
8	AAA316HZD6	Bracket, PC Board Mounting, L-shape, 50 x 50 x 60 mm, Ø 37.5 mm
9	AAA316HZD7	Bracket, PC Board Mounting, L-shape, 43 x 55 x 76 mm, Ø 28.5 mm
10	AAA316HZD8	Bracket, PC Board Mounting, L-shape, 50 x 56 x 60 mm, Ø 37.5 mm
11	AAA316HZD9	Bracket, PC Board Mounting, L-shape, 50 x 65 x 60 mm, Ø 37.5 mm

Cables

32-AAA23852J



REF. No.	PART No.	DESCRIPTION
1	ABA174SH9	Cable, Hall Fixture (RSL)
2	AAA175ABY16	Conductor, Ground (Factory Connection)
3	AAA175ABY19	Conductor, Ground (Field Connection)
4	AAA25400BT21	Cable, Hall Fixture (Jewel)
5	AAA25400BT27	Cable, Hall Fixture (Option EPSE)
6	AAA25400BT28	Cable, Hall Fixture (Option ECFF)
7	AAA25400BT30	Cable, Hall Fixture (Button)
8	AAA25400BT82	Cable, Hall Fixture (Floor Cutout)