

**Keyswitch
(Mod)**

Spare Parts Leaflet

32-AAA23851L

March 13, 2024 / Page 1 of 14

**W/O
VINTAGE**



OTIS

This document contains technical data
subject to the US Export
Administration – EAR99

SERVICE ENGINEERING

Otis Elevator Company

Bloomfield, Connecticut USA

Unpublished Work—© Otis Elevator Co.; 2024

Leaflet Description

This leaflet provides information for modernization Keyswitches. There are three basic types. Type 1 is a split bracket to switch design, type 2 is tab mounted switches to locks design and type 3 is a one piece bracket that holds both the lock and switch together.

Leaflet Revisions

Date Revised	Subject Matter Expert	Reason for Revision
August 9, 2017	Joseph Zych	New SPL
August 29, 2018	Joseph Zych	Added all the previously missing arrangements
June 29, 2022	Vadzim Fedarenka	<ul style="list-style-type: none"> • Updated History page • Added lock, housing, and rotary switch columns and removed “Keyswitch Type” column on pp. 4–12 • Added “Keyswitch Types” on p. 3 • Added AAA23851L99 on p. 7 • Added “pre-2000” in function column and corrected housing marking for AAA23851L98 on p. 7 • Updated pictures on pp. 4–12 • Added new p. 13
August 24, 2022	Vadzim Fedarenka	<ul style="list-style-type: none"> • Updated Keyswitch types p/ns on p. 3 • Added rotary switch p/n for AAA23851L18 on p. 12 • Changed assembly type for AAA23851L1–14 & 25–31 (was Type 2, now Type 1), see p. 4 • Added AAA23851176–187 on p. 11
March 13, 2024	Vadzim Fedarenka	Added keyswitch Type 4 on p.3; changed keyswitch type for AAA23851L1-14, 25-80, 163-170 & 176-187 (was type 1); added items 8-11 and corrected “Used for” for items 2, 3, 7 on p.15

Related Drawings

Drawing No.	Title	Drawing No.	Title
AAA23851L	Modernization Keyswitches	---	---

Related Documents

Document ID	Title
---	---

Subject Matter Expert

Name	Department
Vadzim Fedarenka	OSC Service Engineering

About Spare Parts Leaflets...

This document lists the lowest replaceable units (LRUs) for the standard version of the product. The LRUs are chosen by a team of Otis associates representing engineering and manufacturing.

While goal of this document is to make parts identification as easy as possible, the document cannot be all-inclusive. Elevator and escalator contracts classified as “special” or “custom” are not addressed here. For such contracts, please refer to specified information, the contract folder, TIPs, Field Education Articles, Construction Letters, etc. for further information.

If you have any suggestions about this document, please contact the subject matter expert listed on this page.

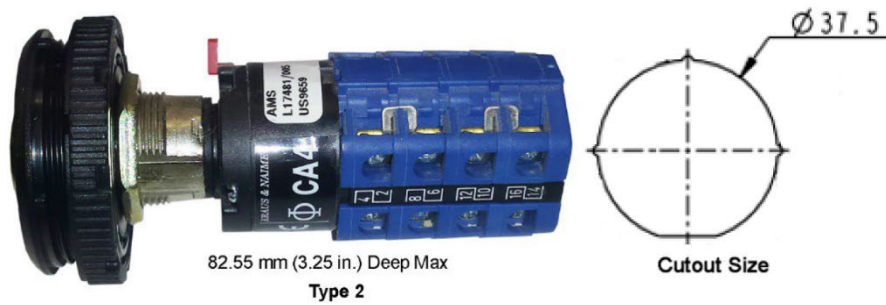
Keyswitch Types

32-AAA23851L

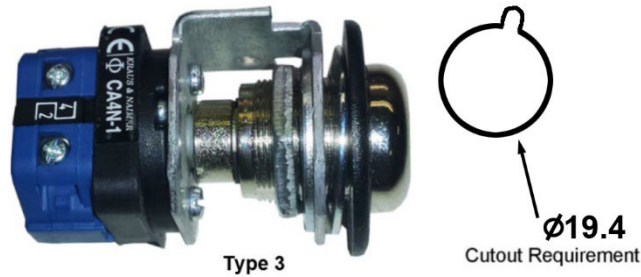
Type 1, Bracket Mounted Keyswitch AAA23851L81-137, 139-162, 171-175



Type 2, Tab Mounted Keyswitch (AAA23851L15-24)



Type 3, Bracket Mounted Keyswitch (AAA23851L138)



Type 4, Bracket Mounted Keyswitch (AAA23851L1-14, 25-80, 163-170, 176-187)



32-AAA23851L

Keyswitch Assemblies, Type 1



Type 1

Function	Keyswitch Part No.	Lock Part No.	Key	Housing Part No.	Housing Marking	Rotary Switch Part No.	
SES Phase I (Active High)	AAA23851L81	AAA431AF9	UTF	AAA396PJ16	RESET, OFF, ON, FIRE RECALL	ABA636A12	
	AAA23851L82			AAA396PJ17	BYPASS, OFF, ON, FIRE SERVICE		
SES Phase I Remote (Active High)	AAA23851L83			AAA396PJ24	OFF, ON, FIRE RECALL		
	AAA23851L84			AAA396PJ25	OFF, ON, FIRE SERVICE		
SES Phase II (Active High)	AAA23851L85	AAA431AF17		AAA396PJ33	OFF, HOLD, ON	ABA636A8	
SES Phase I (Active High) French	AAA23851L86	AAA431AF9		AAA396PJ18	REARMEMENT, ARRET, MARCHE, RAPPEL DE SECOURS	ABA636A12	
SES Phase I Remote, (Active High) French	AAA23851L87			AAA396PJ26	ARRET, MARCHE, RAPPEL DE SECOURS		
SES Phase II, French (Active High)	AAA23851L88	AAA431AF17		AAA396PJ35	ARRET, ATTENTE, MARCHE	ABA636A8	
SES Phase I (Active High) French	AAA23851L89	AAA00431AAF004		FEO-K1	AAA396PJ138	REARMRMRNT, ARRET, MARCHE, RAPPEL DE SECOURS	ABA636A12
SES Phase I Remote, French (Active High)	AAA23851L90				AAA396PJ139	ARRET, MARCHE, RAPPEL DE SECOURS	
SES Phase II, French (Active High)	AAA23851L91	AAA00431AAF006	AAA396PJ137		ARRET, ATTENTE, MARCHE, INCENDIE	ABA636A8	
SES Phase I (Active High)	AAA23851L92	AAA00431AAF004	AAA396PJ132		RESET, OFF, ON, FIRE RECALL	ABA636A12	
SES Phase I Remote (Active High)	AAA23851L93		AAA396PJ133		OFF, ON, FIRE RECALL		
SES Phase II (Active High)	AAA23851L94	AAA00431AAF006	AAA396PJ134		OFF, HOLD, ON, FIRE OPERATION	ABA636A8	
SES Phase I (CT) (Active High)	AAA23851L95	AAA00431AAF001	BFD1	AAA396PJ20	BYPASS, OFF, ON, FIRE SERVICE	ABA636A12	
SES PHASE I (CT) (Active High)	AAA23851L96			AAA396PJ100	RESET, OFF, ON, FIRE RECALL		
SES Phase I (CT) (Active High)	AAA23851L97			AAA396PJ132	RESET, OFF, ON, FIRE RECALL		
SES Phase I Remote (CT) (Active High),pre-2000	AAA23851L98			AAA396PJ29	OFF, ON, FIRE SERVICE		

* Customer to specify car numbers or car letters for these keyswitches.

** Not supplied individually. Order the appropriate lock part number.

(Continued on next page)

32-AAA23851L

Keyswitch Assemblies, Type 1



Type 1

Function	Keyswitch Part No.	Lock Part No.	Key	Housing Part No.	Housing Marking	Rotary Switch Part No.
SES Phase I Remote (CT) (Active High)	AAA23851L99	AAA00431AAF001	BFD1	AAA396PJ101	OFF, ON, FIRE RECALL	ABA636A12
SES Phase I Remote (CT) (Active High)	AAA23851L100			AAA396PJ133	OFF, ON, FIRE RECALL	
SES Phase II (CT) (Active High)	AAA23851L101	AAA00431AAF003		AAA396PJ37	OFF, HOLD, ON	ABA636A8
SES Phase II (CT) (Active High)	AAA23851L102			AAA396PJ134	OFF, HOLD, ON, FIRE OPERATION	
SES Phase I (MA) (Active High)	AAA23851L103	AAA431AK18	3502	AAA396PJ21	BYPASS, OFF, ON, FIRE SERVICE	ABA636A12
SES Phase I (MA) (Active High)	AAA23851L104			AAA396PJ90	RESET, OFF, ON, FIRE RECALL	
SES Phase I Remote (MA) (Active High)	AAA23851L105			AAA396PJ28	OFF, ON, FIRE SERVICE	
SES Phase I Remote (MA) (Active High)	AAA23851L106			AAA396PJ91	OFF, ON, FIRE RECALL	
SES Phase II (MA) (Active High)	AAA23851L107	AAA431AK16		AAA396PJ38	OFF, HOLD, ON	ABA636A8
SES Phase I (NY) (Active High)	AAA23851L108	AAA431AK9	2642	AAA396PJ19	NORM, FIRE SERV	ABA636A12
SES Phase I Remote (NY) (Active High)	AAA23851L109	AAA431AK16		AAA396PJ27	NORM, FIRE SERV	
SES Phase II (NY) (Active High)	AAA23851L110			AAA396PJ39	NORM, HOLD, FIREMAN SERVICE	ABA636A8
SES Phase I and Phase I Remote (CHI)	AAA23851L111	AAA431AK6	5957	AAA396PJ28	OFF, ON, FIRE SERVICE	ABA636A12
SES Phase II (CHI)	AAA23851L112			AAA396PJ36	OFF, ON	ABA636A8
SES Phase I (Active High)	AAA23851L113	AAA431AK31	Florida Zone 1	AAA396PJ90	RESET, OFF, ON, FIRE RECALL	ABA636A12
SES Phase I Remote (Active High)	AAA23851L114			AAA396PJ91	OFF, ON, FIRE RECALL	
SES Phase II (Active High)	AAA23851L115	AAA431AK32		AAA396PJ129	OFF, HOLD, ON, FIRE OPERATION	ABA636A8
SES Phase I (Active High)	AAA23851L116	AAA431AK34	Florida Zone 2	AAA396PJ90	RESET, OFF, ON, FIRE RECALL	ABA636A12
SES Phase I Remote (Active High)	AAA23851L117			AAA396PJ91	OFF, ON, FIRE RECALL	
SES Phase II (Active High)	AAA23851L118	AAA431AK35		AAA396PJ129	OFF, HOLD, ON, FIRE OPERATION	ABA636A8

(Continued on next page)

Keyswitch Assemblies, Type 1

32-AAA23851L



Type 1

Function	Keyswitch Part No.	Lock Part No.	Key	Housing Part No.	Housing Marking	Rotary Switch Part No.
SES Phase I (Active High)	AAA23851L119	AAA431AK37	Florida Zone 3	AAA396PJ90	RESET, OFF, ON, FIRE RECALL	ABA636A12
SES Phase I Remote (Active High)	AAA23851L120			AAA396PJ91	OFF, ON, FIRE RECALL	
SES Phase II (Active High)	AAA23851L121			AAA431AK38	AAA396PJ129	OFF, HOLD, ON, FIRE OPERATION
SES Phase I (Active High)	AAA23851L122	AAA431AK40	Florida Zone 4	AAA396PJ90	RESET, OFF, ON, FIRE RECALL	ABA636A12
SES Phase I Remote (Active High)	AAA23851L123			AAA396PJ91	OFF, ON, FIRE RECALL	
SES Phase II (Active High)	AAA23851L124			AAA431AK41	AAA396PJ129	OFF, HOLD, ON, FIRE OPERATION
SES Phase I (Active High)	AAA23851L125	AAA431AK43	Florida Zone 5	AAA396PJ90	RESET, OFF, ON, FIRE RECALL	ABA636A12
SES Phase I Remote (Active High)	AAA23851L126			AAA396PJ91	OFF, ON, FIRE RECALL	
SES Phase II (Active High)	AAA23851L127			AAA431AK44	AAA396PJ129	OFF, HOLD, ON, FIRE OPERATION
SES Phase I (Active High)	AAA23851L128	AAA431AK46	Florida Zone 6	AAA396PJ90	RESET, OFF, ON, FIRE RECALL	ABA636A12
SES Phase I Remote (Active High)	AAA23851L129			AAA396PJ91	OFF, ON, FIRE RECALL	
SES Phase II (Active High)	AAA23851L130			AAA431AK47	AAA396PJ129	OFF, HOLD, ON, FIRE OPERATION
SES Phase I (Active High)	AAA23851L131	AAA431AK49	Florida Zone 7	AAA396PJ90	RESET, OFF, ON, FIRE RECALL	ABA636A12
SES Phase I Remote (Active High)	AAA23851L132			AAA396PJ91	OFF, ON, FIRE RECALL	
SES Phase II (Active High)	AAA23851L133			AAA431AK50	AAA396PJ129	OFF, HOLD, ON, FIRE OPERATION
SES Phase I Remote (Active Low)	AAA23851L134	AAA431AF9	UTF	AAA396PJ25	OFF, ON, FIRE SERVICE	ABA636A5
SES Phase II (Active Low)	AAA23851L135	AAA431AF3		AAA396PJ124	OFF, HOLD, ON, FIRE SERVICE	ABA636A7
SES Phase I (Active Low)	AAA23851L136	AAA431AF9		AAA396PJ17	BYPASS, OFF, ON, FIRE SERVICE	ABA636A6
SES Phase II (Active Low)	AAA23851L137	AAA431AF3		AAA396PJ124	OFF, HOLD, ON, FIRE SERVICE	ABA636A18
Emergency Light Test	AAA23851L138	AAA431AF5	UTB	AAA396PJ167	OFF, ON, EMERGENCY LIGHT TEST	ABA636A3

(Continued on next page)

32-AAA23851L

Keyswitch Assemblies, Type 1



Type 1

Function	Keyswitch Part No.	Lock Part No.	Key	Housing Part No.	Housing Marking	Rotary Switch Part No.
SES Phase I (AZ) (Active Low)	AAA23851L140	AAA431AF28	AZFS	AAA396PJ132	RESET, OFF, ON, FIRE RECALL	ABA636A6
SES Phase I Remote (AZ) (Active Low)	AAA23851L141			AAA396PJ133	OFF, ON, FIRE RECALL	ABA636A5
SES PHASE II (AZ) (Active Low)	AAA23851L142			AAA431AF29	AAA396PJ134	OFF, HOLD, ON, FIRE OPERATION
Emergency Light Test (French)	AAA23851L143	AAA431AF5	UTB	AAA396PJ168	ARRET MARCHÉ SAI LUMIÈRE D'URGENCE	ABA636A3
Elevator Communication Failure	AAA23851L144	AAA431AF20		AAA396PJ169	OFF, ON, ALARM RESET	ABA636A3
Fan, 2 Speed (Spanish Markings)	AAA23851L145	AAA431AF1	UTA	AAA396PJ170	II, O, I, VENT	ABA636A4
Light (Spanish Marking)	AAA23851L146	AAA431AF24	UTB	AAA396PJ171	OFF, ON, LUZ	ABA636A5
SES Phase II (Pre 2000) (Spanish)	AAA23851L147	AAA431AF17	UTF	AAA396PJ172	OFF, HOLD, ON, SERV BOMBEROS	ABA636A7
SES Phase I Remote (Spanish)	AAA23851L148			AAA396PJ173	BYPASS, HOLD, ON, SERV BOMBEROS	ABA636A6
Independent Service (Spanish)	AAA23851L149	AAA431AF14	UTA	AAA396PJ174	GRUPO, INDEP, SERV INDEP	ABA636A5
Attendant Service (Spanish)	AAA23851L150			AAA396PJ175	OFF, ON, ASCENSORISTA	
Attendant Service (English)	AAA23851L151			AAA396PJ187	OFF, ON, ATTENDANT	
Card Reader	AAA23851L152			AAA396PJ176	OFF, ON, CARD READER	
Fan / Light	AAA23851L153			AAA396PJ177	LIGHT, OFF, FAN LIGHT	
Park & Shut Down	AAA23851L154			AAA396PJ178	OFF, ON, PARK & SHUTDOWN	
Voice / Tone	AAA23851L155			AAA396PJ179	OFF, ON, VOICE / TONE	
Swing Car	AAA23851L156			AAA431AF14	UTA	
Hoistway Vent	AAA23851L157	AAA396PJ181	OFF, ON, HOISTWAY VENT			
Code Blue	AAA23851L158	AAA431AF13	UTD	AAA396PJ182	OFF, ON, CODE BLUE	
Sabbath	AAA23851L159	AAA431AF14	UTA	AAA396PJ183	OFF, ON, SABBATH	
SES Phase I (Louisiana)	AAA23851L160	AAA431AT81	LA-UEK	AAA396PJ90	RESET, OFF, ON, FIRE RECALL	ABA636A6
SES Phase I Remote (Louisiana)	AAA23851L161	AAA431AT82		AAA396PJ91	OFF, ON, FIRE RECALL	ABA636A5
SES Phase II (Louisiana)	AAA23851L162	AAA431AT83		AAA396PJ129	OFF, HOLD, ON, FIRE OPERATION	ABA636A7

(Continued on next page)

Keyswitch Assemblies, Type 1

32-AAA23851L



Type 1

Function	Keyswitch Part No.	Lock Part No.	Key	Housing Part No.	Housing Marking	Rotary Switch Part No.
3 Speed Fan (English Marking)	AAA23851L171	AAA431AF1	UTA	AAA396PJ184	OFF, 1, 2, 3 FAN	ABA636A22
3 Speed Fan (French Marking)	AAA23851L172			AAA396PJ185	O, I, II, III	
Card Reader (French Marking)	AAA23851L173	AAA431AF14		AAA396PJ186	ARRET, MARCHE LECTURE DE CARTE	ABA636A6
Terminal By – Pass (NYC)	AAA23851L174	AAA431AF26	UTH	AAA396PJ190	NORMAL, BYPASS TERMINAL BY-PASS	ABA636A13
Code Blue (NON- MA HALL)	AAA23851L175	AAA431AF13	UTD	AAA396PJ182	OFF, ON CODE BLUE	ABA636A3

- * Customer to specify car numbers or car letters for these keyswitches.
- ** Not supplied individually. Order the appropriate lock part number.

Keyswitch Assemblies, Type 2

32-AAA23851L



Function	Keyswitch Part No.	Lock Part No.	Key	Housing Part No.	Housing Marking	Rotary Switch Part No.
Elevator Emergency Power	AAA23851L15	AAA431AT15	5957 (CHI)	AAA396PJ160	AUTO, As Specified*	--**
	AAA23851L16	AAA431AT16	3502 (MA)	AAA396PJ160	AUTO, As Specified*	--**
	AAA23851L17	AAA431AT17	2642 (NY)	AAA396PJ160	AUTO, As Specified*	--**
	AAA23851L18	AAA431AT18	BFD1 (CT)	AAA396PJ159	AUTO, As Specified*	ABA636A5
	AAA23851L19	AAA431AT19		AAA396PJ144	AUTO,1, 2	--**
	AAA23851L20	AAA431AT20		AAA396PJ145	AUTO,1, 2, 3	--**
	AAA23851L21	AAA431AT21		AAA396PJ146	AUTO,1, 2, 3, 4	--**
	AAA23851L22	AAA431AT22		AAA396PJ147	AUTO,1, 2, 3, 4, 5	--**
	AAA23851L23	AAA431AT23		AAA396PJ148	AUTO, 1, 2, 3, 4, 5, 6	--**
	AAA23851L24	AAA431AT24		AAA396PJ149	AUTO,1, 2, 3, 4, 5, 6, 7	--**

* Customer to specify car numbers or car letters for these Keyswitches.
 ** Not supplied individually. Order the appropriate lock part number.

32-AAA23851L

Keyswitch Assemblies, Type 3



Type 3

Function	Keyswitch Part No.	Lock Part No.	Key	Housing Part No.	Housing Marking	Rotary Switch Part No.
Floor Lockout (In Car)	AAA23851L138	AAA431AF23	UTC	CAA00340AAC004	OFF, ON, FLOOR LOCKOUT	ABA636A5

Keyswitch Assemblies, Type 4

32-AAA23851L



Type 4

Function	Keyswitch Part No.	Lock Part No.	Key	Housing Part No.	Housing Marking	Rotary Switch Part No.
Elevator Emergency Power	AAA23851L1	AAA431AT1	FEO-K1	AAA396PJ159	AUTO, As Specified*	ABA636A5
	AAA23851L2	AAA431AT2		AAA396PJ144	AUTO,1, 2	--**
	AAA23851L3	AAA431AT3		AAA396PJ145	AUTO,1, 2, 3	--**
	AAA23851L4	AAA431AT4		AAA396PJ146	AUTO,1, 2, 3, 4	--**
	AAA23851L5	AAA431AT5		AAA396PJ147	AUTO,1, 2, 3, 4, 5	--**
	AAA23851L6	AAA431AT6		AAA396PJ148	AUTO,1, 2, 3, 4, 5, 6	--**
	AAA23851L7	AAA431AT7		AAA396PJ149	AUTO,1, 2, 3, 4, 5, 6, 7	--**
	AAA23851L8	AAA431AT8	UTF	AAA396PJ159	AUTO, As Specified*	ABA636A5
	AAA23851L9	AAA431AT9		AAA396PJ144	AUTO,1, 2	--**
	AAA23851L10	AAA431AT10		AAA396PJ145	AUTO,1, 2, 3	--**
	AAA23851L11	AAA431AT11		AAA396PJ146	AUTO,1, 2, 3, 4	--**
	AAA23851L12	AAA431AT12		AAA396PJ147	AUTO,1, 2, 3, 4, 5	--**
	AAA23851L13	AAA431AT13		AAA396PJ148	AUTO,1, 2, 3, 4, 5, 6	--**
	AAA23851L14	AAA431AT14		AAA396PJ149	AUTO,1, 2, 3, 4, 5, 6, 7	--**
	AAA23851L25	AAA431AT25	AZFS	AAA396PJ159	AUTO, As Specified*	ABA636A5
	AAA23851L26	AAA431AT26		AAA396PJ144	AUTO,1, 2	--**
	AAA23851L27	AAA431AT27		AAA396PJ145	AUTO,1, 2, 3	--**
	AAA23851L28	AAA431AT28		AAA396PJ146	AUTO,1, 2, 3, 4	--**
	AAA23851L29	AAA431AT29		AAA396PJ147	AUTO,1, 2, 3, 4, 5	--**
	AAA23851L30	AAA431AT30		AAA396PJ148	AUTO,1, 2, 3, 4, 5, 6	--**
	AAA23851L31	AAA431AT31		AAA396PJ149	AUTO,1, 2, 3, 4, 5, 6, 7	--**
	AAA23851L32	AAA431AT32	Florida Zone 1	AAA396PJ160	AUTO, As Specified*	ABA636A5
	AAA23851L33	AAA431AT33		AAA396PJ161	AUTO,1, 2	--**
	AAA23851L34	AAA431AT34		AAA396PJ162	AUTO,1, 2, 3	--**
	AAA23851L35	AAA431AT35		AAA396PJ163	AUTO,1, 2, 3, 4	--**
	AAA23851L36	AAA431AT36		AAA396PJ164	AUTO,1, 2, 3, 4, 5	--**
	AAA23851L37	AAA431AT37		AAA396PJ165	AUTO,1, 2, 3, 4, 5, 6	--**
	AAA23851L38	AAA431AT38		AAA396PJ166	AUTO,1, 2, 3, 4, 5, 6, 7	--**
	AAA23851L39	AAA431AT39	Florida Zone 2	AAA396PJ160	AUTO, As Specified*	ABA636A5
	AAA23851L40	AAA431AT40		AAA396PJ161	AUTO,1, 2	--**
	AAA23851L41	AAA431AT41		AAA396PJ162	AUTO,1, 2, 3	--**
	AAA23851L42	AAA431AT42		AAA396PJ163	AUTO,1, 2, 3, 4	--**
	AAA23851L43	AAA431AT43		AAA396PJ164	AUTO,1, 2, 3, 4, 5	--**
	AAA23851L44	AAA431AT44		AAA396PJ165	AUTO,1, 2, 3, 4, 5, 6	--**
	AAA23851L45	AAA431AT45		AAA396PJ166	AUTO,1, 2, 3, 4, 5, 6, 7	--**
	AAA23851L46	AAA431AT46	Florida Zone 3	AAA396PJ160	AUTO, As Specified*	ABA636A5
	AAA23851L47	AAA431AT47		AAA396PJ161	AUTO,1, 2	--**
	AAA23851L48	AAA431AT48		AAA396PJ162	AUTO,1, 2, 3	--**
	AAA23851L49	AAA431AT49		AAA396PJ163	AUTO,1, 2, 3, 4	--**

* Customer to specify car numbers or car letters for these keyswitches.

** Not supplied individually. Order the appropriate lock part number.

(Continued on next page)

32-AAA23851L

Keyswitch Assemblies, Type 4



Type 4

Function	Keyswitch Part No.	Lock Part No.	Key	Housing Part No.	Housing Marking	Rotary Switch Part No.
Elevator Emergency Power	AAA23851L50	AAA431AT50	Florida Zone 3	AAA396PJ164	AUTO,1, 2, 3, 4, 5	--**
	AAA23851L51	AAA431AT51		AAA396PJ165	AUTO,1, 2, 3, 4, 5, 6	--**
	AAA23851L52	AAA431AT52		AAA396PJ166	AUTO,1, 2, 3, 4, 5, 6, 7	--**
	AAA23851L53	AAA431AT53	Florida Zone 4	AAA396PJ160	AUTO, As Specified*	ABA636A5
	AAA23851L54	AAA431AT54		AAA396PJ161	AUTO,1, 2	--**
	AAA23851L55	AAA431AT55		AAA396PJ162	AUTO,1, 2, 3	--**
	AAA23851L56	AAA431AT56		AAA396PJ163	AUTO,1, 2, 3, 4	--**
	AAA23851L57	AAA431AT57		AAA396PJ164	AUTO,1, 2, 3, 4, 5	--**
	AAA23851L58	AAA431AT58		AAA396PJ165	AUTO,1, 2, 3, 4, 5, 6	--**
	AAA23851L59	AAA431AT59		AAA396PJ166	AUTO,1, 2, 3, 4, 5, 6, 7	--**
	AAA23851L60	AAA431AT60		AAA396PJ160	AUTO, As Specified*	ABA636A5
	AAA23851L61	AAA431AT61	AAA396PJ161	AUTO,1, 2	--**	
	AAA23851L62	AAA431AT62	AAA396PJ162	AUTO,1, 2, 3	--**	
	AAA23851L63	AAA431AT63	AAA396PJ163	AUTO,1, 2, 3, 4	--**	
	AAA23851L64	AAA431AT64	AAA396PJ164	AUTO,1, 2, 3, 4, 5	--**	
	AAA23851L65	AAA431AT65	AAA396PJ165	AUTO,1, 2, 3, 4, 5, 6	--**	
	AAA23851L66	AAA431AT66	AAA396PJ166	AUTO,1, 2, 3, 4, 5, 6, 7	--**	
	AAA23851L67	AAA431AT67	AAA396PJ160	AUTO, As Specified*	ABA636A5	
	AAA23851L68	AAA431AT68	AAA396PJ161	AUTO,1, 2	--**	
	AAA23851L69	AAA431AT69	AAA396PJ162	AUTO,1, 2, 3	--**	
	AAA23851L70	AAA431AT70	AAA396PJ163	AUTO,1, 2, 3, 4	--**	
	AAA23851L71	AAA431AT71	AAA396PJ164	AUTO,1, 2, 3, 4, 5	--**	
	AAA23851L72	AAA431AT72	AAA396PJ165	AUTO,1, 2, 3, 4, 5, 6	--**	
	AAA23851L73	AAA431AT73	AAA396PJ166	AUTO,1, 2, 3, 4, 5, 6, 7	--**	
	AAA23851L74	AAA431AT74	AAA396PJ160	AUTO, As Specified*	ABA636A5	
	AAA23851L75	AAA431AT75	AAA396PJ161	AUTO,1, 2	--**	
	AAA23851L76	AAA431AT76	AAA396PJ162	AUTO,1, 2, 3	--**	
	AAA23851L77	AAA431AT77	AAA396PJ163	AUTO,1, 2, 3, 4	--**	
	AAA23851L78	AAA431AT78	AAA396PJ164	AUTO,1, 2, 3, 4, 5	--**	
	AAA23851L79	AAA431AT79	AAA396PJ165	AUTO,1, 2, 3, 4, 5, 6	--**	
AAA23851L80	AAA431AT80	AAA396PJ166	AUTO,1, 2, 3, 4, 5, 6, 7	--**		

* Customer to specify car numbers or car letters for these keyswitches.

** Not supplied individually. Order the appropriate lock part number.

(Continued on next page)

Keyswitch Assemblies, Type 4

32-AAA23851L



Type 4

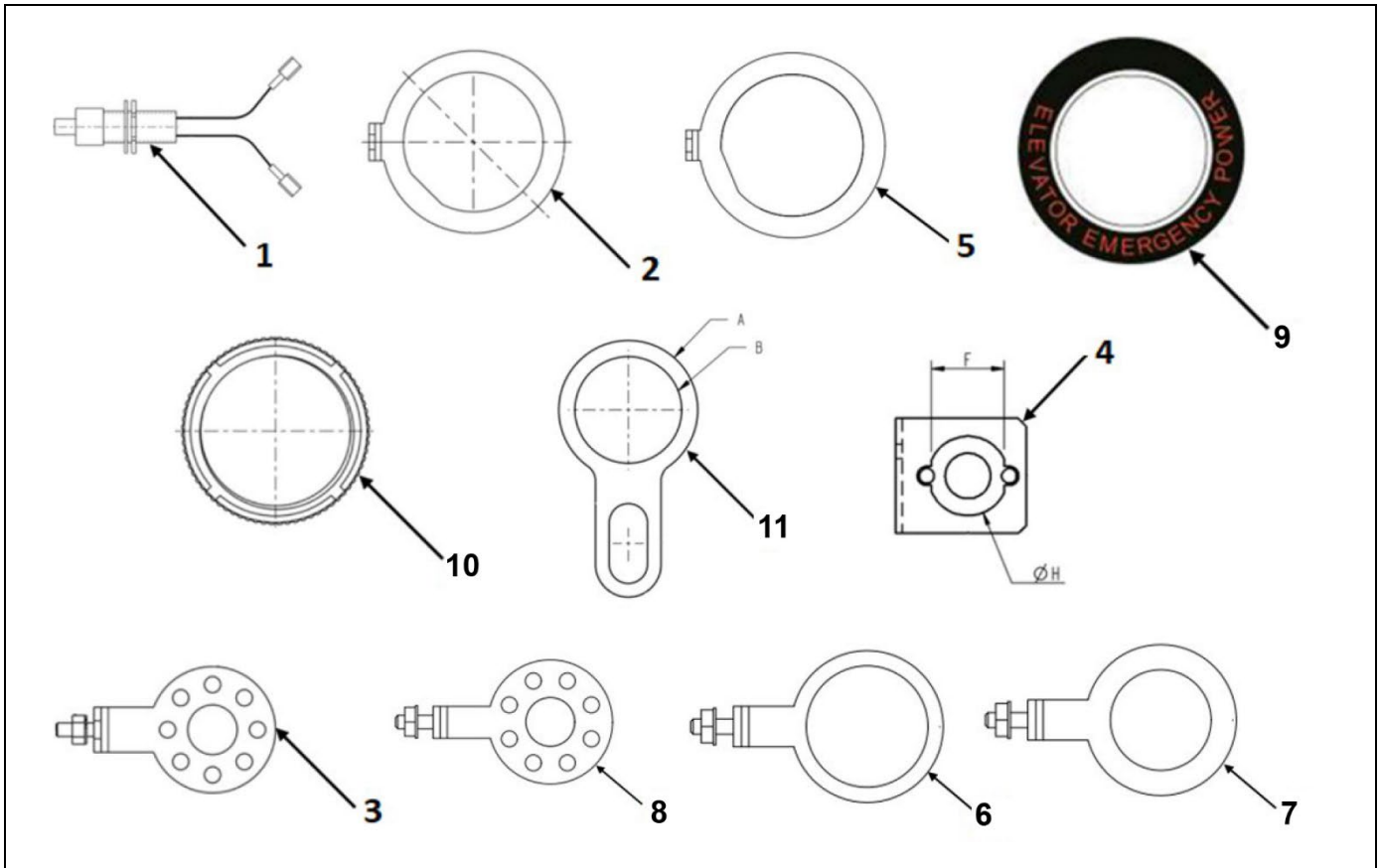
Function	Keyswitch Part No.	Lock Part No.	Key	Housing Part No.	Housing Marking	Rotary Switch Part No.
Elevator Emergency Power (As Spec.) (Louisiana)	AAA23851L163	AAA431AT84	LA-UEK	AAA396PJ160	AUTO, As Specified*	ABA636A5
Elevator Emergency Power (AUTO/MANUAL) (Louisiana)	AAA23851L164	AAA431AT84		AAA396PJ160	AUTO, As Specified*	ABA636A5
Elevator Emergency Power (2 Car) (Louisiana)	AAA23851L165	AAA431AT85		AAA396PJ161	AUTO, 1, 2	--**
Elevator Emergency Power (3 Car) (Louisiana)	AAA23851L166	AAA431AT86		AAA396PJ162	AUTO, 1, 2, 3	--**
Elevator Emergency Power (4 Car) (Louisiana)	AAA23851L167	AAA431AT87		AAA396PJ163	AUTO, 1, 2, 3, 4	--**
Elevator Emergency Power (5 Car) (Louisiana)	AAA23851L168	AAA431AT88		AAA396PJ164	AUTO, 1, 2, 3, 4, 5	--**
Elevator Emergency Power (6 Car) (Louisiana)	AAA23851L169	AAA431AT89		AAA396PJ165	AUTO, 1, 2, 3, 4, 5, 6	--**
Elevator emergency power (7 Car) (Louisiana)	AAA23851L170	AAA431AT90		AAA396PJ166	AUTO, 1, 2, 3, 4, 5, 6, 7	--**
Elevator Emergency Power	AAA23851L176	AAA431AT9	UTF	AAA396PJ159	AUTO, 2-pos. As Specified*	--**
	AAA23851L177	AAA431AT10			AUTO, 3-pos. As Specified*	--**
	AAA23851L178	AAA431AT11			AUTO, 4-pos. As Specified*	--**
	AAA23851L179	AAA431AT12			AUTO, 5-pos. As Specified*	--**
	AAA23851L180	AAA431AT13			AUTO, 6-pos. As Specified*	--**
	AAA23851L181	AAA431AT14			AUTO, 7-pos. As Specified*	--**
	AAA23851L182	AAA431AT2	FEO-K1		AUTO, 2-pos. As Specified*	--**
	AAA23851L183	AAA431AT3			AUTO, 3-pos. As Specified*	--**
	AAA23851L184	AAA431AT4			AUTO, 4-pos. As Specified*	--**
	AAA23851L185	AAA431AT5			AUTO, 5-pos. As Specified*	--**
	AAA23851L186	AAA431AT6			AUTO, 6-pos. As Specified*	--**
	AAA23851L187	AAA431AT7			AUTO, 7-pos. As Specified*	--**

* Customer to specify car numbers or car letters for these keyswitches.

** Not supplied individually. Order the appropriate lock part number.

Common Assembly Parts

32-AAA23851L



Ref. No	Part No.	Description	Used For:
1	AAA629AF1	Assembly, LED	AAA23851L81-137; 140-142; 160-161 & 166
2	AAA316JCP1	Bracket, Keyswitch	AAA23851L81-137 & 139-162
3	AAA316JCP3		
4	AAA316GUA7	Bracket, Keyswitch F = 17.6 mm, H = 19.3 mm	AAA23851L138
5	AAA316JCP10	Bracket, Keyswitch Mounted	AAA23851L1-14; 25-80; 163-170 & 176-187
6	AAA316JCP15	Bracket, Lock Mounted	AAA23851L1-14; 25-31 & 176-187
7	AAA316JCP16		AAA23851L32-80 & 163-170
8	AAA316JCP14	Bracket, Rotary Switch Mounted	AAA23851L1-14, 25-80, 163-170, 176-187
9	AAA340CV31	Collar, Keyswitch	AAA23851L1-80 & 163-170
10	AAA72JZ1	Nut, Locking	AAA23851L1-137 & 139-175
11	AAA131KR1	Washer, Ground; A = 25.4 mm, B = 19.5 mm	AAA23851L18-24; 81-102; 134-137; 139-159 & 171-175
	AAA131KR2	Washer, Ground; A = 28.6 mm, B = 24 mm	AAA23851L15-17; 103-133; 160-162*

* 2 pcs of AAA131KR2 for AAA23851L160-162.