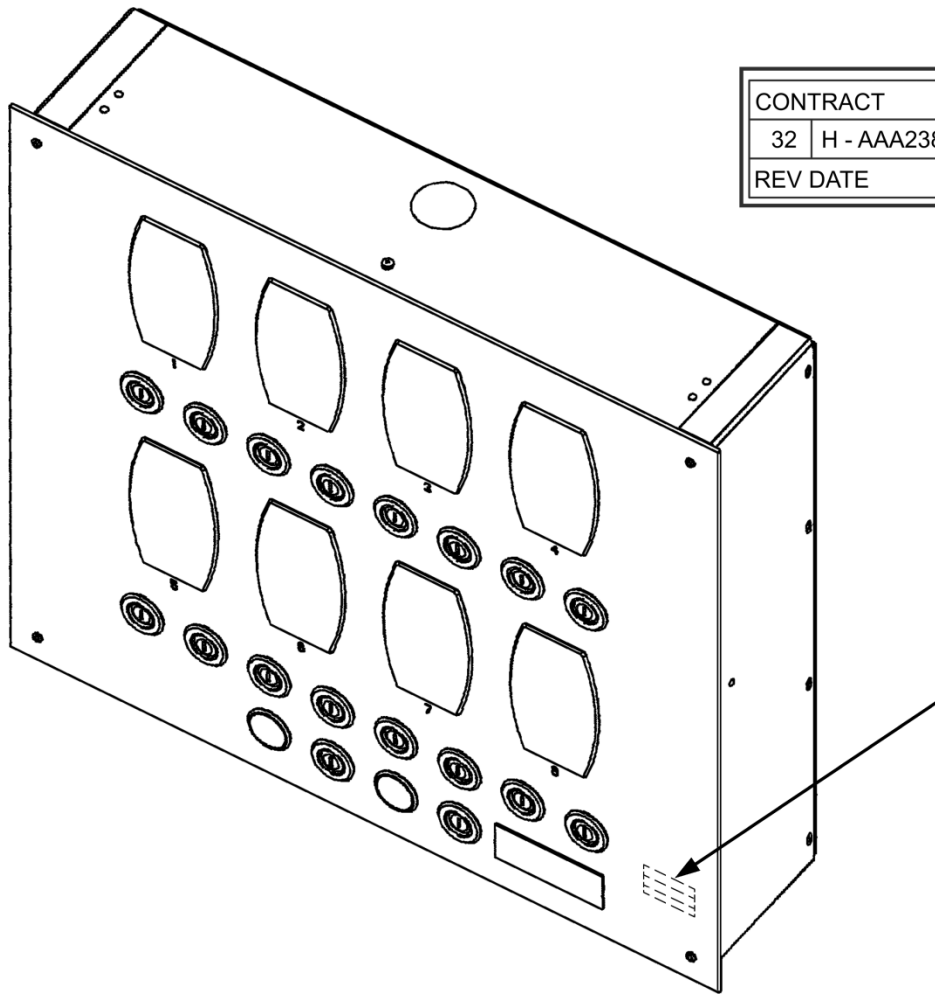


Lobby Panel Assembly

Spare Parts Leaflet

32-AAA23800H

May 26, 2010 / Page 1 of 8



CONTRACT		
32	H - AAA23800H	
REV DATE		

OTIS

Safety First!

SERVICE ENGINEERING
Otis Elevator Company
Bloomfield, Connecticut USA

Leaflet Description

This leaflet describes the lowest replaceable units (LRUs) for the Series 5 lobby panel. The panel uses the remote serial link communication slim display.

Leaflet Revisions

Date Revised	Subject Matter Expert	Reason for Revision
February 25, 2004	Bill Mattox	New SPL.
August 2, 2005	Joseph Zych	Added AAA396PJ keyswitch housing information p.3 and updated parts on p.4.
May 26, 2010	Joseph Zych	Added new fire instruction plate; updated PCB assembly and line terminator.

Related Drawings

Drawing No.	Title	Drawing No.	Title
AAA23800H	Lobby Panel Assembly	AAA26800AE	Lobby Panel Sub-Assembly
---	---	---	---

Related Documents

Document ID	Title
SPL 31-AAA23851A	Fixture – Part, Key Button (Series 5 Fixture)
SPL 31-AAA23851B	Hall Option Assembly: Landing Fixture Jewel
SPL 31-AAA340CV	Fixture – Part, Keyswitch Collars

Subject Matter Expert

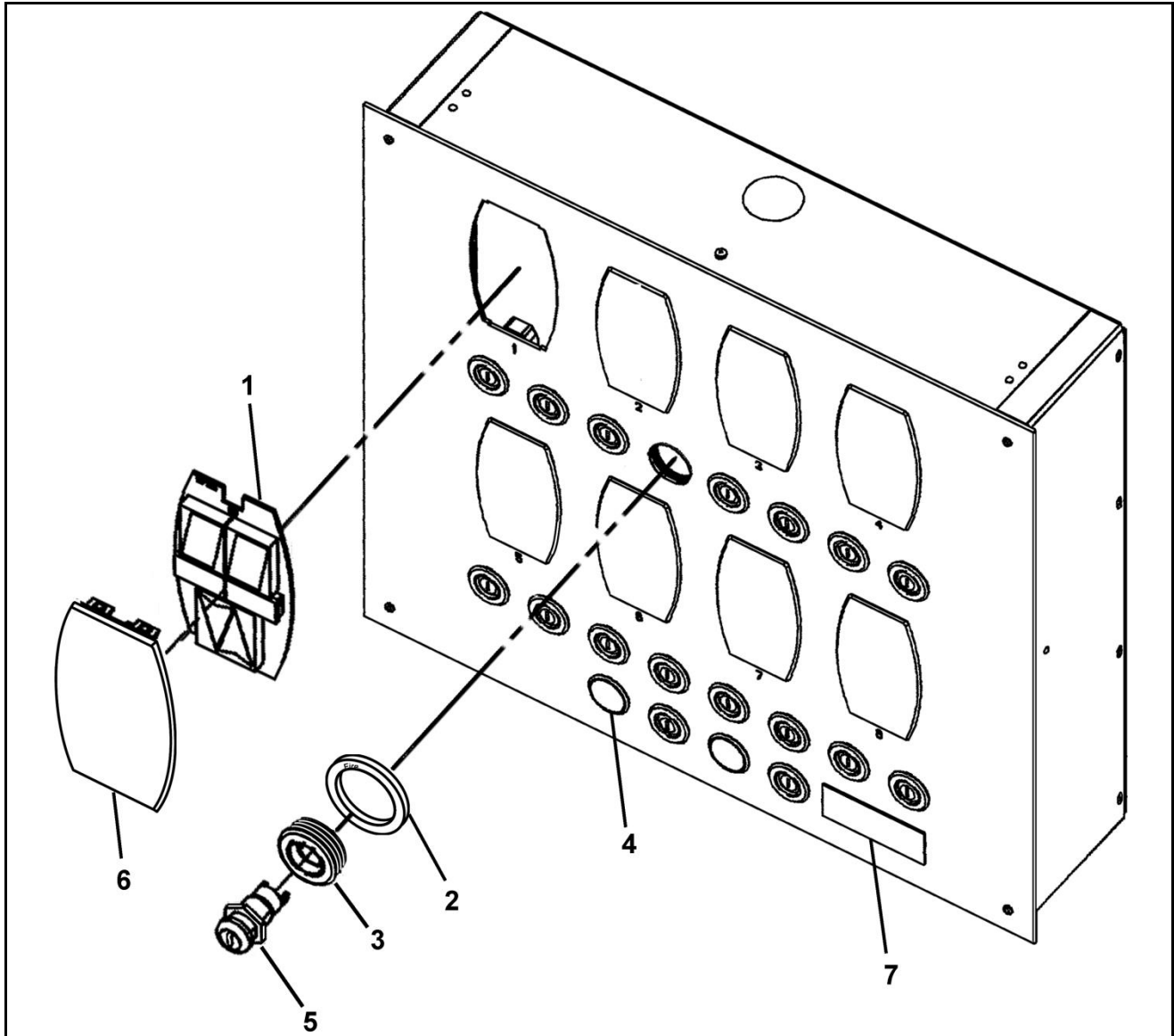
Name	Department
Joseph Zych	OSC Service Engineering







About Spare Parts Leaflets...

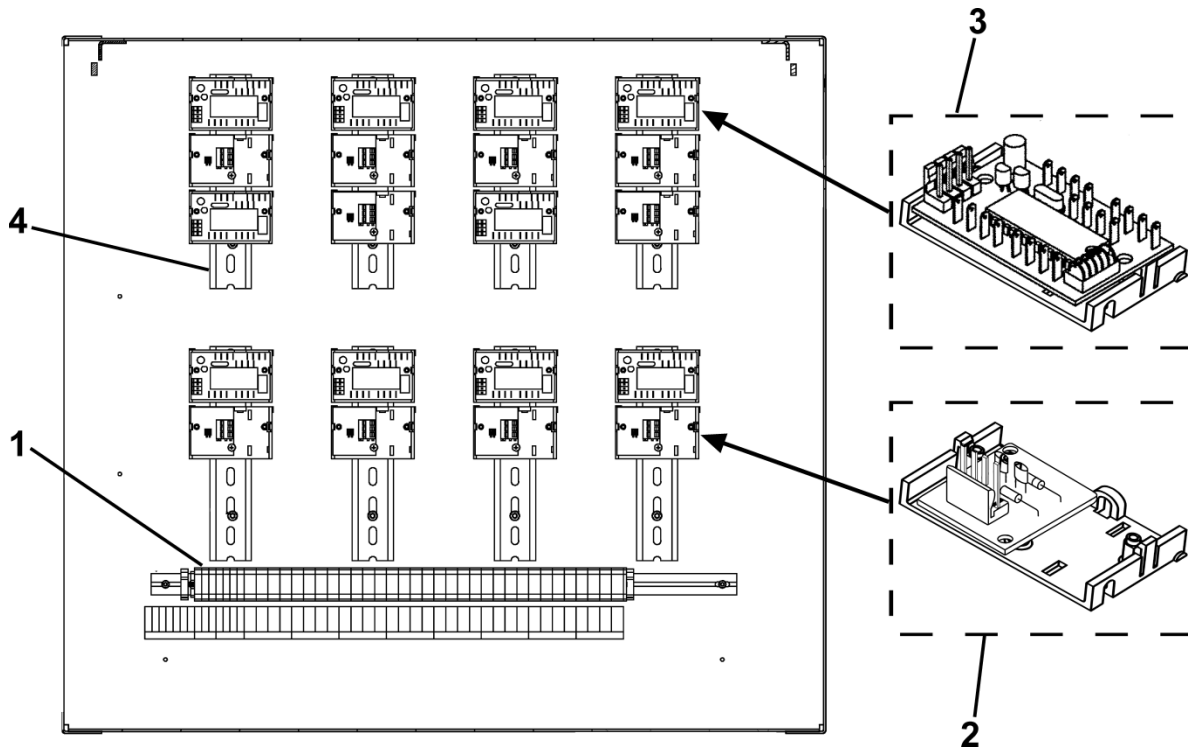
This document lists the lowest replaceable units (LRUs) for the standard version of the product. The LRUs are chosen by a team of Otis associates representing engineering and manufacturing.

While goal of this document is to make parts identification as easy as possible, the document cannot be all-inclusive. Elevator and escalator contracts classified as “special” or “custom” are not addressed here. For such contracts, please refer to specified information, the contract folder, TIPs, Field Education Articles, Construction Letters, etc. for further information.

If you have any suggestions about this document, please contact the subject matter expert listed on this page.



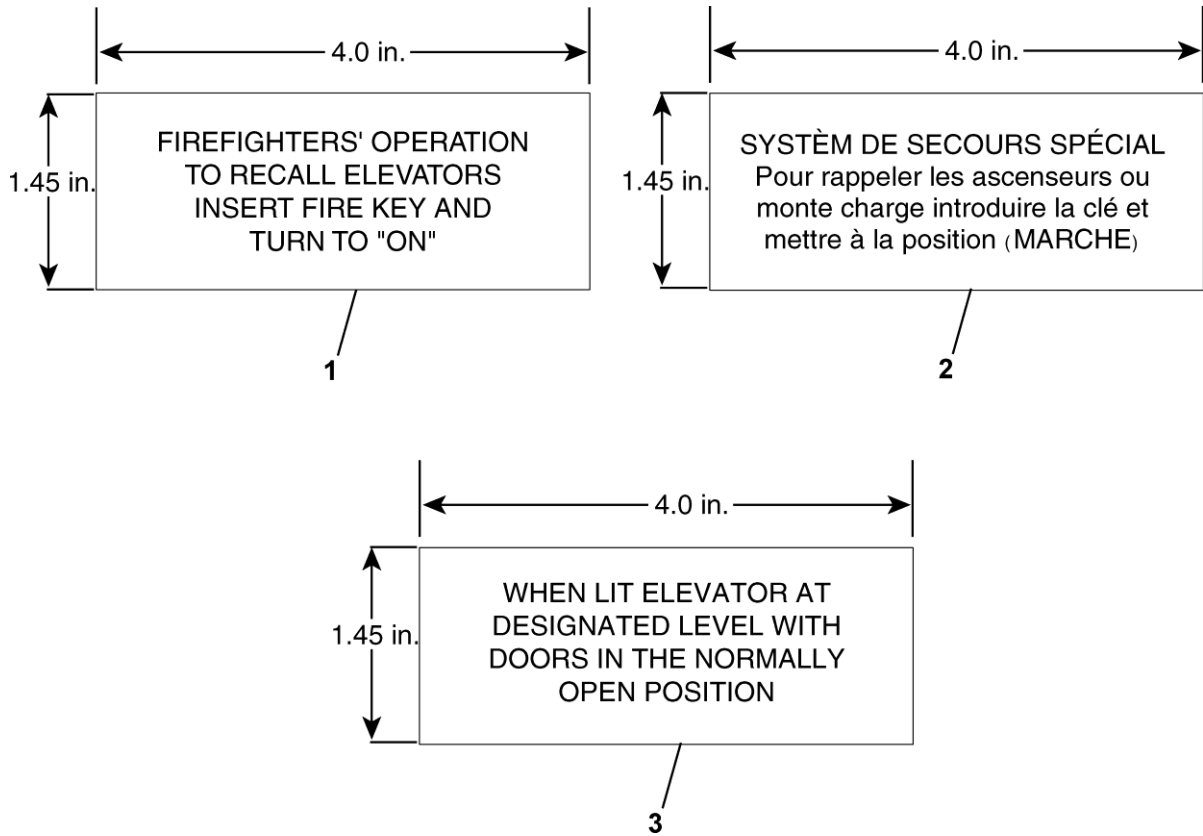
AAA23800H		
REF. No.	PART No.	DESCRIPTION
1	---	Assembly, Flat Slim Display, Type AAA23600AB,  SPL 22-AAA23600AB
2	---	Collar Bilingual, Keyswitch/Jewel, Type AAA340CV,  SPL 31-AAA340CV
3	---	Housing, Keyswitch, Type AAA396PJ,  SPL 32-AAA23851A
4	---	Module, Jewel, Type AAA23851B,  SPL 32-AAA23851B
5	---	Module, Keyswitch, Type AAA23851A,  SPL 32-AAA23851A
6	AAA443ES2	Lens, Slim Display
7	---	Plate, Firefighters' Instruction,  Page 5



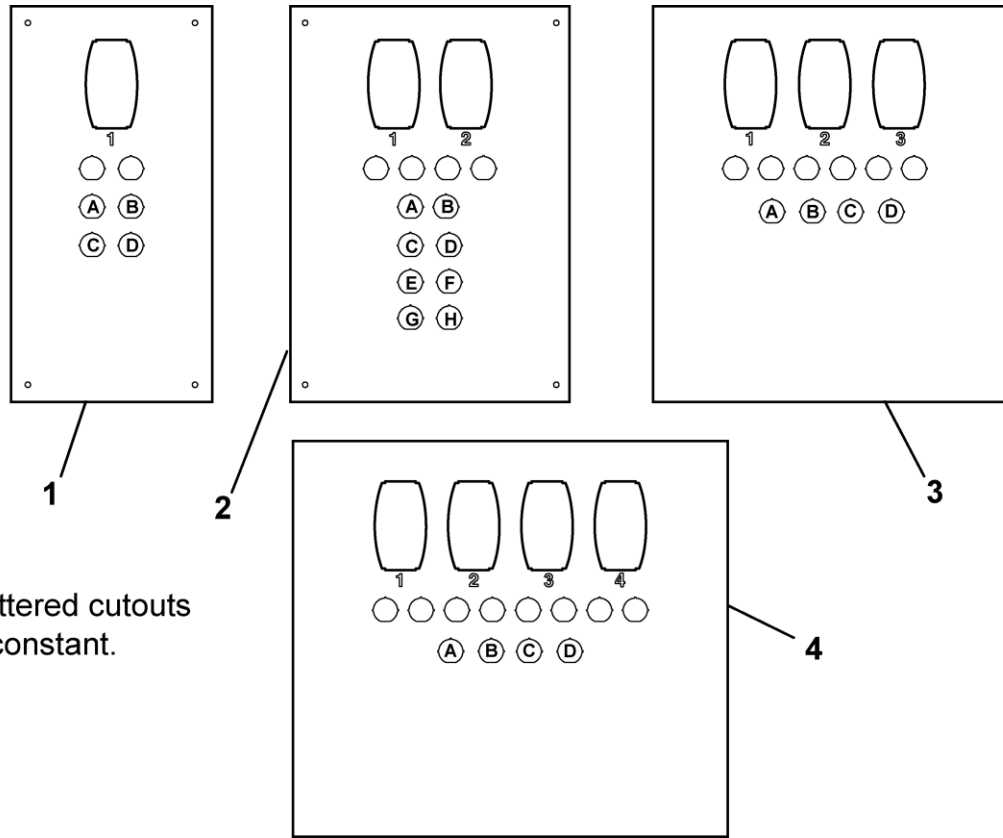
AAA23800H		
REF. No.	PART No.	DESCRIPTION
1	AAA21303CZ1	Assembly, Connector, Terminal, 1 Car Group
	AAA21303CZ2	Assembly, Connector, Terminal, 2 Car Group
	AAA21303CZ3	Assembly, Connector, Terminal, 3 Car Group
	AAA21303CZ4	Assembly, Connector, Terminal, 4 Car Group
2	AAA26810C1	PC Board, Line Terminator
	AAB26810A2	Line Terminator, 75 Ohms
3	GFA23550D1	PC Board, Remote Serial Link (RS-5)
	AAB26810A1	PC Board, Remote Serial Link (RS-5)
4	401B11	Rail, DIN, 7.12 in. L
	401B26	Rail, DIN, 9.0 in. L

Firefighters' Plates

32-AAA23800H



AAA23800H				
REF. No.	PART No.	Fire Instruction Plate Application Code	MATERIAL	FINISH
1	AAA102VB1	ASME A17.1/CAN	Stainless Steel, Mill 4	MF4
	AAA102VB3	B44 2000	Stainless Steel, Mirror	SS8
	AAA102VB4	Rule 2.27.7.1	Bronze, Brushed Satin	BR7
	AAA102VB5	Barclay CA Code,	Bronze, Mirror	BR8
	AAA102VB111	Title 8 Sec. 3041(4)	Ferritic Steel	Mill 4-FS4
2	AAA102VB87	ASME A17.1/CAN	Stainless Steel, Mill 4	MF4
	AAA102VB89		Bronze, Brushed Satin	SS8
	AAA102VB90	B44 2000, French	Bronze, Mirror	BR7
	AAA102VB91		Bronze Mirror	BR8
	AAA102VB112		Ferritic Steel	Mill 4-FS4
3	AAA102VB80	ASME A17.1/CAN B44 2000, Rule 2.27.2.4.3 (required with emergency power, keyswitch in lobby panel)	Polycarbonate, Clear Velvet Matte	---



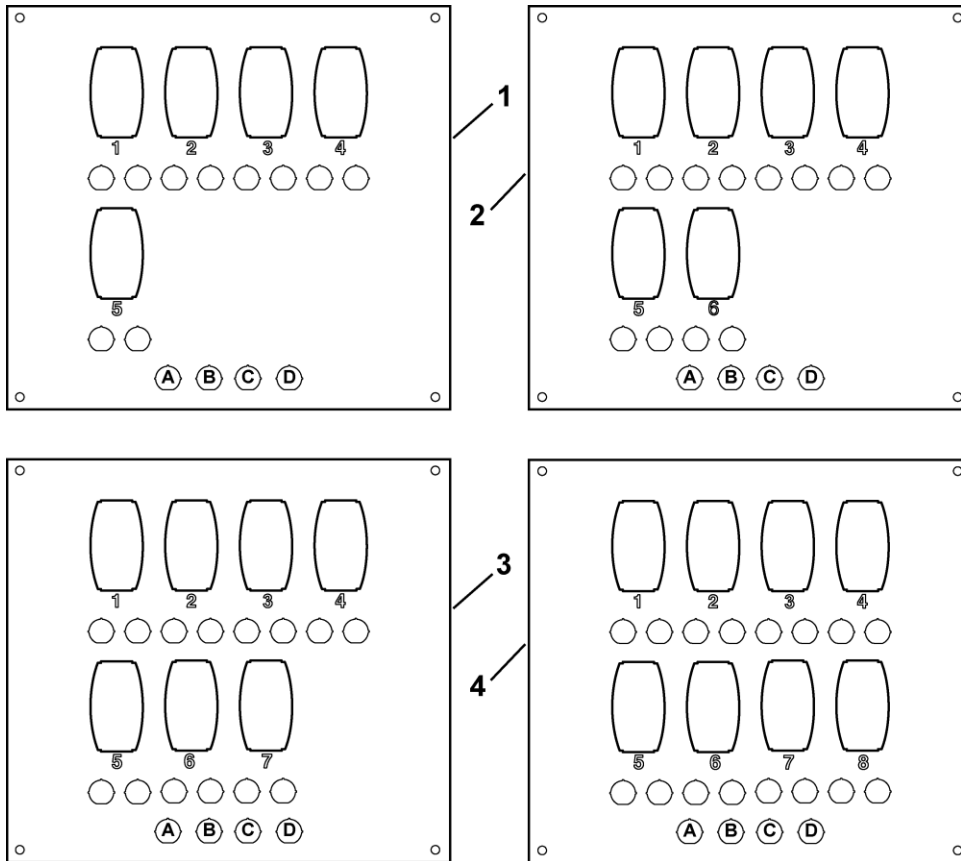
NOTE: Unlettered cutouts are constant.

AAA23800H		
REF. No.	PART No.	DESCRIPTION
1	AAA147RT100-*	Face Plate, 1 Car
	AAA147RT101-*	Face Plate, 1 Car, with Cutouts A and B
	AAA147RT102-*	Face Plate, 1 Car, with Cutouts A-D
2	AAA147RT200-*	Face Plate, 2 Cars
	AAA147RT201-*	Face Plate, 2 Cars, with Cutouts A and B
	AAA147RT202-*	Face Plate, 2 Cars with Cutouts A-D
	AAA147RT203-*	Face Plate, 2 Cars with Cutouts A-F
	AAA147RT204-*	Face Plate, 2 Cars with Cutouts A-H
3	AAA147RT300-*	Face Plate, 3 Cars
	AAA147RT301-*	Face Plate, 3 Cars, with Cutouts B and C
	AAA147RT302-*	Face Plate, 3 Cars, with Cutouts A-D
4	AAA147RT400-*	Face Plate, 4 Cars
	AAA147RT401-*	Face Plate, 4 Cars, with Cutouts B and C
	AAA147RT402-*	Face Plate, 4 Cars, with Cutouts A-D

* Indicate desired finish as SSB = brushed stainless steel, SSM = mirror stainless steel, GOLDB = brushed brass, and GOLDM = mirror brass.

Face Plates, 5–8 Cars

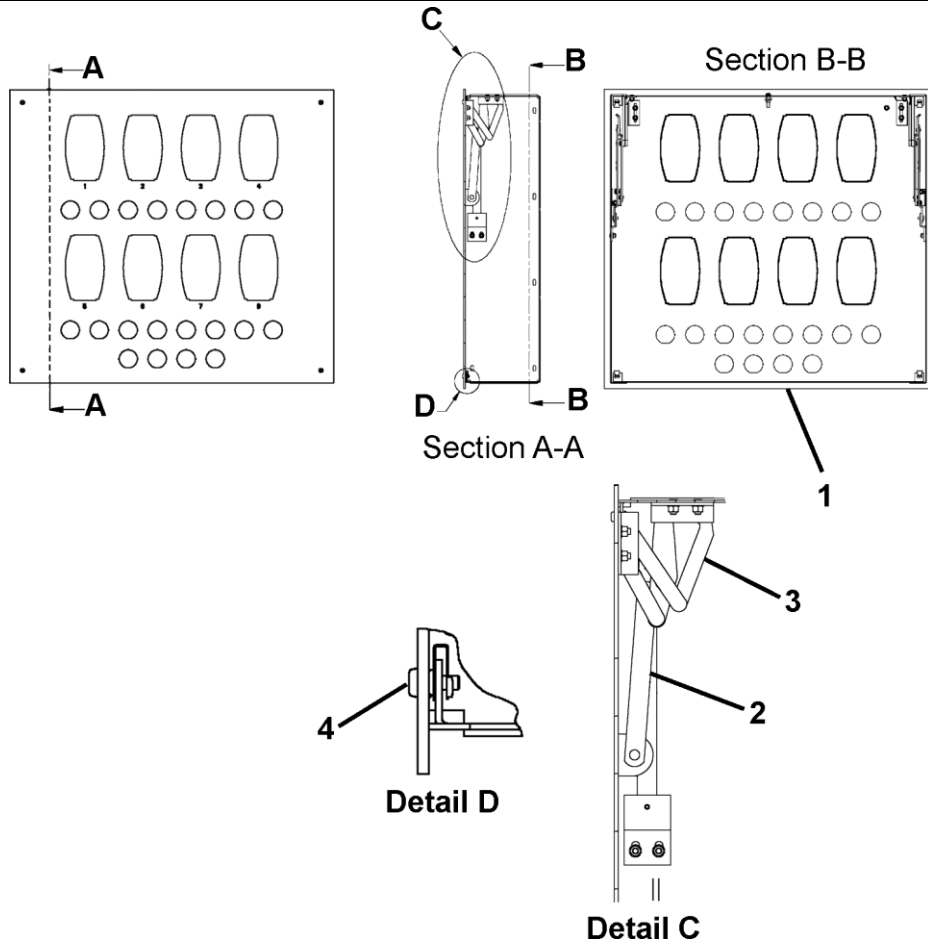
32-AAA23800H



NOTE: Unlettered cutouts are constant.

AAA23800H		
REF. No.	PART No.	DESCRIPTION
1	AAA147RT500-*	Face Plate, 5 Cars
	AAA147RT501-*	Face Plate, 5 Cars, with Cutouts B and C
	AAA147RT502-*	Face Plate, 5 Cars, with Cutouts A-D
2	AAA147RT600-*	Face Plate, 6 Cars
	AAA147RT601-*	Face Plate, 6 Cars, with Cutouts B and C
	AAA147RT602-*	Face Plate, 6 Cars, with Cutouts A-D
3	AAA147RT700-*	Face Plate, 7 Cars
	AAA147RT701-*	Face Plate, 7 Cars, with Cutouts B and C
	AAA147RT702-*	Face Plate, 7 Cars, with Cutouts A-D
4	AAA147RT800-*	Face Plate, 8 Cars
	AAA147RT801-*	Face Plate, 8 Cars with Cutouts B and C
	AAA147RT802-*	Face Plate, 8 Cars with Cutouts A-D

* Indicate desired finish as SSB = brushed stainless steel, SSM = mirror stainless steel, GOLDB = brushed brass, and GOLDM = mirror brass.



AAA23800H		
REF. No.	PART No.	DESCRIPTION
1	AAA313DA1	Box, 1 Car
	AAA313DA2	Box, 2 Cars
	AAA313DA3	Box, 3 Cars
	AAA313DA4	Box, 4-8 Cars
2	AAA331CS3	Brace, Leg, Left
	AAA331CS4	Brace, Leg, Right
3	391BD1	Hinge, Left
	391BD2	Hinge, Right
4	AAA124HE1	Screw, M4, Tamper Proof, L = 12 mm, SSB (brushed stainless)
	AAA124HE2	Screw, M4, Tamper Proof, L = 12 mm, GOLDB (brushed bronze)
	AAA124HE3	Screw, M4, Tamper Proof, L = 12 mm, SSM (mirror stainless)
	AAA124HE4	Screw, M4, Tamper Proof, L = 12 mm, GOLDM (mirror bronze)
	AAA124HE5	Screw, M4, Tamper Proof, L = 20 mm, SSB (brushed stainless)
	AAA124HE6	Screw, M4, Tamper Proof, L = 20 mm, GOLDB (brushed bronze)
	AAA124HE7	Screw, M4, Tamper Proof, L = 20 mm, SSM (mirror stainless)
	AAA124HE8	Screw, M4, Tamper Proof, L = 20 mm, GOLDM (mirror bronze)