

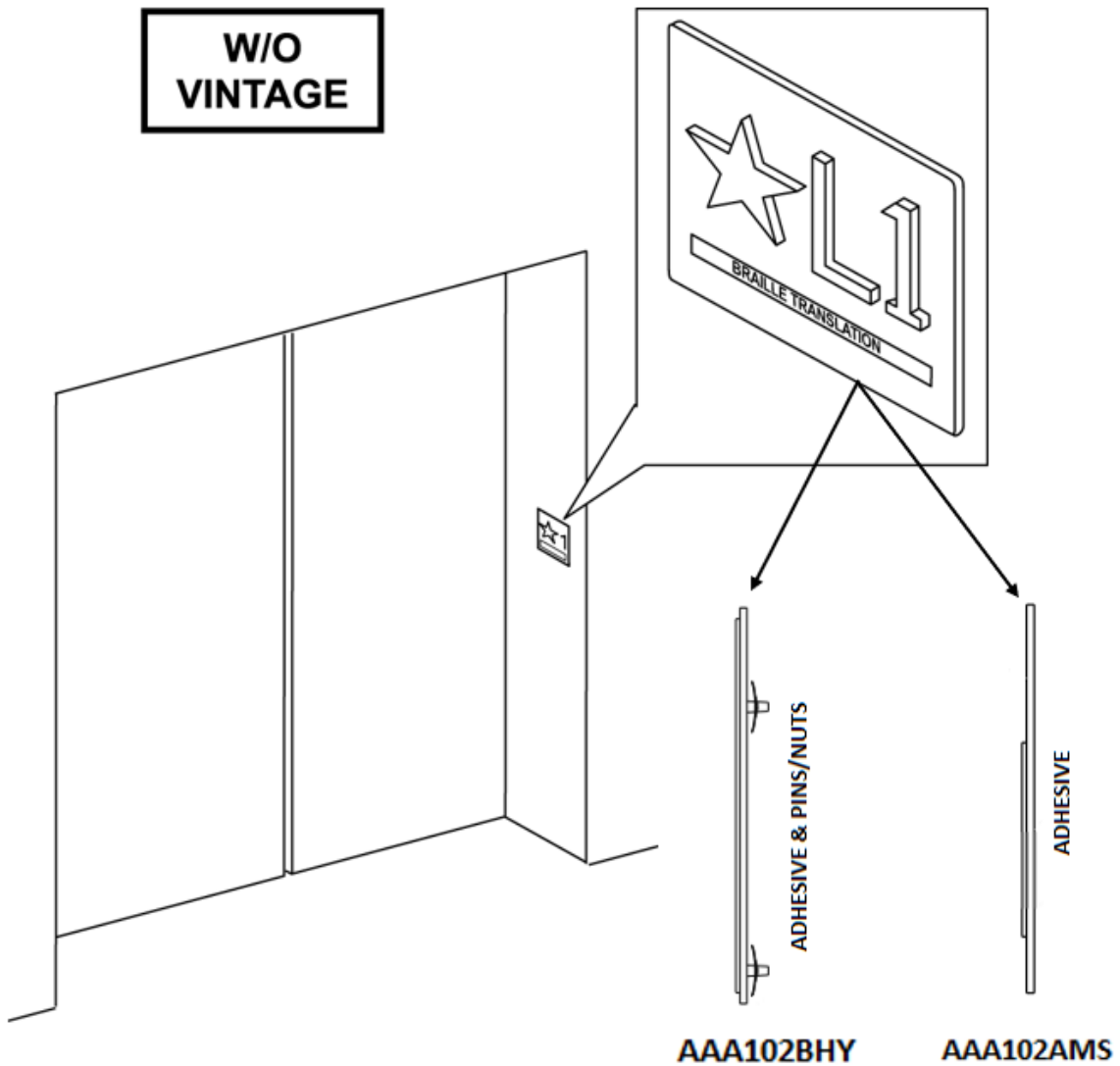
# Handicap Plate (ASME A17.1)

## Spare Parts Leaflet

### 32-AAA102AMS

January 29, 2025 / Page 1 of 6

W/O  
VINTAGE



# OTIS

This document does not contain any technical data subject to EAR or ITAR

**SERVICE ENGINEERING**  
**Otis Elevator Company**  
**Bloomfield, Connecticut USA**

Unpublished Work—© Otis Elevator Co.; 2025

# History

**32-AAA102AMS**

## Leaflet Description

This leaflet provides the door jamb entrance handicap plate options compliant with ASME A17.1 for use with all systems except California Code. For California handicap plate options, see SPL 32-AAA102TE. AAA102AMS handicap plates can be used as an alternative to AAA102BHY handicap plates.

**NOTE:** These handicap plates are made from Polymer (plastic).

## Leaflet Revisions

Date Revised	Subject Matter Expert	Reason for Revision
August 21, 2006	Michael A. Bertini	New SPL
November 18, 2015	Joseph Zych	Added material information <b>NOTE</b>
May 31, 2017	Joseph Zych	Added p/n AAA102AMS3 on p.3
May 16, 2018	Joseph Zych	Added p/n AAA102AMS4 on p.3
October 21, 2020	Vadzim Fedarenka	Added p/n AAA102AMS5 on p.4; Added row 8 on p. 5; Fixed row 17 on p. 5 (was 10–46, 52, 66, now 10–99)
January 29, 2025	Vadzim Fedarenka	Updated main image; added AAA102BHY; added note 2 on p. 3; combined all available marking examples in common column on p. 5; added example 4 on p. 6.

## Related Drawings

Drawing No.	Title	Drawing No.	Title
AAA102AMS	Plate, Handicap (ASME A17.1)	AAA102TE	Plate, Handicap (California Code)
A102KE	Plate, Handicap	A*A23100*	Entrance Drawings, Various
A*A23100***	Entrance Drawings, Various	AAA102BHY	Plate, Handicap (ASME A17.1)

## Related Documents

Document ID	Title
SPL 32-A102KE	Entrance Frame Braille Plate
SPL 25-AAA23100AAB	Hoistway Entrance, Center-Opening

## Subject Matter Expert

Name	Department
Vadzim Fedarenka & Aayush Desai	OSC Service Engineering

## About Spare Parts Leaflets...

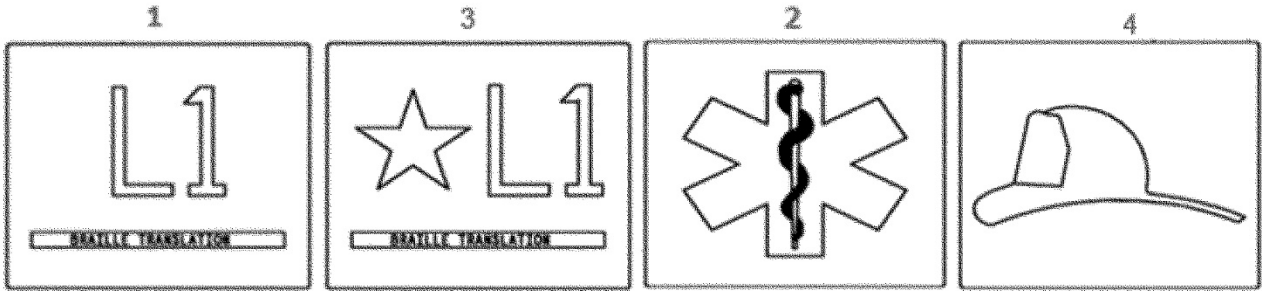
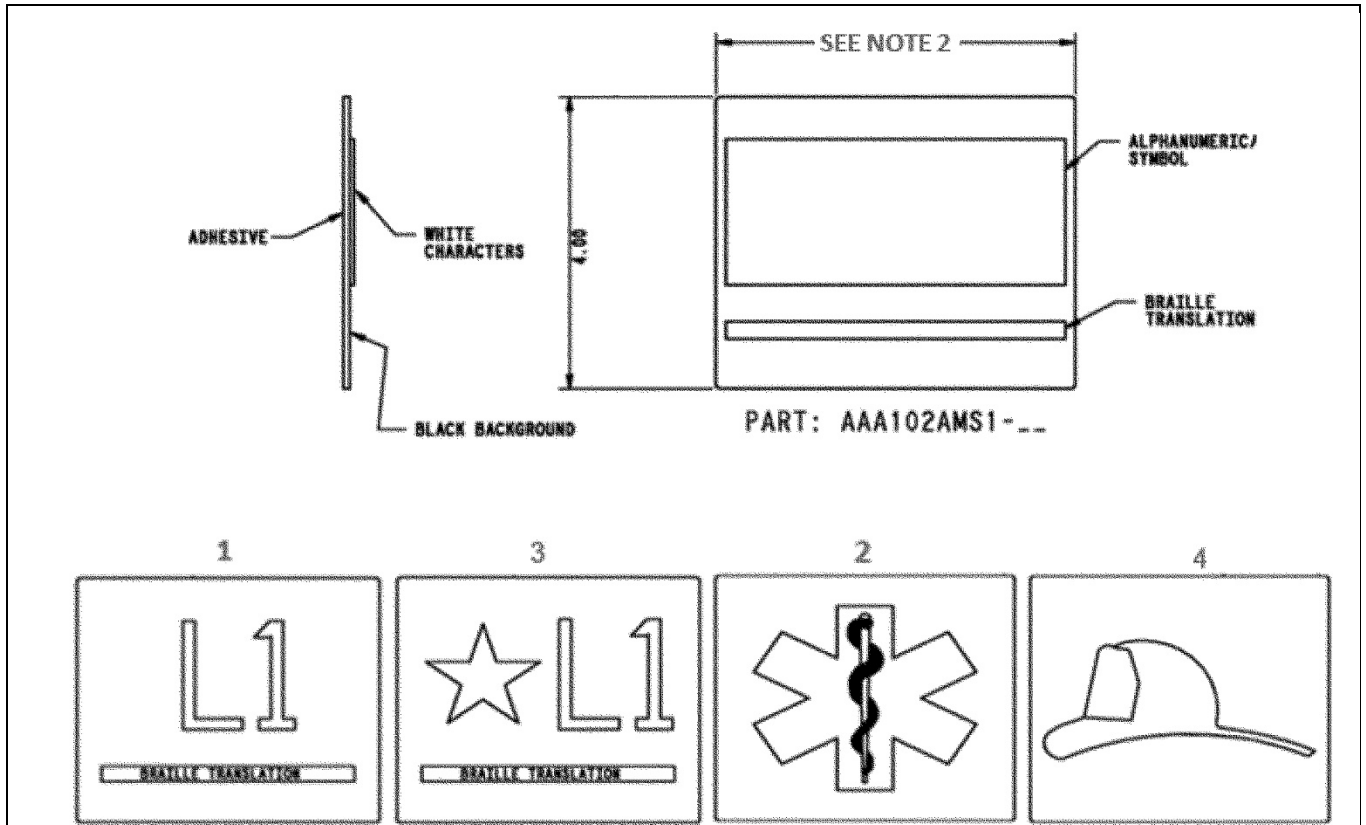
This document lists the lowest replaceable units (LRUs) for the standard version of the product. The LRUs are chosen by a team of Otis associates representing engineering and manufacturing.

While goal of this document is to make parts identification as easy as possible, the document cannot be all-inclusive. Elevator and escalator contracts classified as “special” or “custom” are not addressed here. For such contracts, please refer to specified information, the contract folder, TIPs, Field Education Articles, Construction Letters, etc. for further information.

If you have any suggestions about this document, please contact the subject matter expert listed on this page.

# AAA102AMS Door Jamb Entrance Handicap Plate (adhesive only)

**32-AAA102AMS**



TYPICAL EXAMPLES W/O AND WITH INTERNATIONAL MAIN LANDING STAR SYMBOL FOR FLOOR DESIGNATION "L1"

**NOTE:** These handicap plates are made from Polymer (plastic).

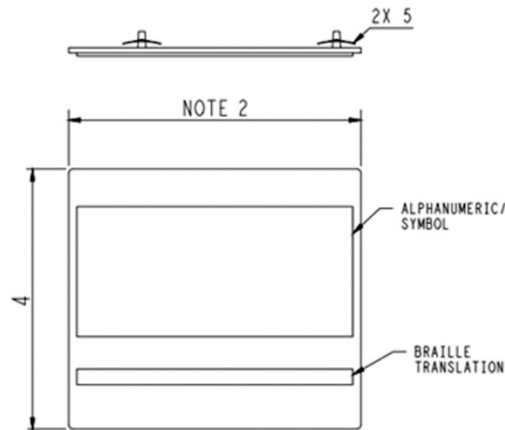
W/O VINTAGE			
REF. No.	PART No.	DESCRIPTION	
1	AAA102AMS1-___	Plate, Braille	See p. 4 and 5 for markings and ordering instructions.
2	AAA102AMS2	Plate, Handicap, Blue Star of Life, 4 x 4 in.	---
3	AAA102AMS3-___	Plate, Braille, White International Star	See p. 4 and 5 for markings and ordering instructions.
4	AAA102AMS4 *	Plate, 2012 IBC Code Requirement for Fire Service Access (Fire Hat), 4 x 4 in.	White Helmet on Black Background
	AAA102AMS5	Plate, Fire Service Acces (Fire Hat), 4 x 4 in.; FSAE or FFE A17.1-2019 / CSA B44:19-2-27.10.2 Applicable Code (US & Canada)	Red Helmet on Black Background

**NOTES:**

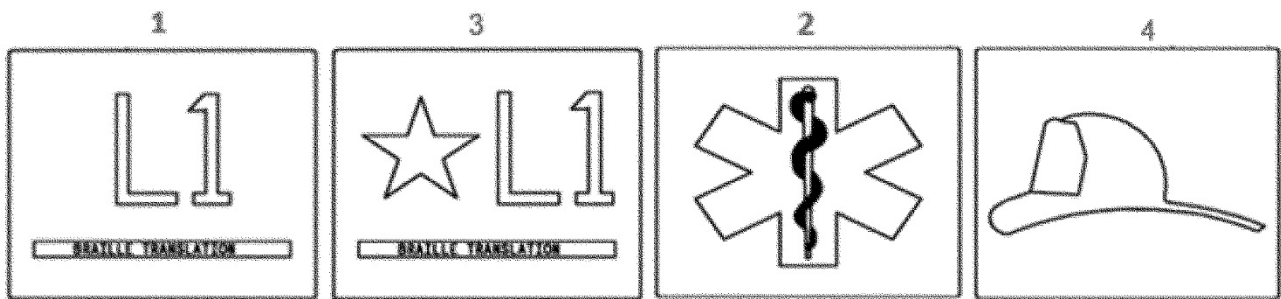
- \* Not in production.
- 1. ADA code requires Braille under international main landing star and designated floor landing.
- 2. Plate width can be 4, 4.5, 5, 6, or 7 in., depending on required alphanumeric/symbol combination. It will be determined by supplier.

# AAA102BHY Door Jamb Entrance Handicap Plate (adhesive with Pins)

**32-AAA102AMS**



PART: AAA102BHY1-\_\_



TYPICAL EXAMPLES W/O AND WITH INTERNATIONAL MAIN  
LANDING STAR SYMBOL FOR FLOOR DESIGNATION "L1"

**NOTE:** These handicap plates are made from Polymer (plastic).

REF. No.	W/O VINTAGE	
	PART No.	DESCRIPTION
1	AAA102BHY1-___	Plate, Braille, White Characters, Black Background, 4 x 4 in. or 4.5 x 4 in. See NOTE 1.
2	AAA102BHY2	Plate, Handicap, Blue Star of Life, White Sneak & Background, 4 x 4 in.
3	AAA102BHY3-___	Plate, Braille, White International Star & Characters, Black Background, 4.5 x 4 in. See NOTE 1.
4	AAA102BHY4	Plate, Red Fire Hat, Black Background, 4 x 4 in., FSAE OR FFE A17.1-2019/B44:19-2.27.10.2 Code Requirement for Fire Service Access
5	72CE1	Nut, Speed, Curved

**NOTES:**

1. ADA code requires Braille under international main landing star and designated floor landing.
2. Plate width can be 4, 4.5, 5, 6, or 7 in., depending on required alphanumeric/symbol combination. It will be determined by supplier.

# Handicap Plates, Available Markings

**32-AAA102AMS**

Floor Markings			Available Marking Examples
First Character	Second Character	Third Character	
*			*
*	Numeric		*0-*5, *6, *8-*9
*	Numeric	Letter	*1E-*1F, *1N, *1R, *1U, *2P, *2R, *6F
*	Letter		*A-*H, *L-*N, *P, *S-*U
*	Letter	Letter	*BC, *BK, *CH, *CL, *DL, *EL, *ER, *GL, *LC, *LD, *LF, *LL, *ML, *MR, *PB, *PL, *RC, *SL, *SS-*ST, *UL
*	Letter	Numeric	**A1, *E1, *G1, *L1-*M1, *P1, *P2, *S1
-	Numeric		-1, -2, -3, -4, -5
-	Numeric	Letter	-1R, -2R, -3R, -4R, -5R
Letter			A-Y
Letter	Letter		AA-AB, AF, AT, BA, BF, BK-BL, BP, BR, CB, CH, CL, CR, CW, DC, DK-DL, DN, DR, EL, EP, ER, FF, FH, FL, FR, GA, GF, GL-GM, GP, GR, GT, GW, HP, LB-LD, LF-LG, LL, LP, LR-LT, ME-MF, ML-MM, MP, MR, MZ, NE, OB, PA-PC, PH, PL, PP, PR, RC-RD, RF, RH, RL, RR, SA-SC, SL, SO, SR-SU, TA-TB, TK-TM, TR, UB-UD, UF-UG, UL-UM, UP, US, VD, WL
Letter	Letter	Letter	LDR, LLR, PHR, ULR
Letter	Letter	Numeric	LL1, LL2, PG1, PH1-PH4, SS1-SS2
Letter	Numeric		A1-A8, B1-B8, C1-C8, E1-E3, F1-F2, G1-G7, H1-H3, L1-L5, M1-M2, M4, P1-P9, R1-R2, S1-S5, T2
Letter	Numeric	Numeric	P10
Letter	Numeric	Letter	L1R
Numeric			0-9
Numeric	Numeric		10-99
Numeric	Numeric	Numeric	401-402
Numeric	Numeric	Letter	10R-17R, 20R, 40C
Numeric	Letter		0R, 1A-1B, 1E-1G, 1K-1N, 1P, 1R-1U, 1W, 2A-2B, 2E-2G, 2L-2N, 2P, 2R-2S, 2W, 3A-3B, 3E-3F, 3L-3N, 3P-3R, 3W, 4A-4B, 4F, 4R, 4W, 5A, 5I, 5L, 5R, 5U, 5W, 6F, 6R, 7R, 8R, 9R
Numeric	Letter	Letter	2FR, 3AR, 4MT

## Ordering Instructions for Main Landing Symbol and Numeric Plates

**When ordering main landing star symbol, always use “IM” and not “\*”**  
See Example 1.

**Example 1:** A main entrance with the international star symbol followed by the floor marking “1.”

AAA102AMS3-IM1  
↑    ↑↑  
1    2 3

AAA102BHY3-IM1  
↑    ↑↑  
1    2 3

1. The part number.
2. The international main landing star.
3. The floor designation.

**When ordering single or double numeric designations, specify the number.**  
See Example 2.

**Example 2:** A floor marking of “14.”

AAA102AMS1-14  
↑    ↑  
1    2

AAA102BHY1-14  
↑    ↑  
1    2

1. The part number.
2. The floor designation.

**When ordering negative numbers, always add (-) before the number.**  
See Example 3.

**Example 3:** Negative floor number (-1).

AAA102AMS1--1  
↑    ↑↑  
1    2 3

AAA102BHY1--1  
↑    ↑↑  
1    2 3

1. The part number.
2. The extra (-) to indicate negative number.
3. The floor designation.

**When ordering main landing star symbol on French, always use “FIM” and not “\*”**  
See Example 4.

**Example 4:** A main entrance with the international star symbol followed by the floor marking “A2”.

AAA102AMS3-FIMA2  
↑    ↑↑  
1    2 3

AAA102BHY3-FIMA2  
↑    ↑↑  
1    2 3

1. The part number.
2. The international main landing star.
3. The floor designation.