

**Advanced Raised Fixtures
Hall Panel LRV3 Main
Landing**

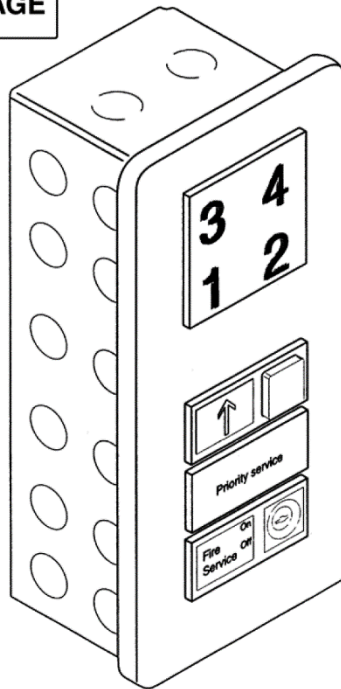
**Spare Parts Leaflet
32-7069AR**

September 28, 2022 / Page 1 of 8

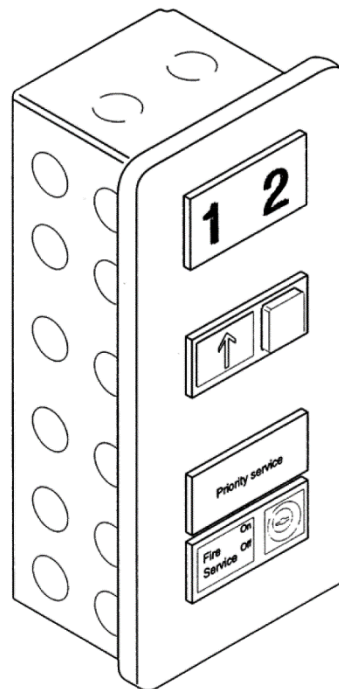
OBSOLESCENCE NOTICE

The product covered in this SPL has been designated as obsolete and is no longer supported. See TIP 32.2-1, *Obsolete Components*, for potential upgrade. Replacement lower-level parts listed within and unique to this design will be reviewed for obsolescence.

W/O
VINTAGE



Arrangement 7069AR16 with type 7069AS1
Hall Position Indicator Shown



Arrangement 7069AR4 with type 7069AG48
Hall Position Indicator Shown

OTIS

This document does not contain any
technical data subject to EAR or ITAR

SERVICE ENGINEERING

**Otis Elevator Company
Bloomfield, Connecticut USA**

Unpublished Work—© Otis Elevator Co.; 2022

Leaflet Description

This leaflet provides spare parts information for type 7069AR hall Fixture box with microprocessor.

Leaflet Revisions

Date Revised	Subject Matter Expert	Reason for Revision
April 1991	---	New leaflet
March 1997	---	Update parts and artwork
May 1, 200	Val Minnes	Update parts on p. 5
January 24, 2018	Oliver Cai	Added p/ns AAA26800AZM1 and AAA26800AZM2 on p. 5
September 28, 2022	Juan Murillo	Updated to include OBSOLESCENCE note on cover

Related Drawings

Drawing No.	Title	Drawing No.	Title
7069AR	Hall Panel LRV3 Main Landing	---	---

Related Documents

Document ID	Title
---	---

Subject Matter Expert

Name	Department
Oliver Cai	OSC Service Engineering

About Spare Parts Leaflets...

This document lists the lowest replaceable units (LRUs) for the standard version of the product. The LRUs are chosen by a team of Otis associates representing engineering and manufacturing.

While goal of this document is to make parts identification as easy as possible, the document cannot be all-inclusive. Elevator and escalator contracts classified as “special” or “custom” are not addressed here. For such contracts, please refer to specified information, the contract folder, TIPS, Field Education Articles, Construction Letters, etc. for further information.

If you have any suggestions about this document, please contact the subject matter expert listed on this page.

English: This leaflet is prepared for the main hall landing panel used in the LRV3 elevator system. The arrangement called for the hall button interface printed circuit board to be mounted in the main landing hall panel.

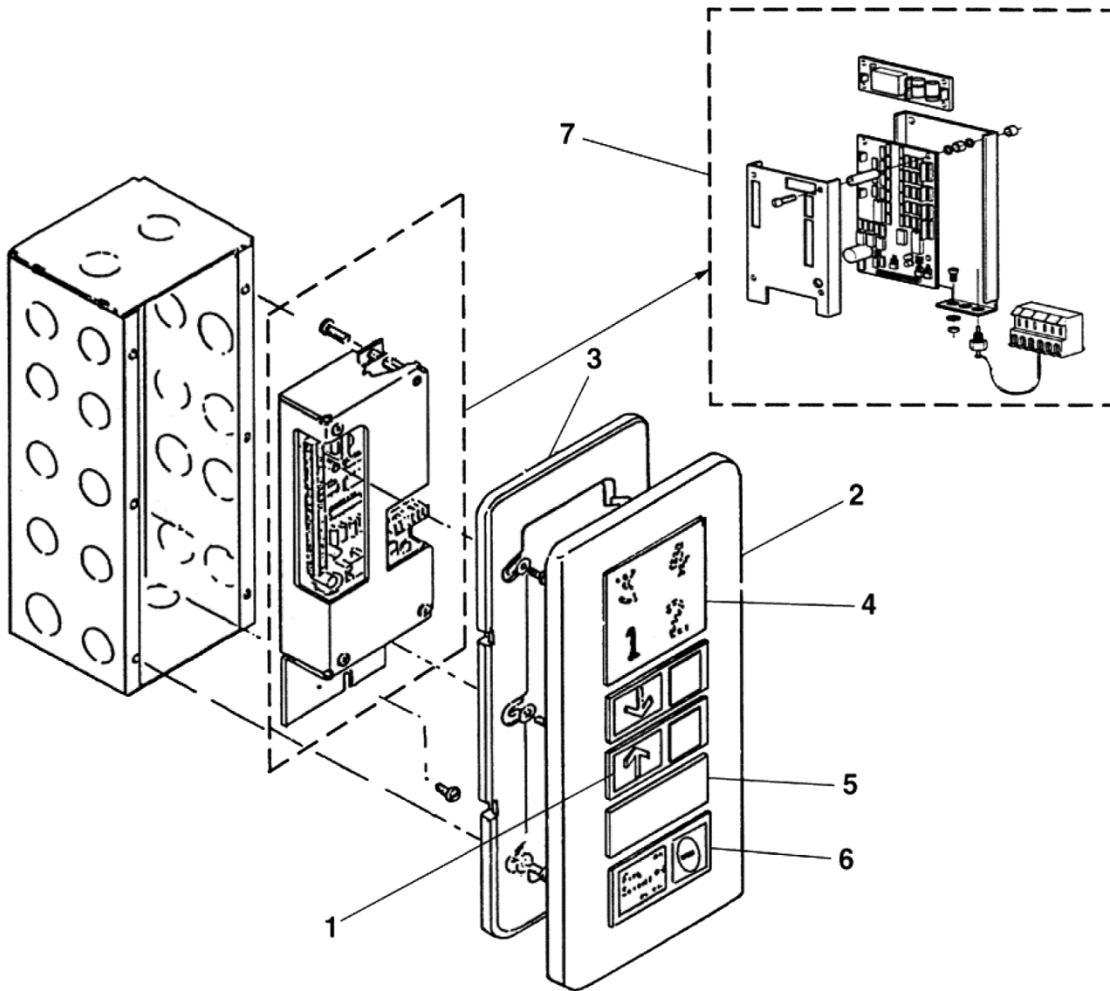
There is now an upgrade kit converting an LRV3 microcontroller printed circuit board, located in the car operating panel, to an LRV4. The upgrade uses a hall button interface printed circuit board that is not compatible with the original board mounted in the panel. Therefore, if replacement of the original hall button interface board is needed, the upgrade to the LRV4 microcontroller board will be necessary. Additionally, the mounting of the hall button interface board will need to be moved from the main landing hall panel to an electrical box mounted to the controller within the machine room.

Technical Information Publications—numbers 24.1-11 and 24.1-42—describe the procedure for upgrading to an LRV4 microcontroller board. It is based on the belief that the hall button interface board is located in the machine room. If this is not the case with your unit, the parts listed on page eight of the leaflet can be ordered to make the conversation.

French: Ce catalogue fait référence à la boîte à boutons palière principale du système LRV3. L'arrangement a nécessité le montage de la carte d'interface du bouton palier dans la boîte à boutons du palier principal.

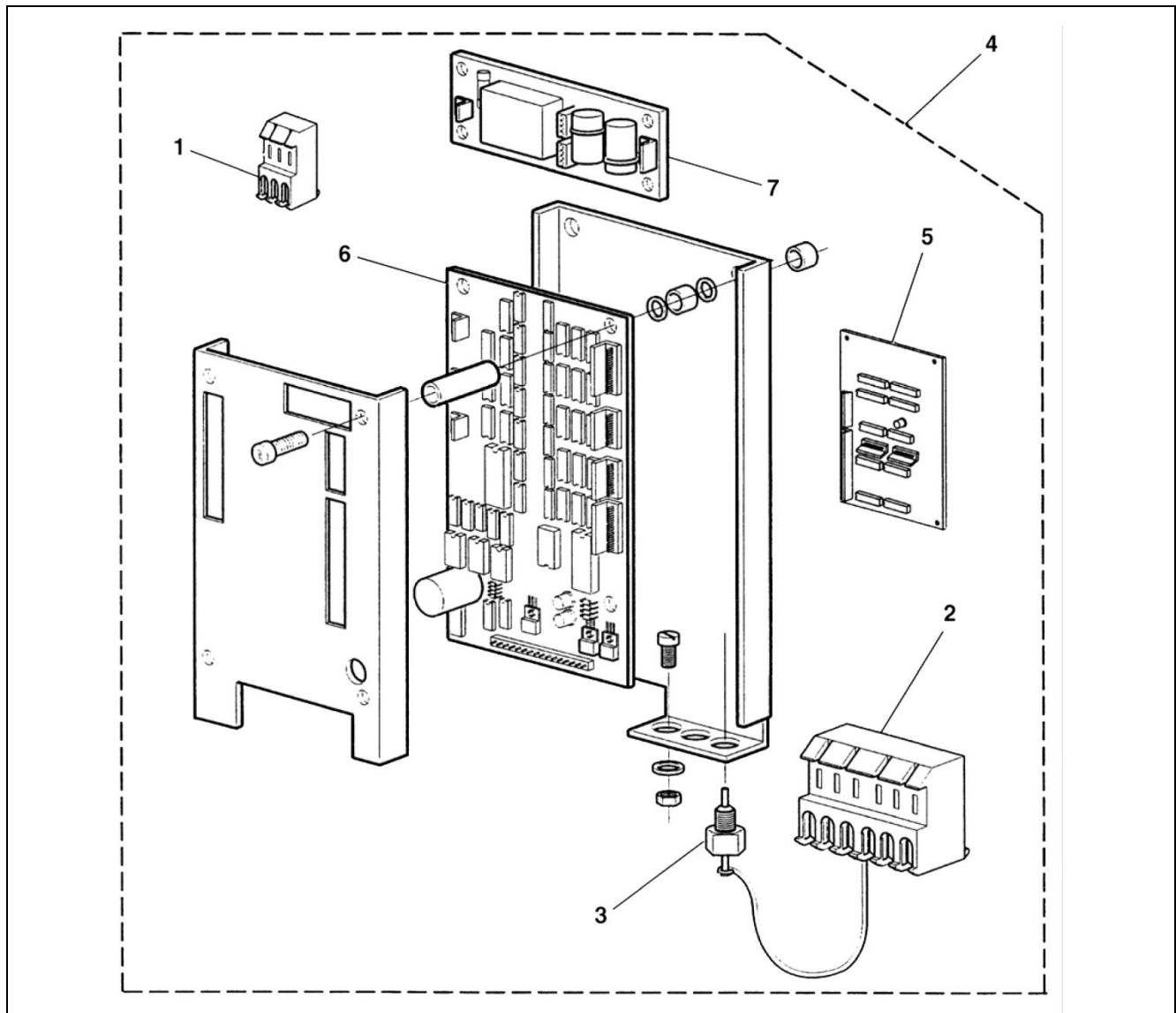
Il existe maintenant un kit de mise à niveau de la carte du microcontrôleur LRV3, située dans la boîte à boutons cabine, en LRV4. La mise à niveau utilise une carte d'interface du bouton palier qui n'est pas compatible avec sa version d'origine. Par conséquent, tout changement de la carte d'interface du bouton palier d'origine doit s'accompagner d'une mise à niveau du LRV3 en LRV4. De plus le montage de la carte d'interface du bouton palier devra se situer dans un boîtier électrique fixé au contrôleur dans la salle des machines et non plus dans la boîte à boutons palière principale.

Les instructions techniques numéro 24.1-11 et 24.1-42 décrivent la procédure de mise à niveau d'un microcontrôleur LRV3 en LRV4. Elle est basée sur le fait que la carte d'interface du bouton palier est située dans la salle des machines. Si ce n'est pas le cas de votre appareil, vous pouvez commander les pièces listées en page 8 du catalogue pour effectuer la conversion.



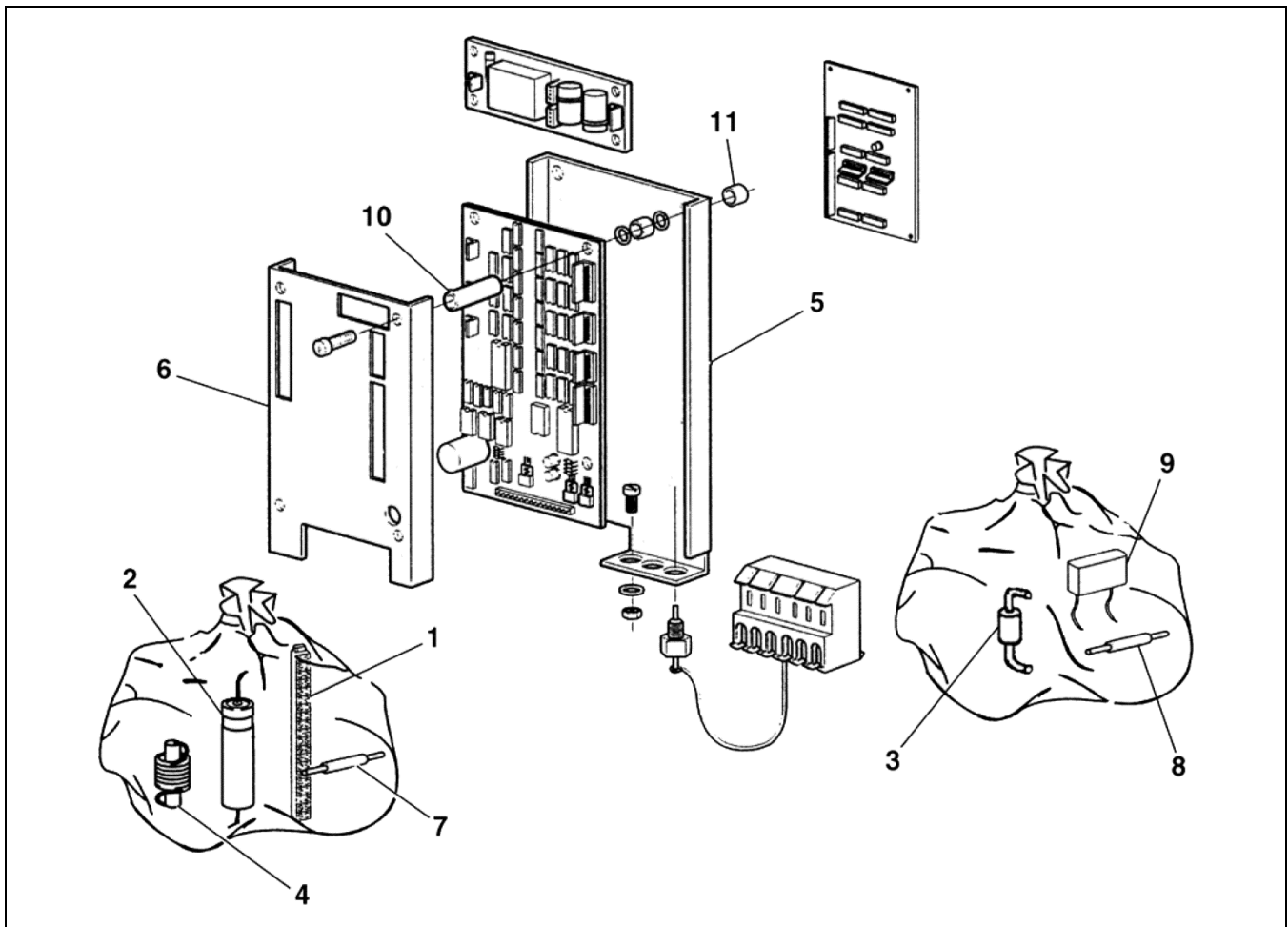
REF. No.	PART No.		DESCRIPTION
	7069AR	A7069AR	
1	---	---	Button Module, Type 7069AF, SPL 31-7069AF
2	---	---	Faceplate, p. 7 for Details
3	A396JP1	---	Housing, Panel, 6-Module
4	---	---	Indicator, Position, 1/2 Stops, SPL 31-7069AF
	---	---	Indicator, Position, 3/4 Stops, SPL 32-7069AS
5	---	---	Jewel Module, SPL 31-7069AF
6	Type 7069AH	Type AAA7069AAK	Keyswitch Module, SPL 31-7069AH & SPL 31-AAA7069AAK
7	7069AP1 A8121AY1 ABA07900AAA001		Kit, Upgrade, LRV3 to LRV4 Microcontroller Board Note on p. 3 and Kit Details on p. 5 & 6

Board Upgrade Kit



VINTAGE Y 01		
REF. No.	PART No.	DESCRIPTION
1	176EE17	Connector, Feed-Thru, 3-Pin, Color: Red
2	AAA00176AAD007	Connector, Female, 6-Pin
3	P605G1	Filter, Electro-Magnetic Interference
4	ABA07900AAA001	Kit, Retrofit, LRV3 to LRV4 Microcontroller PC Board
5	E8124BE4 AAA26800AZM1	PC Board, Hall Button Interface, Terminal Block
	AAA26800AZM2	PC Board, Hall Button Interface, Wago Connector
6	E8121DB1	PC Board, Microprocessor
7	B8121AW2	PC Board, Power Supply

**LRV3 to LRV4 Microcontroller
Board Upgrade Kit**



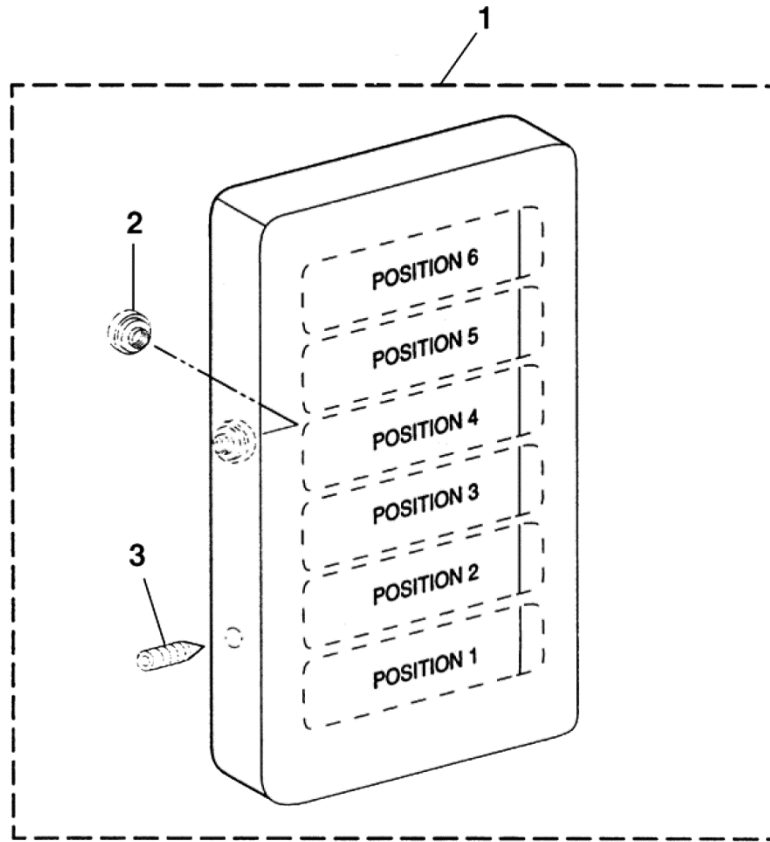
VINTAGE Y 01

REF. No.	PART No.	DESCRIPTION
1	P303CG1	Block, Terminal, 20-Terminal (mounted in hall button interface box)
2	P226CM3	Capacitor, 10,000 uF, 63 V (mounted in hall button interface box)
3	226EH2	Capacitor, Mylar, 250 V (mounted to connector panel behind COP)
4	234AA2	Inductor, 2 A (mounted in hall button interface box)
5	105LB1	Plate, Base
6	A386CAC3	Plate, Cover
7	232T44	Resistor, 2 W, 10 Ω (mounted in hall button interface box)
8	232AT8	Resistor, 5 W, 500 Ω (mounted to capacitor inside the controller)
9	605H1	Snubber (mounted to contactor inside the controller)
10	354AG11	Standoff, 1.0 in. L
11	354AG6	Standoff, ¼ in. L

NOTE: Some components shipped with the kit are mounted in the controller, hall button interface box, and the connector mounting panel of the car operating panel.

Main Landing Hall Panel

32-7069AR



W/O VINTAGE			
REF. No.	PART No.	CUTOUT POSITION	DESCRIPTION
1	147NF1-__*	2, 6	Assembly, Faceplate
	147NF2-__*	1, 3, 6	
	147NF3-__*	1, 2, 4, 6	
	147NF4-__*	1, 2, 3, 4, 6	
	147NF5-__*	2, 5, 6	
	147NF6-__*	1, 3, 5, 6	
	147NF7-__*	1, 2, 3, 5, 6	
	147NF8-__*	2, 3, 5, 6	
	147NF9-__*	1, 2, 3, 4, 5, 6	
2	251FA1	Insert	
3	ISO4027M3X8-45H-Z	Set, Screw, Cone Point, M3 x 8	

* Complete the part number identification with the finish designation, e.g., 147NF1-MF4

Stainless Steel

Mill 4 = MF4

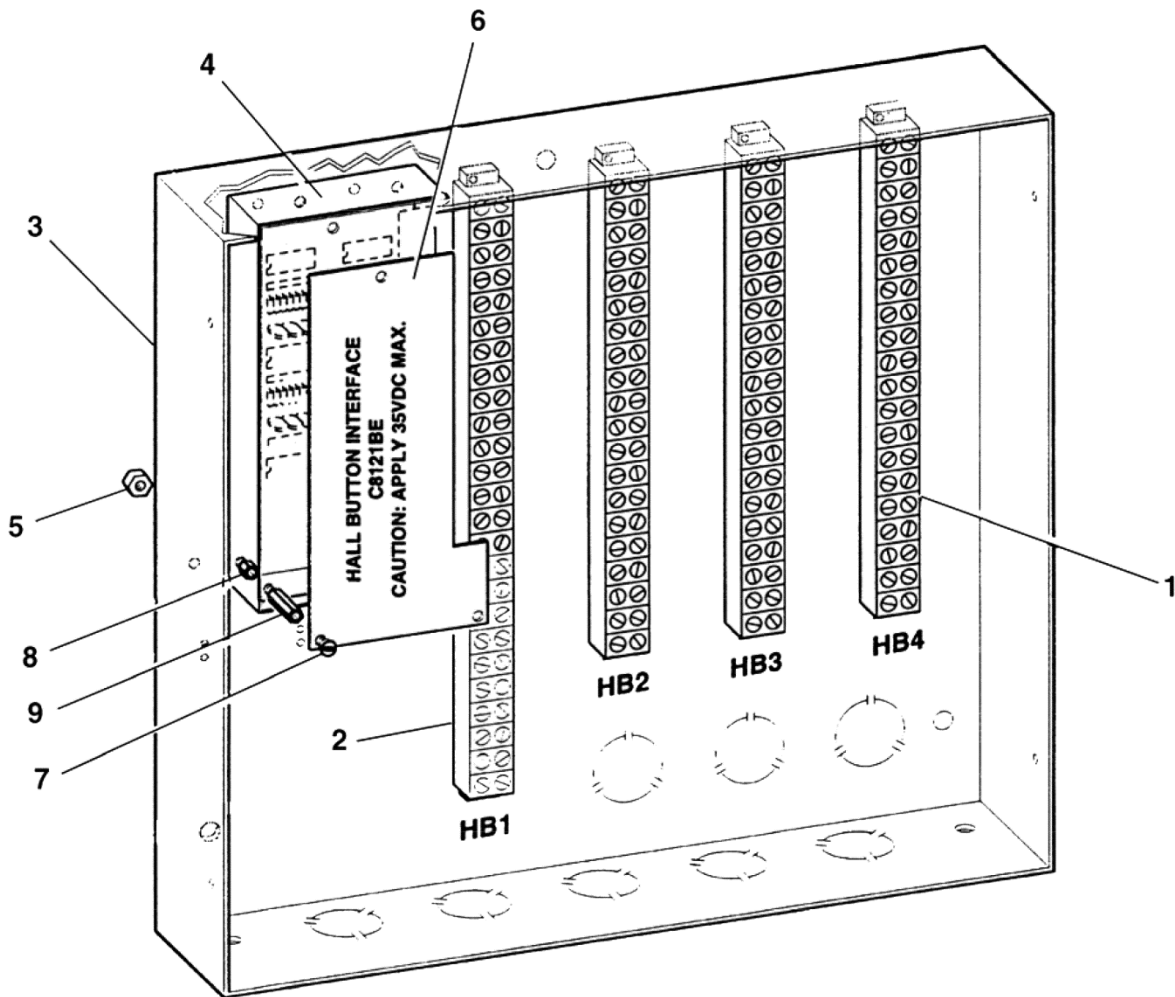
Brushed = SS4

Mirror = SS8

Bronze

Brushed = BR7

Mirror = BR8



W/O VINTAGE			
REF. No.	PART No.	DESCRIPTION	QTY.
1	P303CG1	Block, Terminal 20-Term	3
2	P303CG4	Block, Terminal, 25-Term	1
3	A308KM1	Box, 13 x 12 x 2 in. L	1
	---	Box, 8-Gang, Masonry	1
4	384VE1	Guard	1
5	NUT MS4-40NYLON	Nut, Nylon, 4-40	4
6	386BTL1	Plate	1
7	SCMA PP4-40X1/4NYLON	Screw, Machine, Nylon, 4-40 x 1/4 in.	4
8	354AG12	Standoff, 1/4 in. L	4
9	354AG13	Standoff, 7/8 in. L	3