

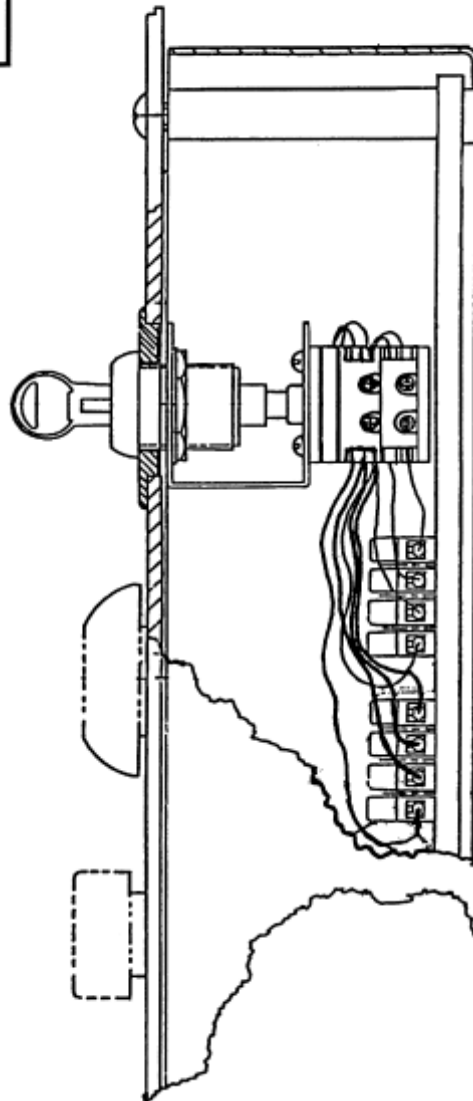
SPL 31-CAA07069AAA - Fixture - Service Part, Keyed Stop Switch Assembly

Unpublished Work - © Otis Elevator Company. Any unauthorized reproduction, disclosure, or distribution of copies or content by any person of any portion of this work may be a violation of Copyright Law of the United States of America. All rights reserved.

June 1995

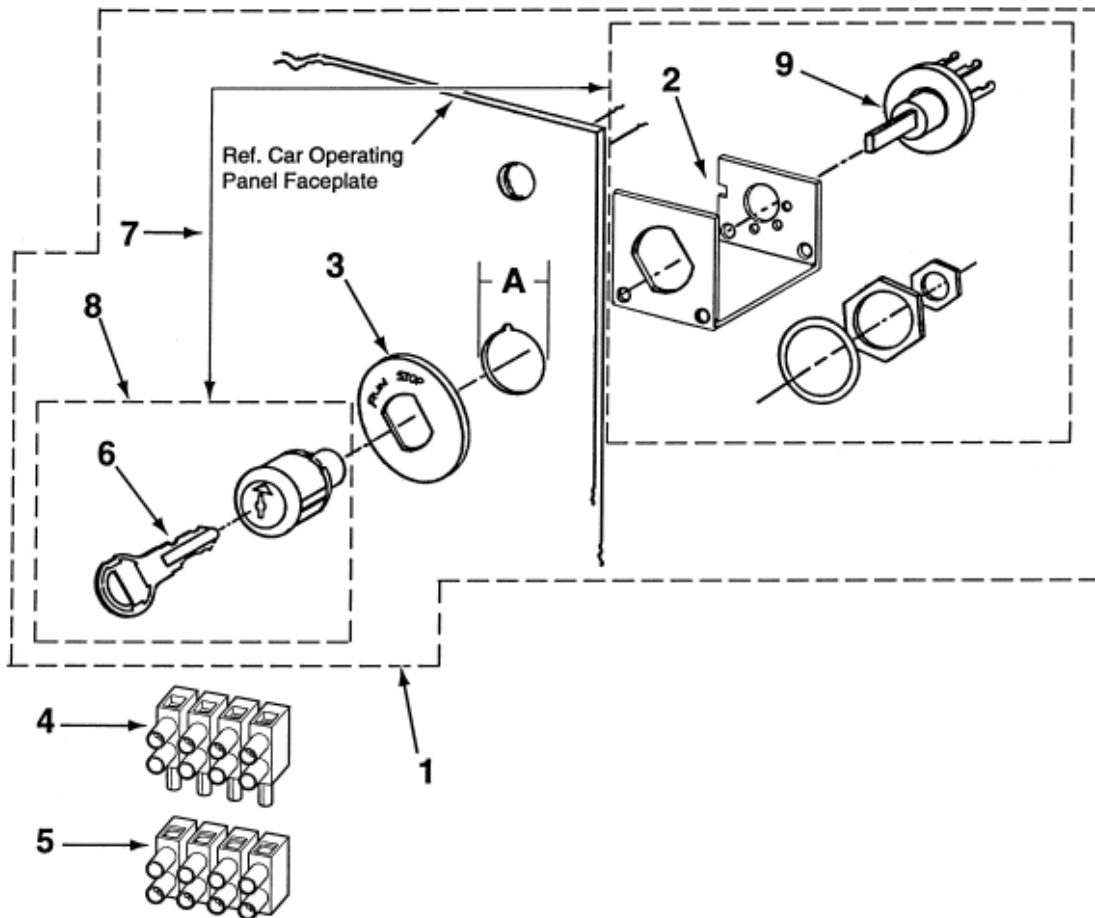
Page 1

**W/O
VINTAGE**



SPL 31-CAA07069AAA - Fixture - Service Part, Keyed Stop Switch Assembly

Page 2 - SERVICE REPLACEMENT APPLICATION, KEYED STOP SWITCH ASSEMBLY

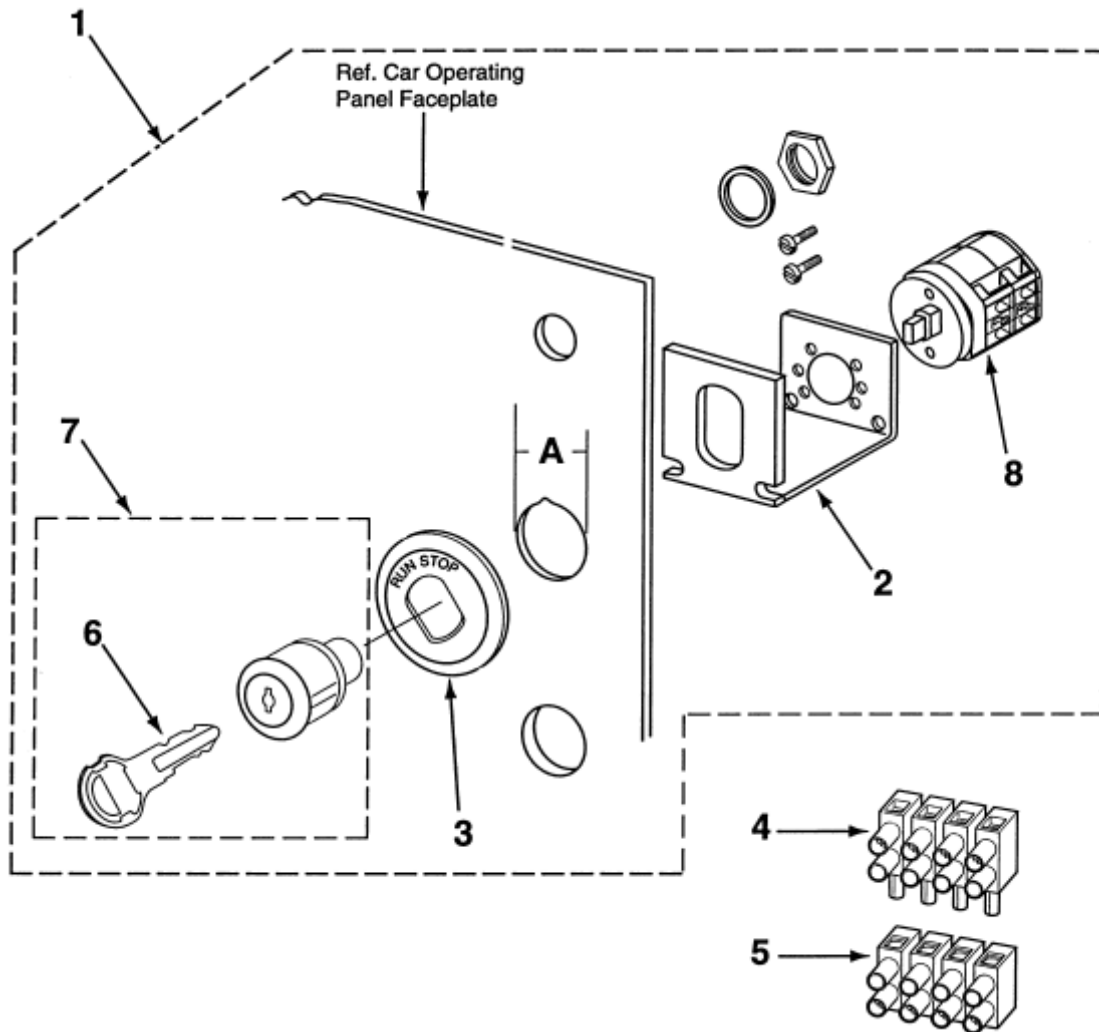


NOTE 1 This switch can be upgraded to a single stage switch, P/N AAA636A10 (see page 3 for a picture showing a dual stage switch). If this option is chosen, also order bracket AAA316FEC1. Refer to page 4 for the necessary wire change.

W/O VINTAGE		
REF. No.	PART OR ML	DESCRIPTION
1	CAA07069AAA001	Assembly, Keyed Stop Switch w/1 of Each Collar
	CAB07069AAA001	
2	316DMB1	Bracket
3	CAA00340AAA001	Collar, Key, to Fit Dia. 'A' = 1.25 in.
	CAA00340AAB001	Collar, Key, to Fit Dia. 'A' = 1.06 in.
	CAA00340AAC001	Collar, Key, to Fit Dia. 'A' = 0.76 in.
4	CAA00176AAA003	Connector, Male (mounted on COP backplate)
5	CAA00176AAB003	Connector, Female (mounted on COP backplate)
6	6410W-UTF	Key (2 Supplied w/Lock)
7	6410W31	® Keyswitch Assembly, See Also SPL 31-7069AH
	ABA6410AB11	↪ Keyswitch Assembly, See Also SPL 31-AAA6410AB
8	AAA431AF1	Lock w/2 Keys, 3-Position, See Also SPL 31-AAA431AF
9	177CC2	Switch, Single Pole, Double Throw, See Also Note 1

SPL 31-CAA07069AAA - Fixture - Service Part, Keyed Stop Switch Assembly

Page 3



REF. No.	W/O VINTAGE PART OR ML	DESCRIPTION
1	CAB07069AAA001	Assembly, Keyed Stop Switch w/1 of Each Collar
2	AAA316FEC1	Bracket
3	CAA00340AAA001	Collar, Key, to Fit Dia. 'A' = 1.25 in.
	CAA00340AAB001	Collar, Key, to Fit Dia. 'A' = 1.06 in.
	CAA00340AAC001	Collar, Key, to Fit Dia. 'A'= 0.76 in.
4	CAA00176AAA003	Connector, Male (mounted on COP backplate)
5	CAA00176AAB003	Connector, Female (mounted on COP backplate)
6	6410W-UTA	Key (2 Supplied w/Lock)
7	AAA431AF1	Lock w/2 Keys, 3-Position, See Also SPL 31-AAA431AF
8	ABA636A13	Switch, Dual-Stage, See Also SPL 31-AAA636A

SPL 31-CAA07069AAA - Fixture - Service Part, Keyed Stop Switch Assembly

Page 4

Keyswitch	Switch	Terminal Identification Changes			
6410W31	177CC2	1	4	5	8
Replacement	ABA636A10	1	4	3	2