

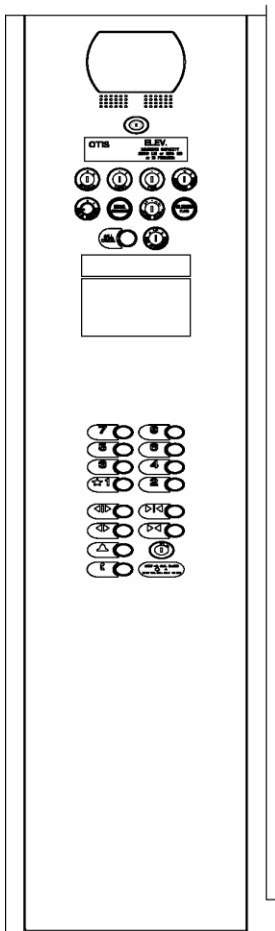
Series VI Car Operating Panel (Classic Integral)

Spare Parts Leaflet

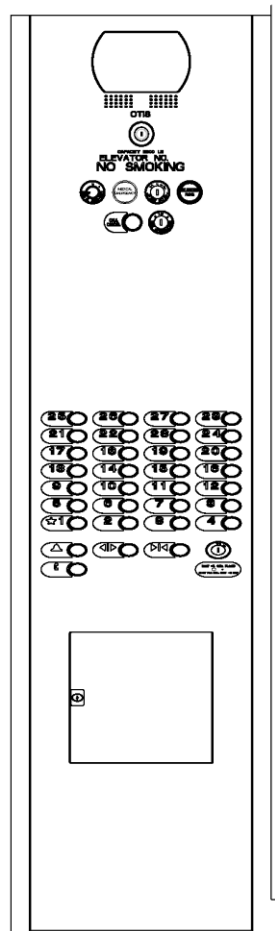
31-ABA25000DT

October 12, 2022 / Page 1 of 16

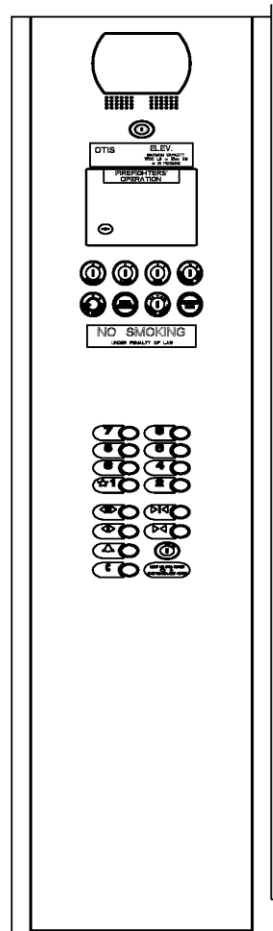
CONTRACT		
31	H - ABA25000DT	
REV DATE		



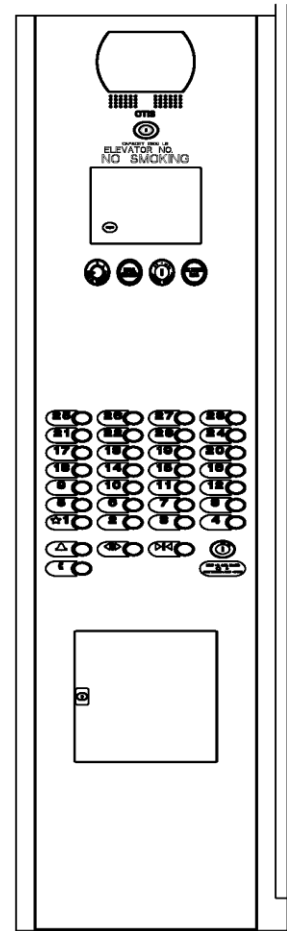
**W/O
Firemen's or
Tel/Service
Cabinets**



**W/O Firemen's/
Cabinet
W/Tel/Service
Cabinet**



**W/Firemen's/
Cabinet
W/O Tel/Service
Cabinet**



**W/Firemen's &
Tel/Service
Cabinet**

OTIS

This document does not contain any technical data subject to EAR or ITAR

SERVICE ENGINEERING

Otis Elevator Company

Bloomfield, Connecticut USA

Unpublished Work—© Otis Elevator Co.; 2022

Leaflet Description

This leaflet provides spare parts information for the Series VI (Classic) car operating panel, type ABA25000DT.

Leaflet Revisions

Date Revised	Subject Matter Expert	Reason for Revision
July 25, 2006	Joseph Zych	New SPL
April 8, 2009	Joseph Zych	Updated reference for pushbuttons AAA23500AK, AAA23500AM, AAA23500BY, and AAA23500CC to AAA23500CH.
July 8, 2009	Joseph Zych	Corrected part number in ref. 3 on p. 7; Removed pp. 10–12.
October 12, 2022	Paul Anthony	Added p/n AAA27076JN2 and a NOTE on p. 7

Related Drawings

Drawing No.	Title	Drawing No.	Title
ABA25000DT	Car Operating Panel, Series 6, Classic COP	AAA102VB	Plate, Instruction
AAA406CE	Door, Fire Cabinet	AAA23500CH	Luxury Pushbutton, Micro-Motion III

(Continued on next page)

History (cont.)

31-ABA25000DT

Related Documents

Document ID	Title
SPL 31-AAA25300T	COP Telephone Kit Assembly
SPL 31-AAA7144CK	Firefighter's Cabinet Assembly
SPL 31-AAA340CV	Fixture – Part, Collar, Keyswitch and Jewel
SPL 31-AAA406CE	Door, Firefighter's Cabinet
SPL 31-AAA23851A	Fixture – Part, Keyswitch (Series 5 Fixture)
SPL 31-AAA23851B	Fixture: Jewel Assembly
SPL 31-AAA250Q	Graphic Insert: AAA250Q, AAA250R, and AAA250S
SPL 31-AAA23500F	Keyswitch Assemblies Light Ring & Engraved Collar Version
SPL 34-AAA23550U	Landing Fixture, In-Car Lantern Assembly
SPL 32-AAA23500CH	Micro-Motion III Pushbuttons

Subject Matter Expert

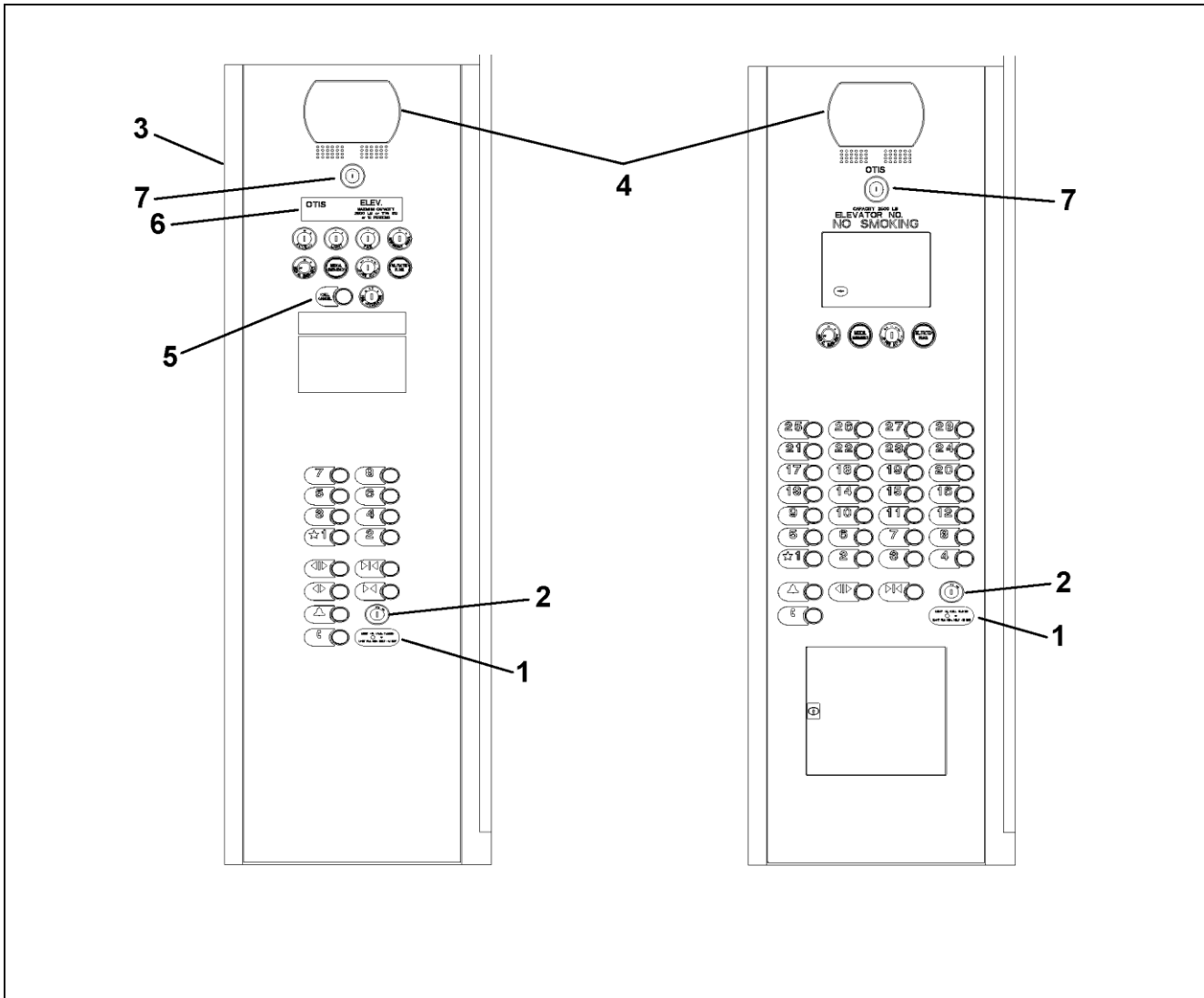
Name	Department
Paul Anthony	OSC Service Engineering

About Spare Parts Leaflets...

This document lists the lowest replaceable units (LRUs) for the standard version of the product. The LRUs are chosen by a team of Otis associates representing engineering and manufacturing.

While goal of this document is to make parts identification as easy as possible, the document cannot be all-inclusive. Elevator and escalator contracts classified as “special” or “custom” are not addressed here. For such contracts, please refer to specified information, the contract folder, TIPS, Field Education Articles, Construction Letters, etc. for further information.

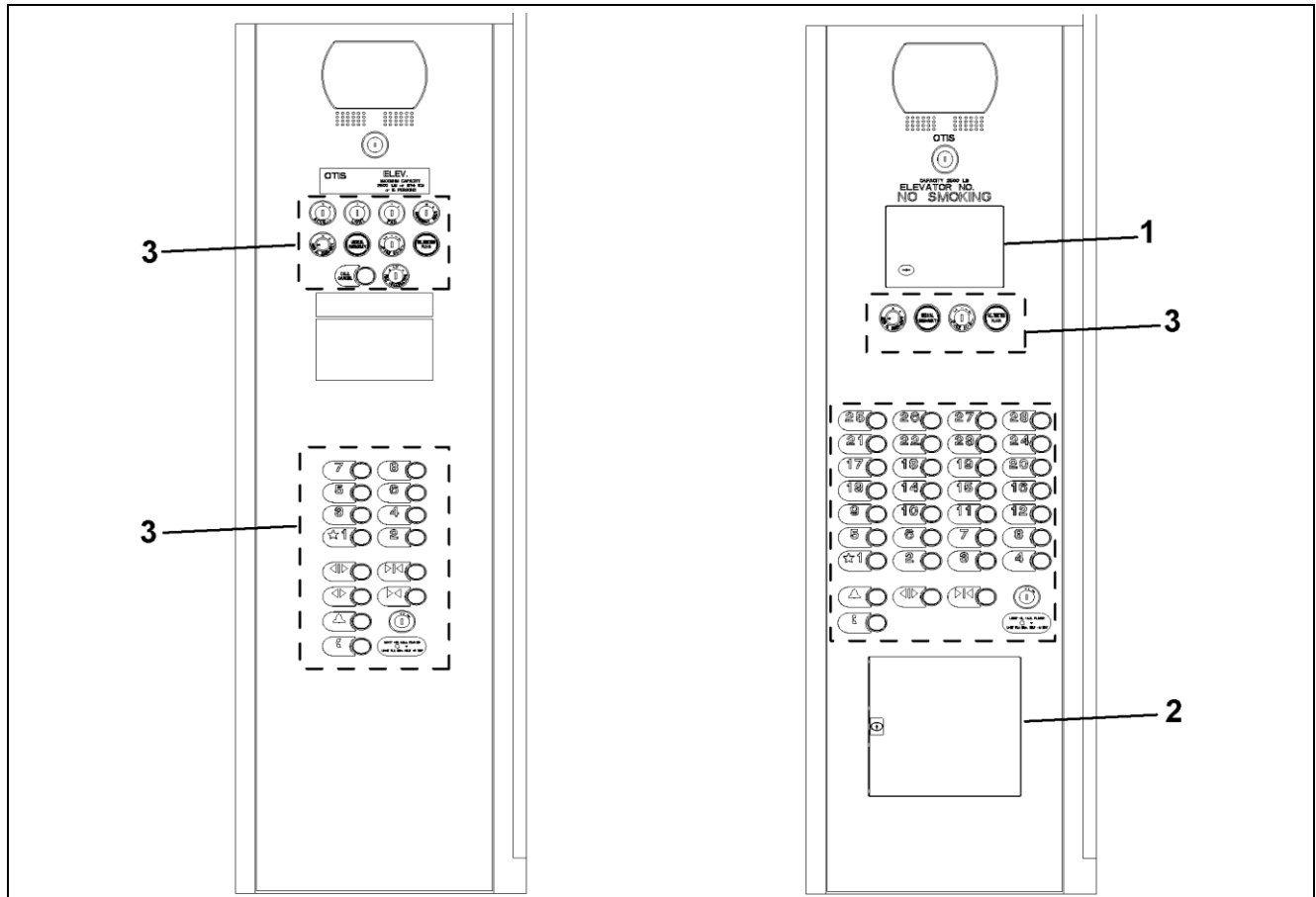
If you have any suggestions about this document, please contact the subject matter expert listed on this page.



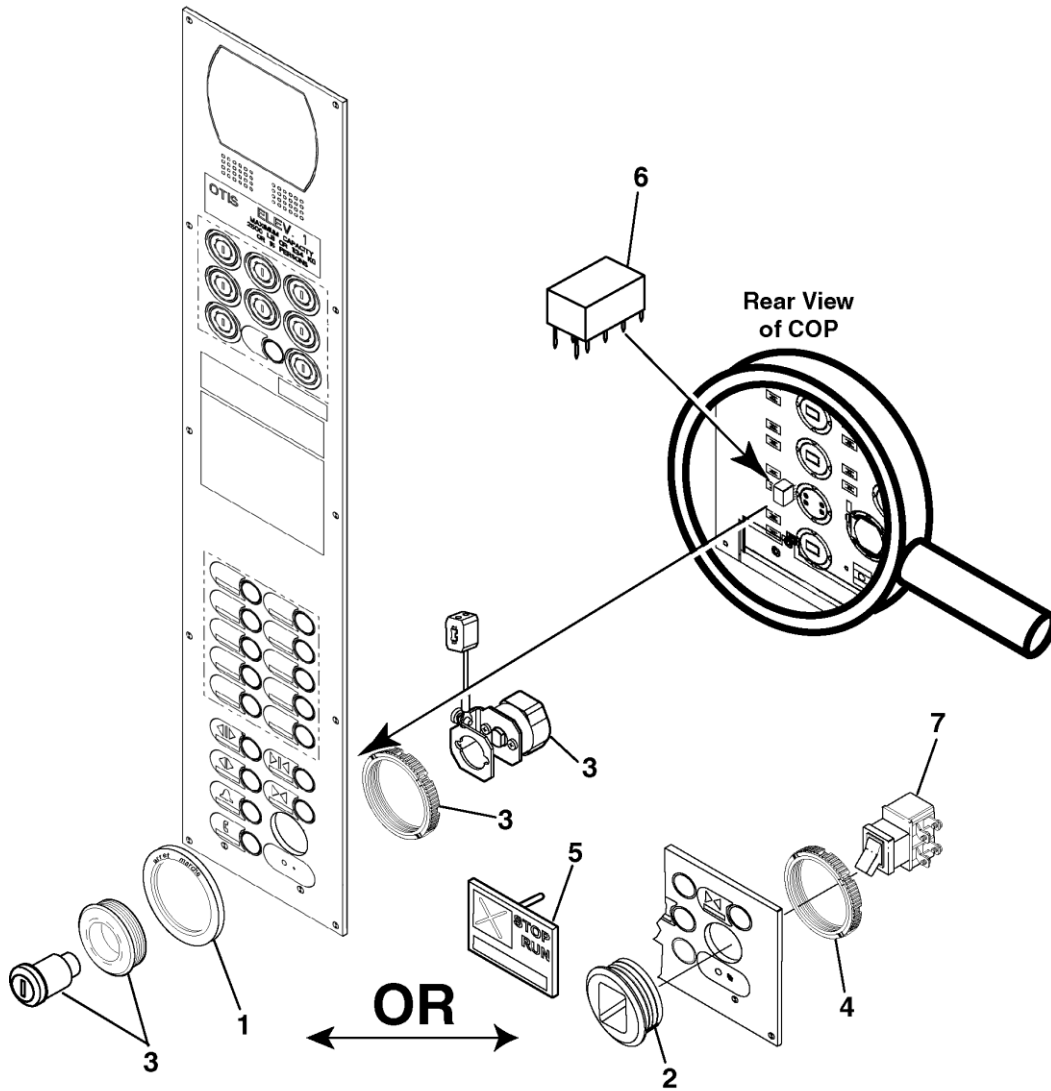
REF. No.	PAGE No.	DESCRIPTION	SPL
1	7	ADA Phone Assembly	31-AAA25300T
---	---	Collar, English/French, Code: ASME A17.2-2000/ B44-00 (for SES Phase 2 keyswitch)	31-AAA340CV
2	6	Emergency Stop Switches	---
3	12-13	Faceplate	
4	7	Display Assembly	31-AAA23600X
---	---	Braille Plate, Plastic (for buttons)	31-AAA250Q
5	---	Graphic Plate, Plastic (for call cancel button)	
6	14	Labels	31-AAA102LB
7	11	Lock, COP and Miscellaneous COP Parts	---
---	8	PC Boards	---
---	16	Terminal Panel	---




Table of Contents

31-ABA25000DT



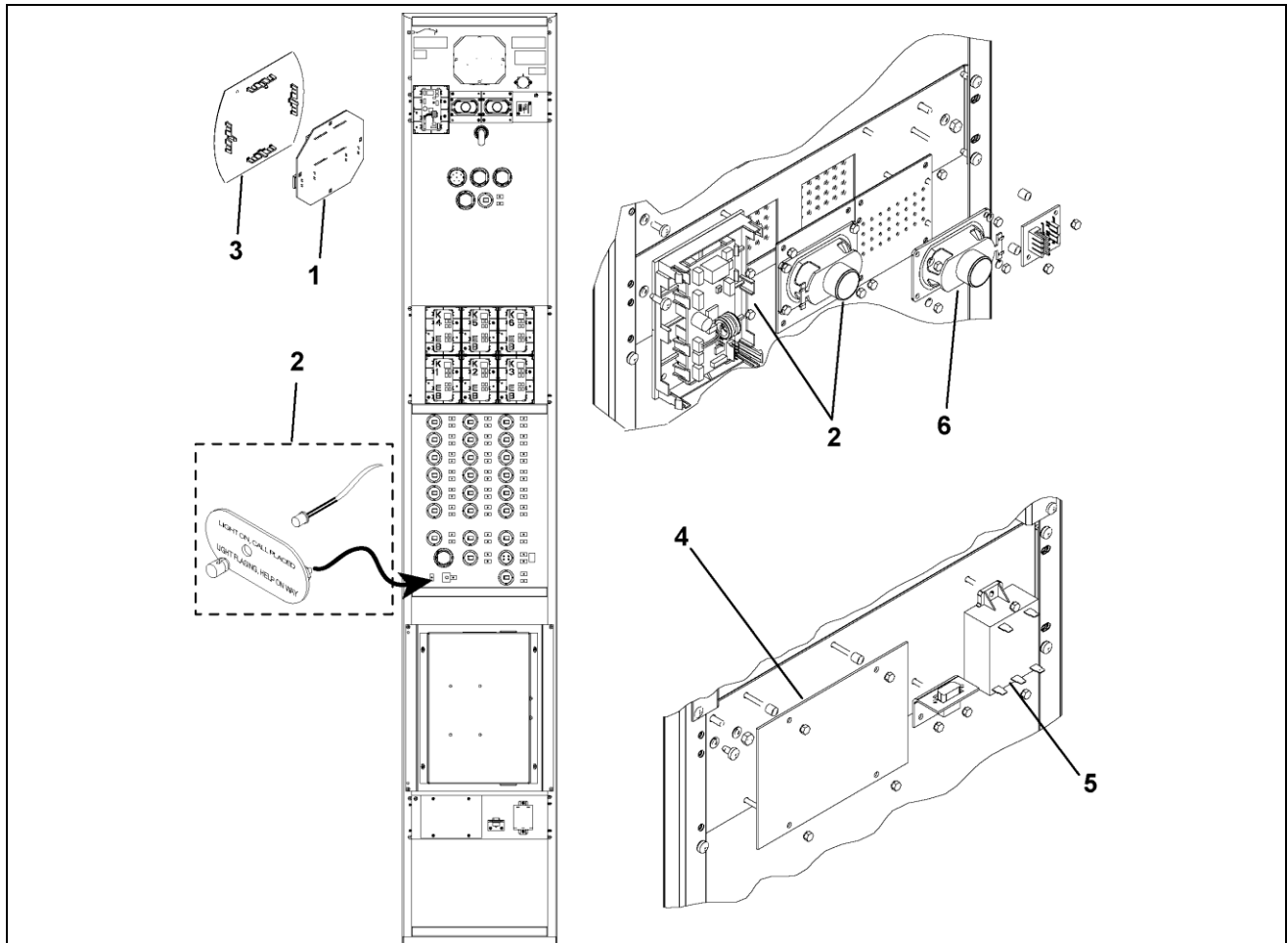
				VINTAGE ABA25000DT		
REF. No.	PAGE No.	DESCRIPTION	SPL	PART TYPE		
1	9	Firefighter's Cabinet	31-AAA7144CK	AAA7144CK		
2	10	Telephone/Service Cabinet	31-AAA7144CG	AAA7144CG		
		Service Cabinet	31-AAA7144CJ	AAA7144CJ		
---	15	Lantern Assembly, In-Car	34-AAA23550U	AAA23550U		
3	---	Buttons, Micromotion III, Luxury, Stainless Steel Finishes		AAA23500CG AAA23500CH		
		Buttons, Micromotion III, Luxury, Bronze Finishes		AAA23500BY AAA23500CH		
		Buttons, Micromotion III, Vandal Resistant, Stainless Steel Finishes		31-AAA23500AK 32-AAA23500CH	AAA23500AM AAA23500CH	
		Buttons, Micromotion III, Vandal Resistant, Bronze Finishes		AAA23500BZ		
		Jewel Assembly		31-AAA23851B	AAA23851B	
		Keyswitch Assemblies: Special Service and SES Phase 2		32-AAA23851A	AAA23851A	
		Keyswitch Assemblies, SES Phase 2: Code = SVC2000 and Local Code =		MA NH, ME, NJ	32-AAA23500F	ABA23500W43 ABA23500W42



ABA2500DT		
REF. No.	PART No.	DESCRIPTION
1	AAA340CV28	Collar (for Run/Stop keyswitch), French Labeling,  SPL 31-AAA340CV
2	MAA396W1	Housing (for Run/Stop toggle switch)
3	AAA23851A3	Keyswitch, Run/Stop, English or Bilingual,  SPL 32-AAA23851A
	AAA23851A4	Keyswitch, Run/Stop, French Markings Only,  SPL 32-AAA23851A
4	AAA72JZ1	Nut (for Run/Stop toggle switch)
5	AAA250G4-STOPTGL	Plate, Graphic, Cast, w/International Markings (for toggle stop switch)
6	AAA613DA2	Relay, 6 V (for alarm button)
7	6073F6	Switch, Toggle, Run/Stop

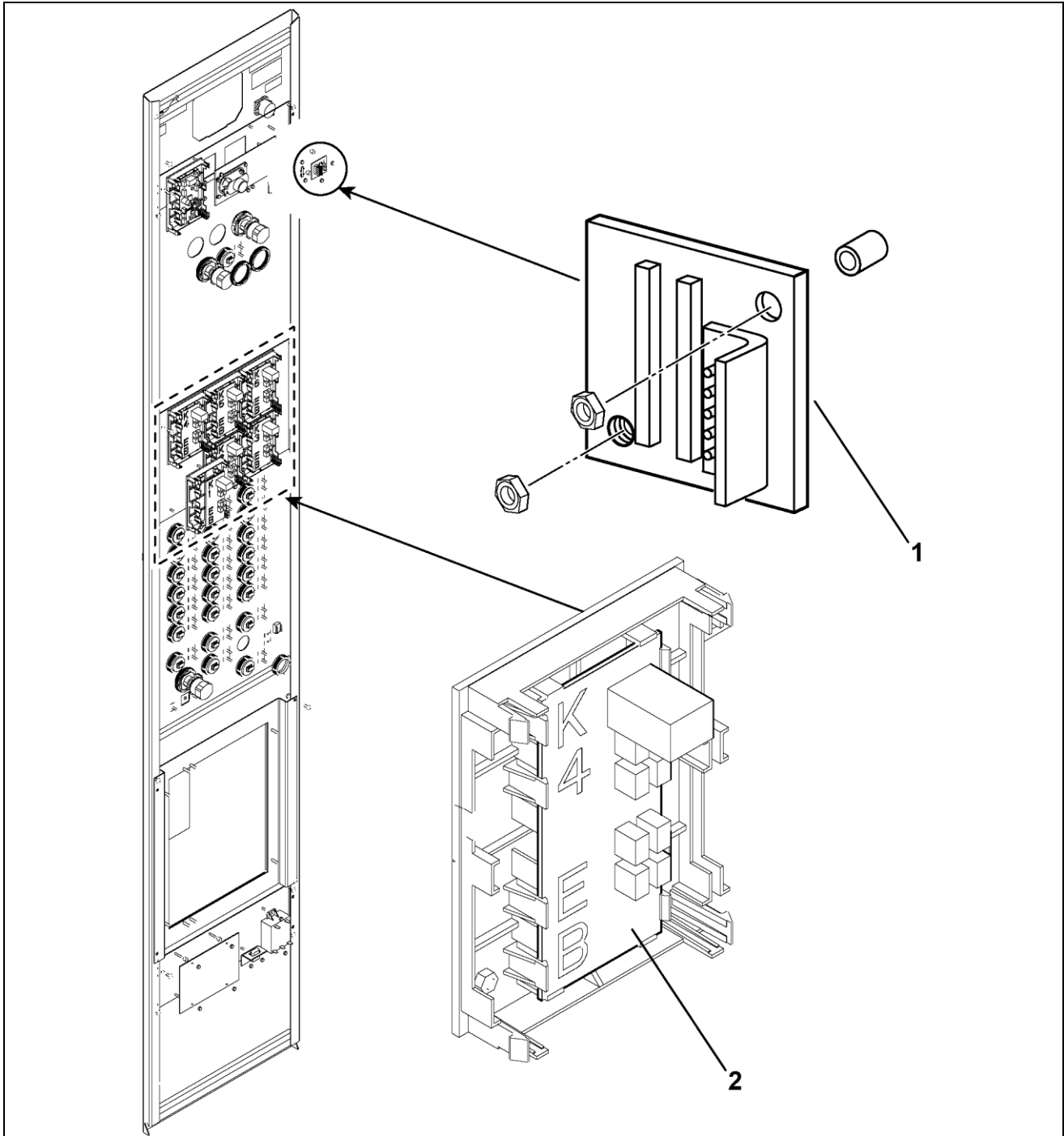
Display & ADA Phone and Voice

31-ABA25000DT



ABA25000DT			
REF. No.	PART No.	DESCRIPTION	
1	AAA23600X500	Assembly, Small Display (remote serial link + secondary car arrows w/SCA)	SPL 22- AAA23600X
	AAA23600X502	Assembly, Small Display (remote serial link and w/o SCA)	
	AAA23600X501	Assembly, Small Display (discrete wiring)	
2	AAA25300T6	Kit, ADA Phone, English, Non-Metallic Graphic	SPL 31-AAA25300T
	AAA25300T7	Kit, ADA Phone, French, Non-Metallic Graphic	
	AAA25300T8	Kit, ADA Phone, French/English, Non-Metallic Graphic	
3	AAA443EP2	Lens	
4	ACA2800ACW1	PC Board, Voice	
5	AAA621AN9 AAA27076JN2	Power Supply, NOTE	
6	AAA655B5	Speaker, 8 Ohms (for VOS)	

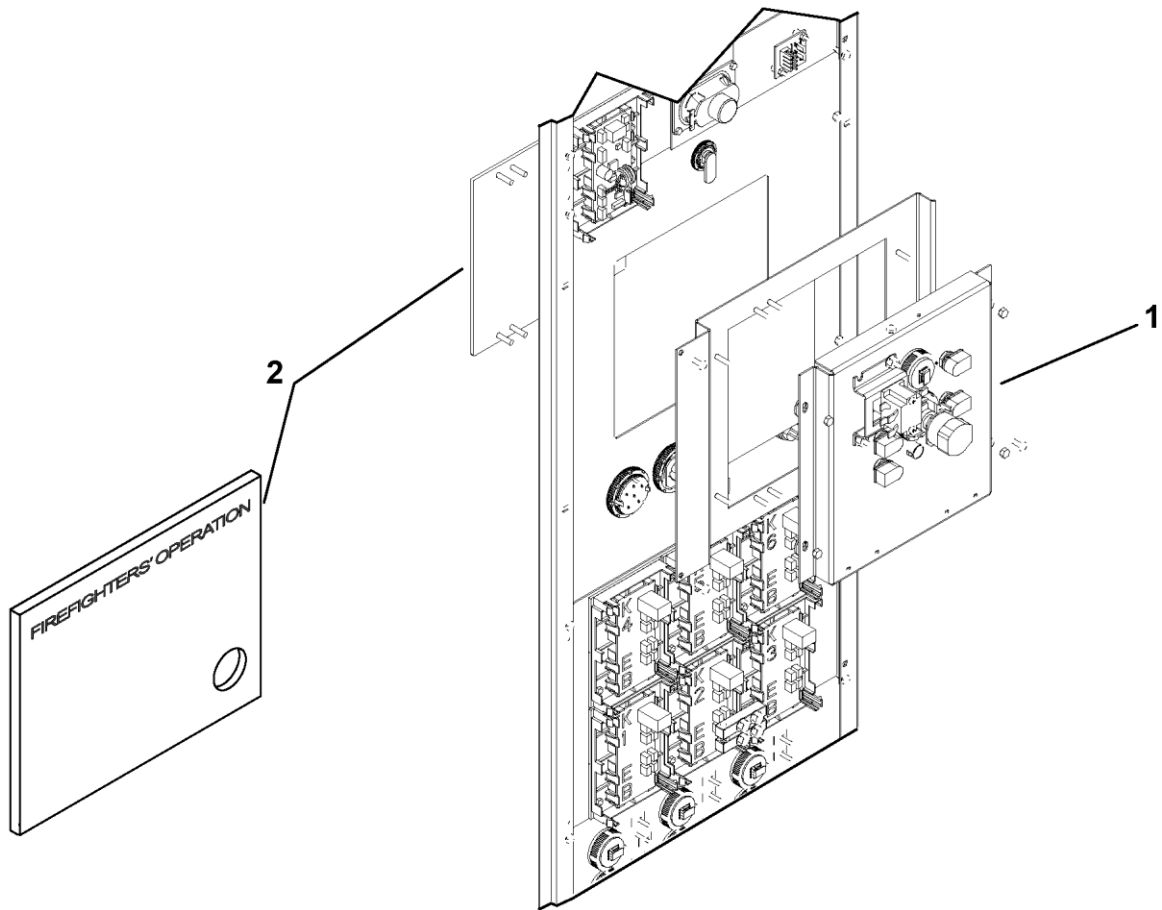
NOTE: AAA27076JN2 is a retrofit kit. For more information, see TIP 20.2-3, AAA621AN9 and AAA621AN43 Power Supply Replacement Information.





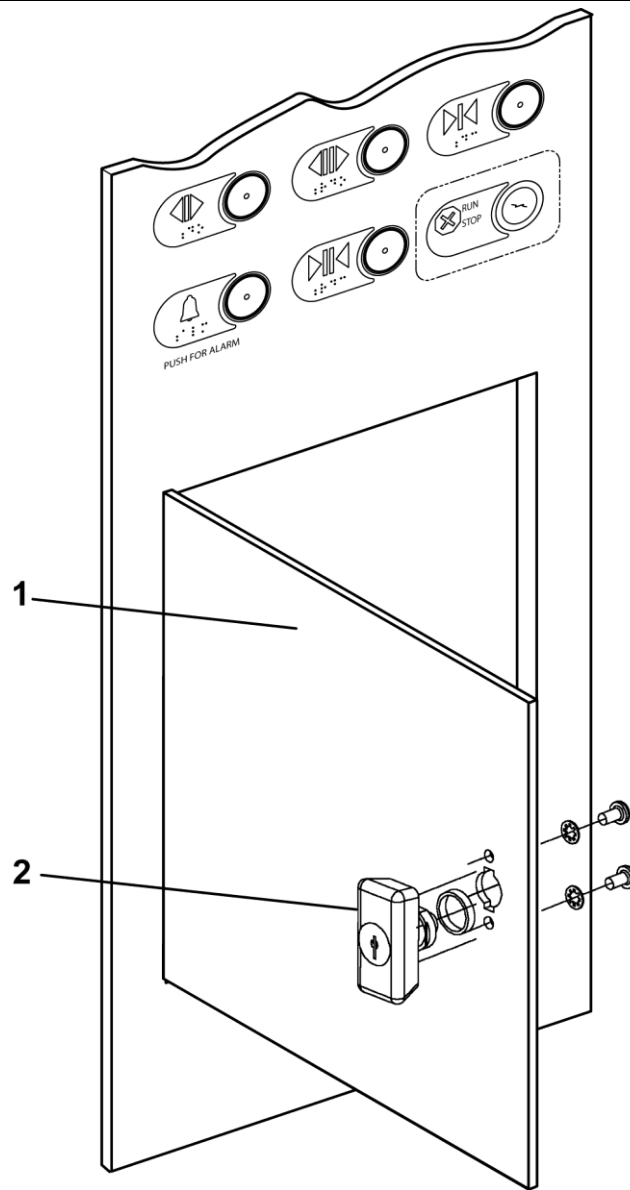
ABA25000DT		
REF. No.	PART No.	DESCRIPTION
1	9693J2	PC Board, Line Terminator (RSL)
2	ABA26800AHE1	PC Board, Remote Station Extender, NRSEB8 (8 I/O)

Firefighter's Cabinet

31-ABA2500DT



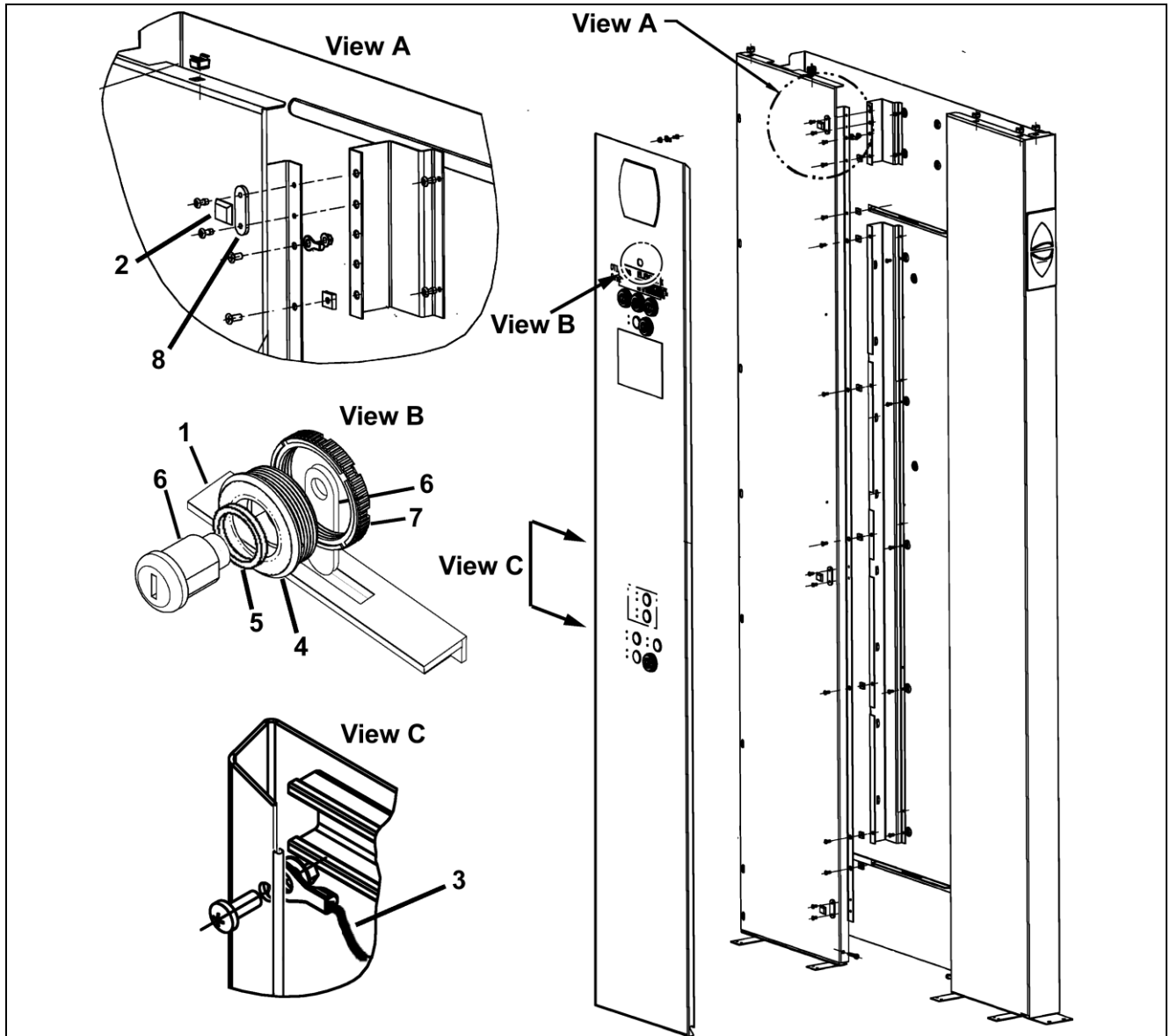
ABA2500DT		FIREFIGHTER'S CABINET & DOORS for Code: SVC2004
REF. No.	PART No.	DESCRIPTION
1	---	Assembly, Firefighter's Cabinet, AAA7144CK,  SPL 31-AAA7144CK
2	---	Door, Firefighter's Cabinet, Type AAA406CE,  SPL 31-AAA406CE



ABA2500DT			
REF. No.	PART No.	DESCRIPTION	FINISH
1	AAA406BU5	Assembly, Door, w/o Certificate Frame	Stainless Steel, Mill 4
	AAA406BU6	Assembly, Door, w/o Certificate Frame	Stainless Steel, Mirror
	AAA406BU7	Assembly, Door, w/o Certificate Frame	Bronze, Brushed
	AAA406BU8	Assembly, Door, w/o Certificate Frame	Bronze, Mirror
2	388BM3-SS4	Handle, Door, w/Lock Cutout, Stainless	Steel, Brushed
	388BM3-SS8	Handle, Door, w/Lock Cutout	Stainless Steel, Mirror
	388BM3-BR7	Handle, Door, w/Lock Cutout	Brass, Brushed
	388BM3-BR8	Handle, Door, w/Lock Cutout	Brass, Mirror

COP Lock & Misc. Parts

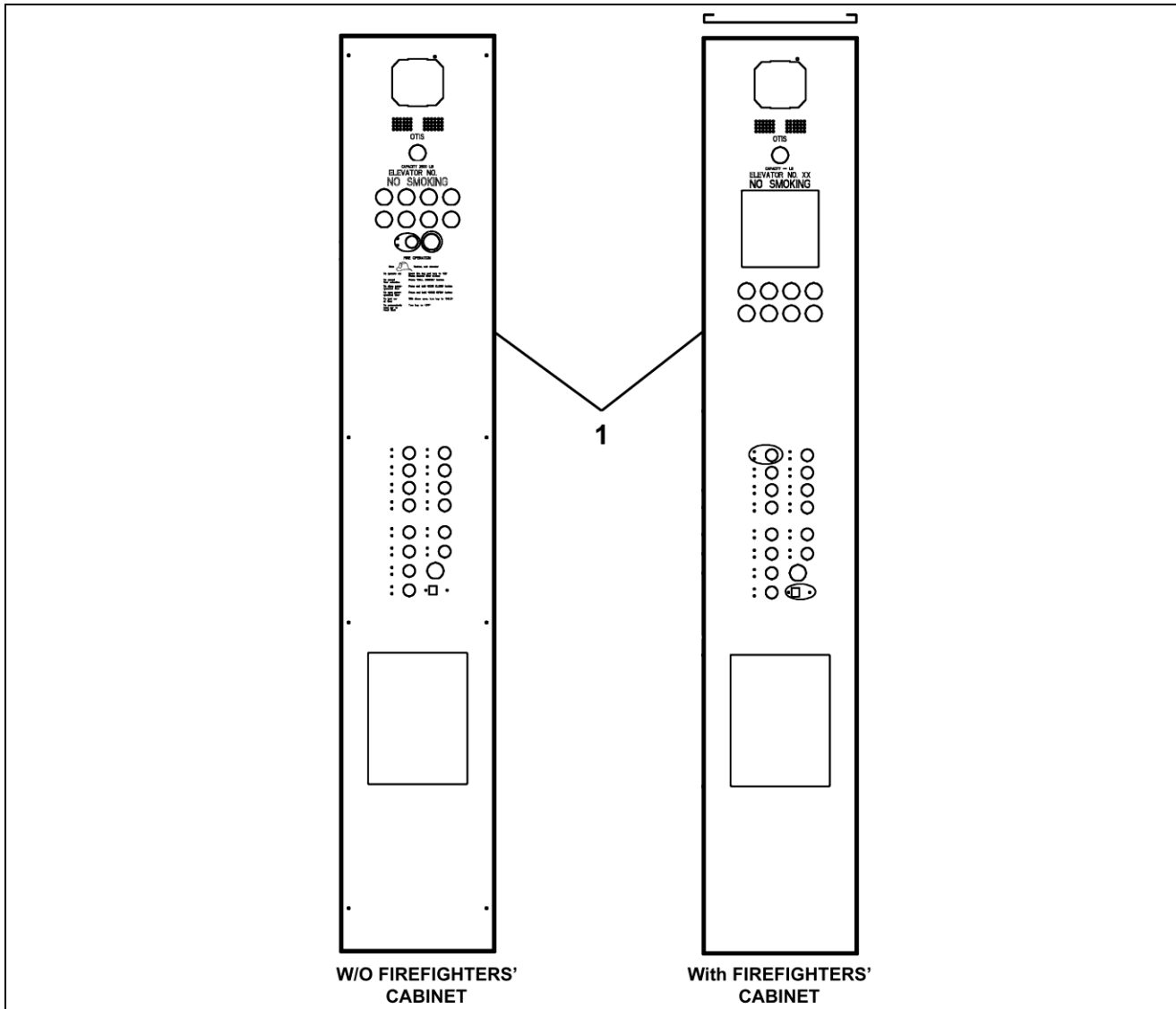
31-ABA2500DT



ABA2500DT

REF. No.	PART No.	DESCRIPTION
1	AAA315ZP	Brace (for lock)
2	AAA320GG1	Bumper, Hard
3	MAA477K4	Cable, Stop, 620 mm L
4	AAA396PJ1	Collar
5	AAA462KI2	Insert
6	AAA00431AAC009	Lock
7	AAA72JZ1	Nut, Lock
8	AAA255MD1	Shim

Faceplate for Main COP



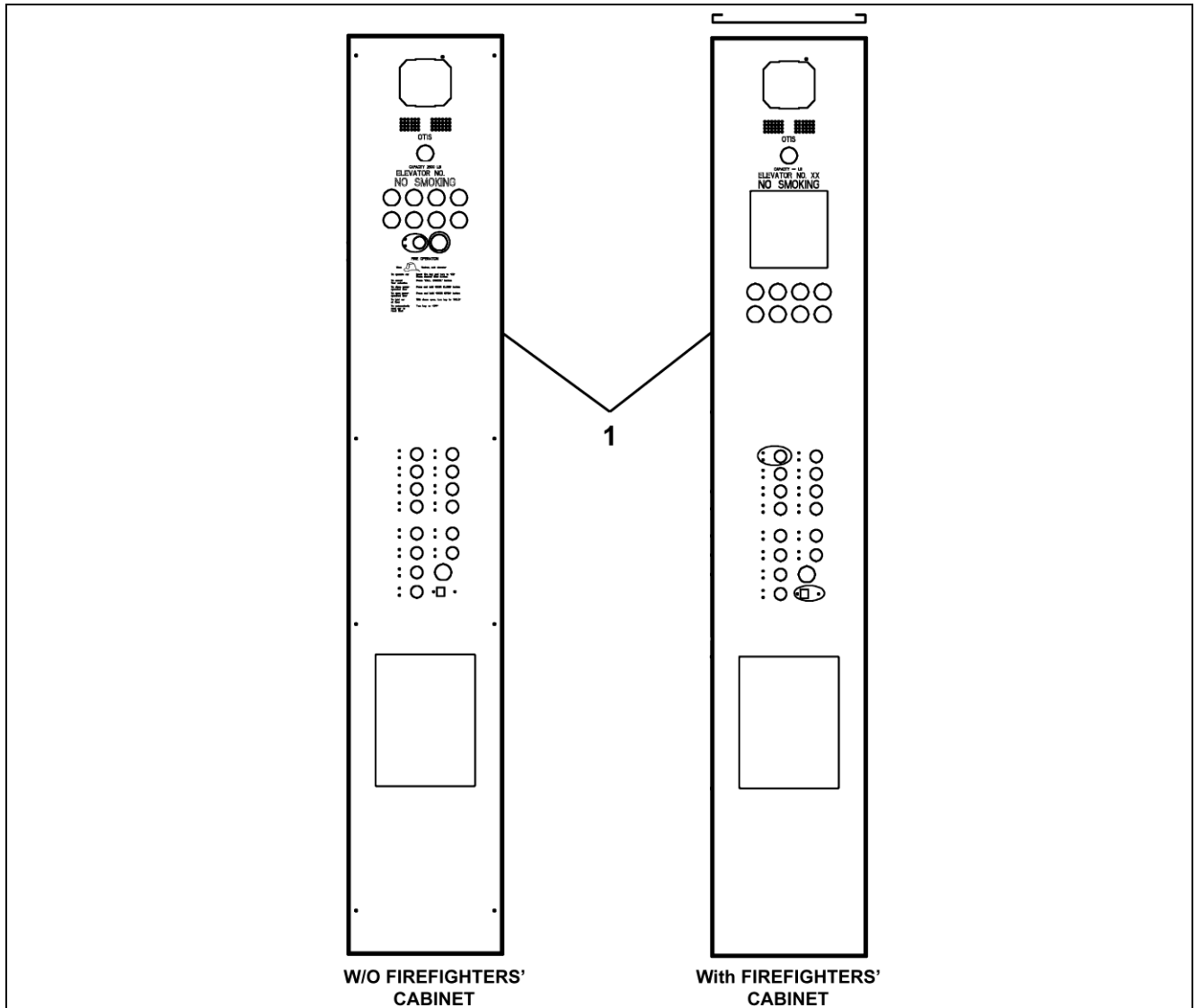
ABA25000DT			
REF. No.	PART No.	DESCRIPTION	FINISH
1	AAA363AEH999-MF4	Faceplate, COP, No Engraving	Stainless Steel, Brushed
	AAA363AEH999-SS8	Faceplate, COP, No Engraving	Stainless Steel, Mirror
	AAA363AEH999-BR7	Faceplate, COP, No Engraving	Bronze, Brushed
	AAA363AEH999-BR8	Faceplate, COP, No Engraving	Bronze, Mirror
	AAA363AEH998-MF4	Faceplate, COP, Engraved	Steel, Brushed
	AAA363AEH998-SS8	Faceplate, COP, Engraved	Stainless Steel, Mirror
	AAA363AEH998-BR7	Faceplate, COP, Engraved	Brass, Brushed
	AAA363AEH998-BR8	Faceplate, COP, Engraved	Brass, Mirror

NOTE: When ordering, indicate if a firefighter’s cabinet is required.

(Continued on next page)

Faceplate for Auxiliary COP

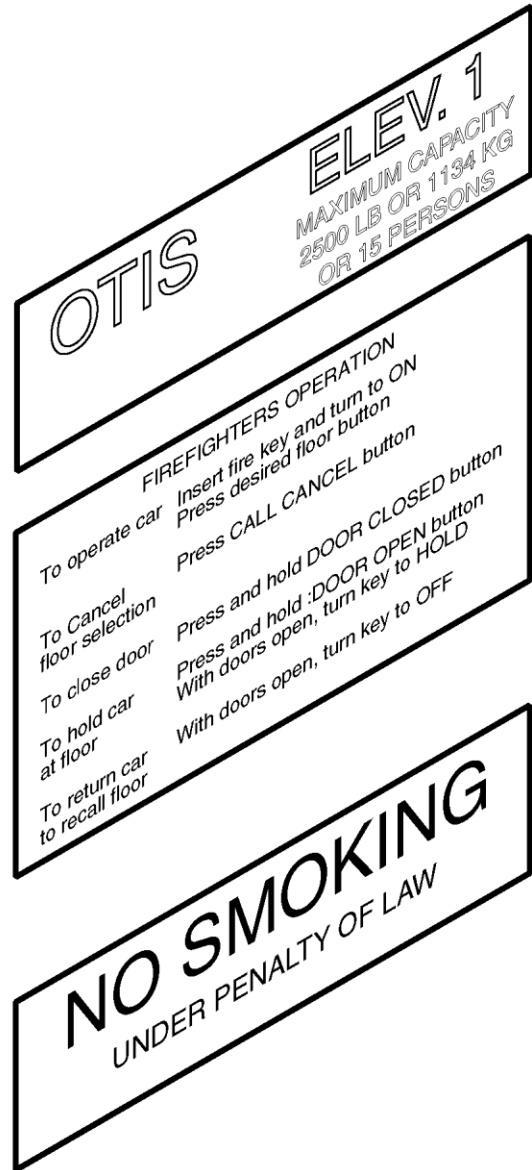
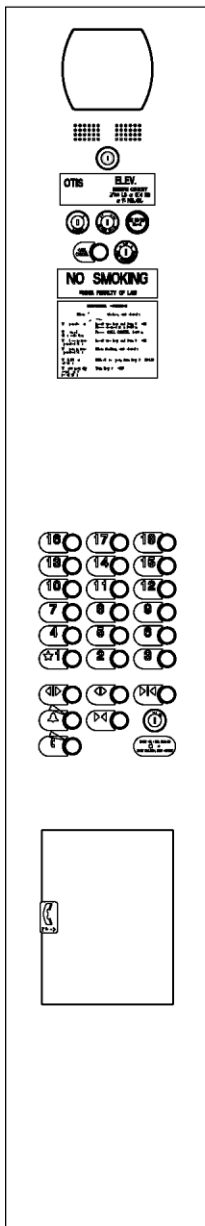
31-ABA25000DT



ABA25000DT			
REF. No.	PART No.	DESCRIPTION	FINISH
1	AAA363AEH997-MF4	Faceplate, COP, No Engraving	Stainless Steel, Brushed
	AAA363AEH997-SS8	Faceplate, COP, No Engraving	Stainless Steel, Mirror
	AAA363AEH997-BR7	Faceplate, COP, No Engraving	Bronze, Brushed
	AAA363AEH997-BR8	Faceplate, COP, No Engraving	Bronze, Mirror
	AAA363AEH996-MF4	Faceplate, COP, No Engraving	Steel, Brushed
	AAA363AEH996-SS8	Faceplate, COP, No Engraving	Stainless Steel, Mirror
	AAA363AEH996-BR7	Faceplate, COP, No Engraving	Brass, Brushed
	AAA363AEH996-BR8	Faceplate, COP, No Engraving	Brass, Mirror

NOTE: When ordering, indicate if a firefighter’s cabinet is required.

Typical Labels

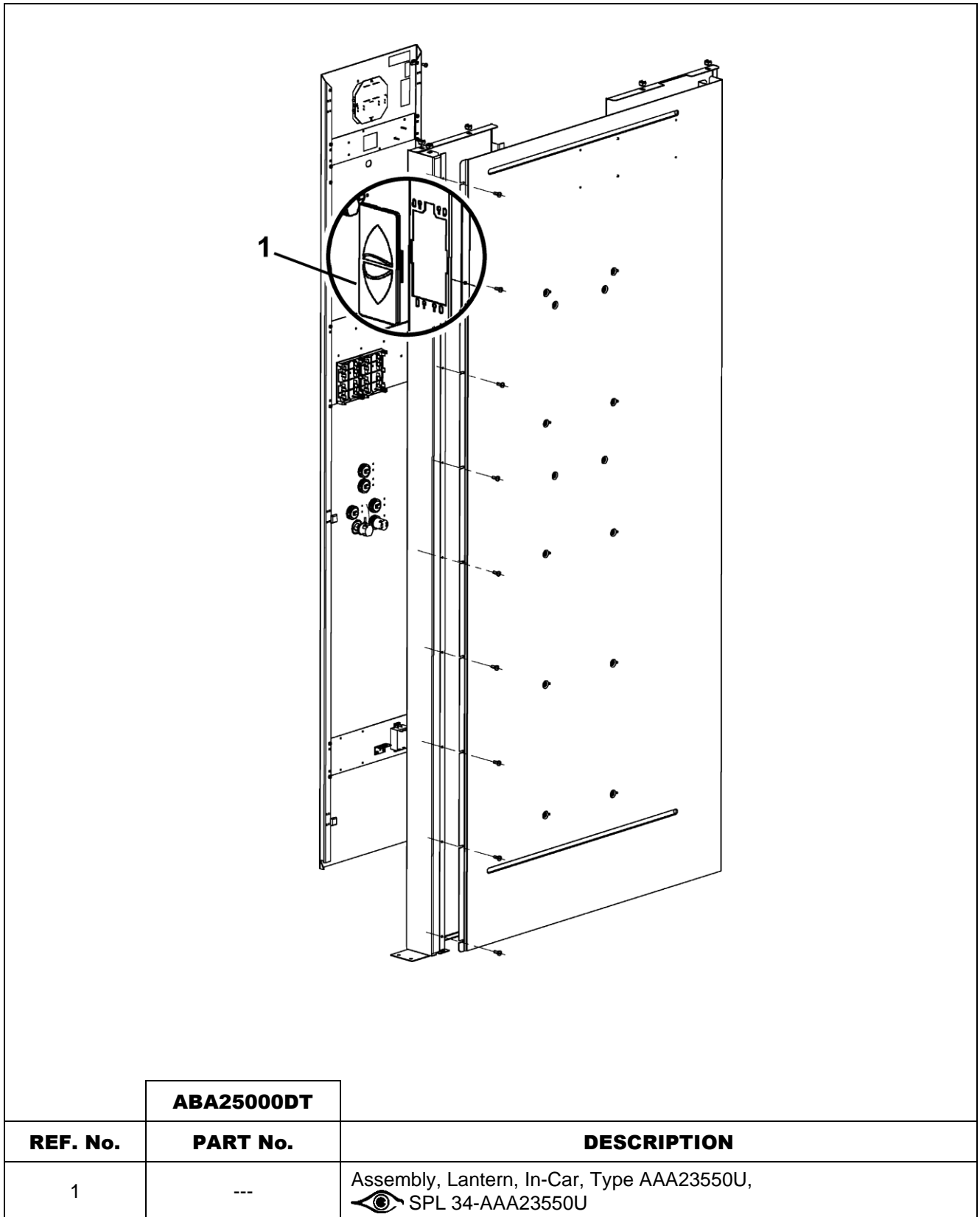



REF. No.	PART No.	DESCRIPTION
---	ABA25000DT See SPL 31-AAA102VB	Labels: No Smoking Fire Department, New York City SES Phase 2 Instructions Fire Operation (for firefighters' cabinet) Data and Capacity
---	---	Faceplate Engravings, See NOTE

NOTE: Contact OSC Customer Service for all faceplate engraving requirements.

In-Car Lantern

31-ABA25000DT



ABA25000DT		
REF. No.	PART No.	DESCRIPTION
1	---	Assembly, Lantern, In-Car, Type AAA23550U,  SPL 34-AAA23550U

