

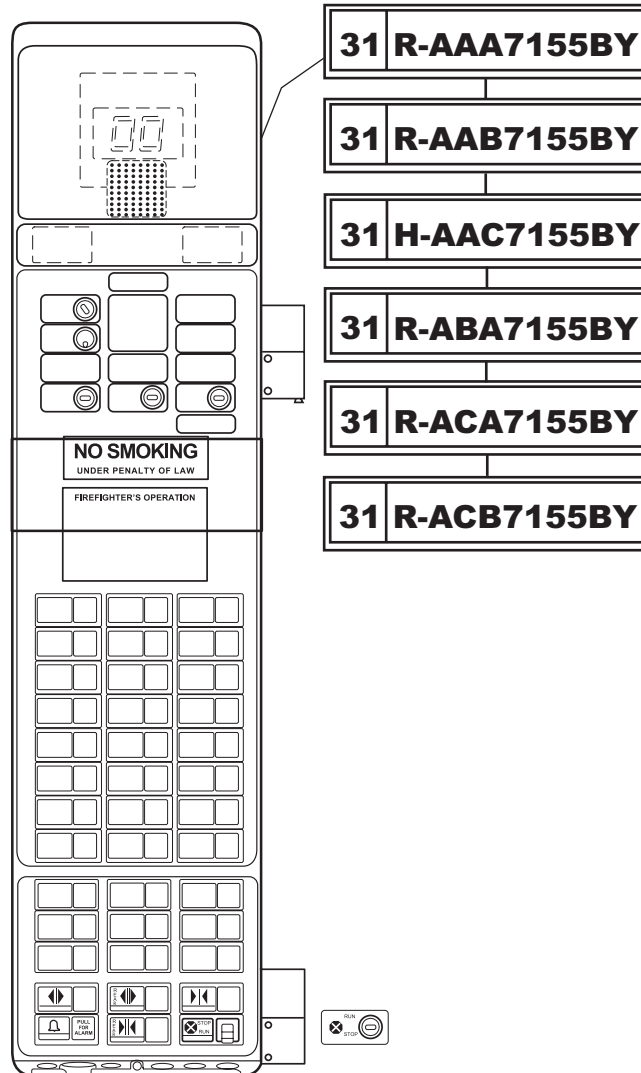
# Car Operating Panel Series 1, 3-Column

Spare Parts Leaflet

31-AAA7155BY

March 10, 2005 / Page 1 of 12

Supersedes SPL 31-AAA7155BY Dated November 15, 2001



Unpublished Work—© Otis Elevator Co.; 2005

# OTIS

Safety First!

SERVICE ENGINEERING  
Otis Elevator Company  
Bloomfield, Connecticut USA

## Leaflet Description

This document details advanced fixtures for series 1, 3-column car operating panel (COP).

## Leaflet Revisions

Date Revised	Subject Matter Expert	Reason for Revision
August 1997	- - -	New Leaflet
April 1, 2000	Val Minnes	Add parts, add artwork
November 15, 2001	John Doane	Update parts, add AAB7155BY to the leaflet, add specific instruction plate parts, and correct mistakes.
March 10, 2005	Joe Zych	Removed 31-AAA7155BX content; added AAA25300T telephone kit assembly on page 10.

## Related Drawings

Drawing No.	Title	Drawing No.	Title
AAA7155BY	Series I, 3-Column, Car Operating Panel	ACB7155BY	Series I, 3-Column, Car Operating Panel
AAB7155BY	Series I, 3-Column, Car Operating Panel	AAA25300T	Communication Device COP Telephone Assembly Kit

## Related Documents

Document ID	Title
SPL 31-AAA7069AAK	Keyswitch Module
SPL 31-AAA7069AAS	Advanced Type Button Module
SPL 31-AAA7069AAR	Advanced Fixtures: Jewel Modules
SPL 31-AAA250G	Advanced Fixtures, Graphic Inserts
SPL 31-250D	Advanced Fixtures, Graphic Inserts
SPL 31-7069AH	Advanced Fixtures Part, 7069AH Keyswitch Module, Production Application 1981–1990
SPL 31-AAA25300T	ADA Telephone Kit Assembly

**(continued on next page)**

# History (continued)

31-AAA7155BY

## Subject Matter Expert

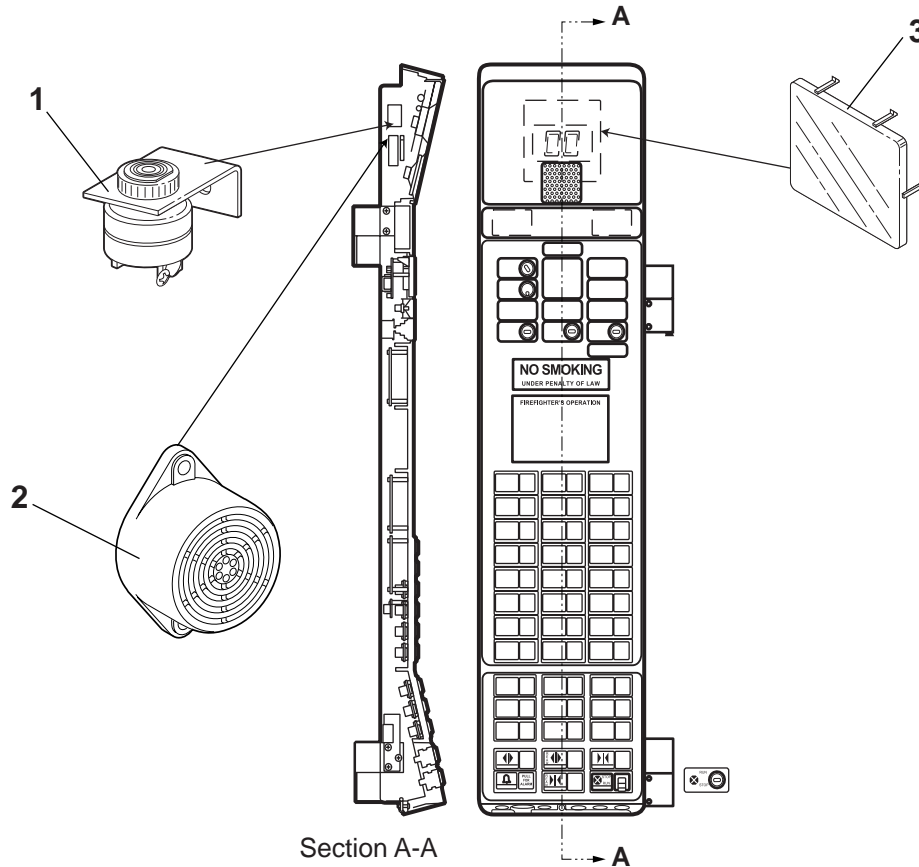
Name	Department
Joe Zych	OSC Service Engineering

## About Spare Parts Leaflets

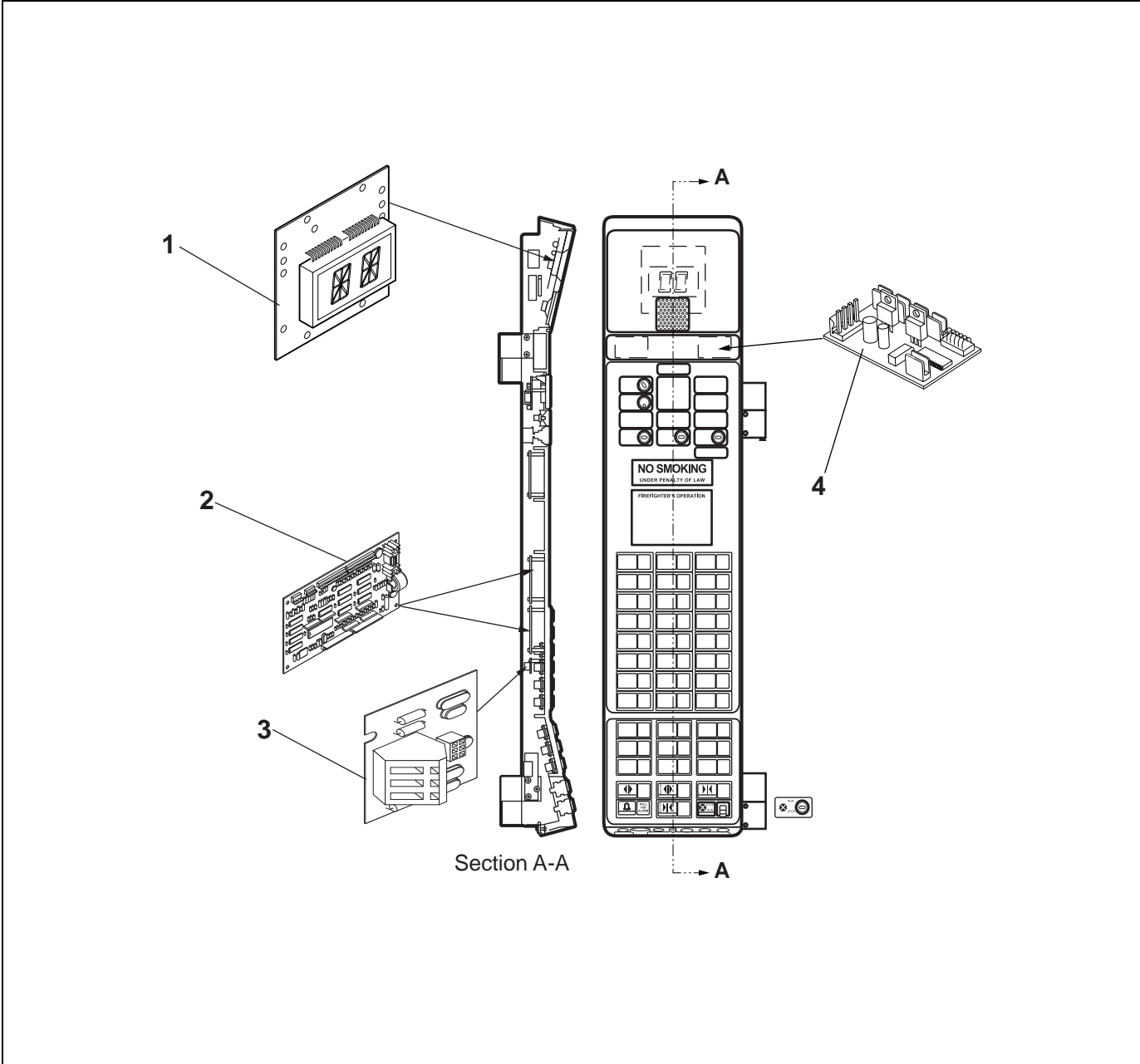
This document lists the lowest replaceable units (LRUs) for the standard version of the product. The LRUs are chosen by a team of Otis associates representing engineering and manufacturing.

While goal of this document is to make parts identification as easy as possible, the document cannot be all-inclusive. Elevator and escalator contracts classified as "special" or "custom" are not addressed here. For such contracts, please refer to specified information, the contract folder, TIPS, Field Education Articles, Construction Letters, etc. for further information.

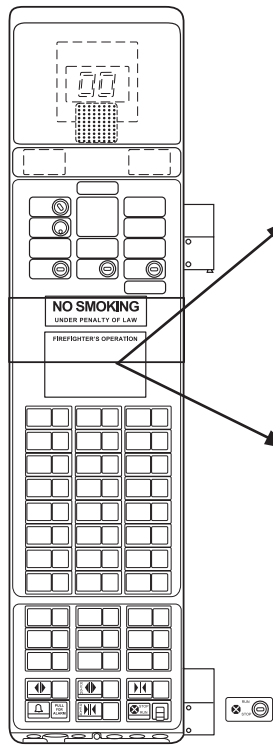
If you have any suggestions about this document, please contact the subject matter expert listed on this page.



ALL VINTAGES		
REF. No.	PART No.	DESCRIPTION
1	A6219G2	Assembly, Audible Signal Device (Floor Passing Tone) w/Bracket and Adhesive, 110 VAC
2	6219F3	Buzzer (for SES Phase 1), 7-16 VDC, Sound 75 dB min.
3	443CA1	Lens, Transparent Green, 11.3 in. x 8.62 in., w/o Speaker Grill
	443CA3	Lens, Transparent Green, 11.3 in. x 8.62 in., w/Speaker Grill



ALL VINTAGES		
REF. No.	PART No.	DESCRIPTION
1	ACA26800HJ1	PC Board, Position Indicator
2	ABA26800TV1	PC Board, Remote Station Extender (16-channel)
	ABA26800TH1	PC Board, Remote Station Extender (32-channel)
3	AAA26800UX2	PC Board, Line Terminator
4	GAA25005B10	PC Board, Remote Station (RS14)
	GCA25005B1	PC Board, NRSEB-32



**FIREFIGHTERS' OPERATION**

To operate car      Insert fire key and turn to "ON"  
                                  Press desired floor button

To cancel floor selection      Press "CALL CANCEL" button

To close door      Press and hold "DOOR CLOSE" button

To open door      Press and hold "DOOR OPEN" button

To hold car at floor      With doors open, turn key to "HOLD"

To return car to recall floor      With doors open, turn key to "OFF"

1

**FIREFIGHTERS' OPERATION**

To operate car      Insert fire key and turn to "ON"  
                                  Press desired floor button

To cancel floor selection      Press "CALL CANCEL" button

To close power-operated door      Press and hold "DOOR CLOSE" button

To open power-operated door      Press and hold "DOOR OPEN" button

To hold car at floor      With doors open, turn key to "HOLD"

To automatically send car to recall floor      With doors open, turn key to "OFF"

2

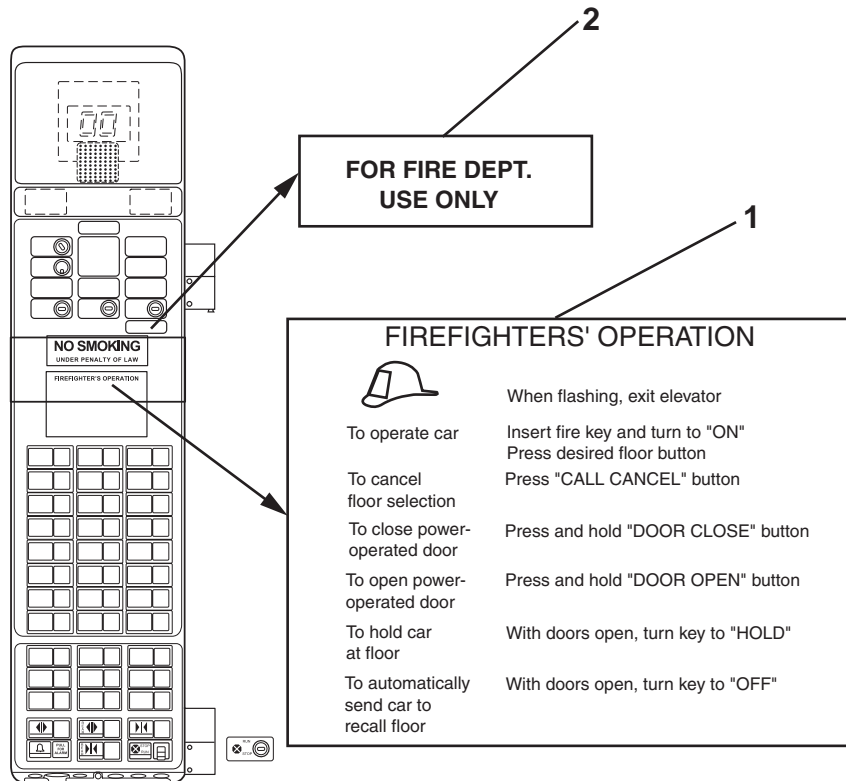
ALL VINTAGES

REF. No.	PART No.	MATERIAL	APPLICABLE CODE	DESCRIPTION
1	AAA102VB7	MF4 Stainless Mill 4	ANSI A17.1, Rule 211.7 (a) Barclay Calif Code Canada B44	Plate, Instruction (firefighters' operation)
	AAA102VB8	SS4 (brushed stainless)		
	AAA102VB9	SS8 (mirrored stainless)		
	AAA102VB10	BR7 (brushed brass)		
	AAA102VB11	BR8 (mirrored brass)		
	AAA102VB12	Clear Polycarbonate		
	AAA102VB73	MF7 Bronze Mill 7		
2	AAA102VB36	MF4 Stainless Mill 4	ANSI A17.1 1996 Canada B44	Plate, Instruction (firefighters' operation)
	AAA102VB37	SS4 (brushed stainless)		
	AAA102VB38	SS8 (mirrored stainless)		
	AAA102VB39	BR7 (brushed brass)		
	AAA102VB40	BR8 (mirrored brass)		
	AAA102VB41	Clear Polycarbonate		
	AAA102VB72	MF7 Bronze Mill 7		

(Continued on next page)

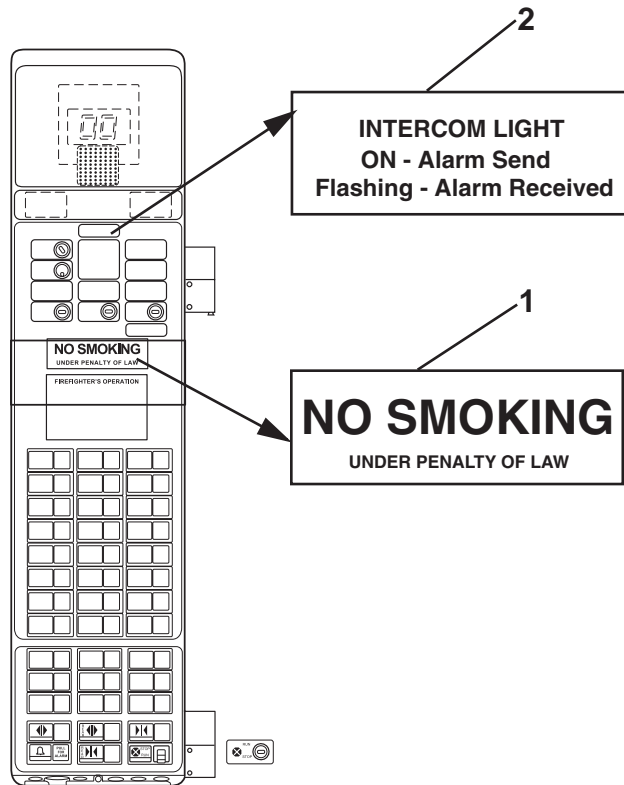
# Instruction Plate

31-AAA7155BY



ALL VINTAGES				
REF. No.	PART No.	MATERIAL	APPLICABLE CODE	DESCRIPTION
1	AAA102VB54	MF4 Stainless Mill 4	ANSI A17.1 1998	Plate, Instruction (firefighters' operation)
	AAA102VB55	SS4 (brushed stainless)		
	AAA102VB56	SS8 (mirrored stainless)		
	AAA102VB57	BR7 (brushed brass)		
	AAA102VB58	BR8 (mirrored brass)		
	AAA102VB59	Clear Polycarbonate		
2	AAA102VB25	MF4 Stainless Mill 4	N.Y.C. Code	Plate, Instruction (fire dept. use)
	AAA102VB26	SS4 (brushed stainless)		
	AAA102VB27	SS8 (mirrored stainless)		
	AAA102VB28	BR7 (brushed brass)		
	AAA102VB29	BR8 (mirrored brass)		

(Continued on next page)



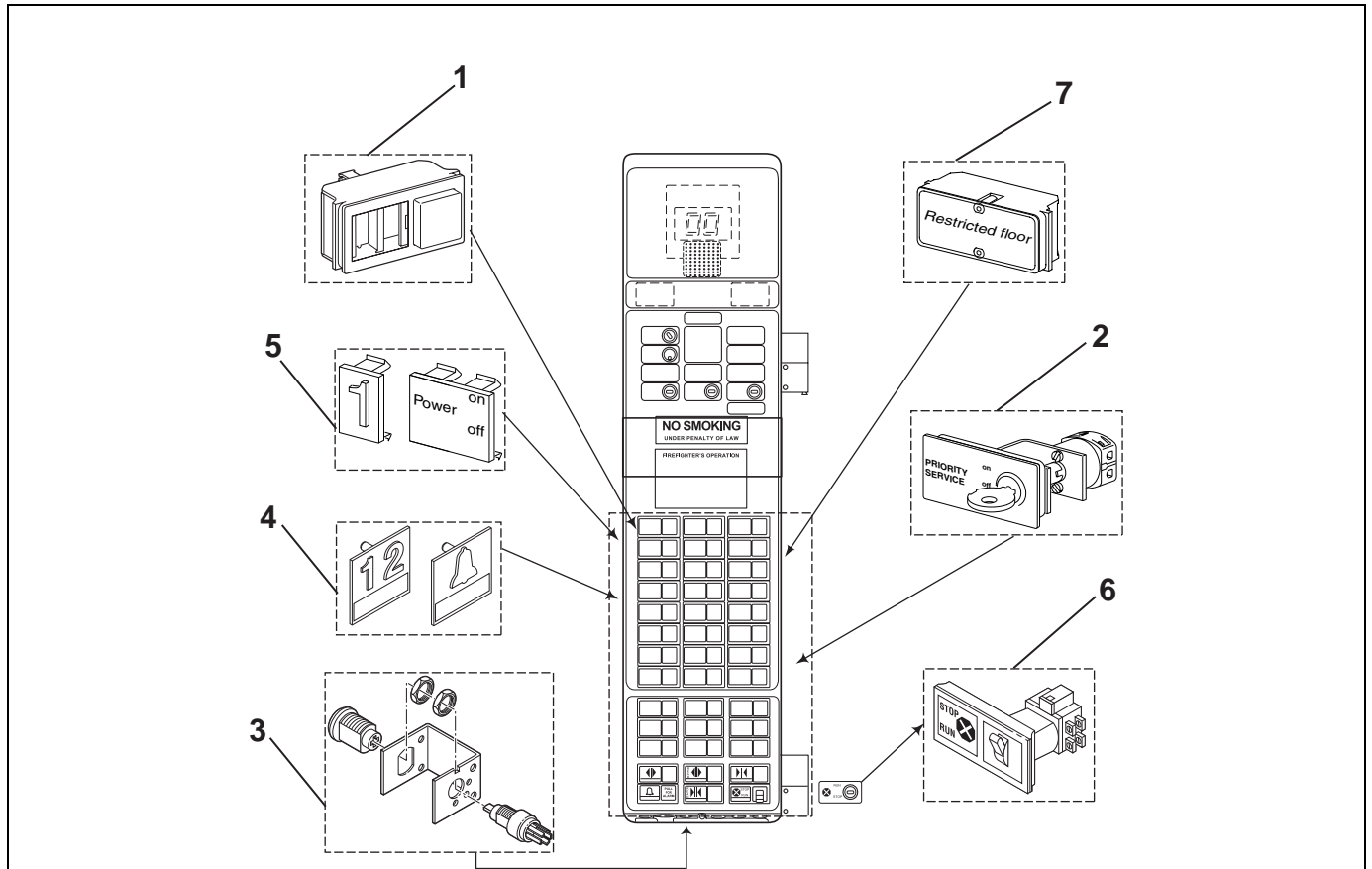
REF. No.	PART No.	MATERIAL	APPLICABLE CODE	DESCRIPTION
ALL VINTAGES				
1	AAA102VB15	MF4 Stainless Mill 4	---	Plate, Instruction (no smoking)
	AAA102VB16	SS4 (brushed stainless)		
	AAA102VB17	SS8 (mirrored stainless)		
	AAA102VB18	BR7 (brushed brass)		
	AAA102VB19	BR8 (mirrored brass)		
2	AAA102VB20	MF4 Stainless Mill 4		Plate, Instruction (intercom instruction)
	AAA102VB21	SS4 (brushed stainless)		
	AAA102VB22	SS8 (mirrored stainless)		
	AAA102VB23	BR7 (brushed brass)		
	AAA102VB24	BR8 (mirrored brass)		



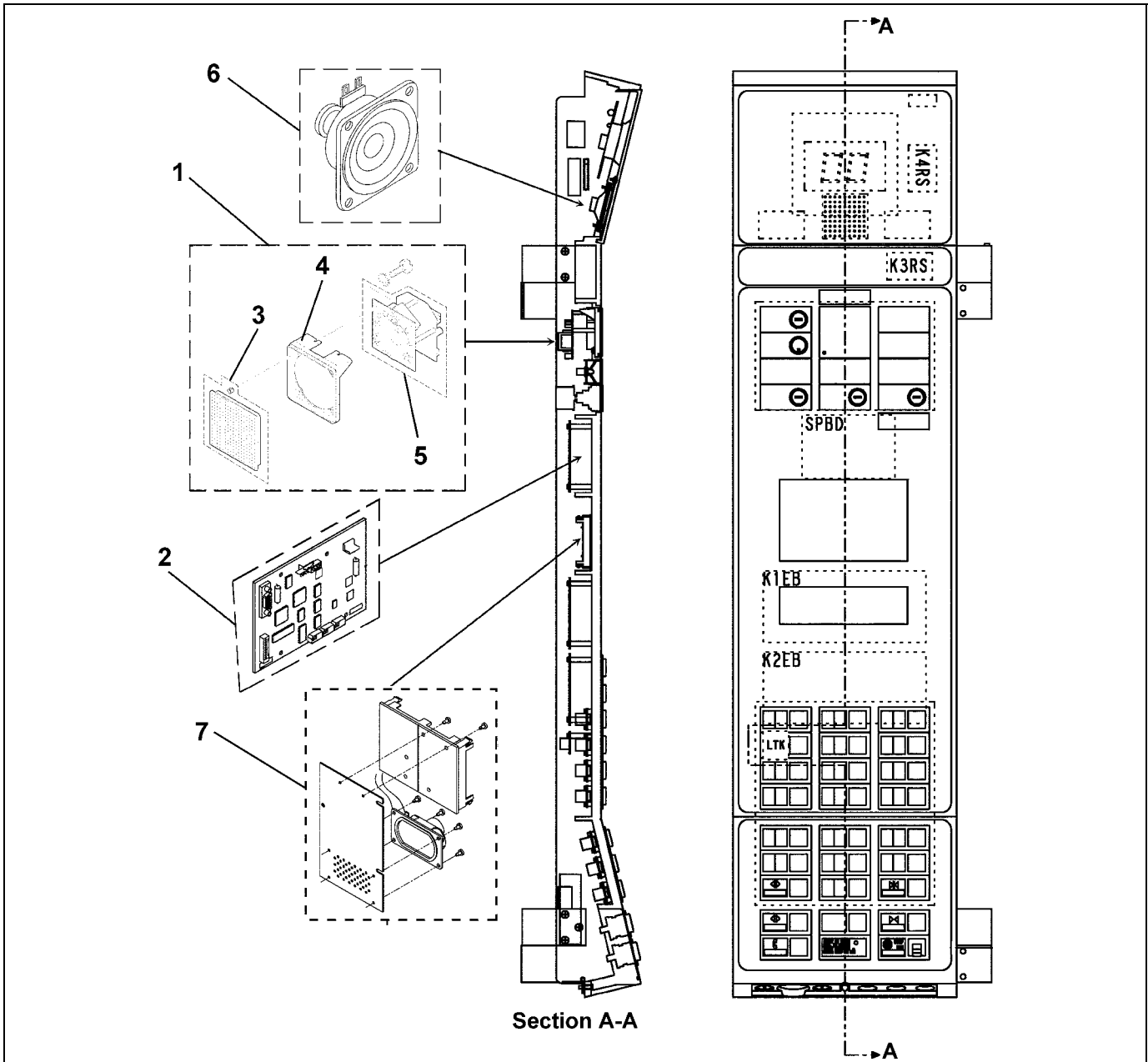
# Cross-References

31-AAA7155BY

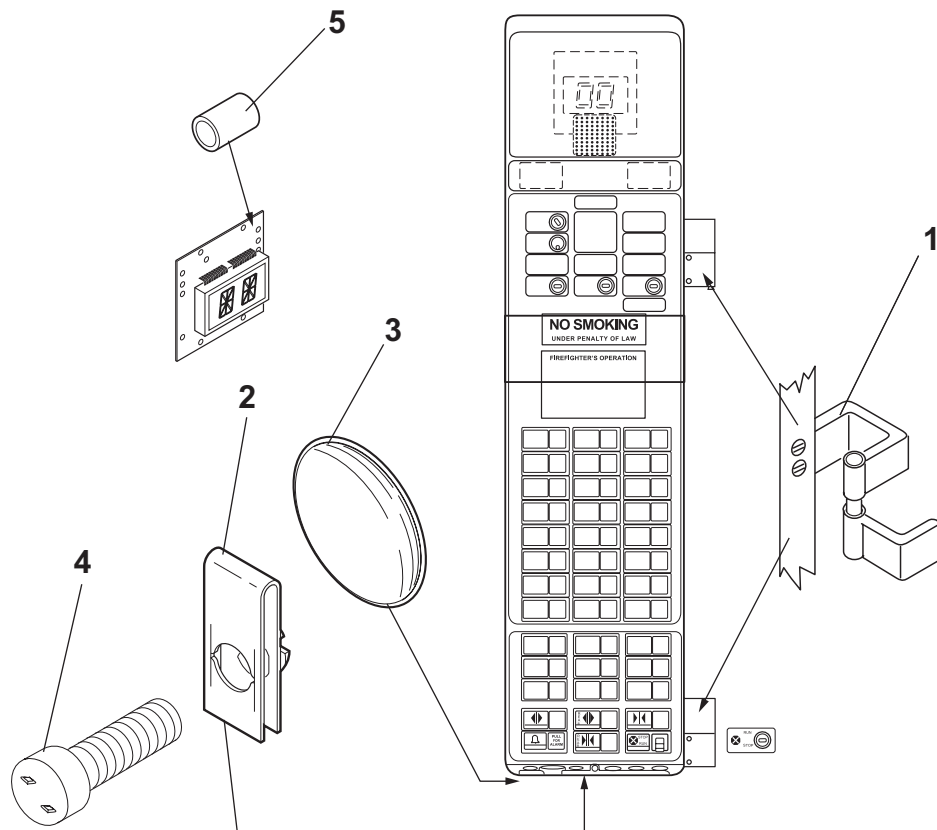
## for Keyswitch & Button Modules



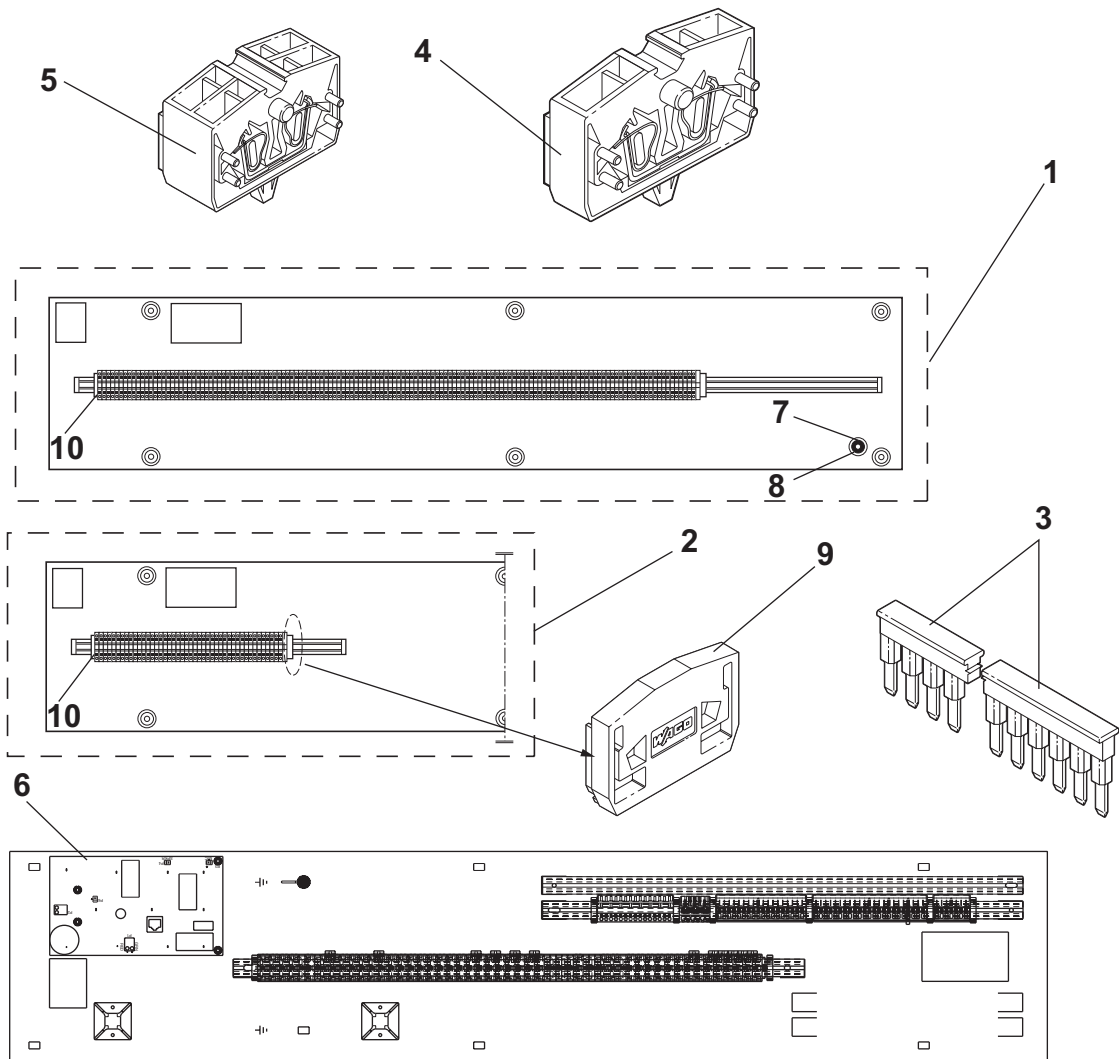
ALL VINTAGES		
REF. No.	PART No.	DESCRIPTION
1	---	Assembly, Button Module, w/o Insert, Type AAA7069AAS,  SPL 31-AAA7069AAS
2	---	Assembly, Keyswitch Module, Type AAA7069AAK,  SPL 31-AAA7069AAK
3	---	Assembly, Keyswitch, Type 6410W,  SPL 31-7069AH
4	---	Insert, Graphic, Raised Character w/Braille, Type AAA250G,  SPL 31-AAA250G
5	---	Insert, Graphic, Raised Character, Single / Double, Type 250D/E,  SPL 31-250D
6	---	Module, Emergency Stop Switch, Type 7069AK
7	---	Module, Jewel, Type AAA7069AAR,  SPL 31-AAA7069AAR




REF. No.	PART No.	DESCRIPTION
	ALL VINTAGES	
1	AAA7069AAH1	Assembly, Intercom/Speech
2	ABA26800ACW1	Board, Speech
3	AAA396NE2	Chicklet, Intercom
4	396NB1	Housing, Speaker
5	AAA433PS1	Speaker, Intercom/Speech
6	A433NB2	Speaker, Speech
7	---	Telephone, ADA, Type AAA25300T,  SPL 31-AAA25300T ( <b>NOTE:</b> Used only with ACB7155BY COP type)



ALL VINTAGES		
REF. No.	PART No.	DESCRIPTION
1	391CA1	Hinge, Lower,  COP
	391CA2	Hinge, Lower,  COP
	391CA3	Hinge, Upper,  COP
	391CA4	Hinge, Upper,  COP
2	72BX6	Nut, Speed, for Tamper Resistant Screw
3	444BK1	Plug, 1.0 in. $\varnothing$ , w/o Keyswitch
	444BK2	Plug, 1.62 in. $\varnothing$ , w/o Keyswitch
4	VP-855550	Screw, Tamper Resistant, Oval Head, Size = 10-24 x 1 in. L
5	462GV3	Spacer, Nylon, W = 0.12 in.



ALL VINTAGES		
REF. No.	PART No.	DESCRIPTION
1	AAA21303BA1	Assembly, Terminal Block, L = 1000 mm
2	AAA21303BA2	Assembly, Terminal Block, L = 330 mm
3	AAA303EP120	Bar, Jumper
4	AAA303EP112	Block, 2-Conductor Terminal (Grey)
5	AAA303EP116	Block, 4-Conductor Terminal (Grey)
6	AAA25300P1	Board, COP Phone, Only  AAA7155BY Arrangement
7	AAA176HG2	Connector, Grounding
8	AAA00026AAM002	Hardware, Grounding
9	AAA303EP110	Plate, End
10	AAA303EP32	Stop, Plastic End