

Keyswitch Housings

Spare Parts Leaflet

31-AAA396PJ

June 14, 2023 / Page 1 of 19

**W/O
VINTAGE**



OTIS

This document does not contain any technical data subject to EAR or ITAR

SERVICE ENGINEERING
Otis Elevator Company
Bloomfield, Connecticut USA

Unpublished Work—© Otis Elevator Co.; 2023

Leaflet Description

This fixture applies to the hydraulic and traction product fixtures.

Leaflet Revisions

Date Revised	Subject Matter Expert	Reason for Revision
June 21, 2006	Joseph Zych	New SPL initial release
March 31, 2021	Vadzim Fedarenka	Added pictures, keyswitch housing descriptions, housing marking tables, housing label: signage
March 16, 2022	Vadzim Fedarenka	Added p/ns AAA396PJ233 & 234 on pp. 11 & 19
June 14, 2023	Vadzim Fedarenka	Corrected mount location for AAA396PJ150 (was COP) on p. 8; Corrected housing type for AAA396PJ210 (was II) on p. 10

Related Drawings

Drawing No.	Title	Drawing No.	Title
AAA396PJ	Housing, Keyswitch	AAA102AYK	Label, Keyswitch Housing

Related Documents

Document ID	Title
SPL 32-AAA23851A	<i>Hall Option Assembly, Landing Fixture, Keyswitch</i>
TIP 4.0-39	<i>Keyswitch Resurface Labeling</i>

Subject Matter Expert

Name	Department
Vadzim Fedarenka	OSC Service Engineering

About Spare Parts Leaflets...

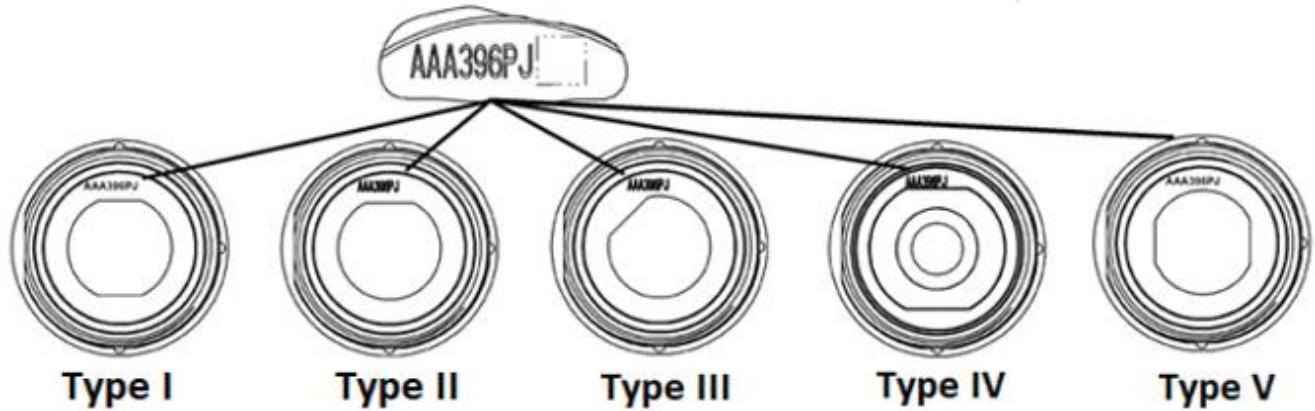
This document lists the lowest replaceable units (LRUs) for the standard version of the product. The LRUs are chosen by a team of Otis associates representing engineering and manufacturing.

While goal of this document is to make parts identification as easy as possible, the document cannot be all-inclusive. Elevator and escalator contracts classified as "special" or "custom" are not addressed here. For such contracts, please refer to specified information, the contract folder, TIPs, Field Education Articles, Construction Letters, etc. for further information.

If you have any suggestions about this document, please contact the subject matter expert listed on this page.

Keyswitch Housings, BLANK

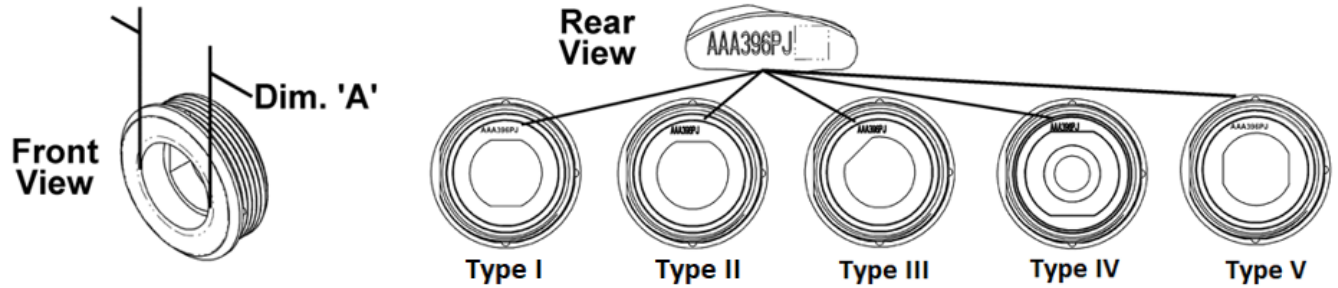
31-AAA396PJ



Part No	Type	Color	Use with Lock or Keyswitch Type
AAA396PJ1	I	Black	AAA431AF, AAA634D, AAA634F, 6410W
AAA396PJ2	I	Black	AAA431AK
AAA396PJ3	II	Black	AAA00431AAF
AAA396PJ4	I	Black	FAA431R
AAA396PJ5	I	Red	AAA431AF, AAA634D, AAA634F, 6410W
AAA396PJ6	I	Red	AAA431AK
AAA396PJ7	II	Red	AAA00431AAF
AAA396PJ8	I	Red	FAA431R
AAA396PJ9	III	Blue	AAA634C
AAA396PJ10	I	Blue	FAA431R
AAA396PJ85	IV	Black	6599F
AAA396PJ93	V	Red	AAA634D
AAA396PJ153	I	Black	AAA431AK
AAA396PJ191	I	Blue	AAA431AF
AAA396PJ192	I	Black	AAA431AK
AAA396PJ195	I	Yellow	AAA431AF, AAA634D, AAA634F, 6410W
AAA396PJ196	I	Yellow	AAA431AK
AAA396PJ197	II	Yellow	AAA00431AAF

31-AAA396PJ

Keyswitch Housings



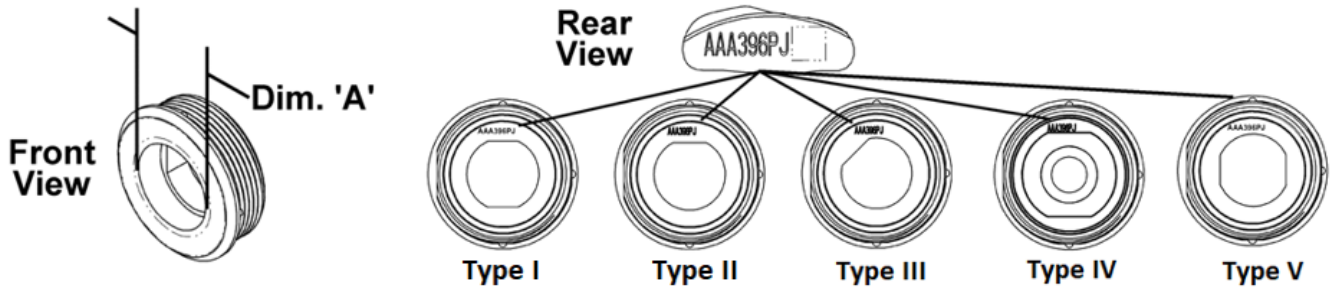
DESCRIPTION: Keyswitch Housings
 (pp 12-19 for Housing Markings)

Function	PART No.	Type	Mat'l Color	Text Color	Dim. 'A' (mm)	Mount Location	
Elevator Communication Failure (BLANK)	AAA396PJ1	I	Black	---	22.30	Hall Option Box (HOB)	
Attendant Service	AAA396PJ11	I	Black	White	22.30	COP Series 5 Type AAA25000DM only.	
Floor Lockout (Only Labeled ON/OFF)							
Inspection Initiation (Only Labeled ON/OFF)							
Attendant Service (French)	AAA396PJ12	I	Black	White	22.30		
Emergency Hospital (French)							
Floor Lockout (Only Labeled ON/OFF) (French)							
In-Car Stop (French)							
Independent Service (French)							
Inspection Initiation (Only Labeled ON/OFF)							
Floor Lockout (French)							
Floor Lockout (French)	AAA396PJ12 *	I	Black	White	22.30		
In-Car Stop Keyswitch	AAA396PJ13	I	Black	White	22.30		
Light (International Marking)	AAA396PJ15	I	Black	White	22.30		
Single Speed Fan (Discrete Hydro)							
Fire Recall, SES Phase I, A17.1 2000	AAA396PJ16	I	Red	White	22.30	HOB	
Fire Recall, SES Phase I, Pre 2000	AAA396PJ17	I	Red	White	22.30		
Fire Recall, SES Phase I (SC)							
Fire Recall, SES Phase I, B44-00 (French)	AAA396PJ18	I	Red	White	22.30		
Fire Recall, SES Phase I (NYC)	AAA396PJ19	I	Red	White	25.50		
Fire Recall, SES Phase I, Pre 2000 (CT)	AAA396PJ20	II	Red	White	22.30		
Fire Recall, SES Phase I, Pre 2006 (MA or ME)	AAA396PJ21	I	Red	White	25.50		
Fire Recall, SES Phase I (RI)	AAA396PJ23	I	Red	White	22.30		
Fire Recall Remote, SES Phase I, A17.1-2000	AAA396PJ24	I	Red	White	22.30		HOB or Lobby Panel
Fire Recall Remote, SES Phase I, Pre 2000	AAA396PJ25	I	Red	White	22.30		

* When ordering, indicate floor numbers.

Keyswitch Housings

31-AAA396PJ

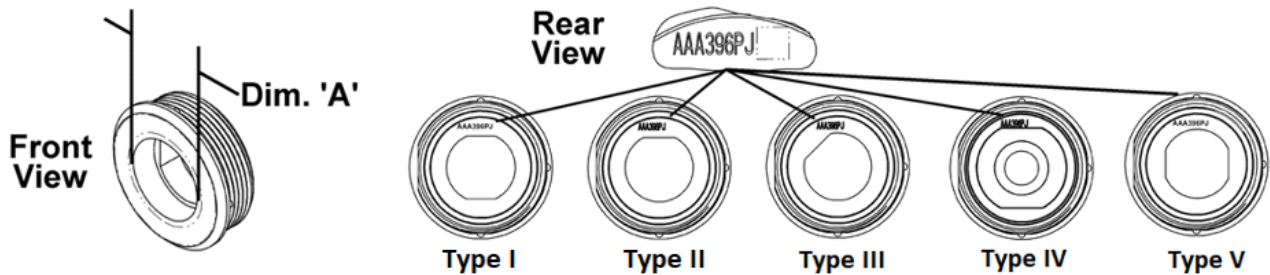


DESCRIPTION: Keyswitch Housings
 (👁️ pp. 12–19 for Housing Markings)

Function	PART No.	Type	Mat'l Color	Text Color	Dim. 'A' (mm)	Mount Location
Fire Recall Remote, SES Phase I, <i>B44-00</i> (French)	AAA396PJ26	I	Red	White	25.50	HOB or Lobby Panel
Fire Recall Remote, SES Phase I (NYC)	AAA396PJ27	I	Red	White	25.50	
Fire Recall Remote, SES Phase I (MA or ME)	AAA396PJ28	I	Red	White	25.50	
Fire Recall Remote, SES Phase I (Chicago)						
Fire Recall Remote, SES Phase I (CT)	AAA396PJ29	II	Red	White	25.50	
Fire Recall Remote, SES Phase I (RI)	AAA396PJ31	I	Red	White	22.30	
Fire Recall Remote, SES Phase I (SC)						
Fire Operation, SES Phase II	AAA396PJ33	I	Red	White	22.30	COP Series 5 Type AAA25000DM only.
Fire Operation, SES Phase II (French)	AAA396PJ35	I	Red	White	22.30	
Fire Operation, SES Phase II (CHICAGO)	AAA396PJ36	I	Red	White	25.50	
Fire Operation, SES Phase II (CT)	AAA396PJ37	II	Red	White	22.30	
Fire Operation, SES Phase II (MA, ME, NH, NJ)	AAA396PJ38	I	Red	White	25.50	
Fire Operation, SES Phase II (NYC)	AAA396PJ39	I	Red	White	25.50	
Fire Operation, SES Phase II (RI)	AAA396PJ40	I	Red	White	22.30	
Fire Operation, SES Phase II (SC)						
Fire Operation, SES Phase II (PA)	AAA396PJ41	I	Red	White	22.30	
Emergency Power, Elevators 1 & 2	AAA396PJ43	I	Black	Red	22.30	HOB or Lobby Panel
Emergency Power, Elevators 1 & 2 (SC)						
Emergency Power, Elevators as Spec.	AAA396PJ44	I	Black	Red	22.30	
Emergency Power, Elevators as Spec. (SC)						
Emergency Power, Elevators 1 & 2 (French)	AAA396PJ45	I	Black	Red	22.30	
Emergency Power, Elevators as Spec. (French)	AAA396PJ46	I	Black	Red	22.30	
Emergency Power, Elevators 1 & 2 (CHICAGO)	AAA396PJ47	I	Black	Red	25.50	
Emergency Power, Elevators as Spec. (MA, ME, NH, NJ)						
Emergency Power, Elevators as Spec. (CHICAGO)	AAA396PJ48	I	Black	Red	25.50	
Emergency Power, Elevators as Spec. (MA or ME or NH or NJ)						

31-AAA396PJ

Keyswitch Housings

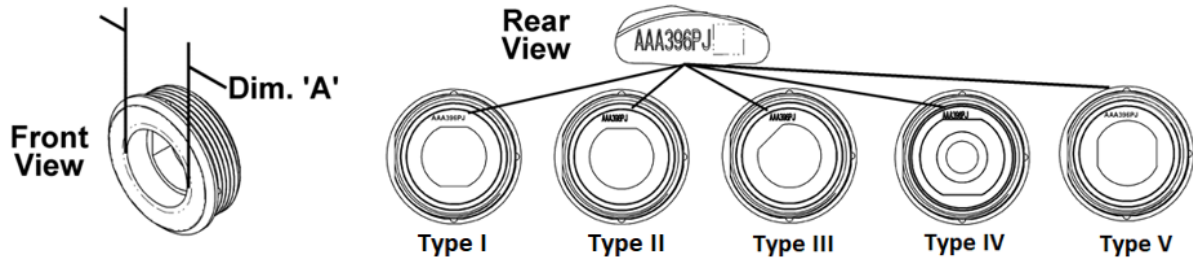


DESCRIPTION: Keyswitch Housings
 ( pp. 12-19 for Housing Markings)

Function	PART No.	Type	Mat'l Color	Text Color	Dim. 'A' (mm)	Mount Location
Emergency Power, Elevators 1 & 2 (CT)	AAA396PJ49	II	Black	Red	22.30	HOB or Lobby Panel
Emergency Power, Elevators as Spec. (CT)	AAA396PJ50	II	Black	Red	22.30	
Emergency Power, Elevators 1 & 2 (RI)	AAA396PJ55	I	Black	Red	22.30	
Emergency Power, Elevators as Spec. (RI)	AAA396PJ56	I	Black	Red	22.30	
Emergency Power (NYC)	AAA396PJ57	I	Black	Red	25.50	Cabinet
2 Speeds Fan (International Marking)	AAA396PJ58	I	Black	White	22.30	COP Series 5 Type AAA25000DM only.
Independent Service	AAA396PJ59	I	Black	White	22.30	
Emergency Hospital	AAA396PJ61	I	Black	White	22.30	
Secure Access	AAA396PJ63	I	Black	White	22.30	
Secure Access (French)	AAA396PJ64	I	Black	White	22.30	
EMT, Emergency Medical (MA)	AAA396PJ65	III	Blue	White	22.30	
EMT, Emergency Medical (MA)	AAA396PJ66	III	Blue	White	22.30	HOB
Express Priority	AAA396PJ69	I	Black	White	22.30	
Express Priority (French)	AAA396PJ70 AAA396PJ131	I	Black	White	22.30	
Group Security	AAA396PJ71	I	Black	White	22.30	HOB or Lobby Panel
Group Security (French)	AAA396PJ72	I	Black	White	22.30	
Car to Lobby	AAA396PJ73	I	Black	White	22.30	Lobby Panel
Car to Lobby (French)	AAA396PJ74	I	Black	White	22.30	
Up Hall Call Registration	AAA396PJ75	I	Black	White	22.30	HOB
Up Hall Call Registration (French)	AAA396PJ76	I	Black	White	22.30	
Down Hall Call Registration	AAA396PJ77	I	Black	White	22.30	
Down Hall Call Registration (French)	AAA396PJ78	I	Black	White	22.30	
Hall Button Cutout	AAA396PJ79	I	Black	White	22.30	
Hall Button Cutout (French)	AAA396PJ80	I	Black	White	22.30	Lobby Panel
Power Keyswitch	AAA396PJ81	I	Black	White	22.30	
Power Keyswitch (French)	AAA396PJ84	I	Black	White	22.30	
Firemen's Phone Jack	AAA396PJ86	IV	Black	White	30.10	HOB or COP
Firemen's Phone Jack (French)	AAA396PJ87	IV	Black	White	30.10	
Firemen's Phone Jack (Bilingual)	AAA396PJ88	IV	Black	White	30.10	
Fire Recall, SES Phase I (NH)	AAA396PJ90	I	Red	White	25.50	HOB

Keyswitch Housings

31-AAA396PJ



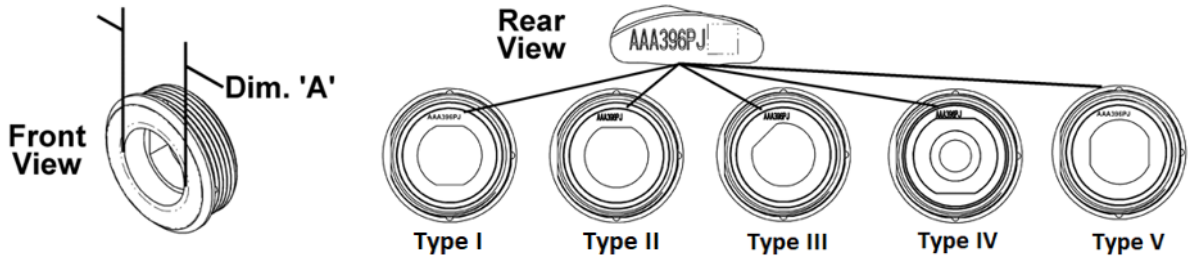
DESCRIPTION: Keyswitch Housings
 ( pp. 12-19 for Housing Markings)

Function	PART No.	Type	Mat'l Color	Text Color	Dim. 'A' (mm)	Mount Location
Fire Recall Remote, SES Phase I (NH)	AAA396PJ91	I	Red	White	25.50	HOB or Lobby Panel
2 Speeds Fan	AAA396PJ94	I	Black	White	22.30	COP Series 5 NOTE: Type AAA25000DM only.
Fire Recall, SES Phase I (SC)	AAA396PJ95	I	Red	White	22.30	
Fire Recall Remote, SES Phase I (SC, RI)	AAA396PJ96	I	Red	White	22.30	
Fire Operation, SES Phase II (SC)	AAA396PJ97	I	Red	White	22.30	
Fire Recall, SES Phase I (RI)	AAA396PJ98	I	Red	White	22.30	
Fire Operation, SES Phase II (RI)	AAA396PJ99	I	Red	White	22.30	
Fire Recall, SES Phase I (CT)	AAA396PJ100	I	Red	White	22.30	
Fire Recall Remote, SES Phase I (CT)	AAA396PJ101	I	Red	White	22.30	
Fire Operation, SES Phase II (CT)	AAA396PJ102 AAA396PJ131	I	Red	White	22.30	HOB
1 Speed Fan	AAA396PJ113	I	Black	White	22.30	COP Series 2 Type AAA25000DR only.
1 Speed Fan (French)	AAA396PJ114	I	Black	White	22.30	
2 Speeds Fan (0, I, II)	AAA396PJ115	I	Black	White	22.30	
2 Speeds Fan (GeN2) (II, 0, I)	AAA396PJ116	I	Black	White	22.30	
2 Speeds Fan (0, I, II) (French)	AAA396PJ117	I	Black	White	22.30	
2 Speeds Fan (GeN2) (II, 0, I) (French)	AAA396PJ118	I	Black	White	22.30	
Floor Lockout	AAA396PJ119 *	I	Black	White	22.30	
Floor Lockout (French)	AAA396PJ120 *	I	Black	White	22.30	
Emergency Medical	AAA396PJ121	III	Blue	White	22.30	
Fire Operation, SES Phase II, A17.1-2000	AAA396PJ122	I	Red	White	22.30	
Fire Operation, SES Phase II, A17.1-2000 (French)	AAA396PJ123	I	Red	White	22.30	
Fire Service, Pre-2000	AAA396PJ124	I	Red	White	22.30	COP Series 2 Type AAA25000DR only.
Fire Service, Pre-2000 (RI)	AAA396PJ125	I	Red	White	22.30	
Fire Operation, A17.1 2000 (RI)	AAA396PJ126	V	Red	White	22.30	
Fire Operation, A17.1 2000 (SC)	AAA396PJ127 AAA396PJ135	V	Red	White	22.30	
Fire Operation, SES Phase II, A17.1-2000 (CT)	AAA396PJ128 AAA396PJ134	II	Red	White	22.30	HOB

* When ordering, indicate floor numbers.

31-AAA396PJ

Keyswitch Housings



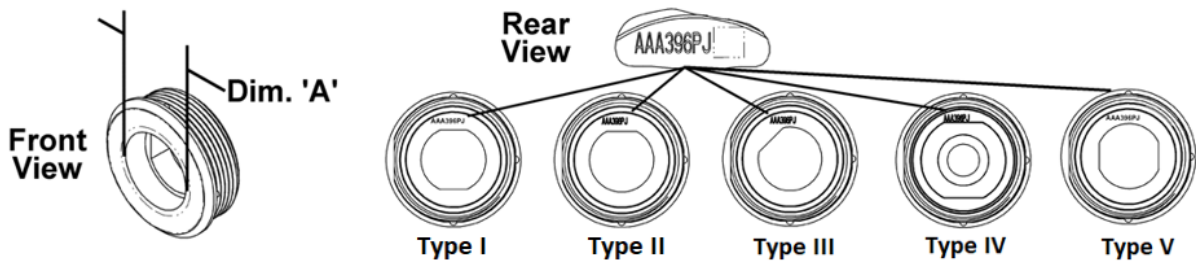
DESCRIPTION: Keyswitch Housings
 (👁️ pp. 12-19 for Housing Markings)

Function	PART No.	Type	Mat'l Color	Text Color	Dim. 'A' (mm)	Mount Location
Fire Operation, SES Phase II, (MA, ME, NH)	AAA396PJ129	I	Red	White	25.50	COP Series 2 Type AAA25000DR only.
Express Priority (French)	AAA396PJ131	I	Black	White	22.30	HOB
Fire Recall, SES Phase I, A17.1-2000 (CT)	AAA396PJ132	II	Red	White	22.30	
Fire Recall Remote, SES Phase I (CT)	AAA396PJ133	II	Red	White	22.30	Lobby Panel
Fire Operation, SES Phase II, A17.1-2000 (CT)	AAA396PJ134	II	Red	White	22.30	COP Series 2 Type AAA25000DR only.
Fire Operation, SES Phase II, A17.1-2000 (SC)	AAA396PJ135	V	Red	White	22.30	
Floor Lockout	AAA396PJ136 *	I	Black	White	22.30	COP Series 5
Fire Operation, SES Phase II, A17.1-2006 (French)	AAA396PJ137	II	Red	White	22.30	COP
Fire Recall, SES Phase I, A17.1-2006 (French)	AAA396PJ138	II	Red	White	22.30	HOB or Lobby Panel
Fire Recall Remote, SES Phase I, A17.1-2006 (French)	AAA396PJ139	II	Red	White	22.30	
Emergency Power, Elevators 1 & 2, A17.1-2006 (French)	AAA396PJ140	II	Black	Red	22.30	
Emergency Power, Elevators as Spec., A17.1-2006	AAA396PJ141	II	Black	Red	22.30	
Emergency Power, Elevators as Spec., A17.1-2006 (French)	AAA396PJ142	II	Black	Red	22.30	
Inspection Operation	AAA396PJ143	I	Black	White	22.30	COP Series 5 Type AAA25000DM only.
Emergency Power, A17.1 – 2006 (see pp.17-18 for Housing marking)	AAA396PJ144-149	III	Black	Red	22.30	Hall, for OSC Use only
Access	AAA396PJ150	I	Black	White	22.30	Hall / Jamb
Fan / Light	AAA396PJ151	I	Black	White	22.30	COP
Access (French)	AAA396PJ152	I	Black	White	22.30	HOB
Emergency Power, Elevators 1 & 2	AAA396PJ154	I	Black	Red	25.50	HOB, GEN 2
Emergency Power, Elevators as Spec.	AAA396PJ155	I	Black	Red	25.50	

* When ordering, indicate floor numbers.

Keyswitch Housings

31-AAA396PJ



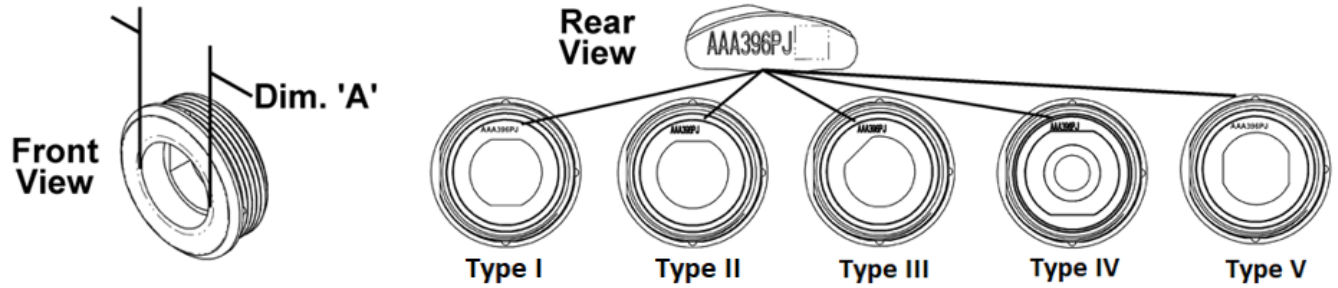
DESCRIPTION: Keyswitch Housings

(👁️ pp. 12-19 for Housing Markings)

Function	PART No.	Type	Mat'l Color	Text Color	Dim. 'A' (mm)	Mount Location
Hoistway Access Detection Reset	AAA396PJ156	I	Black	White	22.30	HOB, GEN 2
Key Call	AAA396PJ157	I	Black	White	22.30	
COP Lockout	AAA396PJ158	I	Black	White	22.30	COP Series 5 Type AAA25000DM COP only, GEN 2.
Emergency Power, Elevators as Spec., A17.1-2006, FEOK1-BFD1-AZFS-UTF-Keys	AAA396PJ159	I	Black	Red	22.30	Hall, for OSC Use only
Emergency Power, A17.1-2006, YALE Locks (see pp.17-18 for Housing marking)	AAA396PJ160-166	I	Black	Red	25.50	
Emergency Light Test	AAA396PJ167	I	Black	White	22.30	COP
Emergency Light Test (French)	AAA396PJ168	I	Black	White	22.30	
Elevator Communication Failure	AAA396PJ169	I	Black	White	22.30	Hall, for OSC Use only
2 Speeds Fan (Spanish)	AAA396PJ170	I	Black	White	22.30	COP, for OSC Use only
Light (Spanish)	AAA396PJ171	I	Black	White	22.30	
Fire Service (Spanish)	AAA396PJ172	I	Red	White	22.30	
Fire Service (Spanish)	AAA396PJ173	I	Red	White	22.30	Hall, for OSC Use only
Independent Service (Spanish)	AAA396PJ174	I	Black	White	22.30	COP, for OSC Use only
Attendant Service (Spanish)	AAA396PJ175	I	Black	White	22.30	
Card Reader	AAA396PJ176	I	Black	White	22.30	
Fan / Light	AAA396PJ177	I	Black	White	22.30	
Park and Shutdown	AAA396PJ178	I	Black	White	22.30	
Voice / Tone	AAA396PJ179	I	Black	White	22.30	
Swing Car	AAA396PJ180	I	Black	White	22.30	
Hoistway Vent	AAA396PJ181	I	Black	White	22.30	
CODE Blue	AAA396PJ182	I	Blue	White	22.30	
Sabbath	AAA396PJ183	I	Black	White	22.30	
3 Speeds Fan	AAA396PJ184	I	Black	White	22.30	
3 Speeds Fan (French)	AAA396PJ185	I	Black	White	22.30	
Card Reader (French)	AAA396PJ186	I	Black	White	22.30	
Attendant Service	AAA396PJ187	I	Black	White	22.30	
Access, A17.1-2013	AAA396PJ188	I	Black	White	22.30	
Access, A17.1-2013 (French)	AAA396PJ189	I	Black	White	22.30	
Terminal By-Pass	AAA396PJ190	I	Black	White	22.30	Hoistway

31-AAA396PJ

Keyswitch Housings

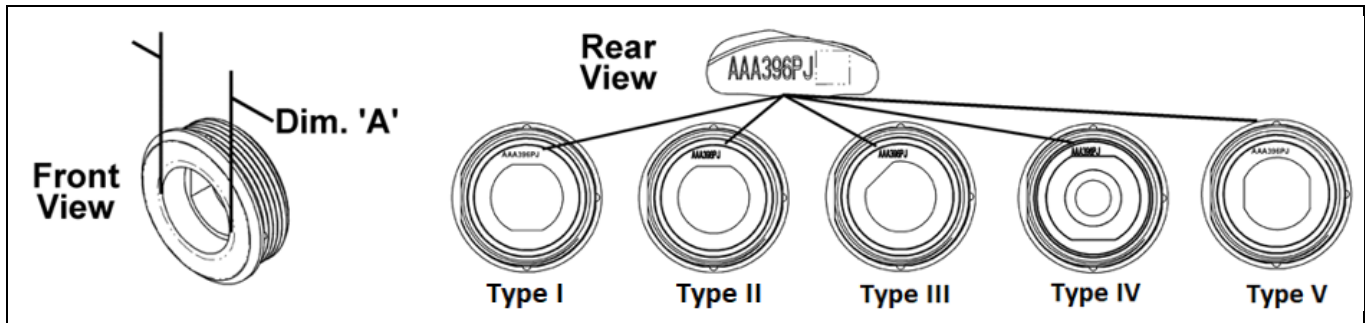


DESCRIPTION: Keyswitch Housings
 ( pp. 12-19 for Housing Markings)

Function	PART No.	Type	Mat'l Color	Text Color	Dim. 'A' (mm)	Mount Location
Emergency Power, Elevators 1 & 2	AAA396PJ193	I	Black	Red	25.50	Hall
Emergency Power, Elevators As Spec.	AAA396PJ194	I	Black	Red	25.50	
Fire Recall, SES Phase I, Pre 2000, OEO Only	AAA396PJ199	I	Yellow	Black	22.30	HOB
Fire Recall, SES Phase I, OEO Only (SC)						
Fire Recall, SES Phase I, OEO only, B44-00 (French)	AAA396PJ200	I	Yellow	Black	22.30	
Fire Recall, SES Phase I, OEO Only (NYC)	AAA396PJ201	I	Yellow	Black	22.30	
Fire Recall, SES Phase I, OEO Only (CT)	AAA396PJ202	II	Yellow	Black	22.30	
Fire Recall, SES Phase I, OEO Only (NH)	AAA396PJ203	I	Yellow	Black	22.30	
Fire Recall, SES Phase I, OEO Only (SC)	AAA396PJ204	I	Yellow	Black	22.30	Hall
Fire Recall, SES Phase I, OEO Only (RI)	AAA396PJ205	I	Yellow	Black	22.30	
Fire Recall, SES Phase I, OEO only, A17.1-2006 (French)	AAA396PJ207	II	Yellow	Black	22.30	
Car XX, Fire Recall, SES Phase I, A17.1-2000, OEO Only	AAA396PJ208	I	Yellow	Black	22.30	HOB
Car XX, Fire Recall, SES Phase I, Pre 2000, OEO Only	AAA396PJ209	I	Yellow	Black	25.50	
Car XX, Fire Recall, SES Phase I, OEO Only (SC)						
Car XX, Fire Recall, SES Phase I, OEO Only (NYC)	AAA396PJ210	I	Yellow	Black	22.30	
Earthquake Hoistway Scan Switch	AAA396PJ211	I	Red	White	22.30	COP
Earthquake Hoistway Scan Switch (CA)	AAA396PJ212	I	Black	White	22.30	
Car XX, Fire Recall, SES Phase I, OEO Only (SC)	AAA396PJ213	I	Yellow	Black	22.30	Hall
Car XX, Fire Recall, SES Phase I, OEO Only (RI)	AAA396PJ214	II	Yellow	Black	22.30	Hall
Bank, Fire Recall, SES Phase I, OEO Only (NYC)	AAA396PJ215	I	Red	White	25.50	HOB
Group, Fire Recall, SES Phase I, Pre 2000, OEO Only	AAA396PJ216	I	Red	White	22.30	
Group, Fire Recall, SES Phase I, OEO Only (SC)						

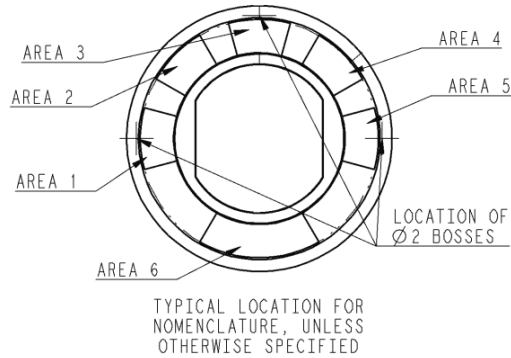
Keyswitch Housings


31-AAA396PJ

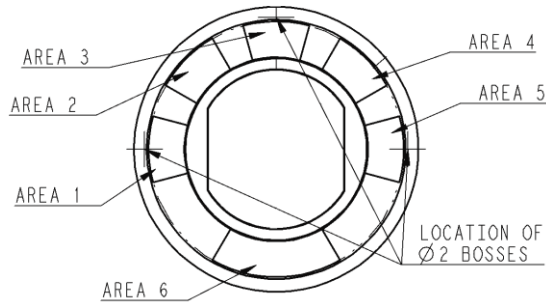


DESCRIPTION: Keyswitch Housings
 ( pp. 12-19 for Housing Markings)

Function	PART No.	Type	Mat'l Color	Text Color	Dim. 'A' (mm)	Mount Location
Group, Fire Recall, SES Phase I, OEO Only (CT)	AAA396PJ217	II	Red	White	22.30	HOB
Group, Fire Recall, SES Phase I, A17.1-2000, OEO Only	AAA396PJ218	I	Red	White	22.30	HOB or Lobby Panel
Group, Fire Recall, SES Phase I, OEO Only (CT)	AAA396PJ219	II	Red	White	22.30	HOB
Group, Fire Recall, SES Phase I, OEO Only (NH)	AAA396PJ220	I	Red	White	25.50	
Group, Fire Recall, SES Phase I, OEO Only (RI)	AAA396PJ221	I	Red	White	22.30	COP
Group, Fire Recall, SES Phase I, OEO Only (SC)	AAA396PJ222	I	Red	White	22.30	
Group, Fire Recall Remote, SES Phase I A17.1-2000, OEO Only	AAA396PJ223	I	Red	White	22.30	HOB or Lobby Panel
Group, Fire Recall Remote, SES Phase I, OEO Only (CHICAGO)	AAA396PJ225	I	Red	White	25.50	Hall
Group, Fire Recall Remote, SES Phase I, OEO Only (MA, ME)						
Group, Fire Recall Remote, SES Phase I, OEO Only (CT)	AAA396PJ226	II	Red	White	22.30	HOB or Lobby Panel
Group, Fire Recall Remote, SES Phase I, OEO Only (SC)	AAA396PJ227	I	Red	White	22.30	
Group, Fire Recall Remote, SES Phase I, OEO Only (RI)						
Car XX, Fire Recall Switch, SES Phase I, OEO Only (NH)	AAA396PJ228	II	Yellow	Black	22.30	Hall
Group, Fire Recall Remote, SES Phase I, OEO Only (CT)	AAA396PJ229	II	Red	White	22.30	COP
Bank, Fire Recall Remote Switch, SES Phase I, OEO Only (NYC)	AAA396PJ230	I	Red	White	25.50	Hall
Car XX, Fire Recall Switch, SES Phase I, OEO Only (CT)	AAA396PJ231	II	Yellow	Black	22.30	HOB
Elevator Communications Failure	AAA396PJ233	I	Black	White	22.30	HOB
Elevator Communications Failure (French)	AAA396PJ234	I	Black	White	22.30	HOB



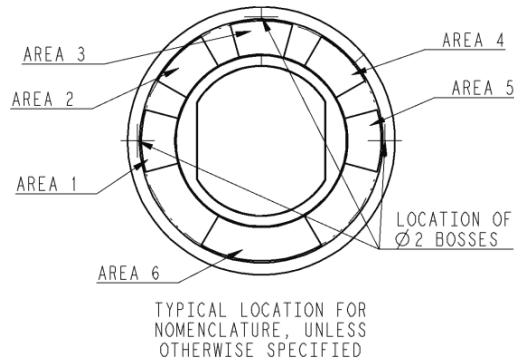
PART No	DESCRIPTION: Housing Markings ( pp. 4-11 for Keyswitch Housings)					
	Area 1	Area 2	Area 3	Area 4	Area 5	Area 6
AAA396PJ11	---	---	off	on	---	---
AAA396PJ12	---	---	arrêt	marche	---	---
AAA396PJ13	---	---	stop	run	---	---
AAA396PJ15	---	---	0	1	---	---
AAA396PJ16	---	reset	off	on	---	FIRE RECALL
AAA396PJ17	---	bypass	off	on	---	FIRE SERVICE
AAA396PJ18	---	réarmement	arrêt	marche	---	RAPPEL DE SECOURS
AAA396PJ19	---	---	norm	fire serv	---	---
AAA396PJ20	---	bypass	off	on	---	FIRE SERVICE
AAA396PJ21	---	bypass	off	on	---	FIRE SERVICE
AAA396PJ23	bypass	---	off	---	on	FIRE SERVICE
AAA396PJ24	---	---	off	on	---	FIRE RECALL
AAA396PJ25	---	---	off	on	---	FIRE SERVICE
AAA396PJ26	---	---	arrêt	marche	---	RAPPEL DE SECOURS
AAA396PJ27	---	norm	---	fire serv	---	---
AAA396PJ28	---	---	off	on	---	FIRE SERVICE
AAA396PJ29	---	---	off	on	---	FIRE SERVICE
AAA396PJ31	---	---	off	---	on	FIRE SERVICE
AAA396PJ33	---	off	hold	on	---	---
AAA396PJ35	---	arrêt	attente	marche	---	---
AAA396PJ36	---	---	off	on	---	---
AAA396PJ37	---	off	hold	on	---	---
AAA396PJ38	---	off	hold	on	---	---
AAA396PJ39	---	norm	hold	fireman service	---	---
AAA396PJ40	off	---	---	---	on	---
AAA396PJ41	---	---	off	on	---	---



TYPICAL LOCATION FOR
NOMENCLATURE, UNLESS
OTHERWISE SPECIFIED

PART No	DESCRIPTION: Housing Markings (👁 pp. 4-11 for Keyswitch Housings)					
	Area 1	Area 2	Area 3	Area 4	Area 5	Area 6
AAA396PJ43	---	1	auto	2	---	ELEVATOR EMERGENCY POWER
AAA396PJ44	---	see note	auto	see note	---	ELEVATOR EMERGENCY POWER
AAA396PJ45	---	1	auto	2	---	ALIMENTATION DE SEC OURS
AAA396PJ46	---	see note	auto	see note	---	ALIMENTATION DE SECOURS
AAA396PJ47	---	1	auto	2	---	ELEVATOR EMERGENCY POWER
AAA396PJ48	---	see note	auto	see note	---	ELEVATOR EMERGENCY POWER
AAA396PJ49	---	1	auto	2	---	ELEVATOR EMERGENCY POWER
AAA396PJ50	---	see note	auto	see note	---	ELEVATOR EMERGENCY POWER
AAA396PJ55	1	---	auto	---	2	---
AAA396PJ56	see note	---	auto	---	see note	---
AAA396PJ57	---	auto	manual	---	---	---
AAA396PJ58	---	0	I	II	---	---
AAA396PJ59	---	---	group	ind	---	---
AAA396PJ61	---	---	off	on	---	---
AAA396PJ63	---	clear	0	secure	---	---
AAA396PJ64	---	dégagement	0	protection	---	---
AAA396PJ65	---	---	off	---	on	---
AAA396PJ66	---	---	off	---	on	MEDICAL EMERGENCY
AAA396PJ69	---	---	off	on	---	PRIORITY SERV

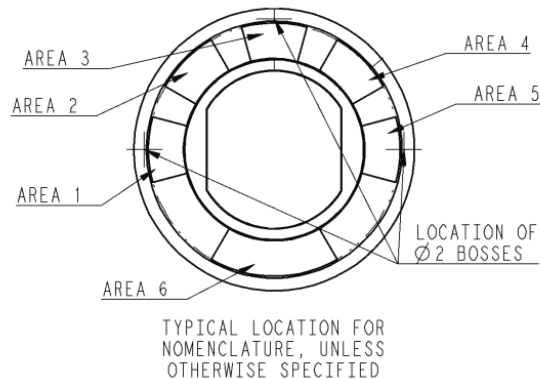
NOTE: Specified per contract.



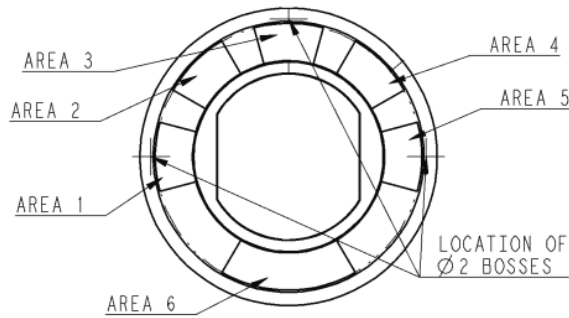
PART No	DESCRIPTION: Housing Markings ( pp. 4-11 for Keyswitch Housings)					
	Area 1	Area 2	Area 3	Area 4	Area 5	Area 6
AAA396PJ70	---	---	off	on	---	SERV PRIORITAIRE
AAA396PJ71	---	---	off	---	on	GROUP SECURITY
AAA396PJ72	---	---	arrêt	---	marche	SÉCURITÉ DE GROUPE
AAA396PJ73	---	cls	drs	open	---	CAR TO LOBBY
AAA396PJ74	---	fermer	portes	ouvrir	---	CABINE AU HALL
AAA396PJ75	---	---	---	up	---	---
AAA396PJ76	---	---	---	montée	---	---
AAA396PJ77	---	---	---	down	---	---
AAA396PJ78	---	---	---	descente	---	---
AAA396PJ79	---	---	off	on	---	FLOOR BUTTON CUTOUT
AAA396PJ80	---	---	arrêt	marche	---	DÉSACTIVER BUTTON
AAA396PJ81	---	---	off	---	on	POWER
AAA396PJ84	---	---	arrêt	marche	---	ALIMENTATION
AAA396PJ86	---	---	FIREMENS	---	---	PHONE JACK
AAA396PJ87	---	---	COMMUNICATION	---	---	POMPIERS
AAA396PJ88	---	---	COMMUNICATION POMPIERS	---	---	FIREMENS PHONE JACK
AAA396PJ90	---	reset	off	on	---	FIRE RECALL
AAA396PJ91	---	---	off	on	---	FIRE RECALL
AAA396PJ94	---	II	0	I	---	---
AAA396PJ95	---	reset	off	---	on	FIRE RECALL
AAA396PJ96	---	---	off	---	on	FIRE RECALL
AAA396PJ97	off	---	hold	on	---	---
AAA396PJ98	reset	---	off	---	on	FIRE RECALL
AAA396PJ99	off	---	hold	---	on	---
AAA396PJ100	reset	---	off	---	on	FIRE RECALL

Housing Marking Table


31-AAA396PJ



PART No	DESCRIPTION: Housing Markings ( pp. 4-11 for Keyswitch Housings)					
	Area 1	Area 2	Area 3	Area 4	Area 5	Area 6
AAA396PJ101	---	---	off	---	on	FIRE RECALL
AAA396PJ102	off	---	hold	---	on	---
AAA396PJ103	---	---	off	enable	---	ACCESS
AAA396PJ104	---	---	arrêt	marche	---	ACCÈS
AAA396PJ105	---	---	group	ind	---	INDEPENDENT SERVICE
AAA396PJ106	---	---	arrêt	marche	---	SERVICE INDEPENDENT
AAA396PJ107	---	clear	0	secure	---	SECURE ACCESS
AAA396PJ108	---	dégagement	0	protection	---	ACCÈS SECURISE
AAA396PJ109	---	---	off	on	---	PRIORITY SERVICE
AAA396PJ110	---	---	arrêt	marche	---	SERVICE PRIORITAIRE
AAA396PJ111	---	---	0	I	---	LIGHT
AAA396PJ112	---	---	0	I	---	ÉCLAIRAGE
AAA396PJ113	---	---	0	I	---	FAN
AAA396PJ114	---	---	0	I	---	VENTILATEUR
AAA396PJ115	---	0	I	II	---	FAN
AAA396PJ116	---	II	0	I	---	FAN
AAA396PJ117	---	0	I	II	---	VENTILATEUR
AAA396PJ118	---	II	0	I	---	VENTILATEUR
AAA396PJ119	---	---	off	on	---	FLOOR LOCKOUT NO X
AAA396PJ120	---	---	arrêt	marche	---	ANNULATION D' ENVOI NO X
AAA396PJ121	---	---	off	---	on	MEDICAL EMERGENCY
AAA396PJ122	---	off	hold	on	---	FIRE OPERATION
AAA396PJ123	---	arrêt	attente	marche	---	INCENDIE
AAA396PJ124	---	off	hold	on	---	FIRE SERVICE
AAA396PJ125	off	---	hold	---	on	FIRE SERVICE



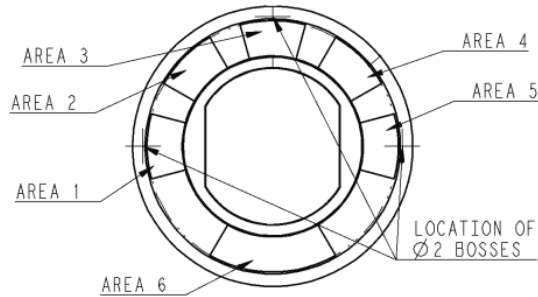
TYPICAL LOCATION FOR NOMENCLATURE, UNLESS OTHERWISE SPECIFIED

PART No	DESCRIPTION: Housing Markings ( pp. 4-11 for Keyswitch Housings)					
	Area 1	Area 2	Area 3	Area 4	Area 5	Area 6
AAA396PJ126	off	---	hold	---	on	FIRE OPERATION
AAA396PJ127	off	---	hold	on		FIRE OPERATION
AAA396PJ128	off	---	hold	---	on	FIRE OPERATION
AAA396PJ129	---	off	hold	on	---	FIRE OPERATION
AAA396PJ131	---	---	arrêt	marche	---	SERVICE PRIORITAIRE
AAA396PJ132	---	reset	off	on	---	FIRE RECALL
AAA396PJ133	---	---	off	on	---	FIRE RECALL
AAA396PJ134	---	off	hold	on	---	FIRE OPERATION
AAA396PJ135	off	---	hold	on	---	FIRE OPERATION
AAA396PJ136	---	---	off	---	on	---
AAA396PJ137	---	arrêt	attente	marche	---	INCENDIE
AAA396PJ138	---	rèarmement	arrêt	marche	---	RAPPEL DE SECOURS
AAA396PJ139	---	---	arrêt	marche	---	RAPPEL DE SECOURS
AAA396PJ140	---	1	auto	2	---	ALIMENTATION DE SECOURS
AAA396PJ141	---	(as specified)	auto	(as specified)	---	ELEVATOR EMERGENCY POWER
AAA396PJ142	---	(as specified)	auto	(as specified)	---	ALIMENTATION DE SECOURS
AAA396PJ143	---	---	Off	Enable	---	INSPECTION
AAA396PJ144	---	---	Auto	1	2	---
AAA396PJ145	Auto	1	2	3	---	---
AAA396PJ146	Auto	1	2	3	4	---
AAA396PJ147	Auto	1	2	3	4	5
AAA396PJ148	Auto	1	2	3	4	5, 6 See NOTE
AAA396PJ149	Auto	1	2	3	4	5, 6, and 7 See NOTE
AAA396PJ150	---	Dn	Off	Up	---	Access


NOTE: For area 2 and area 4 are contract specific. Multiple digit characters within area 6 are located equally spaced clockwise from digit character in area 5.

Housing Marking Table

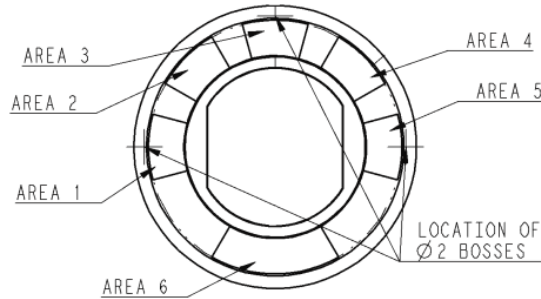
31-AAA396PJ



TYPICAL LOCATION FOR
NOMENCLATURE, UNLESS
OTHERWISE SPECIFIED

PART No	DESCRIPTION: Housing Markings ( pp. 4-11 for Keyswitch Housings)					
	Area 1	Area 2	Area 3	Area 4	Area 5	Area 6
AAA396PJ151	Light	---	Off	Fan / Light		---
AAA396PJ152	---	descente	arrêt	Montée	---	Accès
AAA396PJ154	Replaced by AAA396PJ193					Elevator Emergency Power
AAA396PJ155	Replaced by AAA396PJ194					Elevator Emergency Power
AAA396PJ156	---	---	---	Reset	---	HAD RESET
AAA396PJ157	---	---	---	Call	---	---
AAA396PJ158	---	---	off	on	---	COP LOCKOUT
AAA396PJ159	---	---	auto	As Spec.	---	---
AAA396PJ160	---	---	auto	As Spec.	---	---
AAA396PJ161	---	---	auto	1	2	---
AAA396PJ162	---	---	auto	1	2	3
AAA396PJ163	---	---	auto	1	2	See NOTE
AAA396PJ164	---	---	auto	1	2	See NOTE
AAA396PJ165	6	---	auto	1	2	See NOTE
AAA396PJ166	6	7	auto	1	2	See NOTE
AAA396PJ167	---	---	off	on	---	Emergency Light Test
AAA396PJ168	---	---	arrêt	marche	---	Essai Lumière D'Urgence
AAA396PJ169	---	---	off	reset	---	ALARM RESET
AAA396PJ170	---	II	0	I	---	VENT
AAA396PJ171	---	---	OFF	ON	---	LUZ
AAA396PJ172	---	OFF	HOLD	ON	---	SERV BOMBEROS
AAA396PJ173	---	BYPASS	OFF	ON	---	SERV BOMBEROS
AAA396PJ174	---	---	GRUPO	INDEP	---	SERV INDEP
AAA396PJ175	---	---	OFF	ON	---	ASCENSORISTA
AAA396PJ176	---	---	OFF	ON	---	CARD READER
AAA396PJ177	---	LIGHT	OFF	FAN / LIGHT	---	---

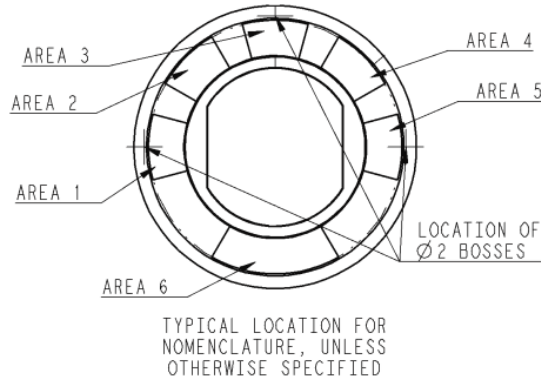
NOTE: For area 2 and area 4 are contract specific. Multiple digit characters within area 6 are located equally spaced clockwise from digit character in area 5.




TYPICAL LOCATION FOR NOMENCLATURE, UNLESS OTHERWISE SPECIFIED

PART No	DESCRIPTION: Housing Markings ( pp. 4-11 for Keyswitch Housings)						
	Area 1	Area 2	Area 3	Area 4	Area 5	Area 6	
AAA396PJ178	---	---	OFF	ON	---	PARK AND SHUTDOWN	
AAA396PJ179	---	---	OFF	ON	---	VOICE / TONE	
AAA396PJ180	---	---	OFF	ON	---	SWING CAR	
AAA396PJ181	---	---	OFF	ON	---	HOISTWAY VENT	
AAA396PJ182	---	---	OFF	ON	---	CODE BLUE	
AAA396PJ183	---	---	OFF	ON	---	SABBATH	
AAA396PJ184	---	---	OFF	1	2	3	FAN
AAA396PJ185	---	---	0	I	II	III	VENTILATEUR
AAA396PJ186	---	---	arrêt	marche	---	Lecture de carte'	
AAA396PJ187	---	---	OFF	ON	---	ATTEND SERV	
AAA396PJ188	---	UP	OFF	DOWN	---	ACCESS	
AAA396PJ189	---	montée	arrêt	descente	---	ACCÈS	
AAA396PJ190	---	---	---	---	---	TERMINAL BY-PASS	
AAA396PJ193	---	---	---	---	---	ELEVATOR EMERGENCY POWER	
AAA396PJ194	---	---	---	---	---	ELEVATOR EMERGENCY POWER	
AAA396PJ199	---	RESET	OFF	ON	---	CAR FIRE RECALL	
AAA396PJ200	---	réarmement	arrêt	marche	---	RAPPEL DE SECOURS	
AAA396PJ201	---	---	norm	fire serv	---	CAR FIRE RECALL	
AAA396PJ202	---	reset	off	on	---	CAR FIRE RECALL	
AAA396PJ203	---	reset	off	on	---	CAR FIRE RECALL	
AAA396PJ204	---	reset	off	---	on	CAR FIRE RECALL	
AAA396PJ205	reset	---	off	---	on	CAR FIRE RECALL	
AAA396PJ207	---	réarmement	arrêt	marche	---	RAPPEL DE SECOURS	
AAA396PJ208*	---	reset	off	on	---	CAR XX FIRE RECALL	
AAA396PJ209*	---	reset	off	on	---	CAR XX FIRE RECALL	
AAA396PJ210*	---	---	norm	fire serv	---	CAR XX FIRE RECALL	
AAA396PJ213*	---	reset	off	---	on	CAR XX FIRE RECALL	

* For p/ns AAA396PJ208–210 and 213 area 6 is contract specific.



PART No	DESCRIPTION: Housing Markings ( pp. 4-11 for Keyswitch Housings)					
	Area 1	Area 2	Area 3	Area 4	Area 5	Area 6
AAA396PJ214*	reset	---	off	---	on	CAR XX FIRE RECALL
AAA396PJ216	---	bypass	off	on	---	GROUP FIRE RECALL
AAA396PJ217	---	reset	off	on	---	GROUP FIRE RECALL
AAA396PJ218	---	reset	off	on	---	GROUP FIRE RECALL
AAA396PJ219	---	---	off	on	---	GROUP FIRE RECALL
AAA396PJ220	---	reset	off	on	---	GROUP FIRE RECALL
AAA396PJ221	reset	---	off	---	on	GROUP FIRE RECALL
AAA396PJ222	---	reset	off	---	on	GROUP FIRE RECALL
AAA396PJ223	---	---	off	on	---	GROUP FIRE RECALL
AAA396PJ225	---	---	off	on	---	GROUP FIRE RECALL
AAA396PJ226	---	---	off	on	---	GROUP FIRE RECALL
AAA396PJ227	---	---	off	---	---	GROUP FIRE RECALL
AAA396PJ228*	---	reset	off	on	---	CAR XX FIRE RECALL
AAA396PJ229	---	---	off	---	on	GROUP FIRE RECALL
AAA396PJ230*	---	norm	---	fire serv	---	BANK FIRE RECALL
AAA396PJ231	---	reset	off	on	---	CAR XX FIRE RECALL
AAA396PJ233	---	---	---	---	---	SILENCE ALARM
AAA396PJ234	---	---	---	---	---	ARRETER ALARME

* For p/ns AAA396PJ214, 228, and 231 area 6 is contract specific.