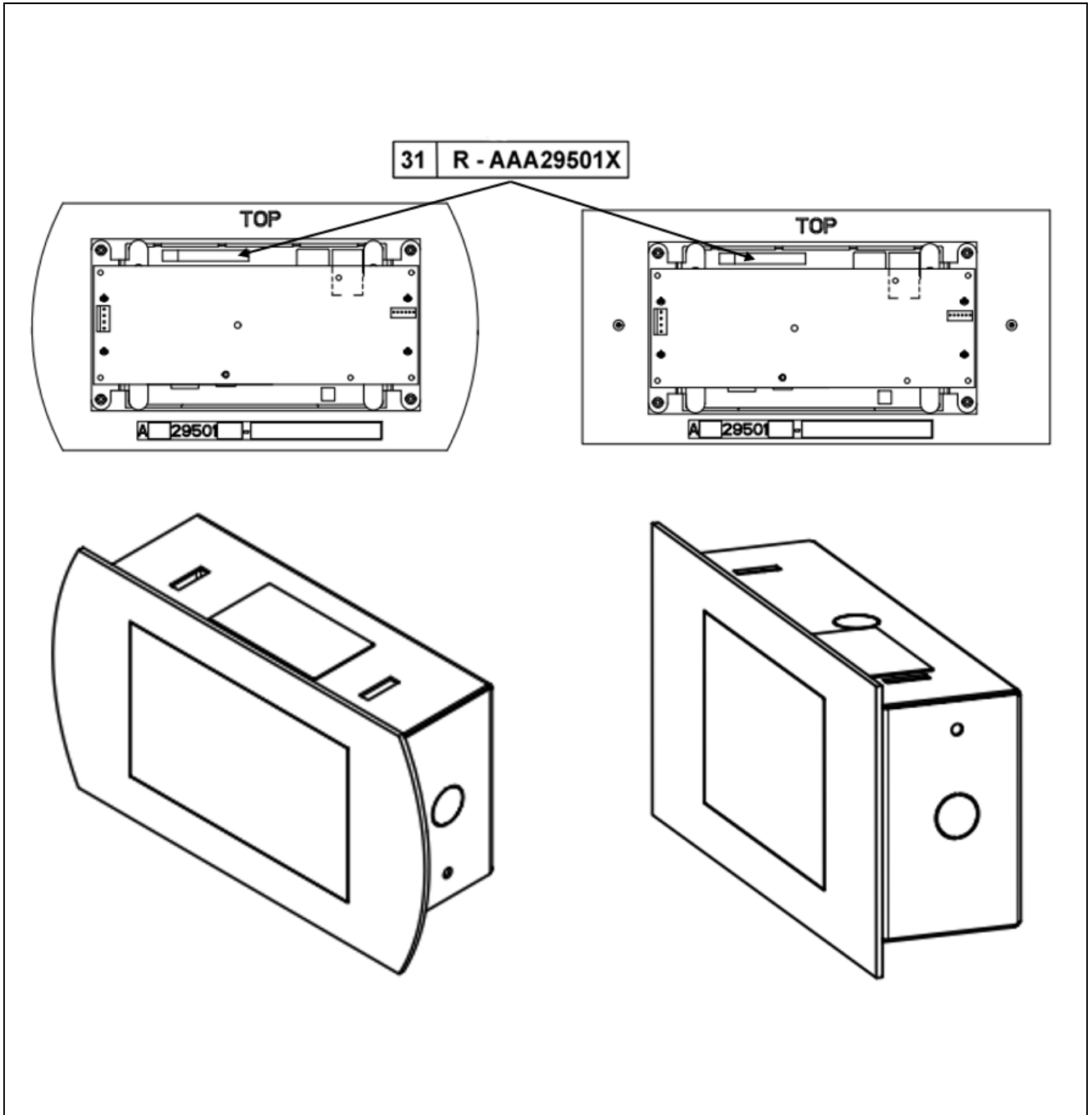


Human Interface Device 7.0 LCD Display

Spare Parts Leaflet

31-AAA29501X

October 23, 2024 / Page 1 of 6



OTIS

This document does not contain any technical information subject to the EAR.

SERVICE ENGINEERING
Otis Elevator Company
Bloomfield, Connecticut USA

Unpublished Work—© Otis Elevator Co.; 2024

Leaflet Description

This SP provides spare parts information for human interface device assembly with 7.0 in. LCD display.

Leaflet Revisions

Date Revised	Subject Matter Expert	Reason for Revision
July 6, 2016	Joseph Zych	New SPL
December 20, 2023	Vadzim Fedarenka	Updated illustrations on p. 1 & 5. Edited parts ID instructions. FS4 finish added for AAA29501X. Removed MF4/FS4. AAA639EC1 superseded to AAA639EC4. AAA639ED1 superseded to AAA639ED2.
October 23, 2024	Vadzim Fedarenka	Added ref. 7 & 8, updated description for ref. no. 5 (p. 5); added ref. 4 & 5 (p. 6); images updated on p. 4-6.

Related Drawings

Drawing No.	Title	Drawing No.	Title
AAA29501X	Human Interface Device Assembly, 7.0 LCD Display		

Related Documents

Document ID	Title
TIP 4.9-1	<i>LCD Fixture User Guide</i>

Subject Matter Expert

Name	Department
Vadzim Fedarenka & Aayush Desai	OSC Service Engineering

About Spare Parts Leaflets...

This document lists the lowest replaceable units (LRUs) for the standard version of the product. The LRUs are chosen by a team of Otis associates representing engineering and manufacturing.

While goal of this document is to make parts identification as easy as possible, the document cannot be all-inclusive. Elevator and escalator contracts classified as “special” or “custom” are not addressed here. For such contracts, please refer to specified information, the contract folder, TIPs, Field Education Articles, Construction Letters, etc. for further information.

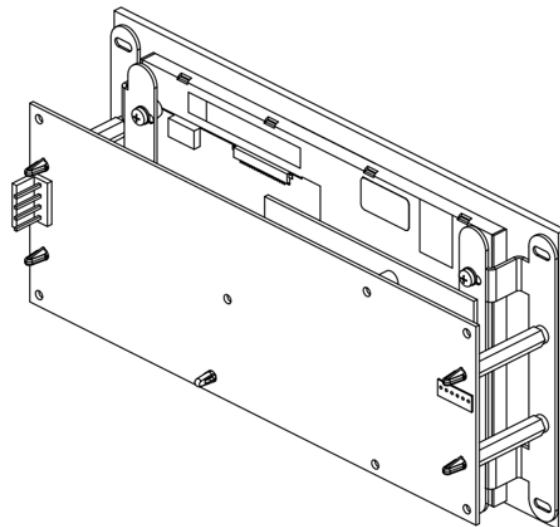
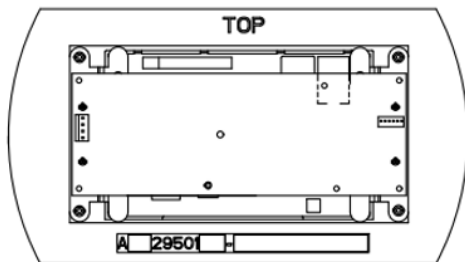
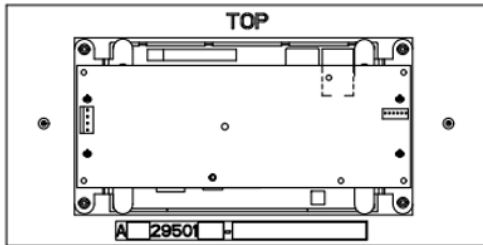
If you have any suggestions about this document, please contact the subject matter expert listed on this page.

Part Identification Instructions

31-AAA29501X

This 7 inch LCD is used as either a Position Indicator / Direction Indicator (PI/DI) or a Compass® Annunciator. As shown below, all assemblies are marked with a part number that indicates the type of display (PI/DI or Annunciator). Standard PI/DI assemblies do not require a contract/machine number when ordering replacements.

Customized (special order) PI/DIs will have a suffix which indicates specific programming. All custom annunciator part numbers require a suffix which identifies the building, Compass group controller, or the specific car controller. The entire part number must be given to customer service when ordering replacements.

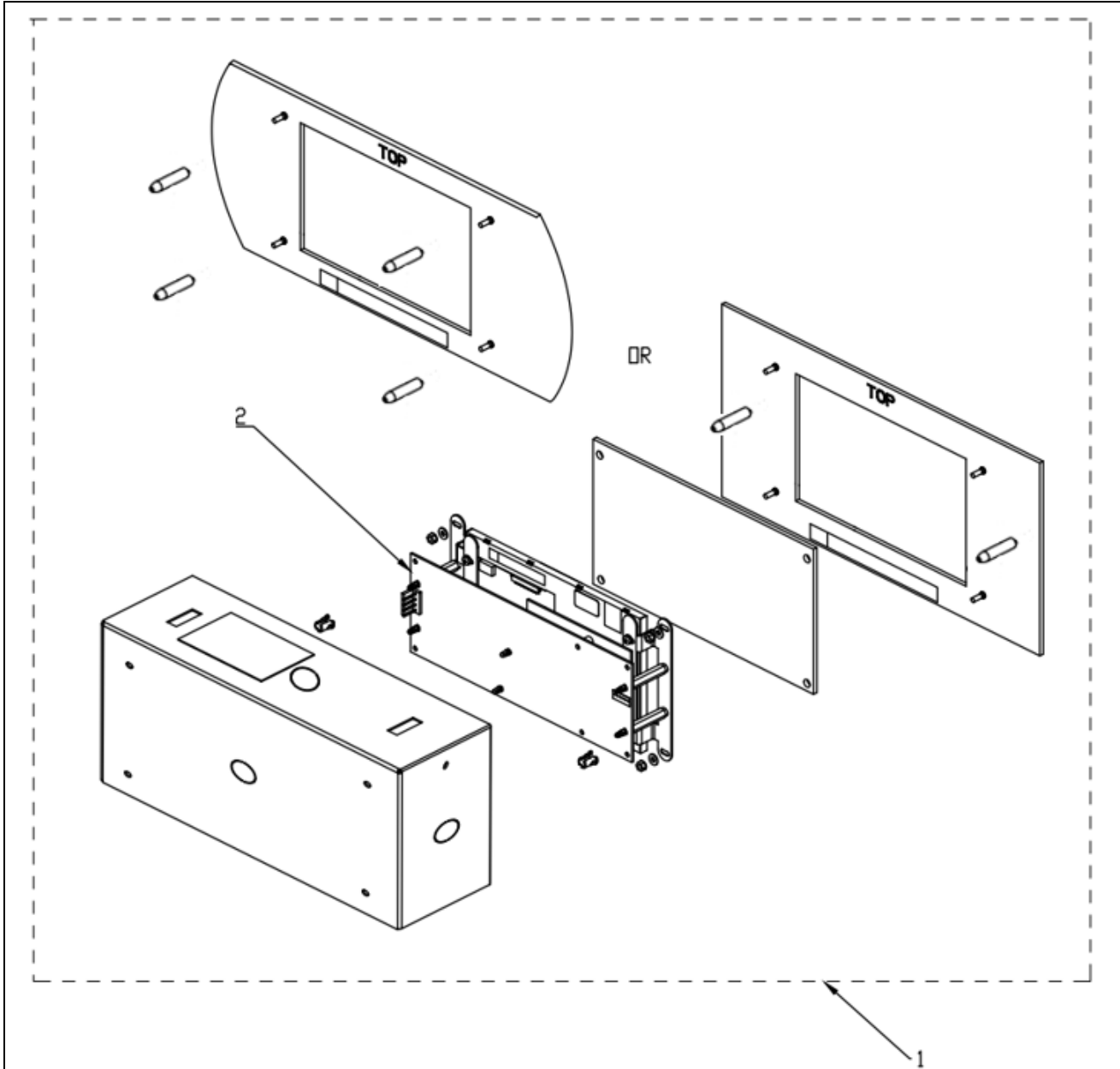


When ordering, please specify the complete part number as shown here.

PART No. Base	Arrangement No.	Faceplate Finish (FF)	Contract/ Machine No. (CN)
AAA29501X	1 2 998 999	SS4 = Brushed Stainless Steel SS8 = Mirror Stainless Steel BR7 = Brushed Bronze BR8 = Mirror Bronze FS4 = Brushed Ferritic Steel, MILL 4 MF4/FS4 = Commercial Brushed Stainless Steel BT = Gold Satin	(as marked on label)
	3 997	(not applicable; no faceplate)	

Complete Part Number Examples:

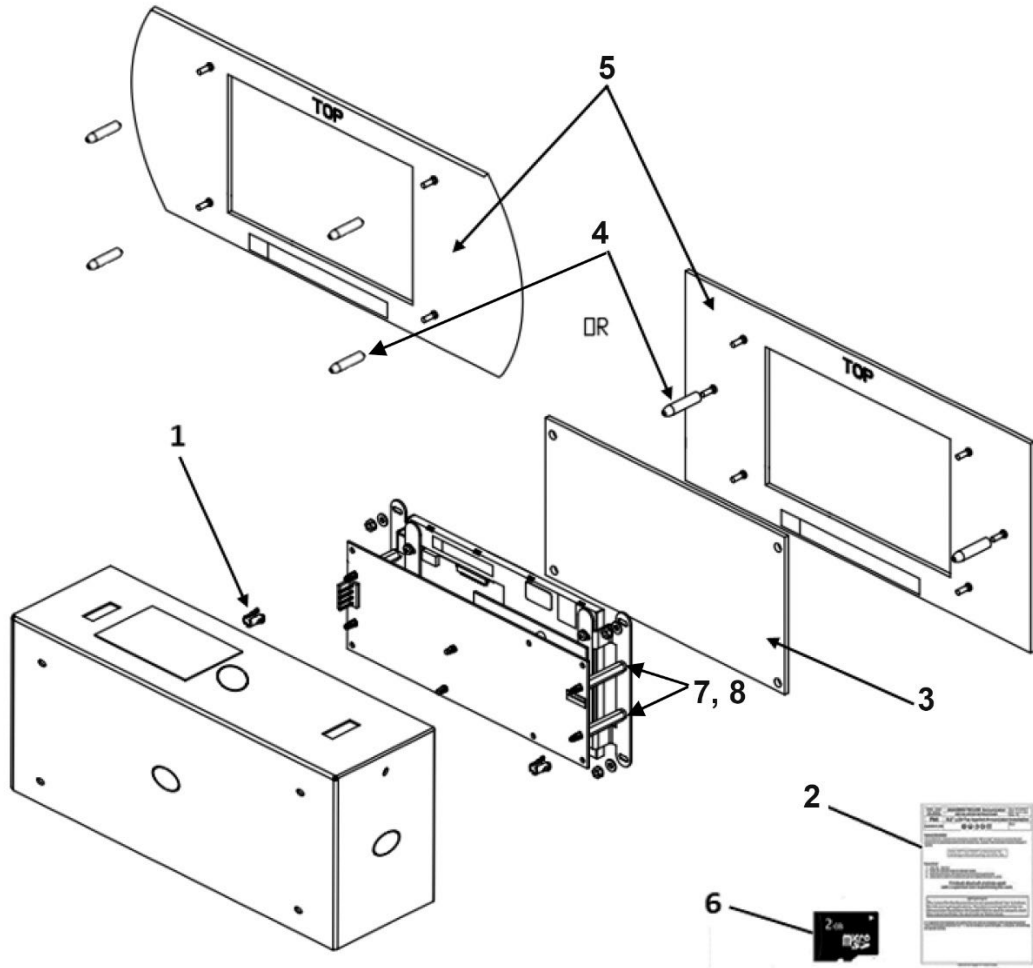
- AAA29501X1-SS4
- AAA29501X3
- AAA29501X2-BT-123456
- AAA29501X999-BR7-123456
- AAA29501X997-123456



AAA29501X		
Ref.	PART No.	DESCRIPTION
1	AAA29501X1-***	Hall PI/DI, Rectangular, Faceplate
	AAA29501X2-***	Hall PI/DI, Curved, Faceplate
	AAA29501X998-***	Hall, Annunciator, Rectangular, Faceplate
	AAA29501X999-***	Hall, Annunciator, Curved, Faceplate
2	AAA29501X3	COP PI/DI
	AAA29501X997	COP Annunciator

NOTE 1: See p. 3 for part identification instructions, material finishes, and specifying complete part numbers.

NOTE 2: For non-service parts (assemblies), order through Mod or Open Order.



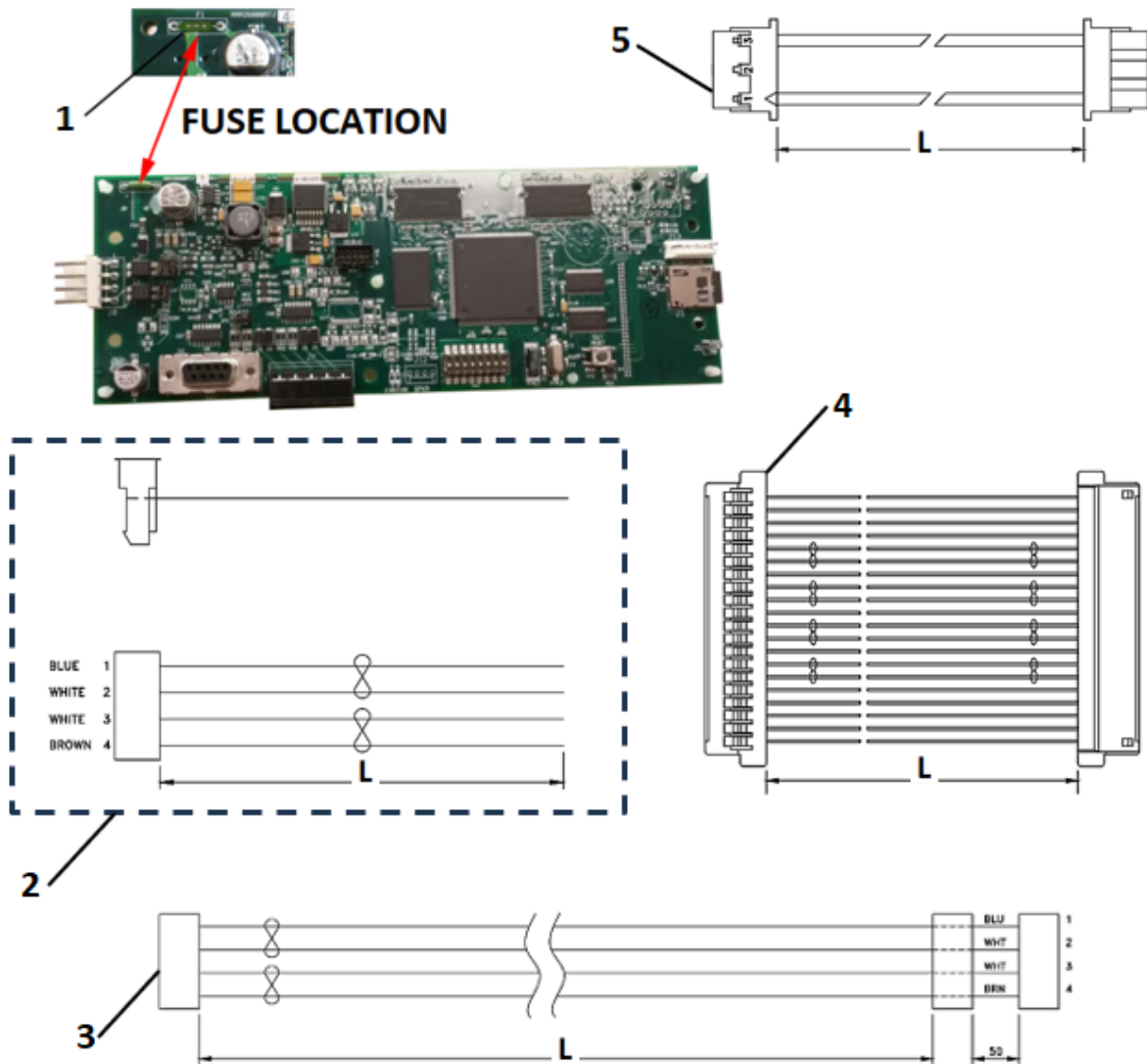
AAA29501X		
REF. No.	PART No.	DESCRIPTION
1	AAA339QH1	Clip, Tubular
*	AAA174AHY7	Conductor, Ground (box to PE)
*	AAA175ABY8	Conductor, Ground (faceplate to box)
2	AAA29501X_FMI	Field Micro Instructions
*	AAA00026AAM003	Hardware, Grounding
3	AAA443FT9	Lens, 7 in. LCD (with gasket)
4	AAA81QP3	Pin
5	AAA147SY1-***	Plate, Face, Rectangular (with AAA81QP3 Pins), see NOTE
	AAA147SY22-***	Plate, Face, Curved (AAA81QP3 Pins not included), See NOTE
6	AAA639EC1 AAA639EC4	Secure Digital Memory Card (microSD). Programmed w/ sample backgrounds, fonts, and default images
	AAA616RG3	Secure Digital Memory Card (microSD), Blank (unprogrammed)
7	AAA354DT9	Distance Piece, M3X30, Nylon
8	354CD145	Distance Piece, M3X5, Brass

NOTE: See p. 3 for part identification instructions, material finishes, and specifying complete part numbers.

* Part not shown.

Miscellaneous Spare Parts

31-AAA29501X



REF. No.	PART No.	DESCRIPTION
1	AAA375BM6	Fuse, LCD Driver Board
*	AAA639ED1 AAA639ED2	Media Reader (USB card reader for microSD card)
2	AAA174AVF6	RSL Extension Cable, L = 5 ft., one end un-terminated
3	AAA174AHZ5	RSL Extension Harness, L = 6 ft.
4	AAA174BWF6	Cable, Electrical LVDS, L = 8 in.
5	AAA174AMZ2	Cable, Back Light, L = 7 in.

* Part not shown.