

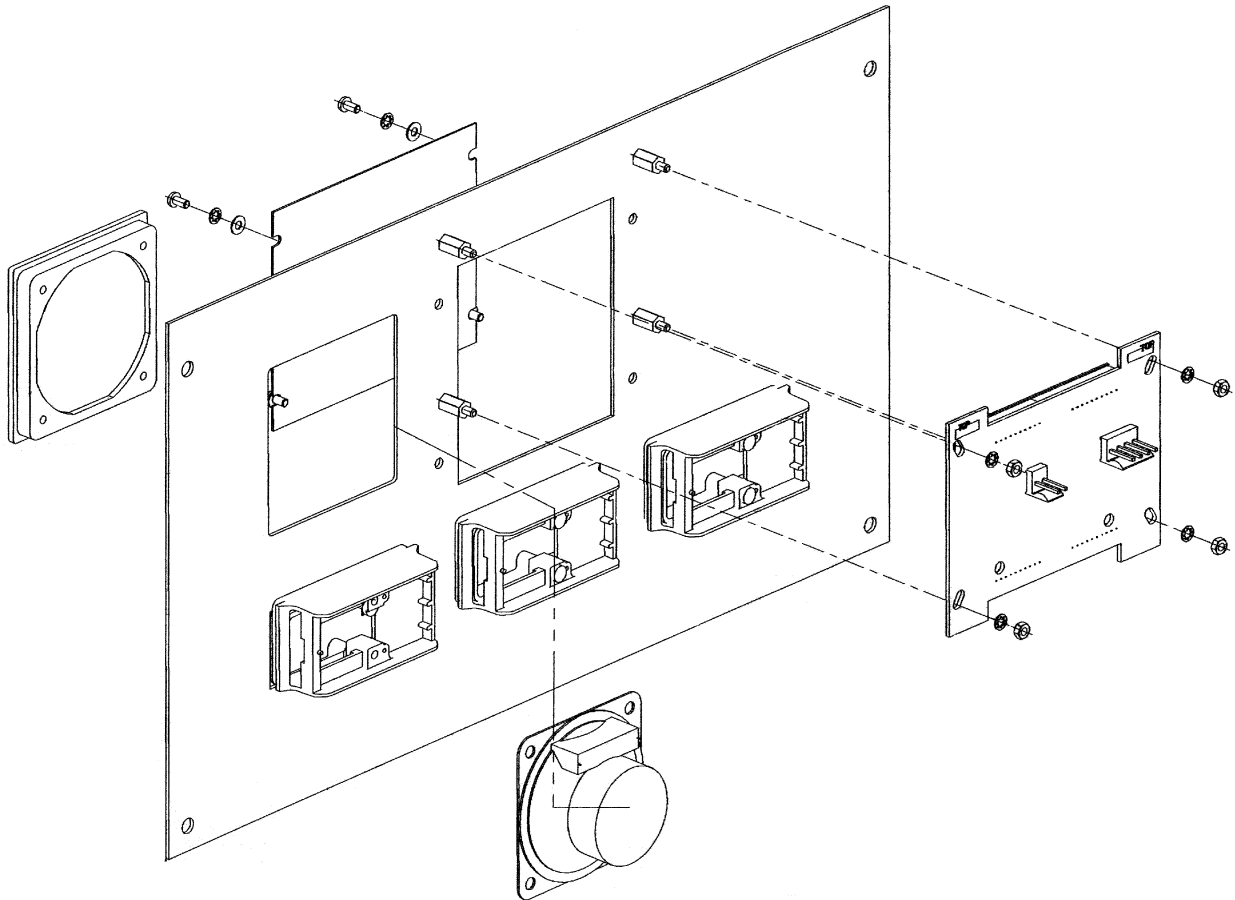
# Car Position Indicator (CPI) with Message Indicator Modules (MIM)

## Spare Parts Leaflet 31-AAA25250A

April 4, 2005 / Page 1 of 6

Supersedes SPL 31-AAA25250A Dated February 10, 2005

31 H-ACA25250A



p/n ACA25250A1 Shown

Unpublished Work—© Otis Elevator Co.; 2005

# OTIS

**Safety First!**

**SERVICE ENGINEERING**  
Otis Elevator Company  
Bloomfield, Connecticut USA

**Leaflet Description**

This leaflet details car position indicator (CPI) with message indicator modules (MIM) and the mounting plates.

**Leaflet Revisions**

| <b>Date Revised</b> | <b>Subject Matter Expert</b> | <b>Reason for Revision</b>  |
|---------------------|------------------------------|---|
| February 10, 2005   | Joseph Zych                  | New SPL   |
| April 4, 2005       | Joseph Zych                  | Added Vintage Tag on the cover; Updated the illustrations on the cover and page 3; Updated reference 3 on page 3 by adding new p/n AAA27076BR3 and superseding p/n ABA26800GN1. |

**Related Drawings**

| <b>Drawing No.</b> | <b>Title</b>  | <b>Drawing No.</b> | <b>Title</b>  |
|--------------------|---|--------------------|---|
| AAA25250A          | Assembly, Car Position Indicator with Message Indicator Modules | ABA25250A          | Assembly, Car Position Indicator with Message Indicator Modules |
| ABB25250A          | Assembly, Car Position Indicator with Message Indicator Modules | ACA25250A          | Assembly, Car Position Indicator with Message Indicator Modules |

**Related Documents**

| <b>Document ID</b> | <b>Title</b>                                      |
|--------------------|---|
| SPL 31-AAA7069AAR  | Advanced Fixtures: Jewel Modules                  |
| SPL 31-AAA7069AAE  | Advanced Fixtures: Message Indicator Module (MIM) |
| SPL 31-AAA25000AAB | Elevonic® 411Car Operating Panel                  |

**Subject Matter Expert**

| <b>Name</b> | <b>Department</b>       |
|-------------|-------------------------|
| Joseph Zych | OSC Service Engineering |

**About Spare Parts Leaflets...**

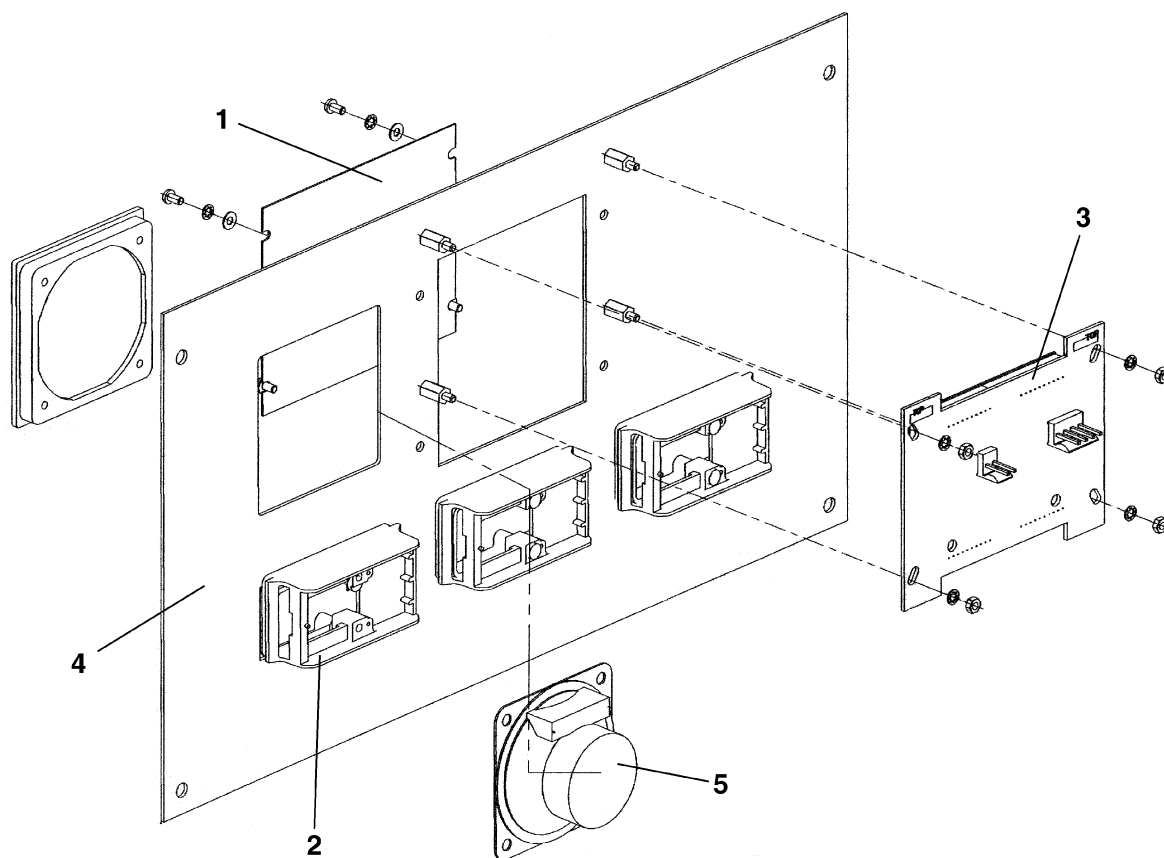
This document lists the lowest replaceable units (LRUs) for the standard version of the product. The LRUs are chosen by a team of Otis associates representing engineering and manufacturing.

While goal of this document is to make parts identification as easy as possible, the document cannot be all-inclusive. Elevator and escalator contracts classified as "special" or "custom" are not addressed here. For such contracts, please refer to specified information, the contract folder, TIPs, Field Education Articles, Construction Letters, etc. for further information.

If you have any suggestions about this document, please contact the subject matter expert listed on this page.

# CPI with Message Indicator

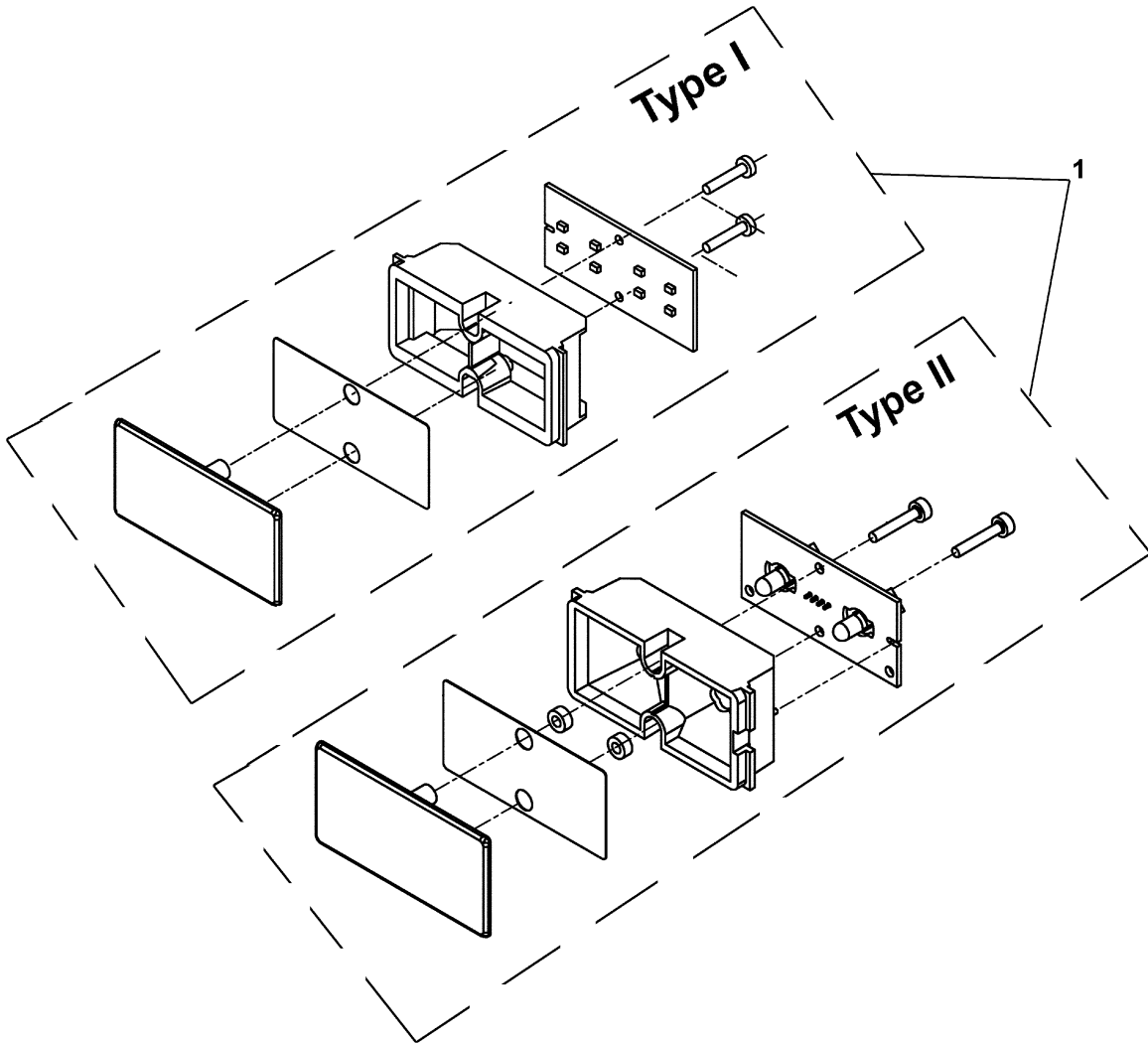
**31-AAA25250A**







p/n ACA25250A1 Shown

| <b>ACA25250A</b> |   |  |
|------------------|---|--|
| <b>REF. No.</b>  | <b>PART No.</b>   | <b>DESCRIPTION</b>   |
| 1                | AAA449BM2   | Mask (red filter)  |
| 2                | ---   | Module, Message Indicator,  Page 4 for Details                       |
| 3                | <del>ABA26800GP1</del><br>AAA27076BR1                           | Kit, Retrofit, Display PC Board w/o Filter, for LED CPI, <b>NOTE</b> |
|                  | <del>ABA26800GP2</del><br>AAA27076BR2                           | Kit, Retrofit, Display PC Board w/Filter, for LED CPI, <b>NOTE</b>   |
|                  | <del>AAA26800GN1</del><br><del>ABA26800GN1</del><br>AAA27076BR3 | Kit, Retrofit Display PC Board w/Filter, <b>NOTE</b>                 |
|                  | ACA26800HJ1   | PC Board, for VF CPI   |
|                  | ABA26800AJX1  | PC Board, Display, w/o Filter, for LED CPI                           |
|                  | ABA26800AJX2  | PC Board, Display, w/Filter, for LED CPI                             |
|                  | 4   | ---  |
| 5                | 7069AL6   | Speaker (speech with or without intercom)                            |
|                  | 7069AL5   | Speaker (intercom without speech)                                    |

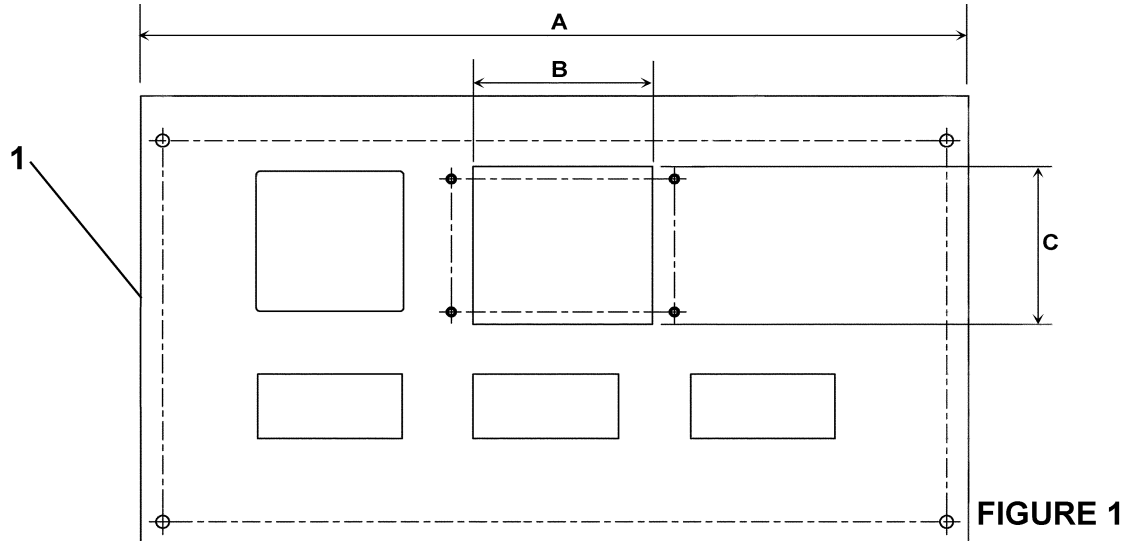
**NOTE:** Refer to TIP 4.4.3-2 when replacing PCB types ABA26800GP or ABA26800GN. Type AAA27076BR kit replaces both display and power supply PC boards.



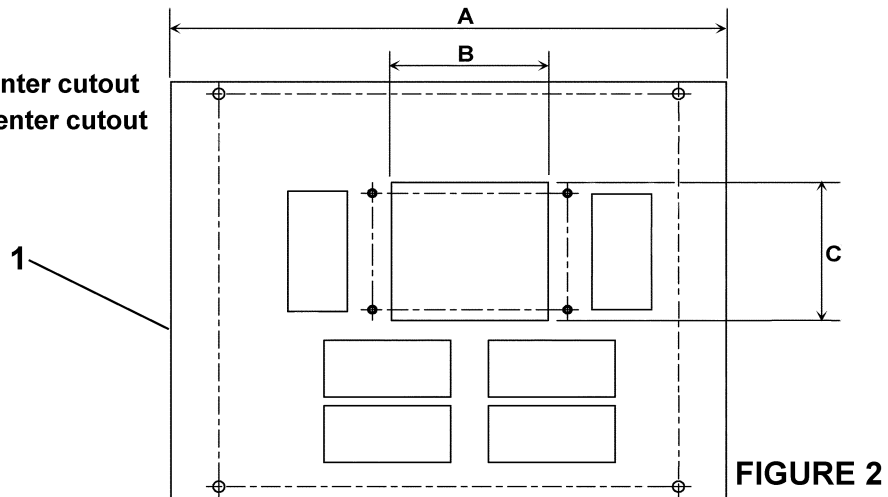
| W/O VINTAGE |          |  |      |
|-------------|----------|--|------|
| REF. No.    | PART No. | DESCRIPTION  | TYPE |
| 1           | ---      | Module, Message Indicator,  LED,<br> SPL 31-AAA7069AAE         | I    |
|             |          | Module, Message Indicator,  Incandescent<br> SPL 31-AAA7069AAR | II   |

# Mounting Plates

**31-AAA25250A**



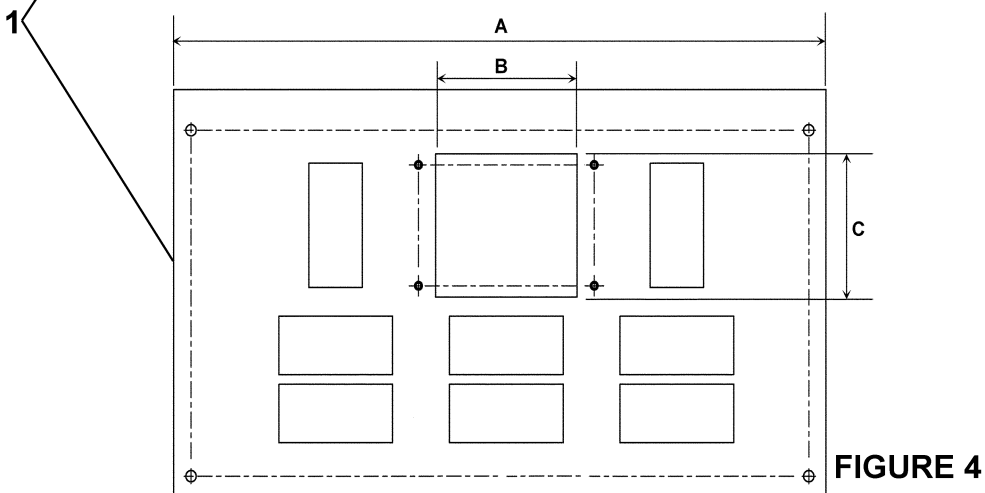
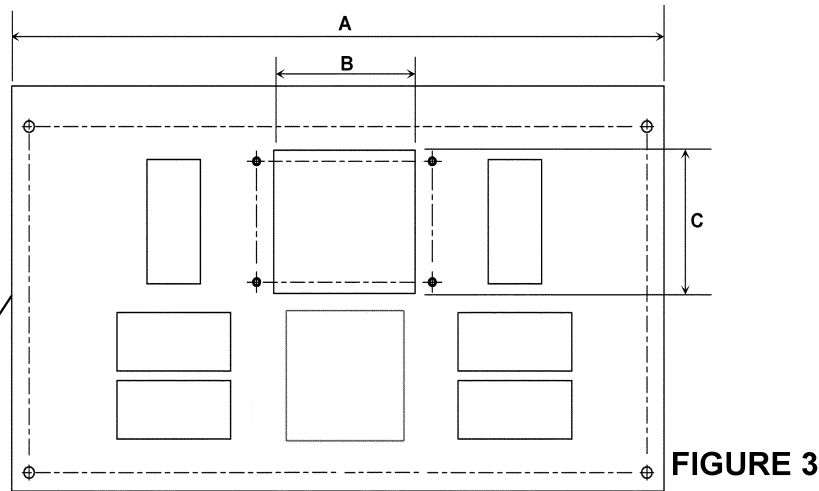
A = width of plate  
 B = width of top center cutout  
 C = height of top center cutout



|                 |                 | <b>W/O VINTAGE</b> |               |               |                   |                    |
|-----------------|-----------------|--------------------|---------------|---------------|-------------------|--------------------|
| <b>REF. No.</b> | <b>PART No.</b> | <b>A (mm)</b>      | <b>B (mm)</b> | <b>C (mm)</b> | <b>FIGURE NO.</b> | <b>DESCRIPTION</b> |
| 1               | AAA386CCT1      | 378.5              | 82            | 88            | 1                 | Plates, Mounting   |
|                 | AAA386CCT3      | 378.5              | 82            | 76            |                   |                    |
|                 | AAA386KMT7      | 170                | 82            | 76            | 2                 |                    |
|                 | AAA386KNC6      | 170                | 93            | 58            |                   |                    |
|                 | AAA386KMT5      | 230                | 82            | 76            |                   |                    |
|                 | AAA386KNC4      | 230                | 93            | 58            |                   |                    |
|                 | AAA386KMT1      | 290.2              | 82            | 88            |                   |                    |
|                 | AAA386KMT3      | 290.2              | 82            | 76            |                   |                    |
|                 | AAA386KNC2      | 290.2              | 93            | 58            |                   |                    |

(Continued on next page)

**Mounting Plates**



A = width of plate  
 B = width of top center cutout  
 C = height of top center cutout

| REF. No. | W/O VINTAGE |  | A (mm) | B (mm) | C (mm) | FIGURE NO. | DESCRIPTION      |
|----------|-------------|--|--------|--------|--------|------------|------------------|
|          | PART No.    |  |        |        |        |            |                  |
| 1        | AAA386KRE3  |  | 378.5  | 82     | 76     | 3          | Plates, Mounting |
|          | AAA386KRF3  |  | 378.5  | 93     | 58     |            |                  |
|          | AAA386KRE6  |  | 240    | 82     | 76     | 4          |                  |
|          | AAA386KRF6  |  | 240    | 93     | 58     |            |                  |
|          | AAA386KRE4  |  | 378.5  | 82     | 76     |            |                  |
|          | AAA386KRF4  |  | 378.5  | 93     | 58     |            |                  |