

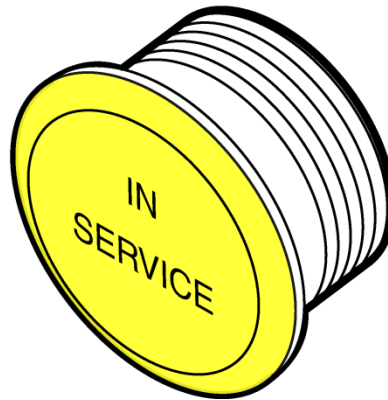
Jewel

Spare Parts Leaflet

31-AAA23500AL

January 10, 2024 / Page 1 of 12

**W/O
VINTAGE**



OTIS

This document does not contain any
technical data subject to EAR or ITAR

SERVICE ENGINEERING
Otis Elevator Company
Bloomfield, Connecticut USA

Unpublished Work—© Otis Elevator Co.; 2023

Leaflet Description

The SPL describes the type AAA23500AL jewels. This jewel is used with Series 2 and Series 4 luxury fixture car operating panels and hall stations using the motionless and micro-motion 3 buttons.

The LRU information in this leaflet was originally in leaflet 31-AAA23500AK/AL/AM dated December 1997.

Leaflet Revisions

Date Revised	Subject Matter Expert	Reason for Revision
April 5, 2005	Joseph Zych	New SPL
February 1, 2007	Joseph Zych	Added new p/ns AAA23500AL73 through 76
May 26, 2010	Joseph Zych	Added AAA23500AL77 through 84.
April 15, 2015	Joseph Zych	Added "Blank" for AAA23500AL72 on p.3
May 24, 2017	Joseph Zych	Added jewels AAA23500AL85, 86, and 87 on p. 8
January 10, 2024	Vadzim Fedarenka	Corrected Detail letter for: AAA23500AL40 – was P; AL42 - Q; AL41 – was Q; added AAA23500AL88-91; removed BLANK marking of AAA23500AL72.

Related Drawings

Drawing No.	Title	Drawing No.	Title
AAA23500AL	Jewel	AAA25000CP	Car Operating Panel Assembly
AAA25000BM	Series 4, Swing Return Car Operating Panel	AAA25000BH	LVM Series 2, Flat Applied COP
ABA23500AN	Assembly & Arrangement, Hall Button	---	---

Related Documents

Document ID	Title
Order Form SU12-115	Series 2 Hall Station Fixtures

Subject Matter Expert

Name	Department
Vadzim Fedarenka	OSC Service Engineering

About Spare Parts Leaflets...

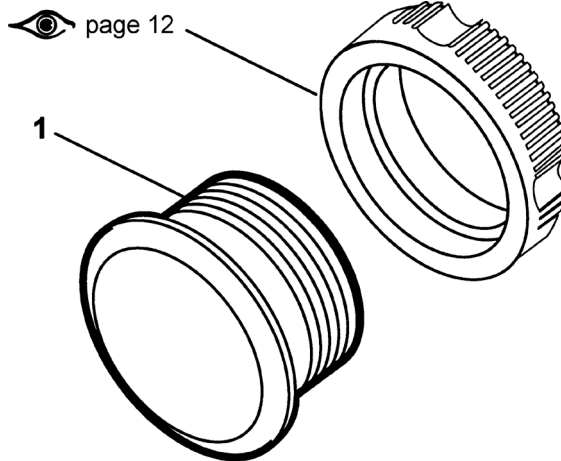
This document lists the lowest replaceable units (LRUs) for the standard version of the product. The LRUs are chosen by a team of Otis associates representing engineering and manufacturing.

While goal of this document is to make parts identification as easy as possible, the document cannot be all-inclusive. Elevator and escalator contracts classified as "special" or "custom" are not addressed here. For such contracts, please refer to specified information, the contract folder, TIPs, Field Education Articles, Construction Letters, etc. for further information.

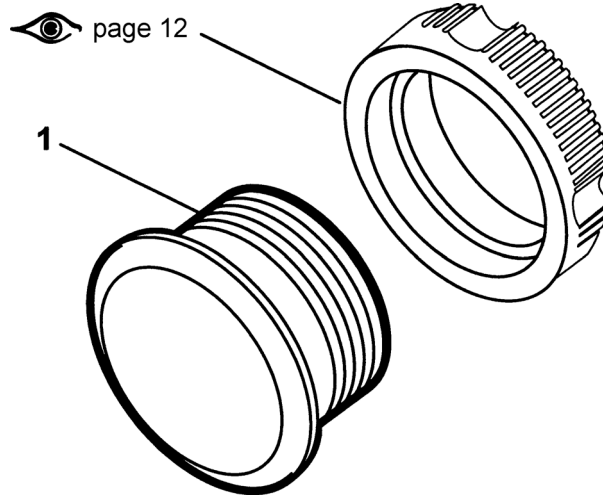
If you have any suggestions about this document, please contact the subject matter expert listed on this page.

Jewel Selections

31-AAA23500AL



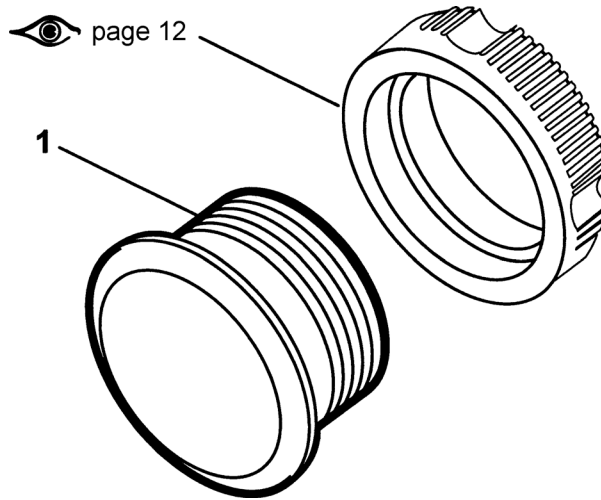
Ref. No. 1 Function Name/ Floor Marking	Text Color	Voltage	Illumination Color	Connect Type (p. 9)	Marking (p. 10)	Ref. No. 1 Part No.
---	---	24 VDC	Red	1	---	AAA23500AL1
---	---	6 VDC	Red	1	---	AAA23500AL2
---	---	12 VDC	Red	1	---	AAA23500AL3
---	---	20-35 VDC	Amber	2	---	AAA23500AL4
---	---	120 VAC	Amber	2	---	AAA23500AL5
---	---	6 VDC	Amber	2	---	AAA23500AL6
---	---	12 VDC	Amber	2	---	AAA23500AL7
---	---	---	---	3	---	AAA23500AL72
---	---	120 VDC	---	2	---	AAA23500AL75
1	Black	20-35 VDC	Amber	2	Detail W	AAA23500AL45
2	Black	20-35 VDC	Amber	2	Detail W	AAA23500AL46
3	Black	20-35 VDC	Amber	2	Detail W	AAA23500AL47
4	Black	20-35 VDC	Amber	2	Detail W	AAA23500AL48
5	Black	20-35 VDC	Amber	2	Detail W	AAA23500AL49
6	Black	20-35 VDC	Amber	2	Detail W	AAA23500AL50
7	Black	20-35 VDC	Amber	2	Detail W	AAA23500AL51
8	Black	20-35 VDC	Amber	2	Detail W	AAA23500AL52
9	Black	20-35 VDC	Amber	2	Detail W	AAA23500AL53
10	Black	20-35 VDC	Amber	2	Detail A	AAA23500AL54
11	Black	20-35 VDC	Amber	2	Detail A	AAA23500AL55
12	Black	20-35 VDC	Amber	2	Detail A	AAA23500AL56
13	Black	20-35 VDC	Amber	2	Detail A	AAA23500AL57



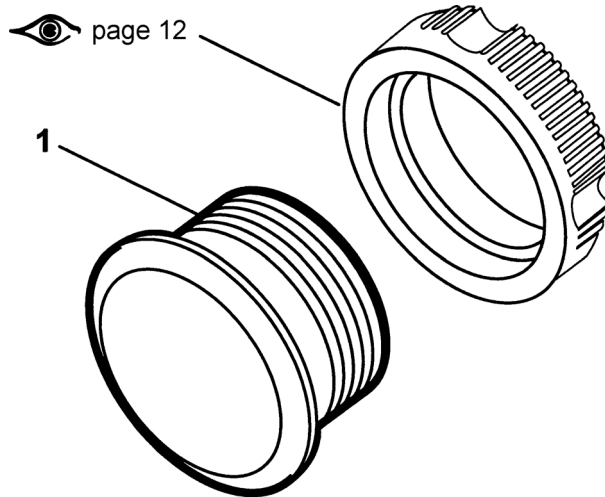
Ref. No. 1 Function Name/ Floor Marking	Text Color	Voltage	Illumination Color	Connect Type (p. 9)	Marking (p. 10)	Ref. No. 1 Part No.
14	Black	20–35 VDC	Amber	2	Detail A	AAA23500AL58
15	Black	20–35 VDC	Amber	2	Detail A	AAA23500AL59
16	Black	20–35 VDC	Amber	2	Detail A	AAA23500AL60
17	Black	20–35 VDC	Amber	2	Detail A	AAA23500AL61
18	Black	20–35 VDC	Amber	2	Detail A	AAA23500AL62
19	Black	20–35 VDC	Amber	2	Detail A	AAA23500AL63
Alarm	Red	6 VDC	Amber	2	Detail K	AAA23500AL35
Alarm	Red	12 VDC	Amber	2	Detail K	AAA23500AL37
Alarm Received	Black	6 VDC	Amber	2	Detail L	AAA23500AL36
Alarm Received	Black	12 VDC	Amber	2	Detail L	AAA23500AL38
Arrow Down (Graphic)	Black	20–35 VDC	Amber	2	Detail R	AAA23500AL64
Arrow Up (Graphic)	Black	20–35 VDC	Amber	2	Detail S	AAA23500AL65
Elevator Emergency Power	Black	24 VDC	Red	1	Detail D	AAA23500AL12
Elevator Emergency Power	Black	20–35 VDC	Amber	2	Detail D	AAA23500AL20
Elevator Emergency Power	Black	120 VAC	Amber	2	Detail D	AAA23500AL28
Emergency	Red	24 VDC	Red	1	Detail B	AAA23500AL15
Emergency	Red	20-35 VDC	Amber	2	Detail B	AAA23500AL23
Emergency	Red	120 VAC	Amber	2	Detail B	AAA23500AL31

Jewel Selections

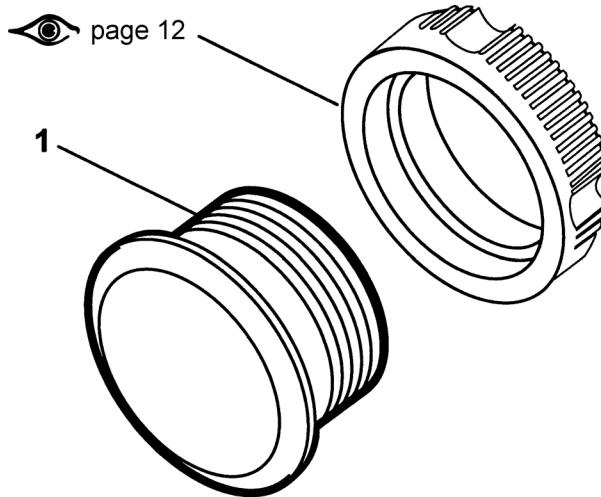
31-AAA23500AL



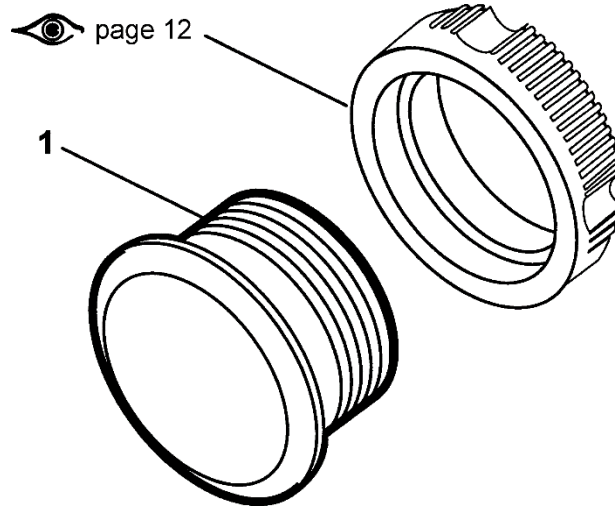
Ref. No. 1 Function Name/ Floor Marking	Text Color	Voltage	Illumination Color	Connect Type (p. 9)	Marking (p. 10)	Ref. No. 1 Part No.
Emergency Recall Off	Red	115 VAC	Amber	2	Detail N	AAA23500AL34
Emergency Recall On	Red	115 VAC	Amber	2	Detail M	AAA23500AL33
Exit When Doors Open	Red	24 VDC	Red	1	Detail G	AAA23500AL8
Exit When Doors Open	Red	20–35 VDC	Amber	2	Detail G	AAA23500AL17
Exit When Doors Open	Red	120 VAC	Amber	2	Detail G	AAA23500AL25
Firehat/ Emergency (Graphic/Text)	Red	20–35 VDC	Amber	2	Detail E	AAA23500AL22
Firehat (Graphic)	Red	120 VDC	Amber	2	Detail F	AAA23500AL76
Firehat (Graphic)	Black	24 VDC	Red	1	Detail F	AAA23500AL11
Firehat (Graphic)	Red	24 VDC	Red	1	Detail F	AAA23500AL13
Firehat (Graphic)	Red	20–35 VDC	Amber	2	Detail F	AAA23500AL21
Firehat (Graphic)	Red	120 VAC	Amber	2	Detail F	AAA23500AL29
Firehat /Emergency (Graphic/Text)	Red	24 VDC	Red	1	Detail E	AAA23500AL14



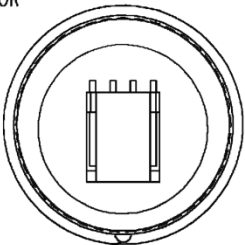
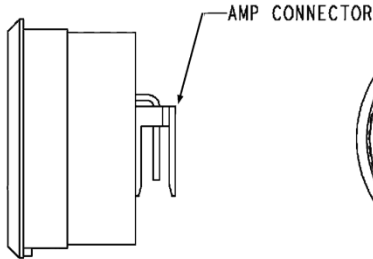
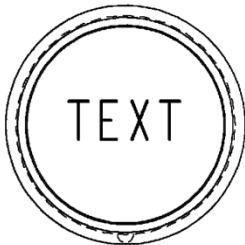
Ref. No. 1 Function Name/ Floor Marking	Text Color	Voltage	Illumination Color	Connect Type (p. 9)	Marking (p. 10)	Ref. No. 1 Part No.
Firehat/ Emergency (Graphic/Text)	Red	120 VAC	Amber	2	Detail E	AAA23500AL30
Freight Service	Black	20–35 VDC	Amber	2	Detail T	AAA23500AL66
Freight Service	Black	120 VAC	Amber	2	Detail T	AAA23500AL69
Further Demand	Black	24 VDC	Red	1	Detail J	AAA23500AL10
Further Demand	Black	20–35 VDC	Amber	2	Detail J	AAA23500AL19
Further Demand	Black	120 VAC	Amber	2	Detail J	AAA23500AL27
G	Black	20–35 VDC	Amber	2	Detail W	AAA23500AL41
In Service	Black	20–35 VDC	Amber	2	Detail V	AAA23500AL68
In Service	Black	120 VAC	Amber	2	Detail V	AAA23500AL71
In Use	Black	24–30 VDC	Amber	2	Detail X	AAA23500AL73
In Use	Black	120 VAC	Amber	2	Detail X	AAA23500AL74



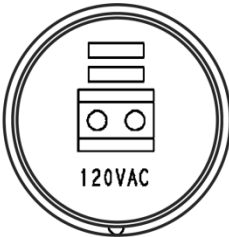
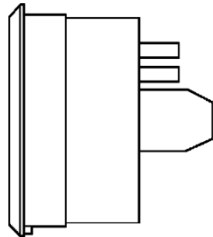
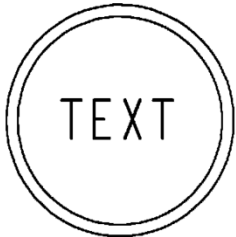
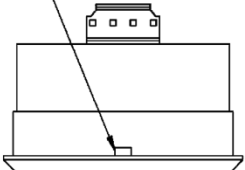
Ref. No. 1 Function Name/ Floor Marking	Text Color	Voltage	Illumination Color	Connect Type (p. 9)	Marking (p. 10)	Ref. No. 1 Part No.
L	Black	20–35 VDC	Amber	2	Detail W	AAA23500AL42
LD	Black	20–35 VDC	Amber	2	Detail A	AAA23500AL43
Medical Emergency	Blue	24 VDC	Red	1	Detail C	AAA23500AL16
Medical Emergency	Blue	20–35 VDC	Amber	2	Detail C	AAA23500AL24
Medical Emergency	Blue	120 VAC	Amber	2	Detail C	AAA23500AL32
Out Of Service	Black	20–35 VDC	Amber	2	Detail U	AAA23500AL67
Out Of Service	Black	120 VAC	Amber	2	Detail U	AAA23500AL70
Ph	Black	20–35 VDC	Amber	2	Detail A	AAA23500AL44
Restricted Floor	Black	24 VDC	Red	1	Detail H	AAA23500AL9
Restricted Floor	Black	20–35 VDC	Amber	2	Detail H	AAA23500AL18
Restricted Floor	Black	120 VAC	Amber	2	Detail H	AAA23500AL26
Star (Graphic) D	Black	20–35 VDC	Amber	2	Detail Q	AAA23500AL40
Star (Graphic) L	Black	20–35 VDC	Amber	2	Detail P	AAA23500AL39



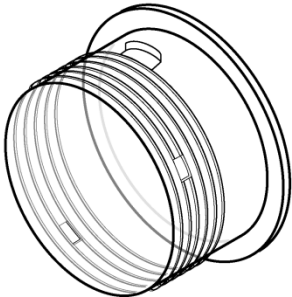
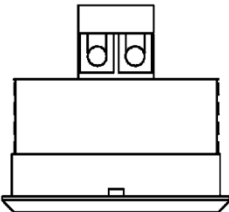
Ref. No. 1 Function Name/ Floor Marking	Text Color	Voltage	Illumination Color	Connect Type (p. 9)	Marking (p. 11)	Ref. No. 1 Part No.
Car At Lobby With Doors Open	Black	24–35 VDC	Amber	2	Detail AE	AAA23500AL83
Car To Lobby	Black	24–35 VDC	Amber	2	Detail AD	AAA23500AL82
Code Blue	Blue	24–35 VDC	Amber	2	Detail Z	AAA23500AL78
LLAMADA	Black	24–30 VDC	Amber	2	Detail Y	AAA23500AL77
Normal Power	Black	24–35 VDC	Amber	2	Detail AC	AAA23500AL81
Overload	Black	24–35 VDC	Amber	2	Detail AB	AAA23500AL80
Pit Flood	Black	24–35 VDC	Amber	2	Detail AA	AAA23500AL79
Seismic	Black	24–35 VDC	Amber	2	Detail AF	AAA23500AL84
Seismic	Black	24 VDC	Red	1	Detail AF	AAA23500AL86
Veillez Sorter	Black	24 VDC	Red	1	Detail AG	AAA23500AL85
Earthquake Mode	Black	24 VDC	Red	1	Detail AH	AAA23500AL87
Evacuation In Progress	Red	24 VDC	Red	1	Detail AJ	AAA23500AL88
Remain In The Car	Red	24 VDC	Red	1	Detail AK	AAA23500AL89
Earthquake Slow Speed	Black	24 VDC	Red	1	Detail AL	AAA23500AL90
Flood	Red	24–30 VDC	Amber	1	Detail AM	AAA23500AL91



Type 1: AMP Connection



Type 2: Discrete Wired



Type 3: Blank

Jewel Markings



DETAIL A



DETAIL B



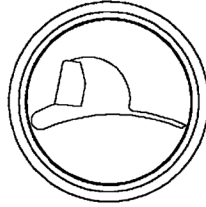
DETAIL C



DETAIL D



DETAIL E



DETAIL F



DETAIL G



DETAIL H



DETAIL J



DETAIL K



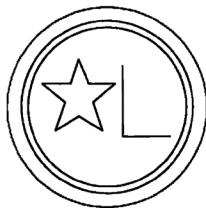
DETAIL L



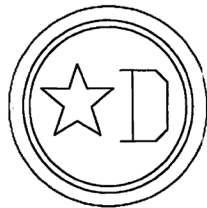
DETAIL M



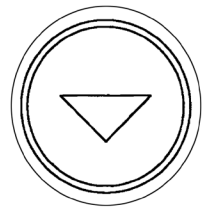
DETAIL N



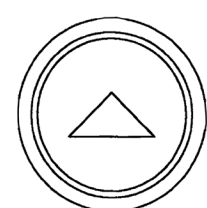
DETAIL P



DETAIL Q



DETAIL R



DETAIL S



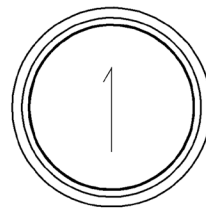
DETAIL T



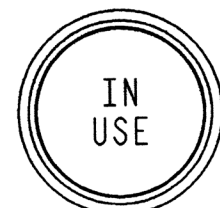
DETAIL U



DETAIL V



DETAIL W



DETAIL X

Jewel Markings

31-AAA23500AL



DETAIL AC



DETAIL AD



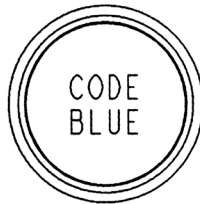
DETAIL AE



DETAIL AF



DETAIL AA



DETAIL Z



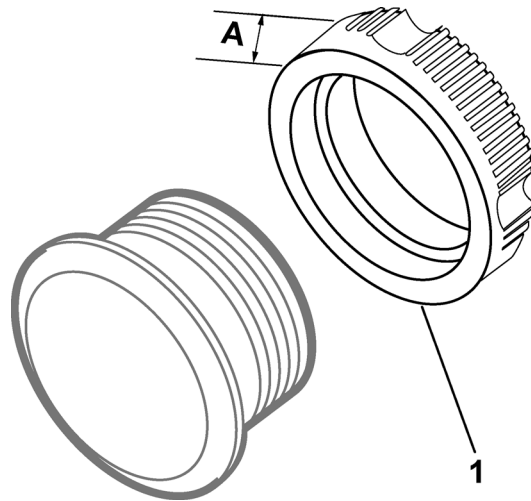
DETAIL Y



DETAIL X

31-AAA23500AL

Locking Nut



REF. No.	PART No.	DESCRIPTION
1	FAA72N1	Nut, Locking, Valox® 420, Dim. A = 3/8 in. Thick
	MAA72W1	Nut, Locking, Low Profile, Valox® 420, Dim. A = 3/16 in. Thick