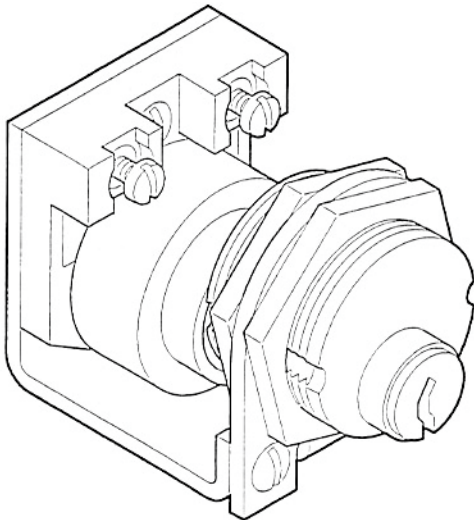


**Types 6410A, B, C, D,  
E, H, R, and T Key  
Operated Contacts**

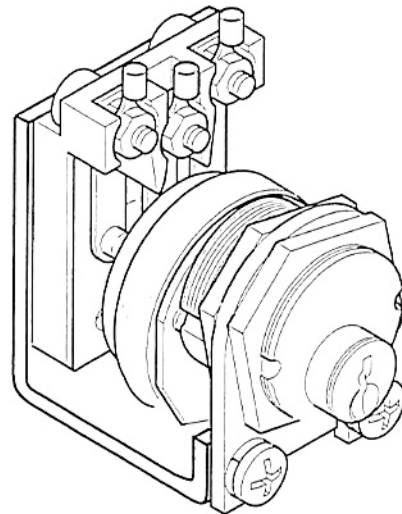
**Spare Parts Leaflet**

**31-A6410A**

**March 14, 2012 / Page 1 of 11**



**TYPES 6410A, B, C & D**



**TYPES 6410E, H, & T**

**OTIS**

**Safety First!**

**SERVICE ENGINEERING**  
Otis Elevator Company  
Bloomfield, Connecticut USA

**Leaflet Description**

Enter a description of the SPL here. Include any relevant information about vintages covered. This table row has a fixed height. If you have additional rows of revisions, drawings, or documents, you will need to adjust the height of this row accordingly. To do so, select Table/Cell Height and Width. Then reduce the number in the box marked "At" until all the History Page information shows on this one page.

**Leaflet Revisions**

<b>Date Revised</b>	<b>Subject Matter Expert</b>	<b>Reason for Revision</b>
June 1, 1992	Jeff Costley, Technical Writer	New SPL
December 1, 1996	---	Update
September 17, 2009	Michael Bertini	Add key part numbers
July 14, 2010	Joseph Zych	Corrected key part number on p. 6
March 14, 2012	Joseph Zych	Corrected key rotate notation for key contact assembly 6410E6 on p. 5

**Related Drawings**

<b>Drawing No.</b>	<b>Title</b>	<b>Drawing No.</b>	<b>Title</b>
A6410A	Key Operated Making Contact Unit. Spring Return	6410E, H	Key Operated Contact
6410B	Key Operated Breaking Contact Unit	6410R	Key Operated Switch

**Related Documents**

<b>Document ID</b>	<b>Title</b>
---	---

**Subject Matter Expert**

<b>Name</b>	<b>Department</b>
Joseph Zych	OSC Service Engineering

**About Spare Parts Leaflets...**

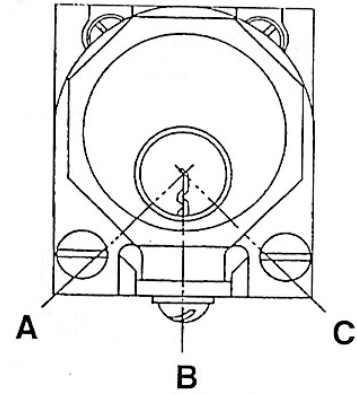
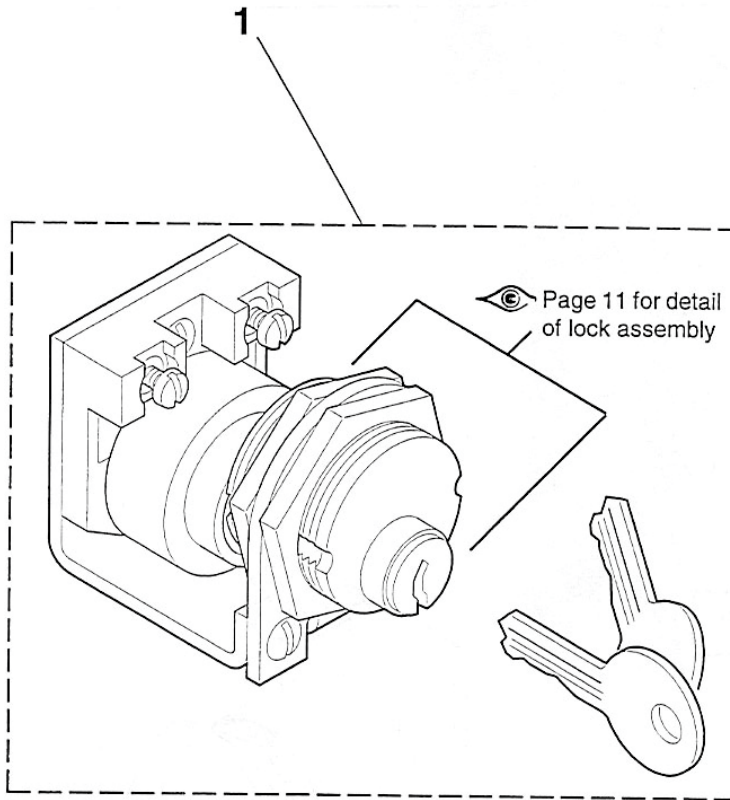
This document lists the lowest replaceable units (LRUs) for the standard version of the product. The LRUs are chosen by a team of Otis associates representing engineering and manufacturing.

While goal of this document is to make parts identification as easy as possible, the document cannot be all-inclusive. Elevator and escalator contracts classified as "special" or "custom" are not addressed here. For such contracts, please refer to specified information, the contract folder, TIPS, Field Education Articles, Construction Letters, etc. for further information.

If you have any suggestions about this document, please contact the subject matter expert listed on this page.

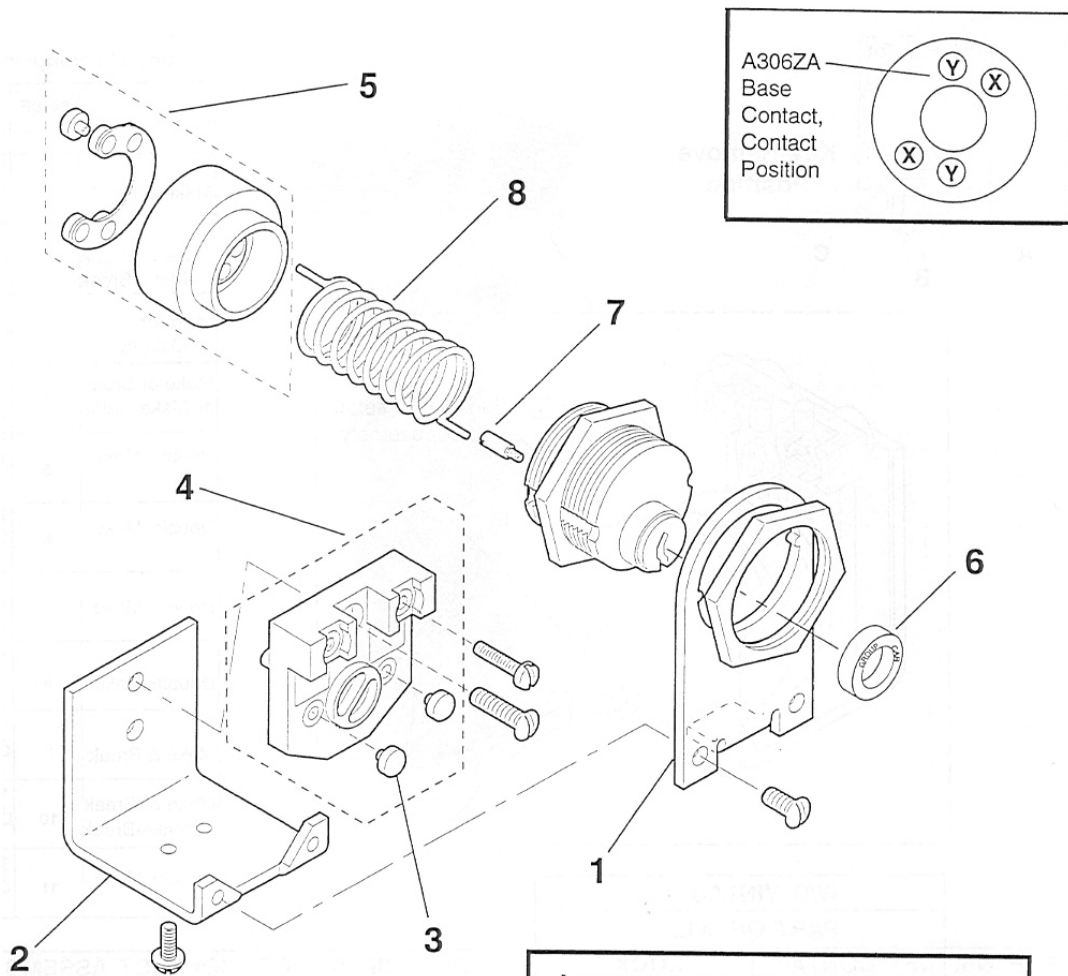
# 6410A, B, C & D Key Operated Contacts

**31-A6410A**



**Key Remove Position**

W/O VINTAGE PART OR ML						
REF. No.	KEY CONTACT ASSEMBLY	LOCK ASSEMBLY	DESCRIPTION	CONTACT ARRANGE	KEY REMOVE	KEY
1	6410A1 A6410A1	A431C3	Assembly, Key Operated Contact w/Return Spring	Making	B	27248GA
	6410B1	A431C3	Assembly, Key Operated Contact w/o Return Spring	Breaking	B	27248GA
	6410C1	A431C17	Assembly, Key Operated Contact w/o Return Spring	Making/ Breaking	A & C	27248GA
	6410D1	A431C3	Assembly, Key Operated Contact w/o Spring Return	Making	B	27248GA



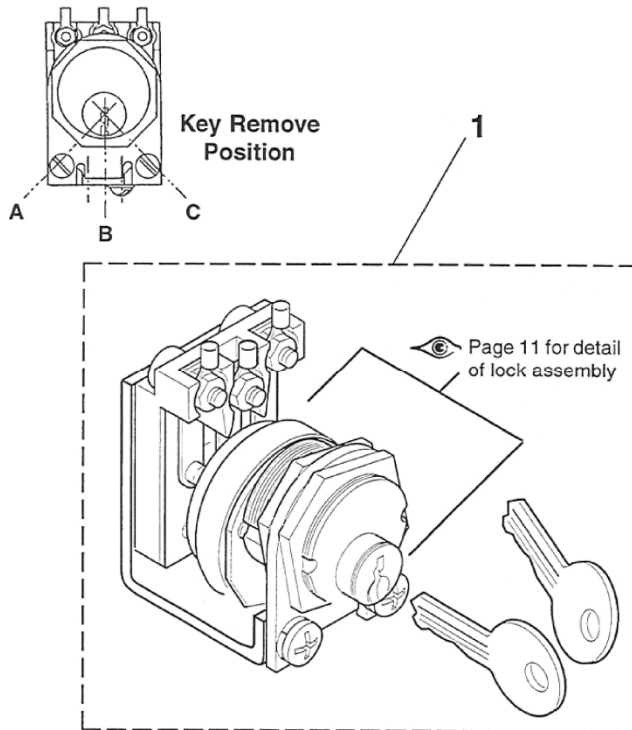
**\* ORDER A COLLAR BY INDICATING THE DESIRED MARKING AFTER THE DASH.  
 👁 SPL 31-340AA FOR SELECTION.**

W/O VINTAGE		
REF. No.	PART No.	DESCRIPTION
1	316AR1	Bracket
2	316ZP2	Bracket
3	150JA1	Contact
4	A306YA2	Contact Base Assembly w/150JA1 Contacts
5	A306ZA2	Contact Base Assembly w/150JA1 Contacts, Contact Location 'Y'
	A306ZA3	Contact Base Assembly w/150JA1 Contacts, Contact Location 'X' used on type 6410C Keyswitch
6	340AA2-*	Collar Black
	340AA3-*	Collar, Red
7	77VD1	Pin
8	92F3	Spring

# 6410E Key Operated Contacts

**31-A6410A**

## Yale and Towne Lock

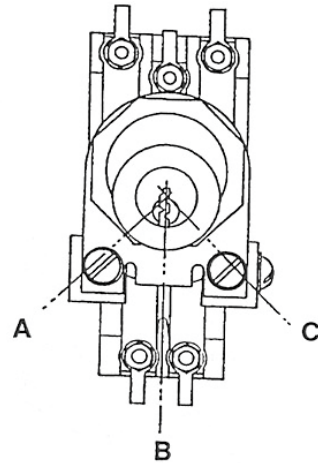
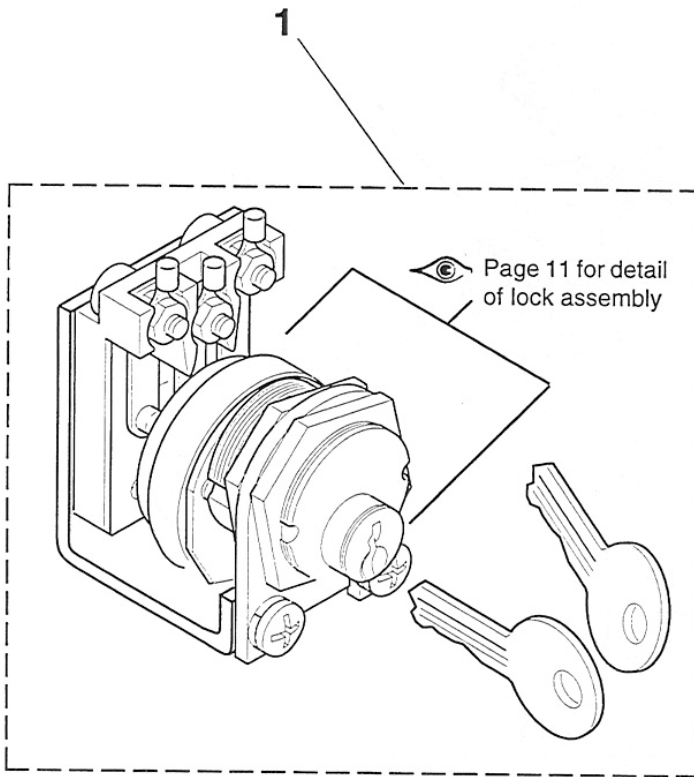


ARR	CONTACT TYPE	CONTACT ARR (WITH KEY IN POSITION B)
1	M. G. STARTING SWITCH	
2	SINGLE MAKE OR SINGLE BREAK OR BREAK & MAKE WITH COMMON	
3	SINGLE MAKE OR SINGLE BREAK OR BREAK & MAKE WITH COMMON	
4	SINGLE MAKE OR SINGLE BREAK OR BREAK & MAKE WITH COMMON	
5	DOUBLE MAKE WITH COMMON	
6	SINGLE MAKE DOUBLE THROW	
7	DOUBLE MAKE WITH COMMON	
8	DOUBLE MAKE WITH COMMON	
9	POS - A - DOUBLE MAKE POS - B - SINGLE MAKE POS - C - SINGLE BREAK	
10	SINGLE MAKE OR SINGLE BREAK OR BREAK & MAKE WITH COMMON	
11	SINGLE MAKE DOUBLE THROW	
12	SINGLE MAKE OR SINGLE BREAK OR BREAK & MAKE WITH COMMON	

**W/O VINTAGE  
PART OR ML**

REF. No. / Cntk. Arr.	KEY CONTACT ASSEMBLY	LOCK ASSEMBLY	KEY	DESCRIPTION OF CONTACT ASSEMBLY			
				SPRING RETURN	STOP SCREW	KEY ROTATE	KEY REMOVE
1	6410E1	A431C3	27248GA	W	W/O	A, B & C	B
	6410E2	A431C3	27248GA	W	LOC - E	A & B	B
	6410E3	A431C3	27248GA	W/O	LOC - E	A & B	B
	6410E4	A431C8	27248GA	W/O	LOC - E	A & B	A & B
	6410E5	A431C3	27248GA	W	LOC - E	A & B	B
	6410E6	A431C3	27248GA	W	W/O	A, B & C	B
	6410E7	A431C3	27248GA	W/O	LOC - E	A, B & C	B
	6410E8	A431C10	18549GE	W	LOC - E	A & B	B
	6410E9	A431C13	27248GA	W	W/O	A, B & C	B & C
	6410E10	A431C12	18549GE	W/O	LOC - E	A & B	A & B
	6410E11	A431C17	27248GA	W/O	W/O	A & B	A, B & C
	6410E12	A431C23	5957SA	W/O	LOC - E	A & B	B

# 6410H Key Operated Contact



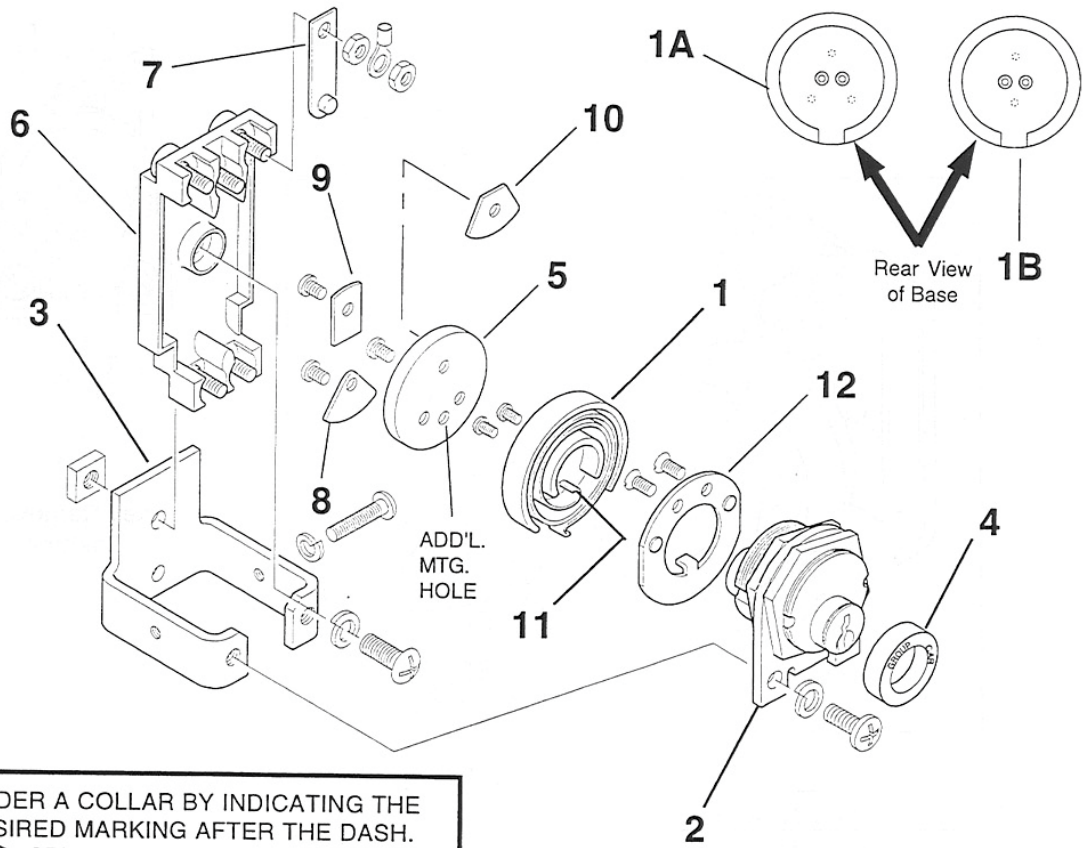
**Key Remove Position**

**W/O VINTAGE  
PART OR ML**

REF. No.	KEY CONTACT ASSEMBLY	LOCK ASSEMBLY	KEY	DESCRIPTION OF CONTACT ASSEMBLY			
				SPRING RETURN	STOP SCREW	KEY ROTATE	KEY REMOVE
1	6410H1	A431C15	14398GB	W	W/O	A, B & C	B
	6410H2	A431C3	27248GA	W	W	A & B	B
	6410H3	A431C3	27248GA	W/O	W	A & B	B
	6410H4	A431C8	27248GA	W/O	W	A & B	A & B
	6410H6	A431C3	27248GA	W	W/O	A, B & C	B
	6410H7	A431C30	18549GE	W/O	W/O	A, B & C	A, B & C

# 6410H Parts

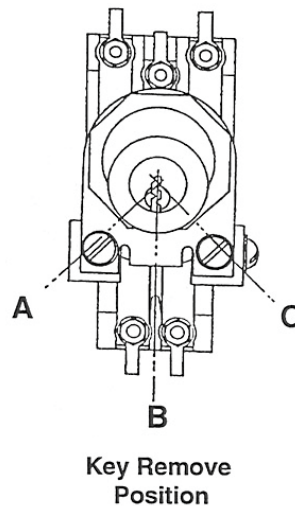
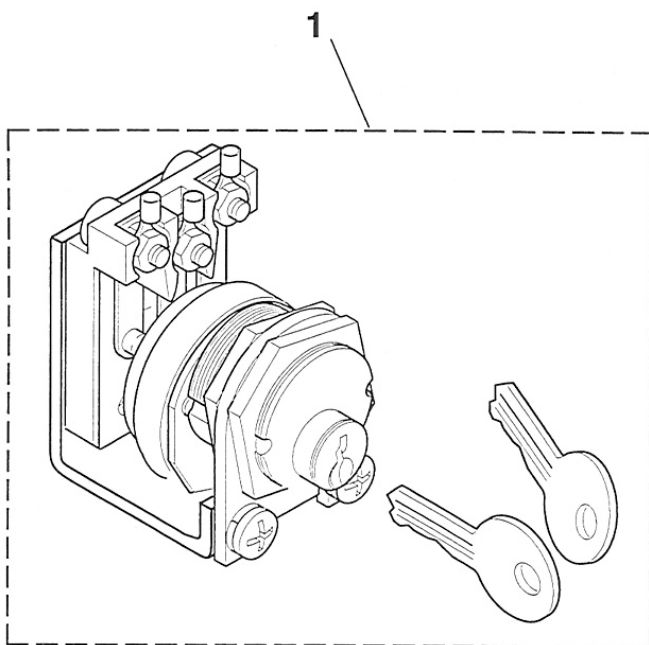
**31-A6410A**



\* ORDER A COLLAR BY INDICATING THE DESIRED MARKING AFTER THE DASH.  
 ◀ SPL 31-340AA FOR SELECTION.

REF. No.		W/O VINTAGE PART OR ML	DESCRIPTION
1	A	306AR2	Base
	B	306AR4	Base (for 6410H7 only)
2		A316AR1	Bracket
3		316BPW1	Bracket, w/o Stop Screw
		316BPW2	Bracket, w/Stop Screw
4		340AA2-*	Collar, Black
		340AA3-*	Collar, Red
5	A	179BH1	Contact Holder
	B	179CX2	Contact Holder (w/additional mounting hole, 6410H7 only)
6		306FY1	Contact Base
7		150AF2	Contact, Metallic w/Spring
8		156AH1	Contact, Moveable (for 6410H1 through 4, & 6)
9		156AJ1	Contact, Moveable
10		156BF1	Contact, Moveable (for 6410H7)
11		92H4	Spring
12		477AM1	Stop

# 6410T Key Operated Contact



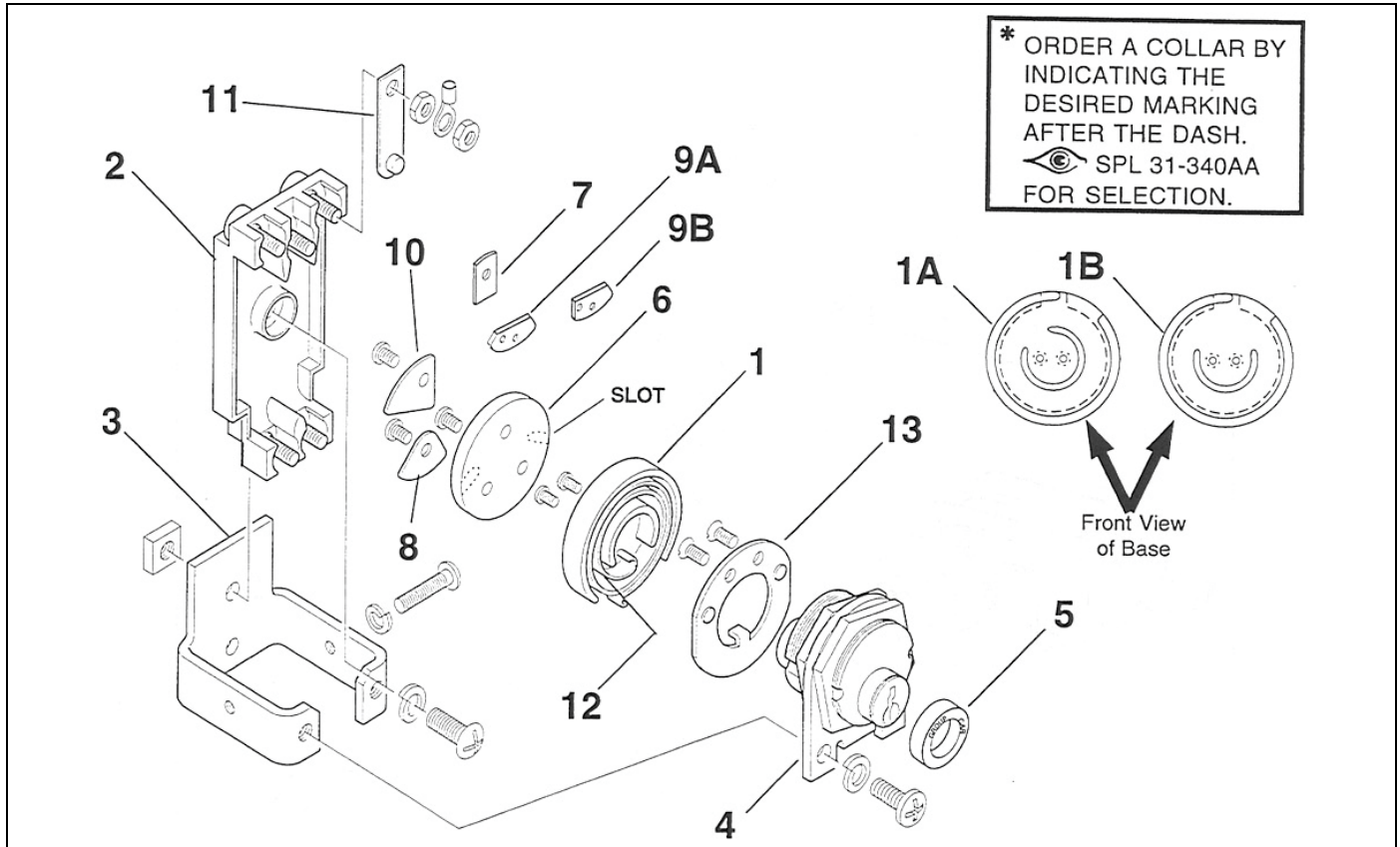
**W/O VINTAGE  
PART OR ML**

REF. No.	KEY CONTACT ASSEMBLY	LOCK ASSEMBLY	KEY	DESCRIPTION OF CONTACT ASSEMBLY			
				SPRING RETURN	STOP SCREW	KEY ROTATE	KEY REMOVE
1	6410T1	A431C22	5957SA	W/O	W/O	A, B & C	A, B & C
	6410T2	A431C23	5957SA	W	W/O	A, B & C	B
	6410T3	A431C21	5957SA	W/O	W/O	A, B & C	A & B
	6410T4	A431C21	5957SA	W/O	LOC - F	A & B	A & B
	6410T5	A431C23	5957SA	W/O	LOC - F	A & B	B
	6410T6	A431C27	3502	W/O	LOC - F	A & B	A & B
	6410T7	A431C22	5957SA	W/O	W/O	A, B & C	A, B & C
	6410T21	A431C24	5957SA	W	W/O	A, B & C	B & C
	6410T22	A431C25	5957SA	W	W/O	A, B & C	C
	6410T23	A431C24	5957SA	W/O	LOC - G	B & C	B & C
	6410T24	A431C25	5957SA	W/O	LOC - G	B & C	C
	6410T25	A431C26	2642	W	W/O	A, B & C	B & C
	6410T26	A431C26	2642	W/O	LOC - G	B & C	B & C
	6410T27	A431C28	3502	W/O	LOC - G	B & C	B & C
6410T28	A431C25	5957SA	5957SA	W/O	LOC - G	B & C	C



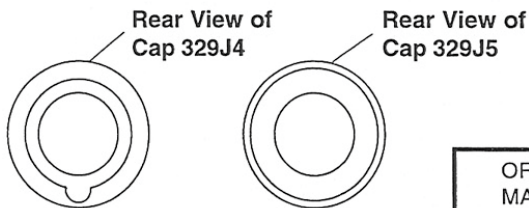
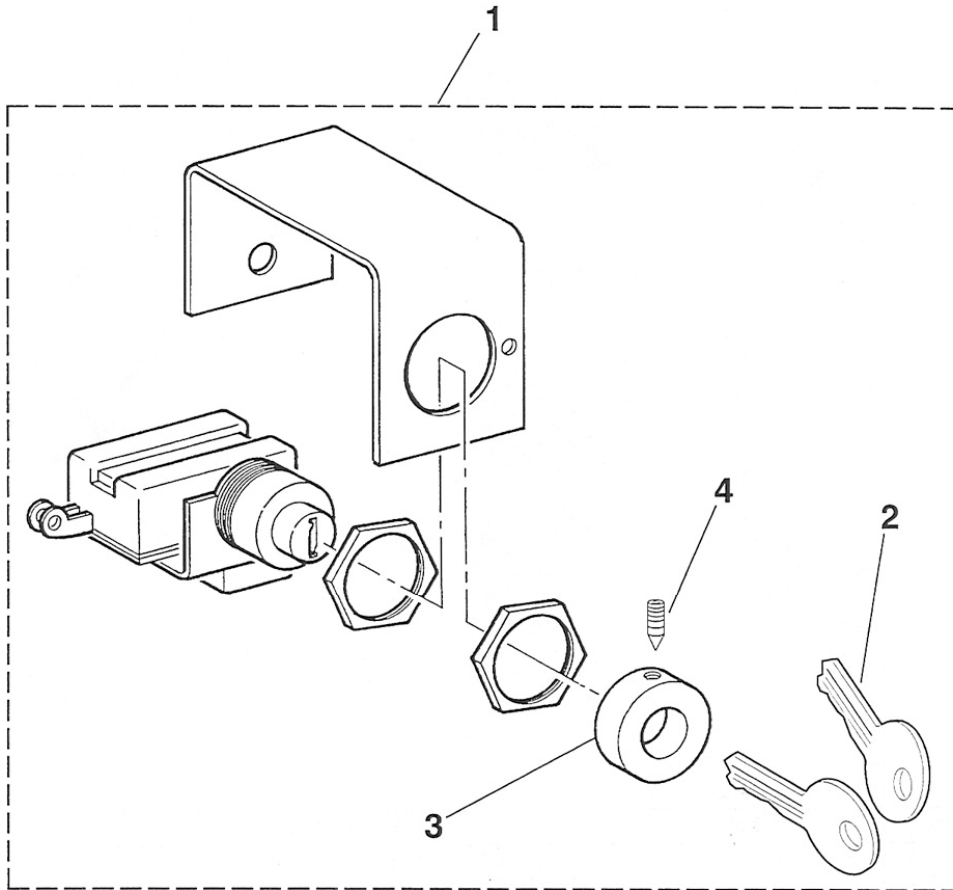
# 6410T Key Contact Parts

**31-A6410A**



REF. No.	W/O VINTAGE	DESCRIPTION
	PART OR ML	
1	306AR2	Base (for 6410T1 through 7)
	306AR3	Base (for 6410T21 through 28)
2	306FY1	Base
3	316BPW2	Bracket
4	A316AR1	Bracket
5	340AA2-*	Collar, Black
	340AA3-*	Collar, Red
6	179CY1	Contact Holder (for 6410T1 through 7) w/Slots
	179BH2	Contact Holder (for 6410T21 through 28) w/o Slots
7	156AJ1	Contact (for 6410T1 through 7)
8	156AH1	Contact (for 6410T21 through 28)
9	156BD1	Contact (for 6410T1 through 6)
	156BD2	Contact (for 6410T7 only)
10	156BE1	Contact (for 6410T21 through 28)
11	150AF2	Contact, Moveable
12	92H4	Spring
13	477AM1	Stop

**6410R Key Operated Contact**

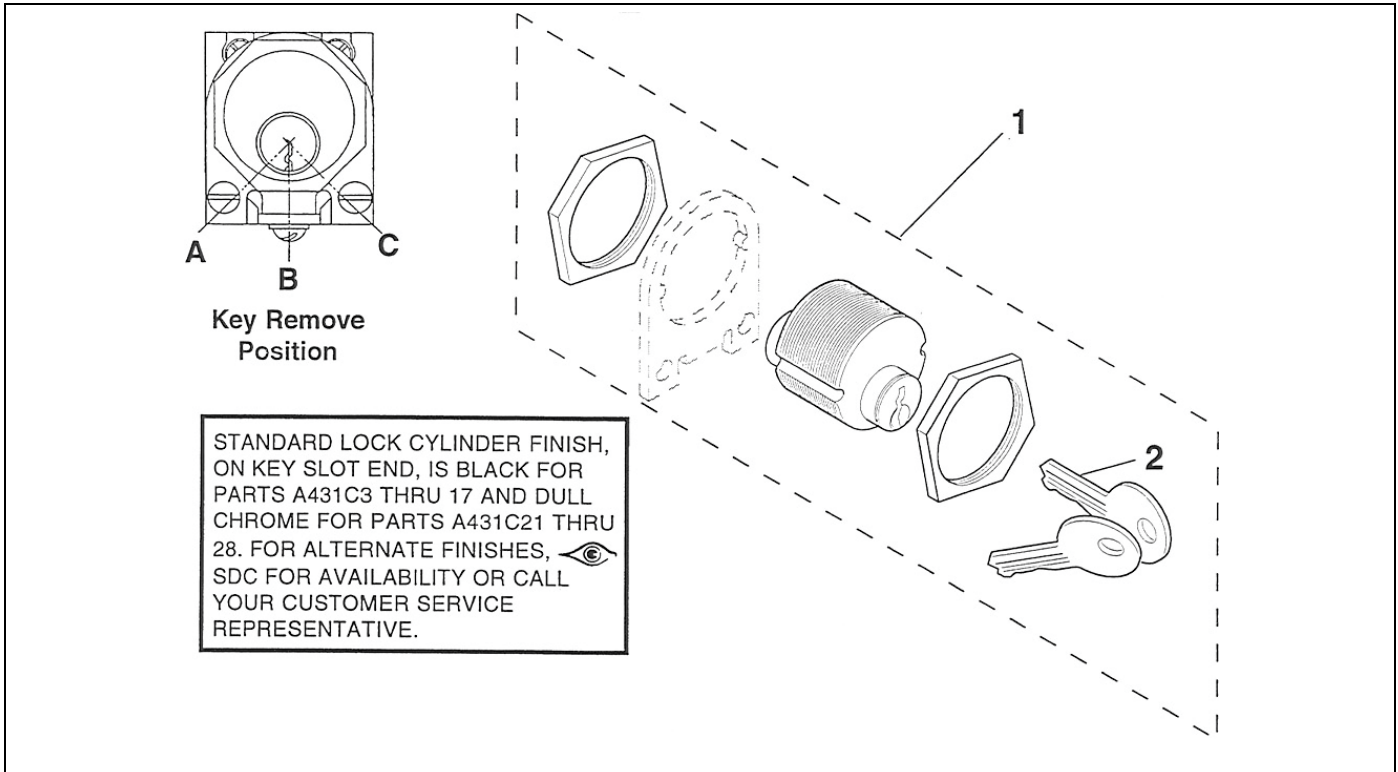


ORDER A CAP BY INDICATING THE DESIRED MARKING AFTER THE DASH e.g. 329J4-LIGHT RAY OFF.  SDC INVENTORY FOR SELECTION AVAILABILITY.

REF. No.	W/O VINTAGE	DESCRIPTION
	PART OR ML	
1	6410R2	Assembly, Switch, SPST w/Bracket and Keys (2)
	6410R4	Assembly, Switch DPDT w/Bracket and Keys (2)
2	VP-796350	Keys (2) (Arrow Hart & Hegeman Co. #1561-1487)
3	329J4-*	Cap, Black w/Set Screw (viewed from rear, OD = 0.609)
	329J5-*	Cap, Black w/Set Screw (viewed from rear, OD = 0.470)
4	HSOC4-40X3/8CP	Set Screw, Cup Point, 4-40X3/8 in.

# A431C Lock Assemblies (Yale & Towne)

**31-A6410A**



<b>W/O VINTAGE</b>			
<b>PART OR ML</b>			
<b>REF. 1</b>	<b>REF 2</b>		
<b>LOCK ASSEMBLY</b>	<b>KEY (2)</b>	<b>DESCRIPTION</b>	<b>KEY REMOVE POSITION</b>
A431C3	VP-796905	Lock Assembly (Manf. Key No. 27248GA)	B
A431C8	VP-796905	Lock Assembly (Manf. Key No. 27248GA)	A & B
A431C10	VP-797100	Lock Assembly (Manf. Key No. 18549GE)	B
A431C12	VP-797100	Lock Assembly (Manf. Key No. 18549GE)	A & B
A431C13	VP-796905	Lock Assembly (Manf. Key No. 27248GA)	B & C
A431C15	VP-797050	Lock Assembly (Manf. Key No. 14398GB)	B
A431C17	VP-796905	Lock Assembly (Manf. Key No. 27248GA)	A, B, & C
A431C21	VP-797110	Lock Assembly (Manf. Key No. 5957(SA))	A & B
A431C22	VP-797110	Lock Assembly (Manf. Key No. 5957(SA))	A, B, & C
A431C23	VP-797110	Lock Assembly (Manf. Key No. 5957(SA))	B
A431C24	VP-797110	Lock Assembly (Manf. Key No. 5957(SA))	B & C
A431C25	VP-797110	Lock Assembly (Manf. Key No. 5957(SA))	C
A431C26	VP-797120	Lock Assembly (Manf. Key No. 2642)	B & C
A431C27	VP-797130	Lock Assembly (Manf. Key No. 3502)	A & B
A431C28	VP-797130	Lock Assembly (Manf. Key No. 3502)	B & C