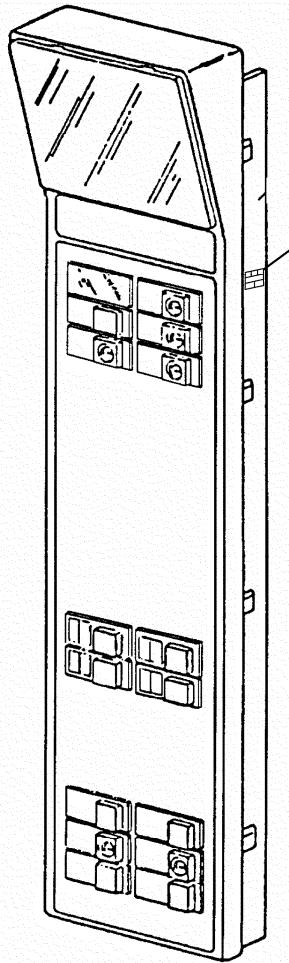


LRV3, LRV4, LRV4L Car Operating Panel

Spare Parts Leaflet

31-7155T

January 29, 2014 / Page 1 of 6



W/O VINTAGE		
31	7155AD	Y01
REV	EN	

OTIS

Safety First!

SERVICE ENGINEERING
Otis Elevator Company
Bloomfield, Connecticut USA

Leaflet Description

This leaflet details car operating panel assembly used in LRV3, LRV4, and LRV4L. Note that the 7155T is LRV3; the 7155AD is LRV4 and has the vintage tag.

Leaflet Revisions

Date Revised	Subject Matter Expert	Reason for Revision
May 1991	- - -	- - -
August 1997	Stephen Karvazy	Added micro-controller PCB upgrade kit ABA07900AAA
April 25, 2002	Ali Bozorgzadeh	Correct reference errors, and update parts on pp. 3 & 6
May 25, 2011	Matt Fournier	Added plate cover and standoff parts on p. 6
January 29, 2014	Ali Bozorgzadeh	Corrected reference 3 on p. 6

Related Drawings

Drawing No.	Title	Drawing No.	Title
7155T	NAO-Hydro 2 Row-Micro Computer Car Operating Panel Assembly	7155AD	NAO-Hydro 2 Row Micro Computer Car Operating Panel Assembly LRV4

Related Documents

Document ID	Title
SPL 10-A7145AH	Hall Button Interface Assembly
SPL 31-7069AF	Component Fixtures for Car Operating & Hall Panels
SPL 31-7069AG	Jewel Modules for Car and Hall Panels 3-Wire Configuration with Incandescent Lamps
SPL 32-7069AR	Advanced Raised Fixtures: Hall Panel LRV3 Main Landing
SPL 31-AAA7069BH	Keyswitch Modules
TIP 24.4-17	LRS/LHM Software Contract Survey Form
TIP 24.1-42	Replacement of LRV3 Microcontroller Board w/LRV4 Board, Retrofit Kit p/n ABA07900AAA001

Subject Matter Expert

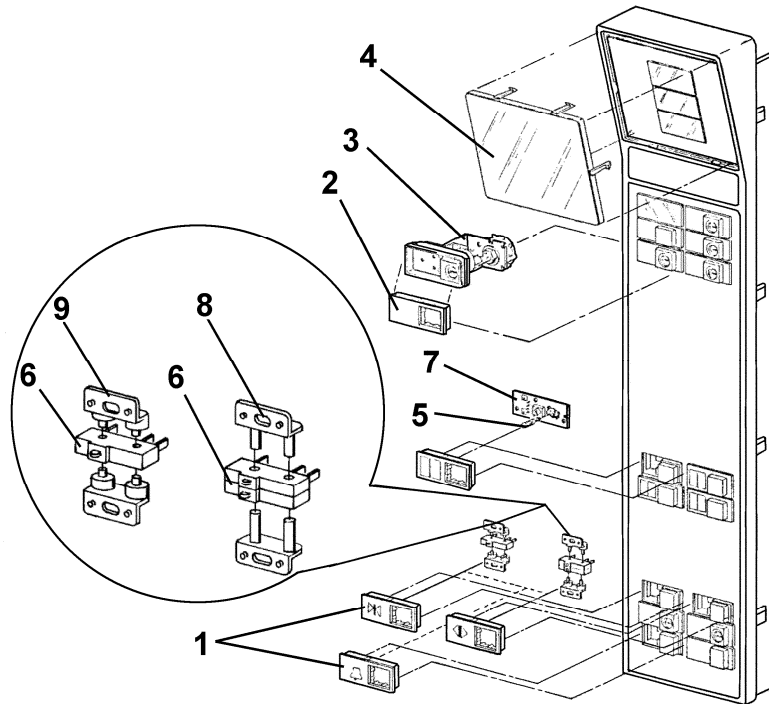
Name	Department
Ali Bozorgzadeh	OSC Service Engineering

About Spare Parts Leaflets...

This document lists the lowest replaceable units (LRUs) for the standard version of the product. The LRUs are chosen by a team of Otis associates representing engineering and manufacturing.

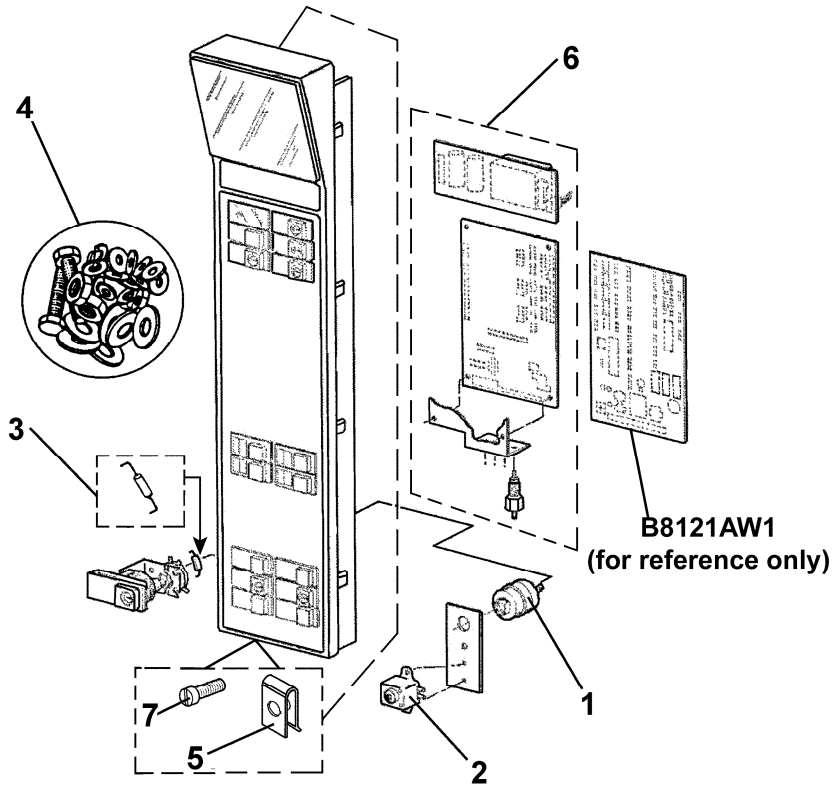
While goal of this document is to make parts identification as easy as possible, the document cannot be all-inclusive. Elevator and escalator contracts classified as "special" or "custom" are not addressed here. For such contracts, please refer to specified information, the contract folder, TIPS, Field Education Articles, Construction Letters, etc. for further information.

If you have any suggestions about this document, please contact the subject matter expert listed on this page.





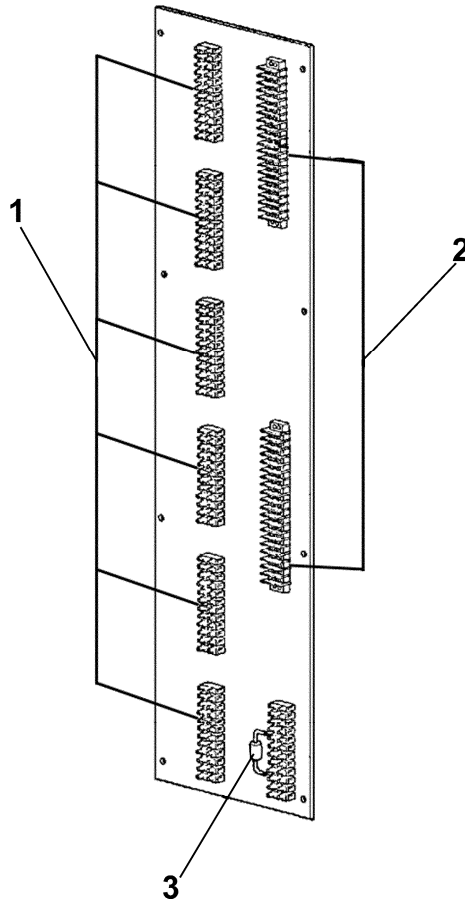
**W/O VINTAGE &
VINTAGE Y01**

REF. No.	PART No.	DESCRIPTION
1	---	Buttons, SPL 31-7069AF
2	---	Jewels, SPL 31-7069AG
3	---	Keyswitches, SPL 31-7069AH and SPL 31-AAA7069BH
4	443CH1	Lens, Green
5	424R1	Lamp, Incandescent
	AAA00625AAA001 AAA629AY1	LED, Yellow
	AAA00625AAA002 AAA629AY2	LED, Red
	AAA00625AAA003 AAA629AY3	LED, Orange
6	177DA1	Microswitch
7	8200KA2	PC Board, Incandescent Lamp
	8200KA3	PC Board, w/Orange L.E.D. (w/Jumper Wire JW1 & JW2)
	8200KA4	PC Board, w/Orange L.E.D. (w/Jumper Wire JW2)
8	180DA1	Switch-Holder, Double
9	180DA2	Switch-Holder, Single



**W/O VINTAGE
& VINTAGE Y01**

REF. No.	PART No.	DESCRIPTION
1	6219G1 A6219G1	Device, Audible Signal
2	6219F1 6219F2	Buzzer
3	P226BJ3 AAA226FH34	Capacitor, (for light & fan keyswitch)
4	2700CAL2	Kit, Miscellaneous Hardware & Standoffs
5	72BX6	Nut, Speed
6	B8121AW1	PC Board, Micro Computer (LRV3)
	ABA07900AAA001	Kit, Hydro Retrofit, Upgrade to LRV4,  Page 6 and  TIP 24.1-42
7	VP-855550	Screw, Tamper Resistant, 10-24 x 1 in. (oval head)

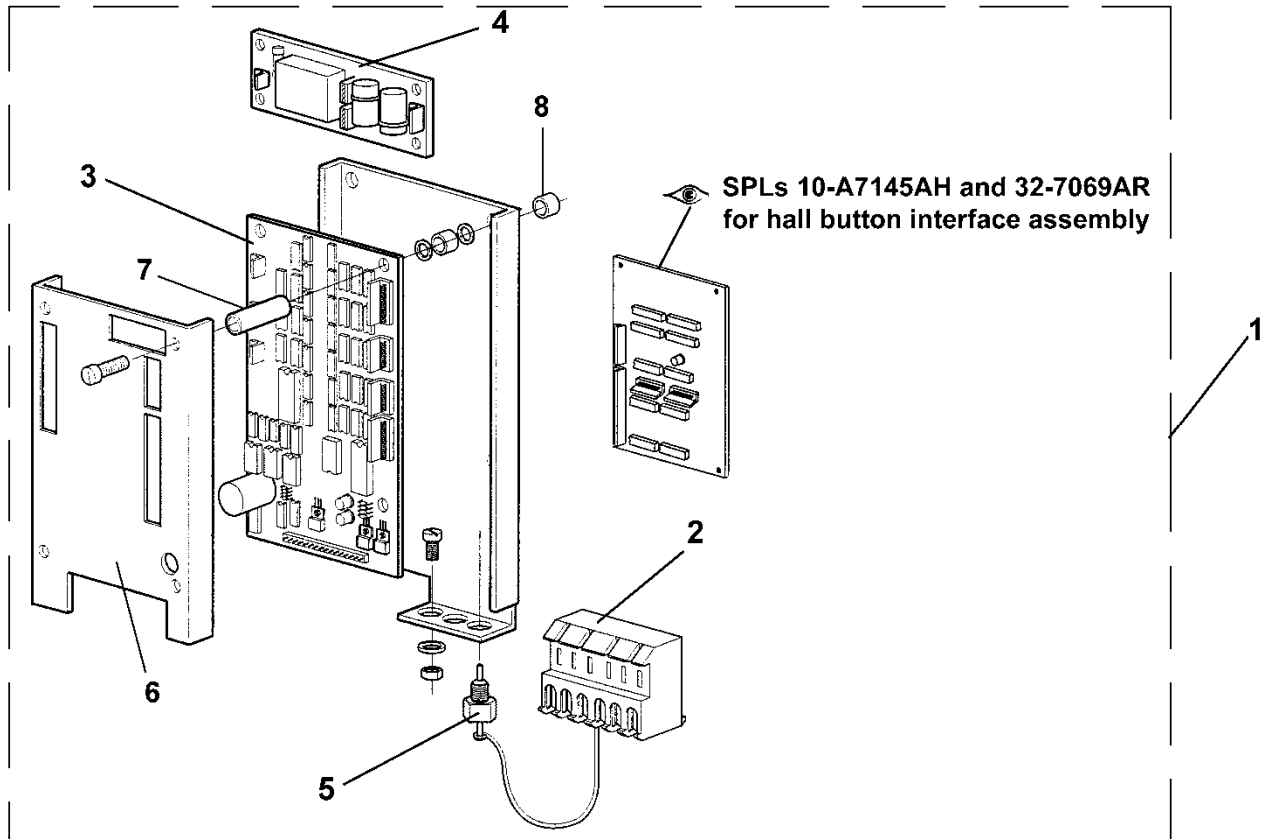


**W/O VINTAGE
& VINTAGE Y01**

REF. No.	PART No.	DESCRIPTION
1	303CN1	Block, Female Terminal
2	P303CG1	Block, Terminal, 20-Terminal
3	226EH2	Capacitor

31-7155T

Microcomputer PC Board & Retrofit Kit to LRV4



**W/O VINTAGE
& VINTAGE Y01**

REF. No.	PART No.	DESCRIPTION
1	ABA07900AAA001	Assembly, Retrofit Kit (upgrade to LRV4), NOTE
2	AAA00176AAD007	Connector
3	A8121DB4 B8121DB4 C8121DB1	PC Board, Micro Computer (w/o REM)
	D8121DB4 E8121DB1	PC Board, Micro Computer (w/REM)
4	B8121BA2	PC Board, Power Supply
5	P605G1	Suppressor
6	A386CAC3	Plate, Cover, use w/ E8121DB1
7	354AG11	Standoff, 1.0 in. L, use w/ A386CAC3
8	354AG6	Standoff, 1/4 in. L, use w/ A386CAC3

NOTE: For detailed instructions of using the retrofit kit, TIP 24.1-42.